

US00D492506S1

(12) **United States Design Patent**
Mendini

(10) **Patent No.:** **US D492,506 S**

(45) **Date of Patent:** **** Jul. 6, 2004**

(54) **DISPLAY STAND FOR WATCHES**

D367,372 S * 2/1996 Eng et al. D6/396
D375,211 S * 11/1996 Mizzi D6/397
D464,503 S * 10/2002 Novikoff D6/426

(75) **Inventor:** **Francesco Mendini, Milan (IT)**

* cited by examiner

(73) **Assignee:** **Swatch AG, Bienne (CH)**

Primary Examiner—Cathron C. Brooks

(**) **Term:** **14 Years**

(74) *Attorney, Agent, or Firm*—Collen IP; Donald J. Ranft

(21) **Appl. No.:** **29/165,218**

(22) **Filed:** **Aug. 7, 2002**

(57) **CLAIM**

The ornamental design for a display stand for watches, as shown and described.

(30) **Foreign Application Priority Data**

Feb. 8, 2002 (WO) DM/058 855

DESCRIPTION

(51) **LOC (7) Cl.** **06-04**

FIG. 1 is a back view of my new and ornamental design for a display stand for watches

(52) **U.S. Cl.** **D6/436**

FIG. 2 is a front view thereof;

(58) **Field of Search** D6/396, 397, 630,
D6/449, 465, 468, 474, 499, 476-479, 510,
511, 436; 108/59-61, 91-93, 147.11, 158.11;
211/42, 43, 49.1, 85.26, 133.2, 134, 181.1,
182, 188, 203; 312/7.2

FIG. 3 is a top view thereof;

FIG. 4 is a bottom view thereof;

FIG. 5 is a perspective back view thereof, shown in an alternate position; and,

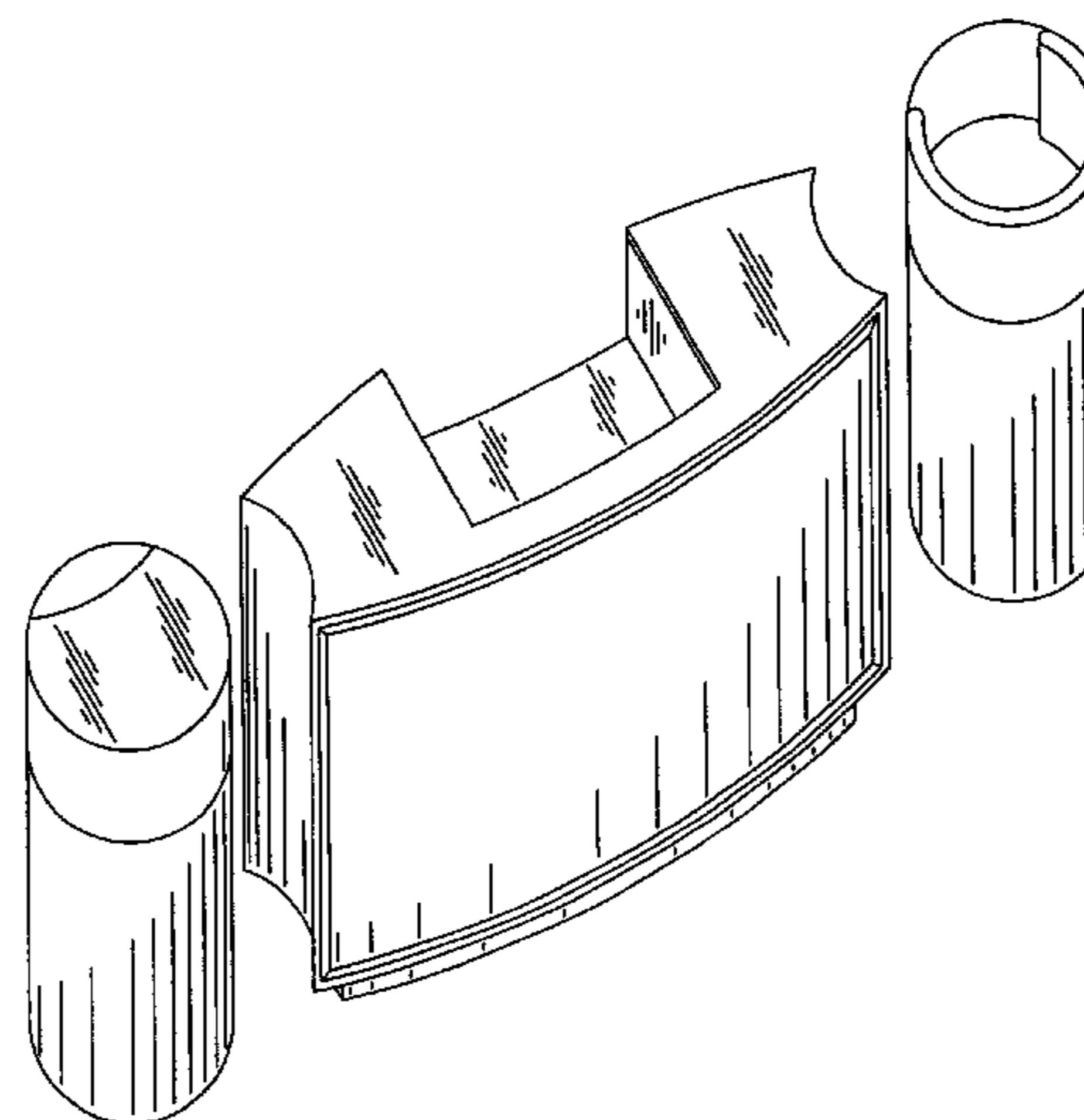
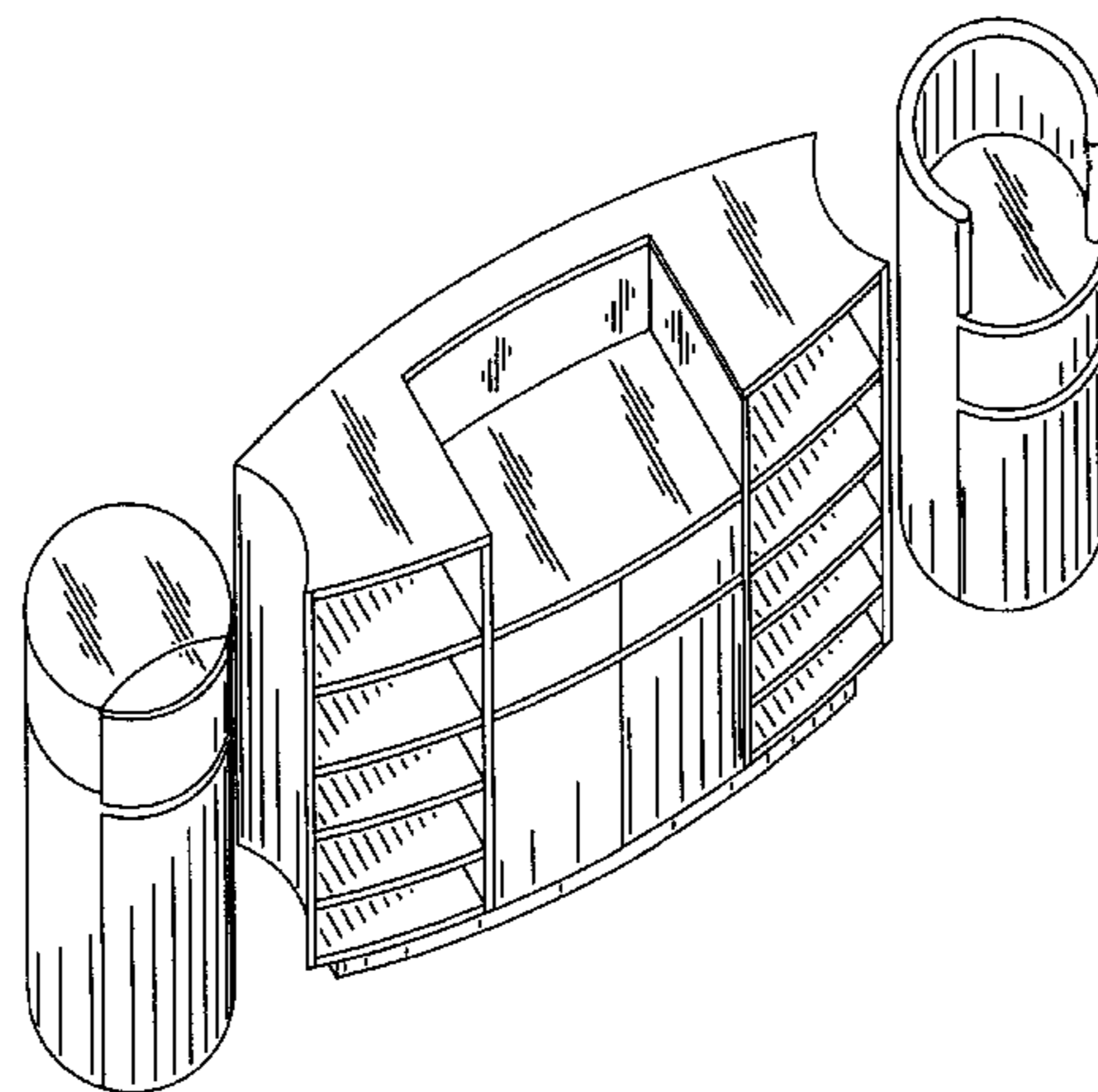
FIG. 6 is a perspective front view thereof, shown in an alternate position.

(56) **References Cited**

U.S. PATENT DOCUMENTS

2,675,924 A * 4/1954 Jegen 108/96

1 Claim, 2 Drawing Sheets



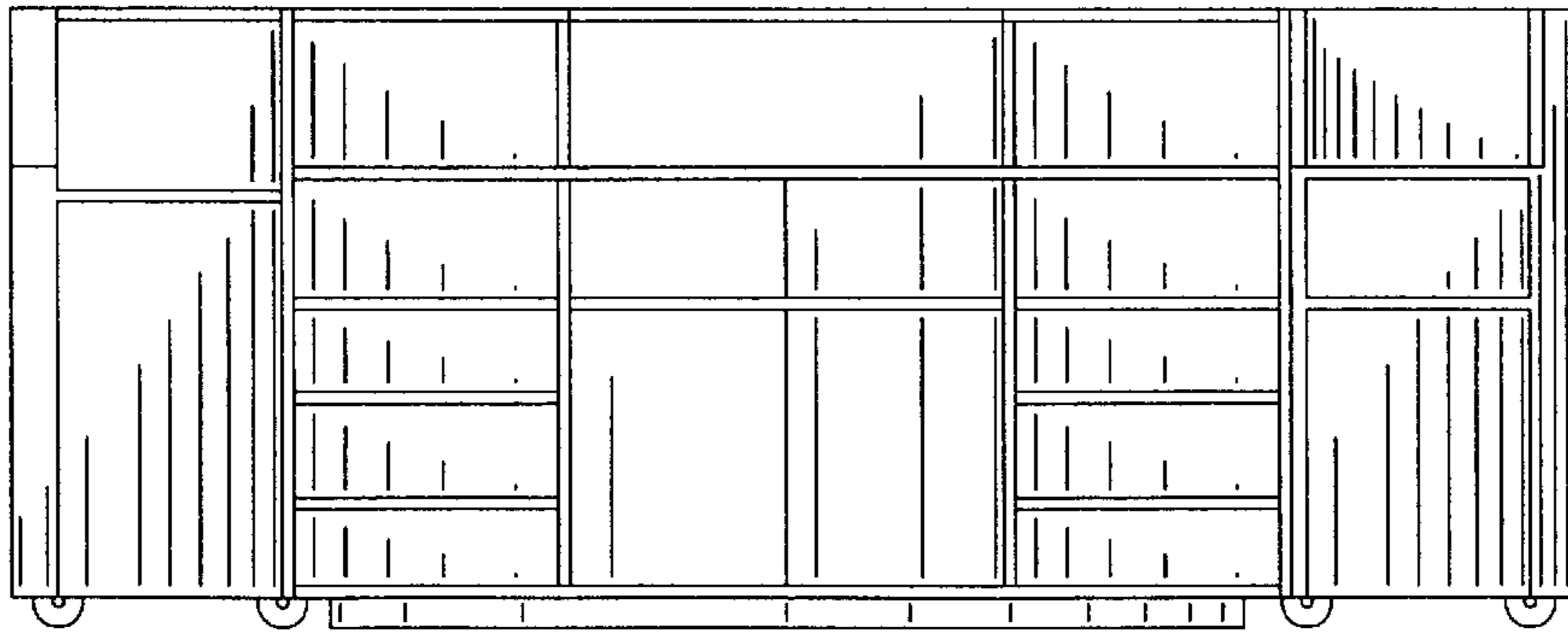


FIG. 1

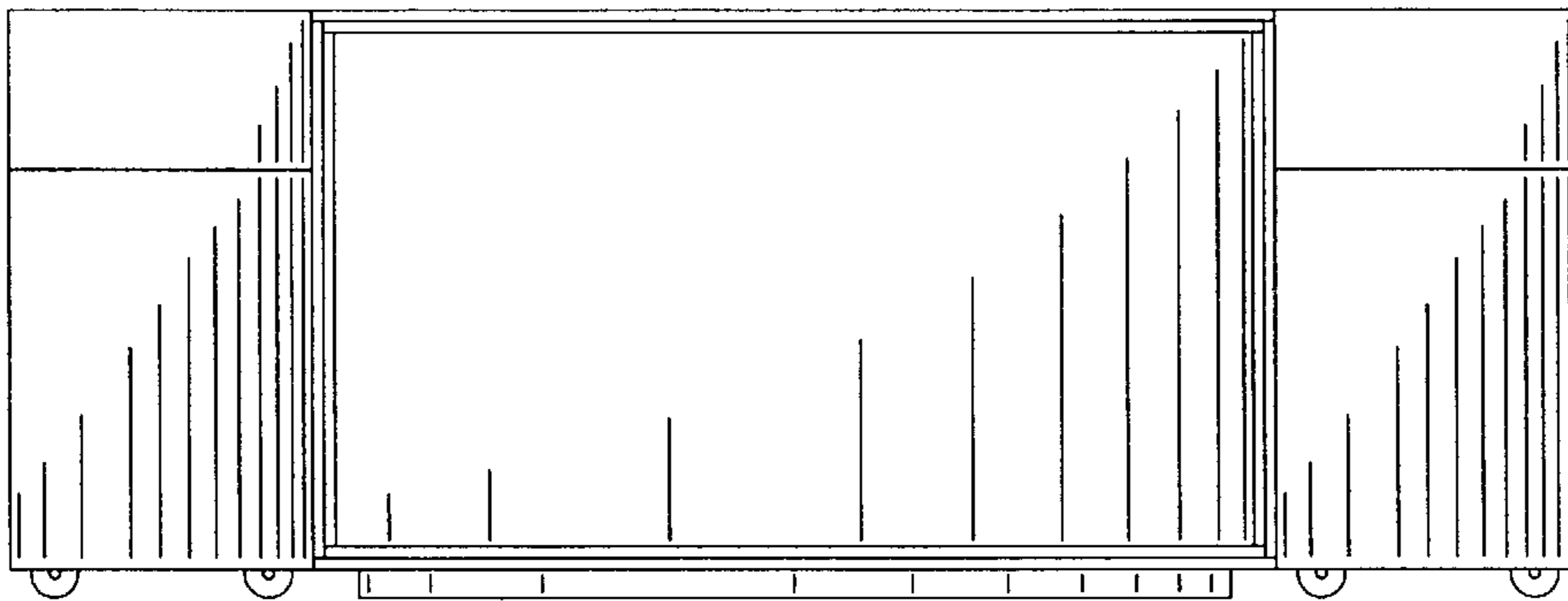


FIG. 2

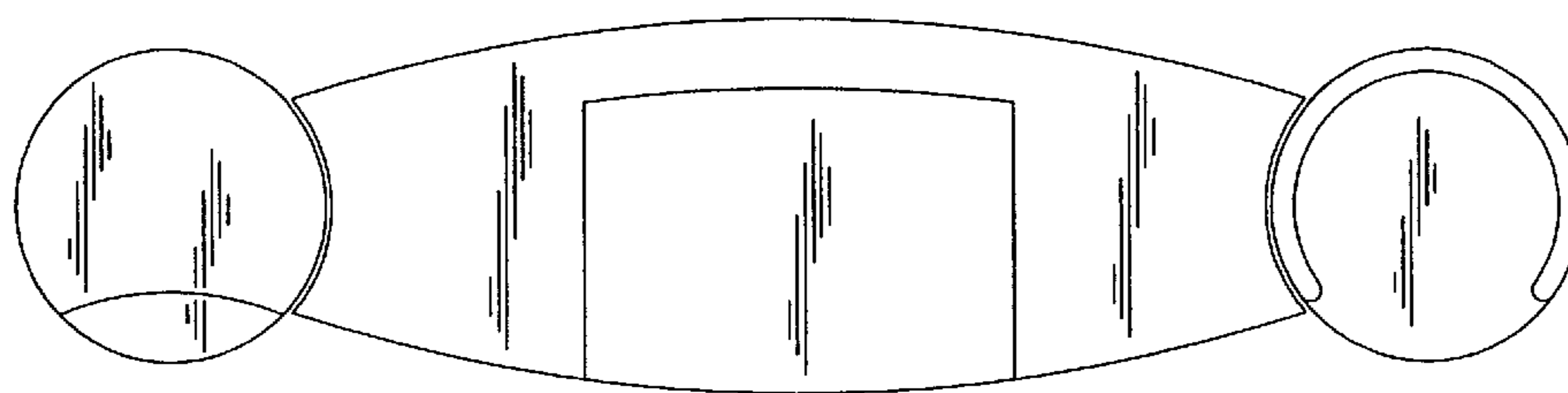


FIG. 3

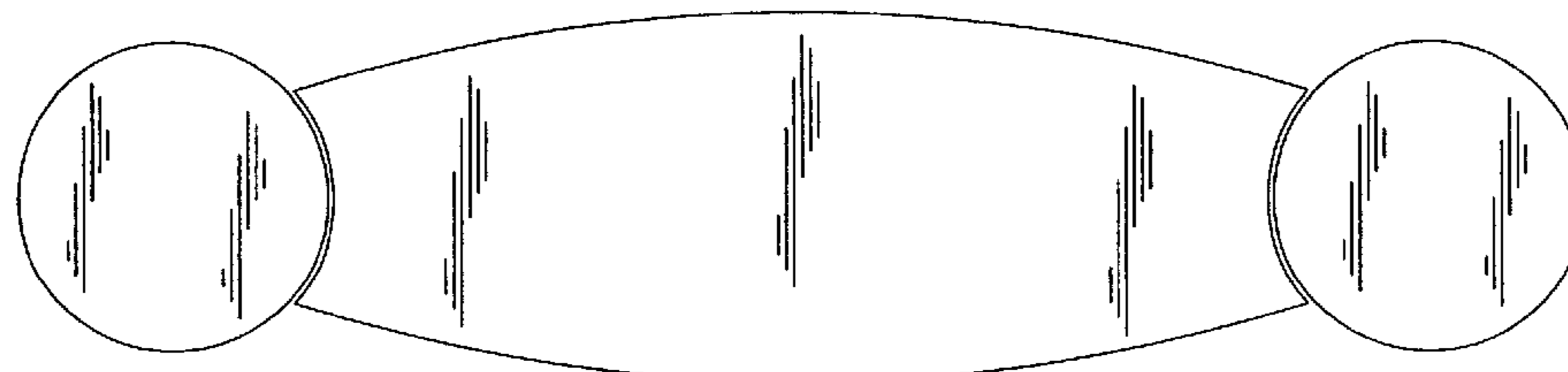


FIG. 4

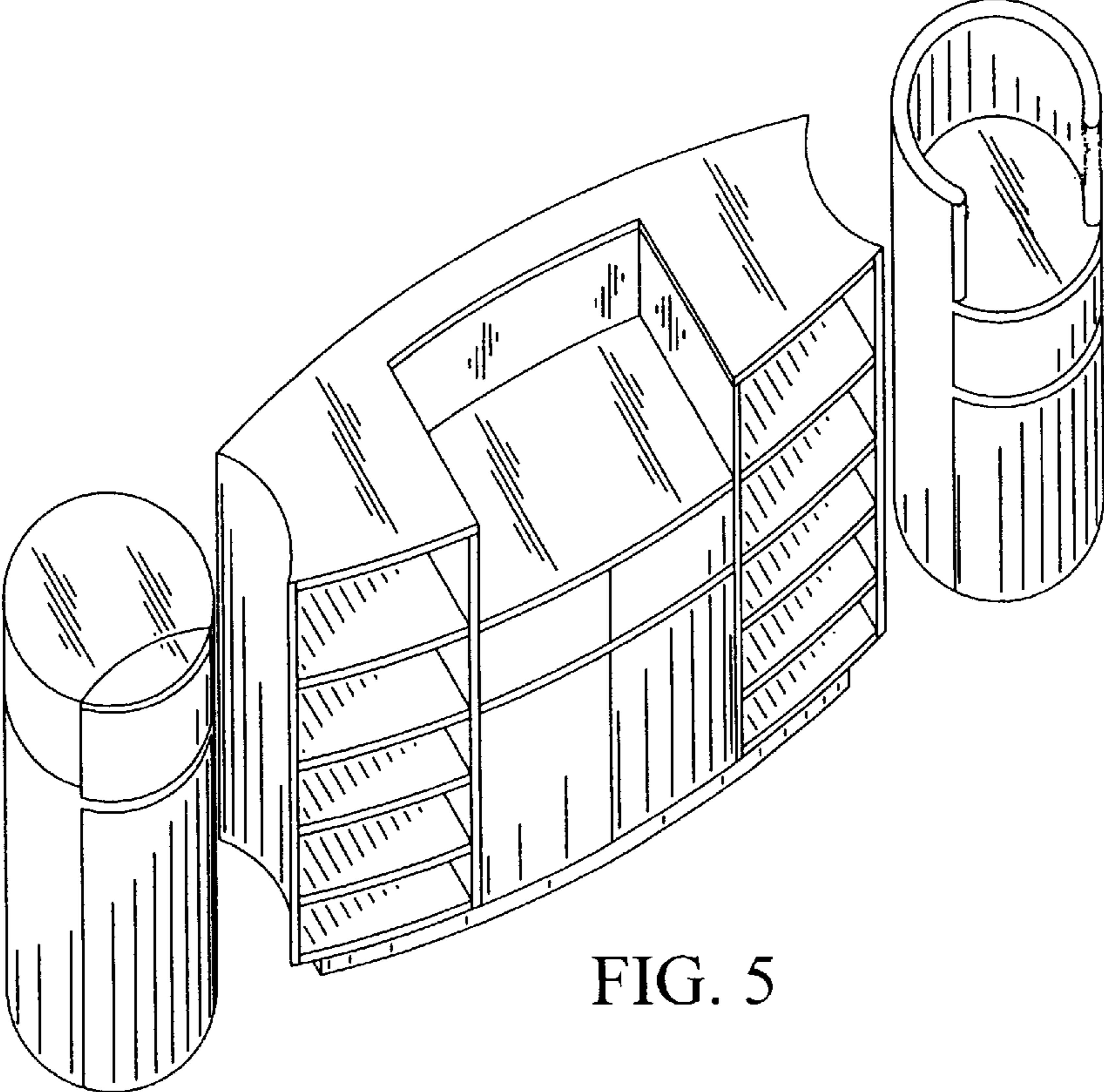


FIG. 5

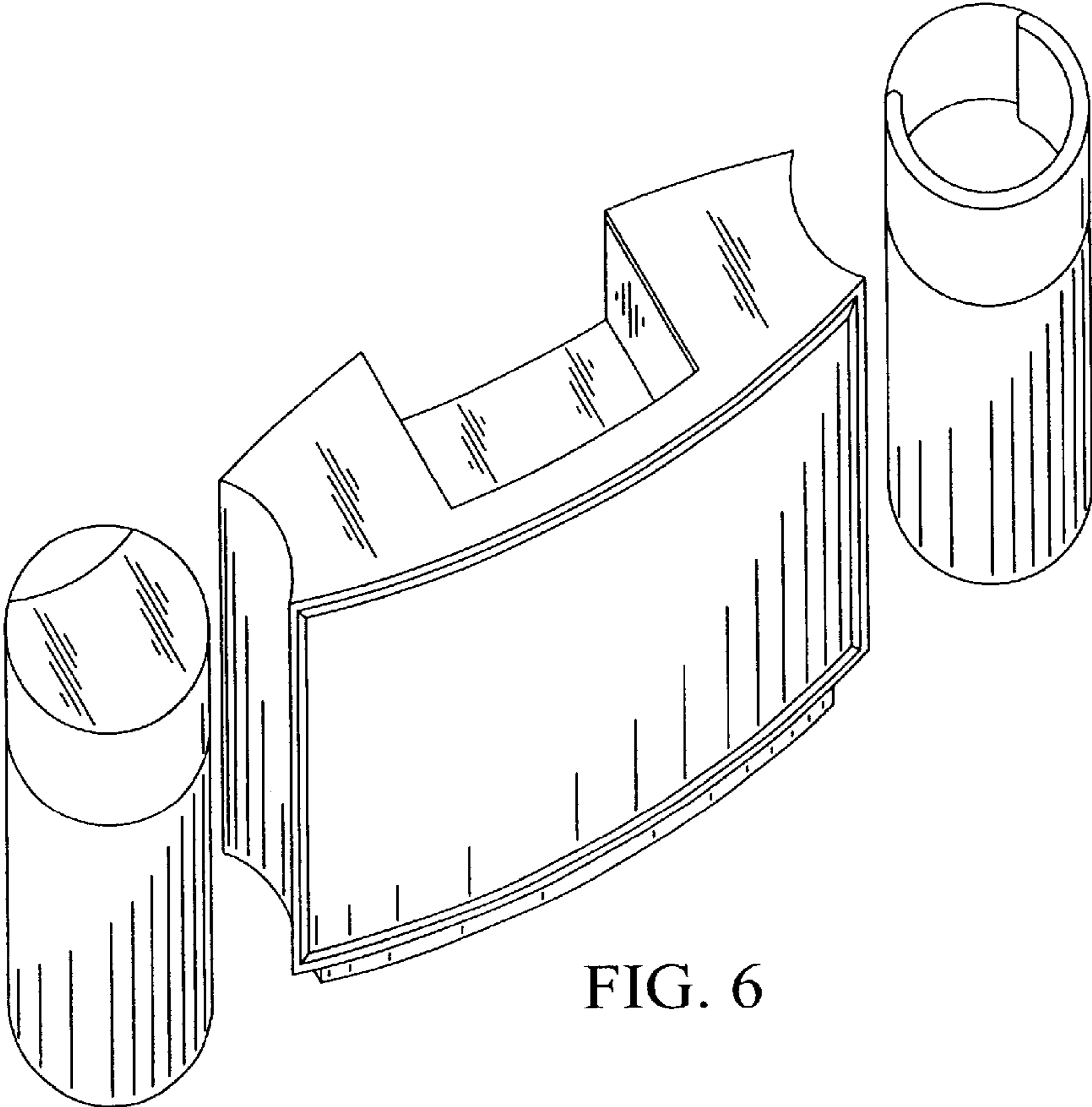


FIG. 6