

US00D492504S1

(12) **United States Design Patent**
Gower

(10) **Patent No.:** **US D492,504 S**
(45) **Date of Patent:** **** Jul. 6, 2004**

(54) **FURNITURE UNIT**

(74) *Attorney, Agent, or Firm—Design IP*

(76) **Inventor:** **Andrew Gower**, 2430 Fifth St., Unit-F,
Berkeley, CA (US) 94710

(57) **CLAIM**

The ornamental design for a furniture unit, as shown and described.

(**) **Term:** **14 Years**

(21) **Appl. No.:** **29/183,351**

DESCRIPTION

(22) **Filed:** **Jun. 11, 2003**

FIG. 1 is an isometric view of an ornamental design of a first embodiment of a furniture unit showing my new design.

(51) **LOC (7) Cl.** **06-03**

FIG. 2 is a front orthographic view thereof.

(52) **U.S. Cl.** **D6/421**

FIG. 3 is a rear orthographic view thereof.

(58) **Field of Search** D6/421, 422, 423,
D6/482, 511, 485, 332; 108/50.01, 50.02,
60; 312/194–196, 238, 239; 52/36.1, 239

FIG. 4 is a right side orthographic view thereof, the left side being a mirror image.

(56) **References Cited**

FIG. 5 is a top orthographic view thereof.

U.S. PATENT DOCUMENTS

FIG. 6 is an isometric view of a second embodiment of a furniture unit showing my new design; and,

D359,632 S * 6/1995 Bubb D6/421

FIG. 7 is an isometric view of a third embodiment of a furniture unit showing my new design.

D359,633 S * 6/1995 Bubb D6/421

D392,475 S * 3/1998 Kelly D6/421

2002/0092443 A1 * 7/2002 Grant 108/60

The broken lines shown in FIGS. 1–3 and 5–7 are included for the purpose of illustrating environment elements only and form no part of the claimed design.

OTHER PUBLICATIONS

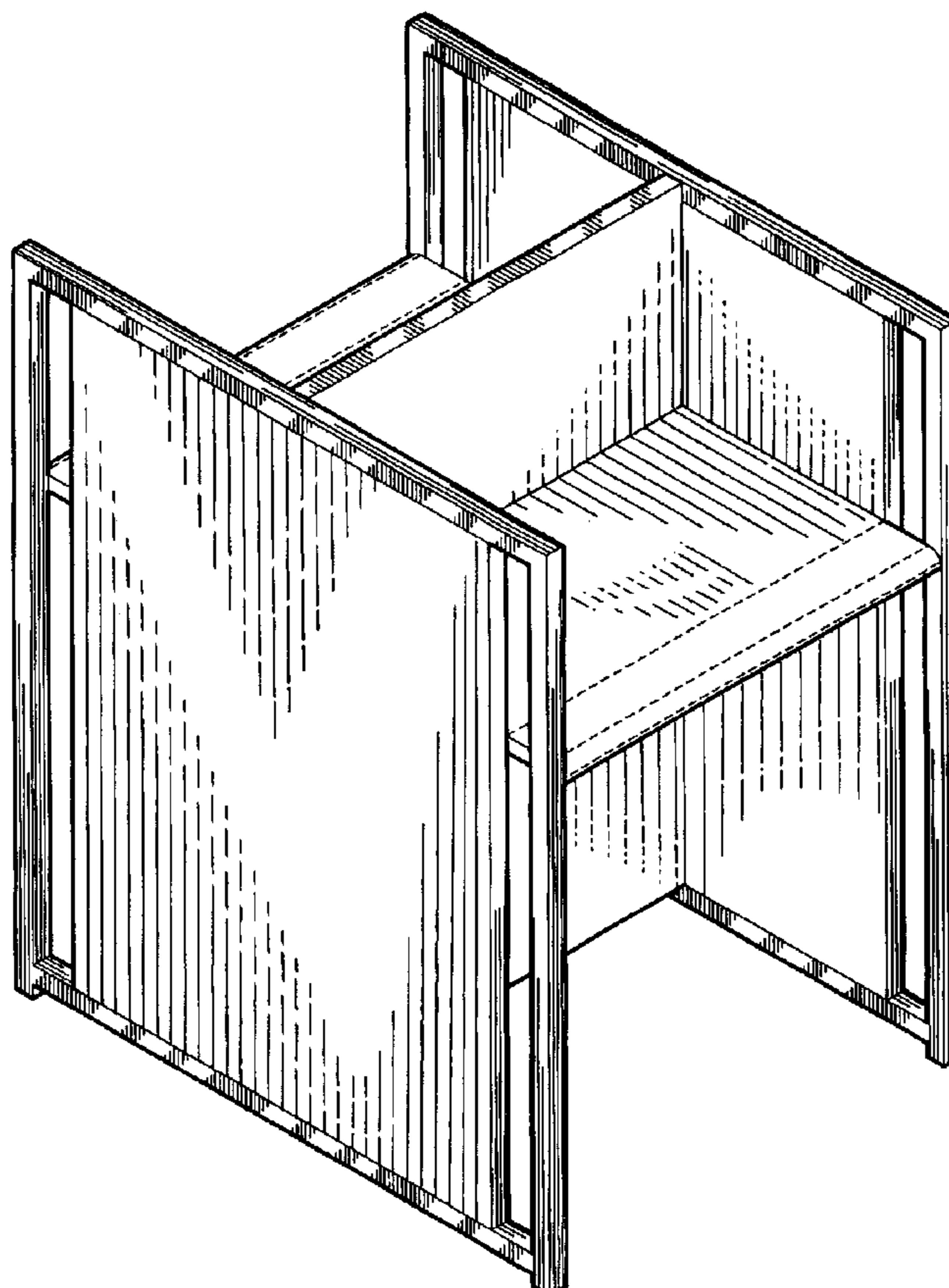
The bottom view is omitted and forms no part of the claimed design.

Gaylord, Feb. 1992, p. 12, workstation at top right.*

* cited by examiner

Primary Examiner—Janice Seeger

1 Claim, 7 Drawing Sheets



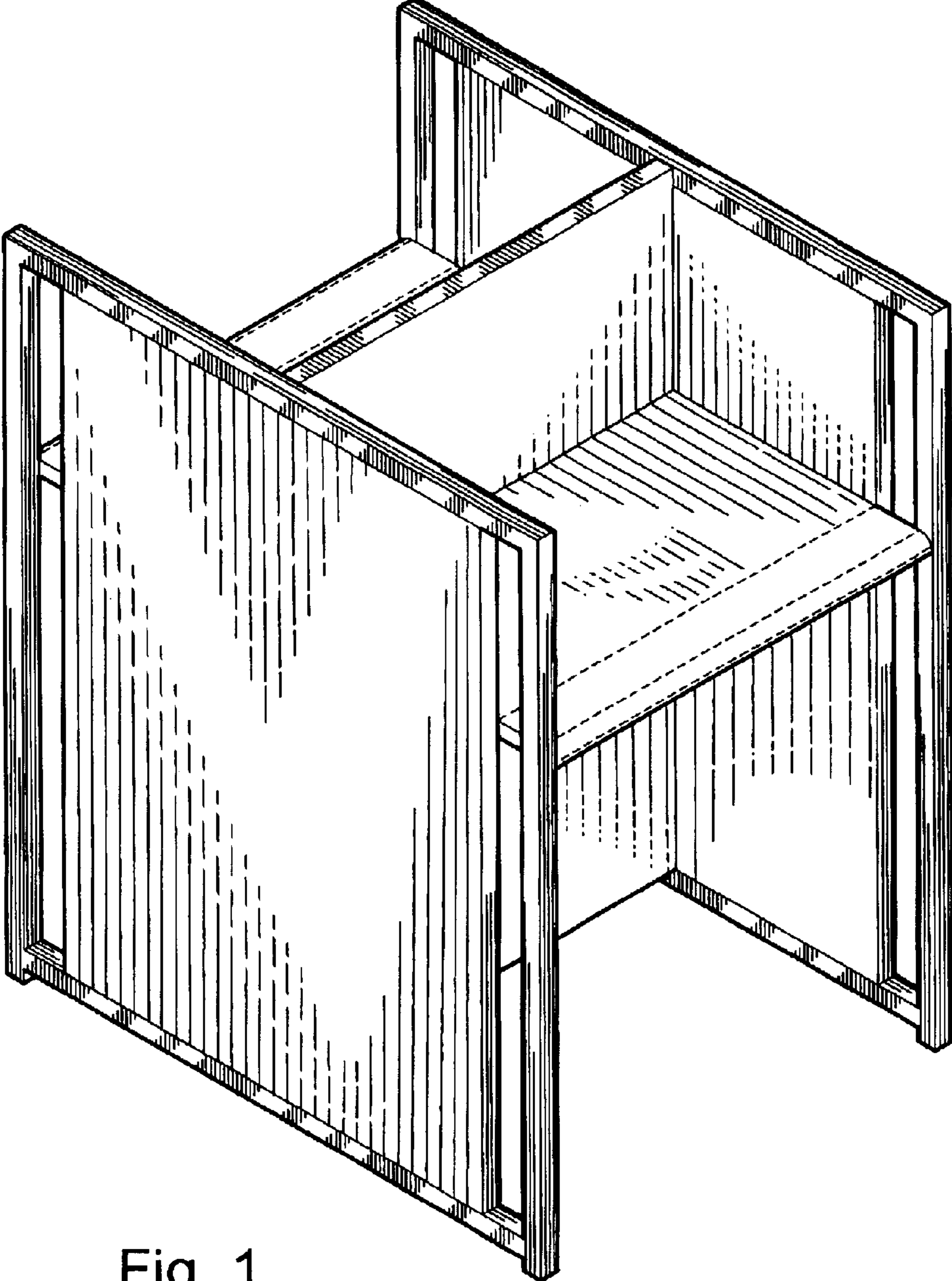


Fig. 1

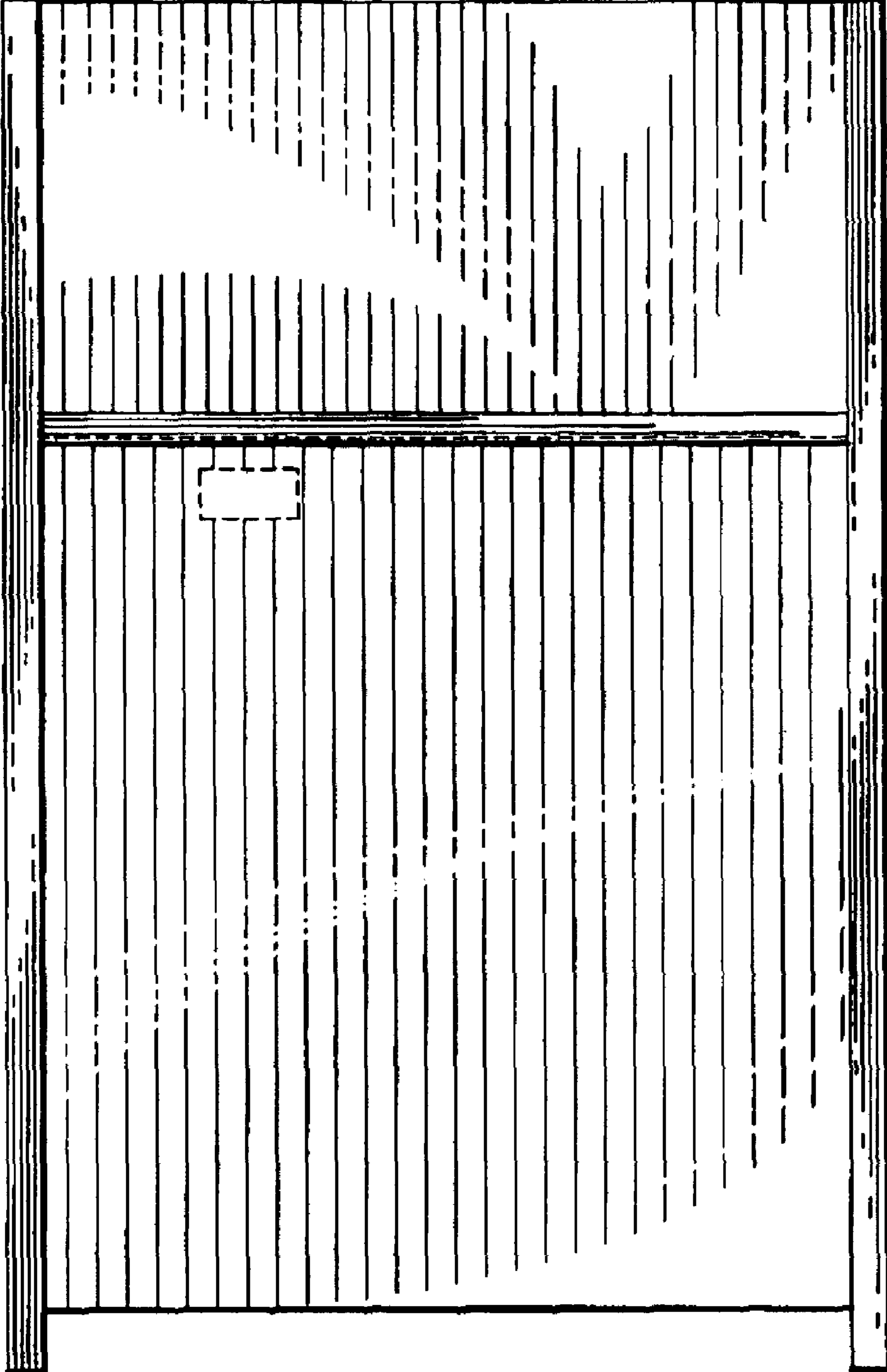


Fig. 2

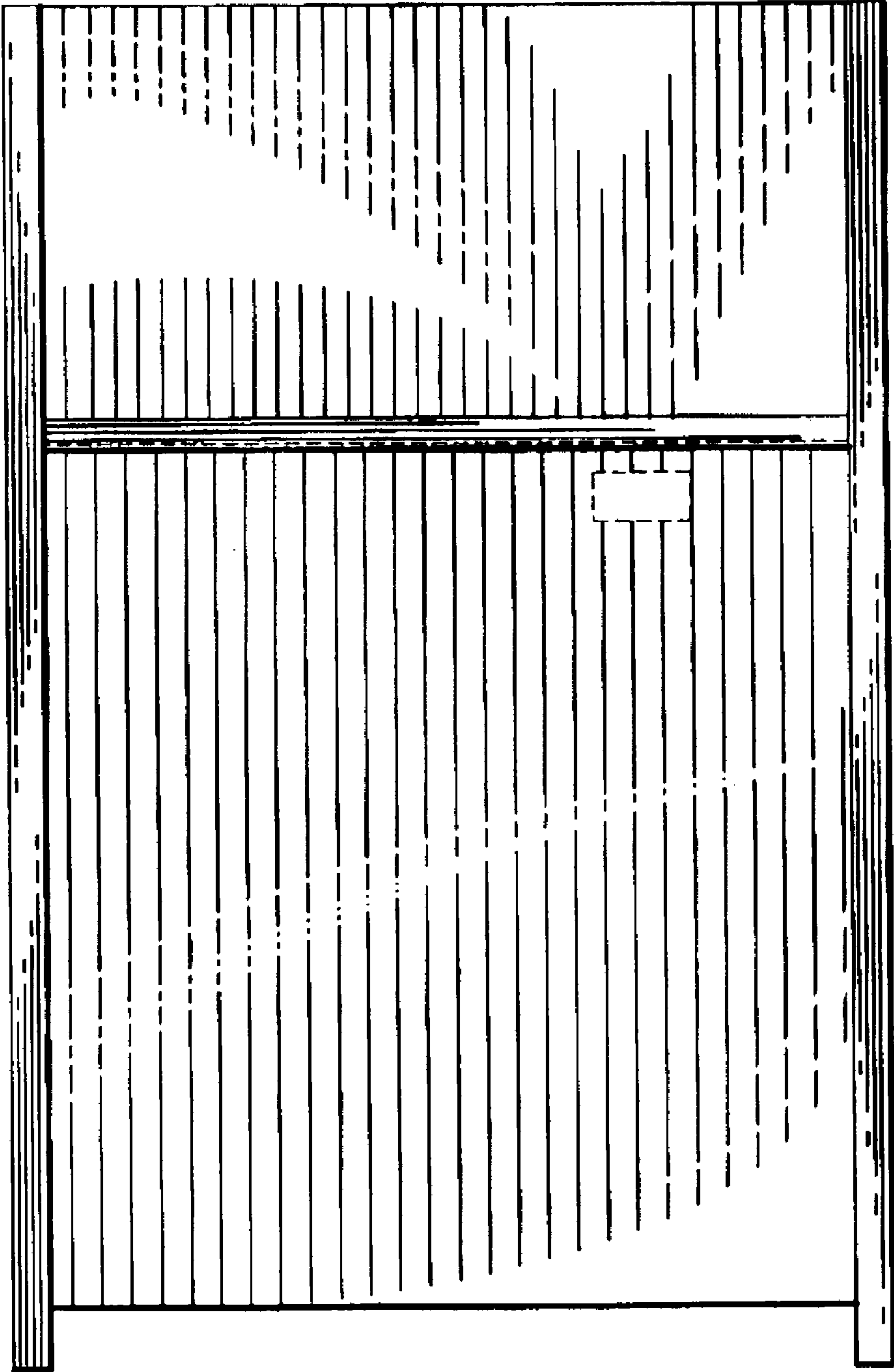


Fig. 3

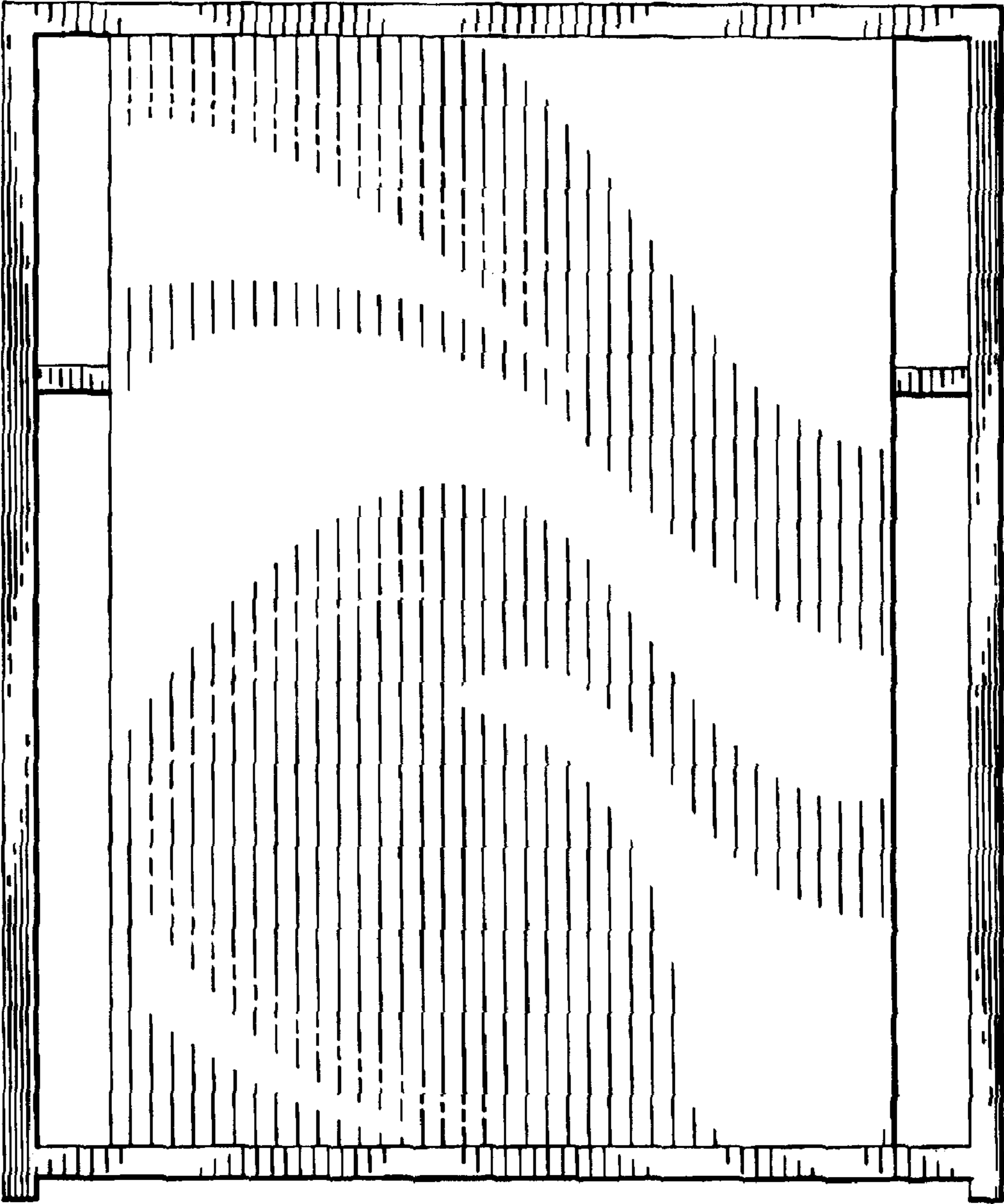


Fig. 4

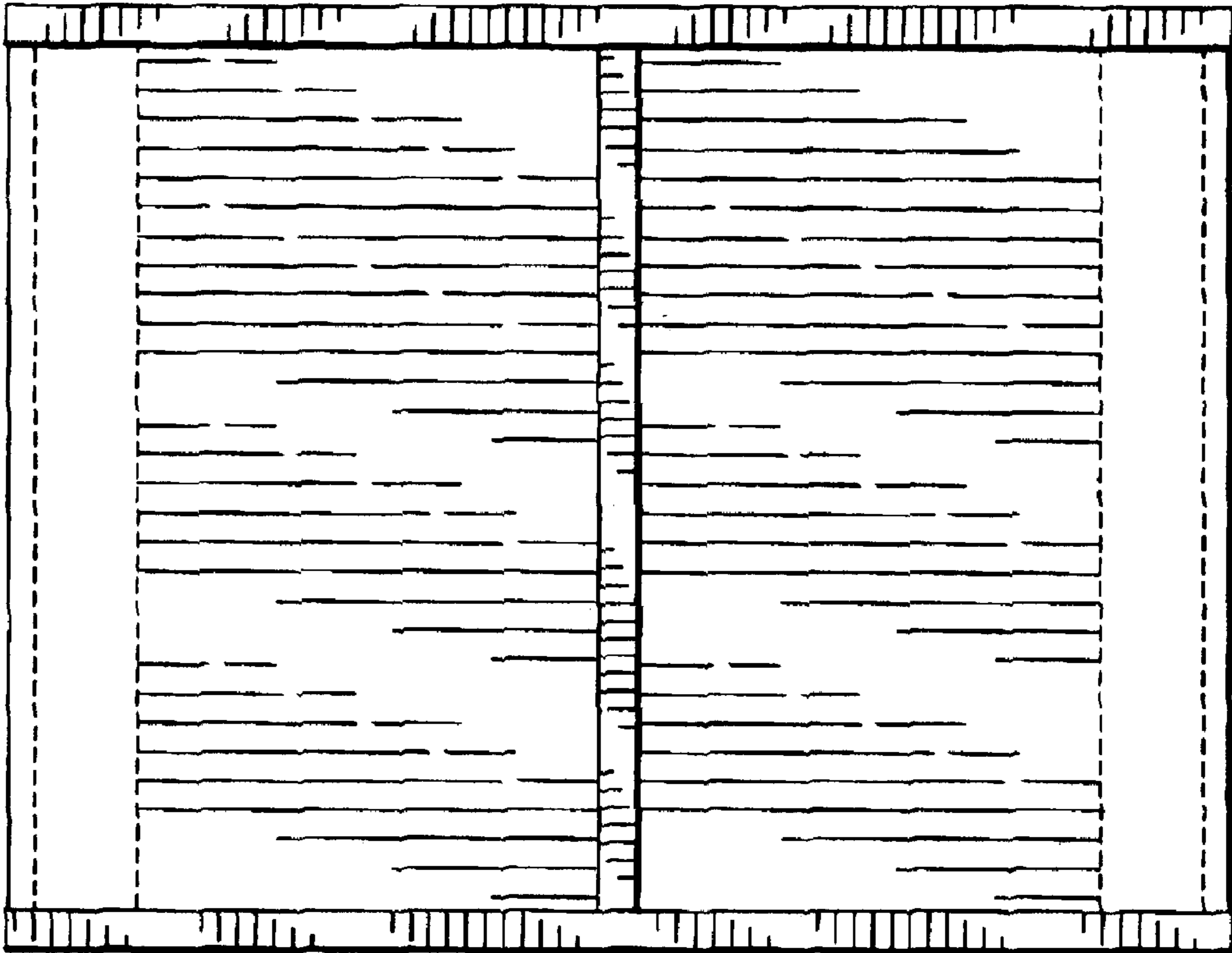


Fig. 5

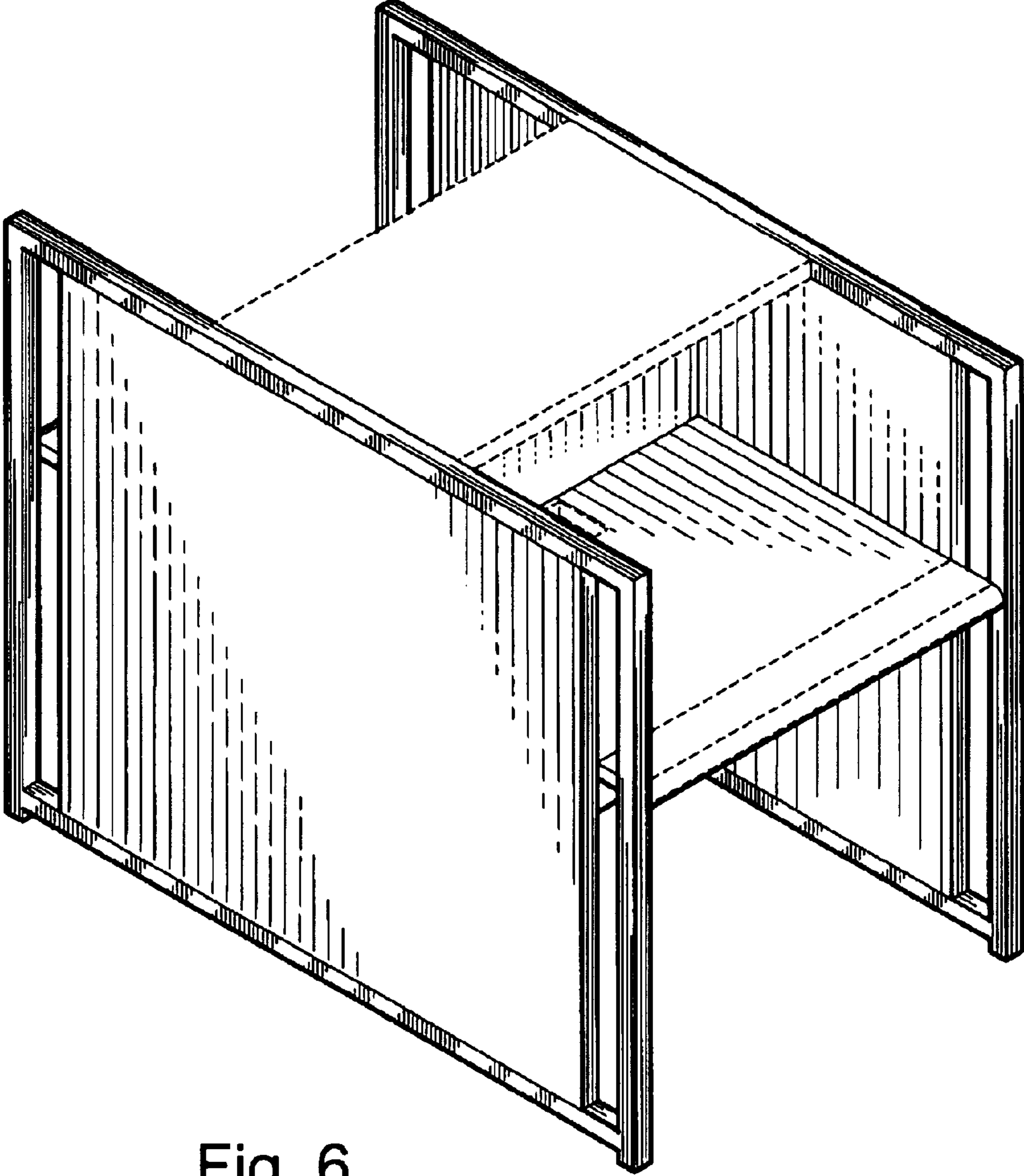


Fig. 6

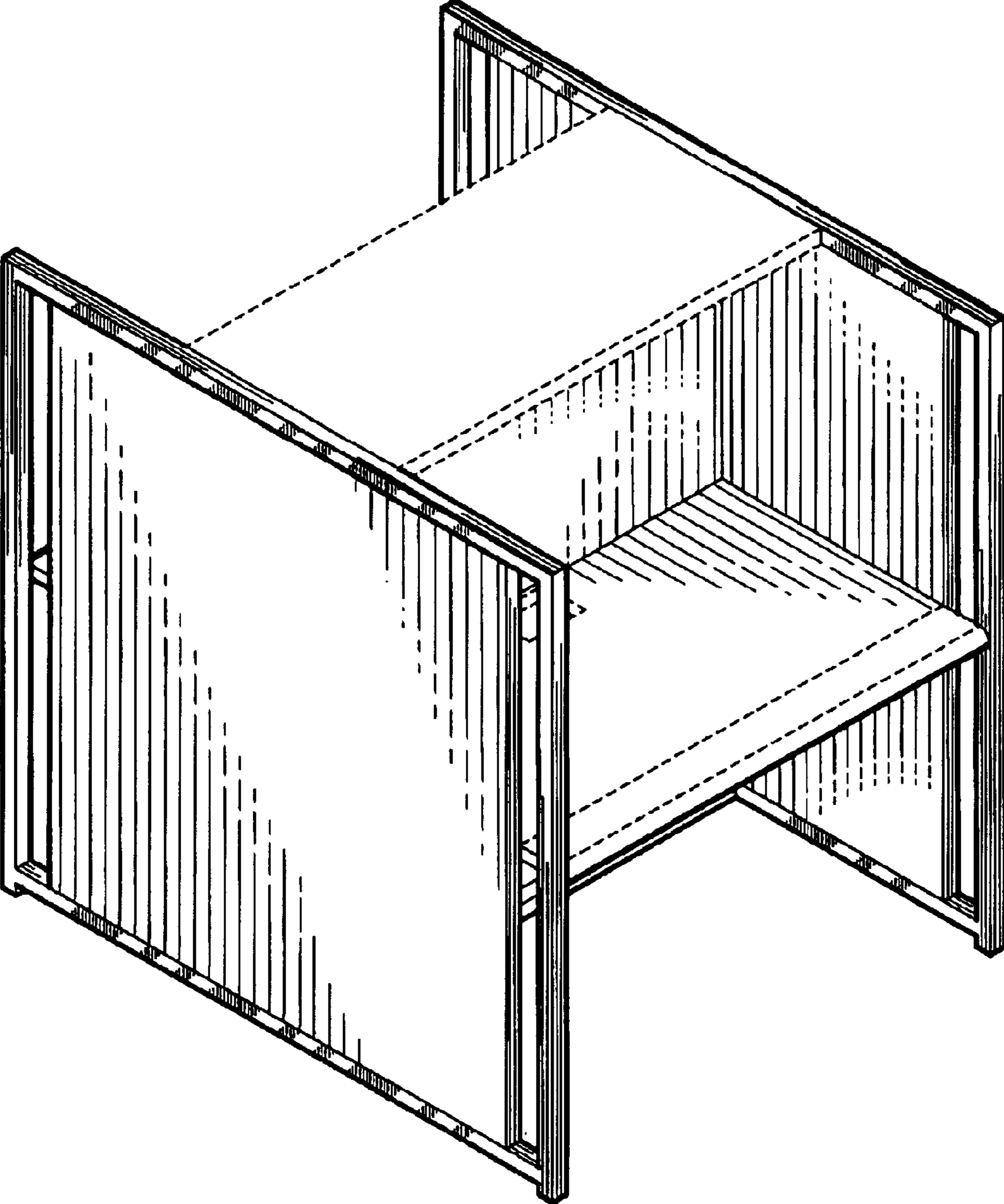


Fig. 7