

US00D492499S1

(12) **United States Design Patent**  
**Relling et al.**

(10) **Patent No.:** **US D492,499 S**  
(45) **Date of Patent:** **\*\* Jul. 6, 2004**

(54) **SEATING UNIT**

(75) Inventors: **Harald Relling**, Ikornnes (NO); **Jan Lade**, Ikornnes (NO)

(73) Assignee: **Ekornes ASA**, Ikornnes (NO)

(\*\*) Term: **14 Years**

(21) Appl. No.: **29/168,772**

(22) Filed: **Oct. 7, 2002**

(30) **Foreign Application Priority Data**

Oct. 1, 2002 (NO) ..... 2002 0632

(51) **LOC (7) Cl.** ..... **06-01**

(52) **U.S. Cl.** ..... **D6/381; D6/334**

(58) **Field of Search** ..... D6/334, 335, 336,  
D6/367, 371, 373, 381, 500, 501, 502,  
495; 5/12.1; 297/232, DIG. 7

(56) **References Cited**

**U.S. PATENT DOCUMENTS**

D224,766 S \* 9/1972 Rowland ..... D6/371  
3,700,282 A \* 10/1972 Rowland ..... D6/371  
4,343,509 A \* 8/1982 Lundgren ..... 297/232

D390,019 S \* 2/1998 Lee ..... D6/334  
D401,078 S \* 11/1998 Relling ..... D6/381  
D442,375 S \* 5/2001 Stammberger ..... D6/335  
D474,905 S \* 5/2003 Ricci ..... D6/381

\* cited by examiner

*Primary Examiner*—Gary D. Watson

(74) *Attorney, Agent, or Firm*—Kolisch Hartwell PC

(57) **CLAIM**

The ornamental design for a seating unit, as shown and described.

**DESCRIPTION**

FIG. 1 is a perspective view of one embodiment of the seating unit of the present invention.

FIG. 2 is a back view of the embodiment of FIG. 1.

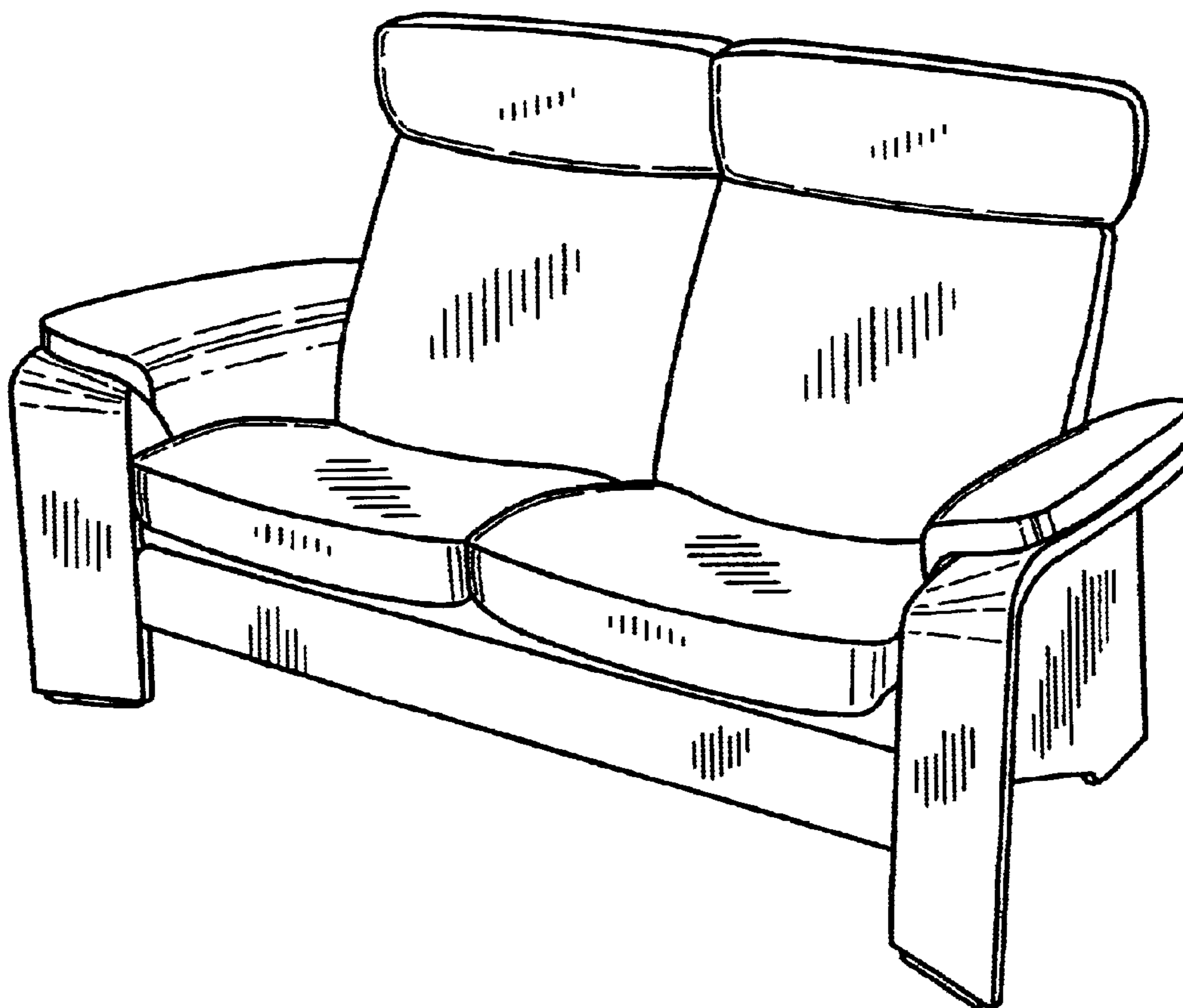
FIG. 3 is a side view of yet another embodiment of the seating unit of the present invention.

FIG. 4 is a side view of the embodiment of FIG. 3, with a backrest shown at a different angle of inclination.

FIG. 5 is a perspective view of the embodiment of FIGS. 3 and 4; and,

FIG. 6 is a back perspective view of the embodiment of FIGS. 3-5.

**1 Claim, 2 Drawing Sheets**



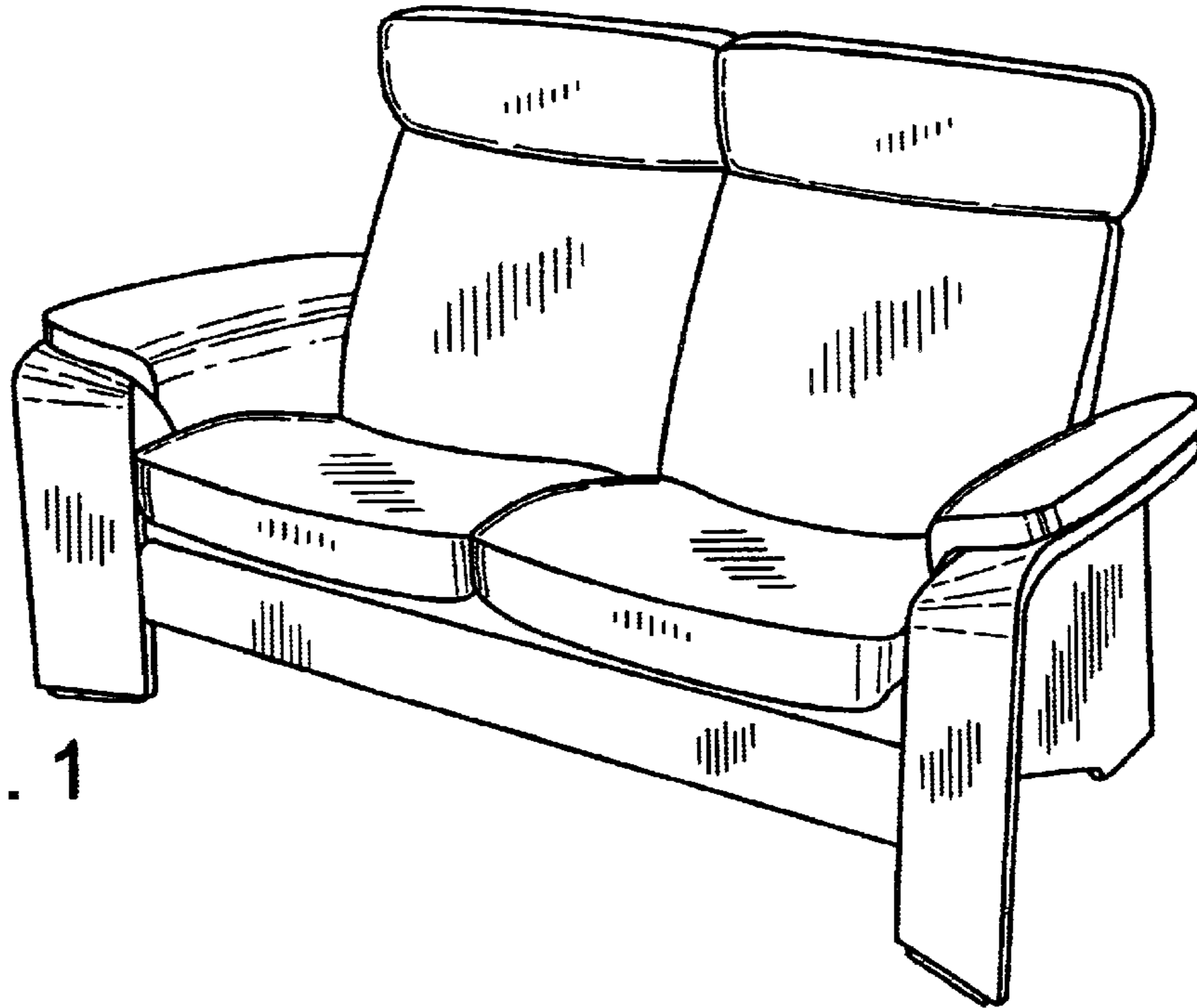


Fig. 1

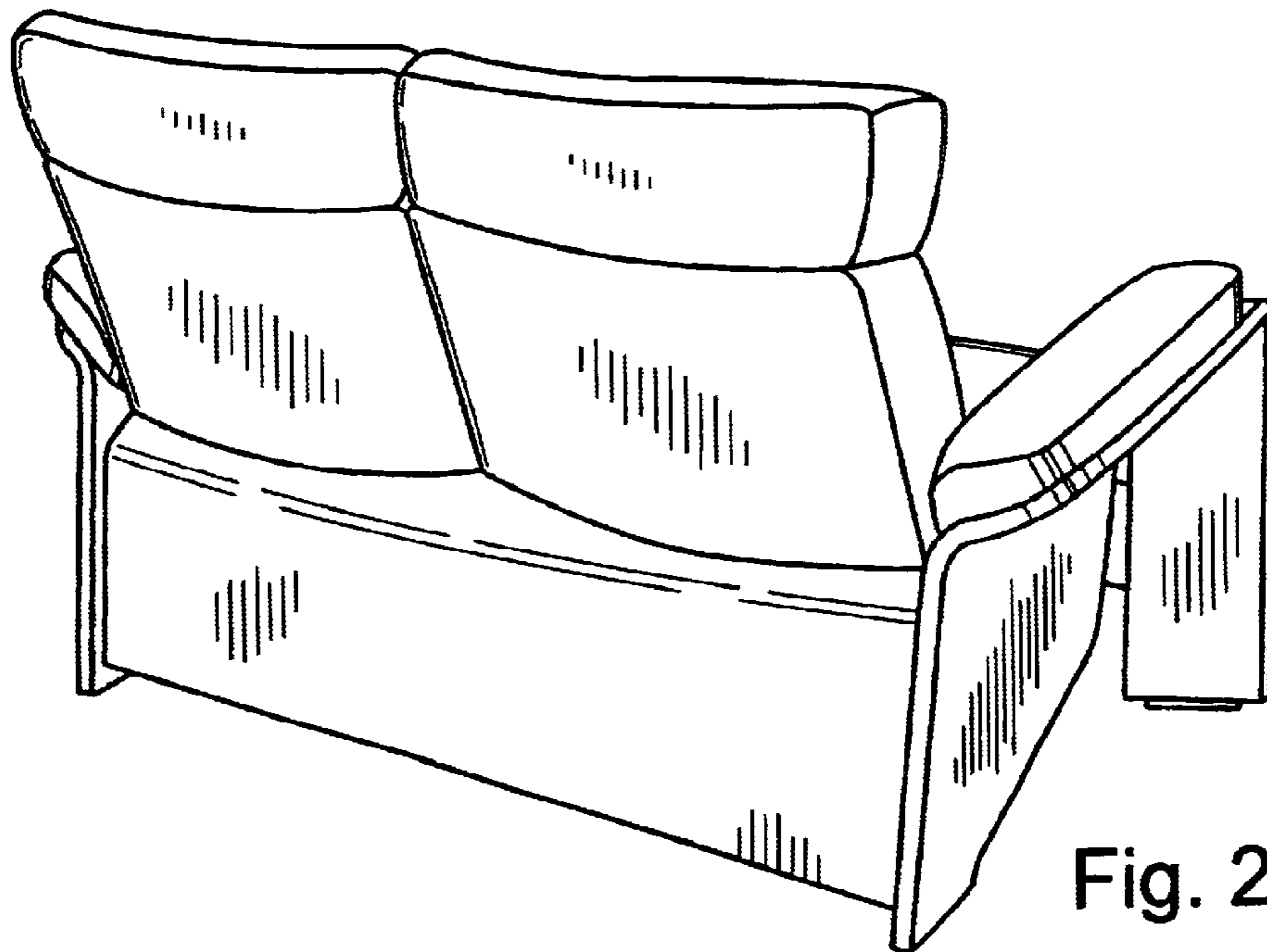


Fig. 2

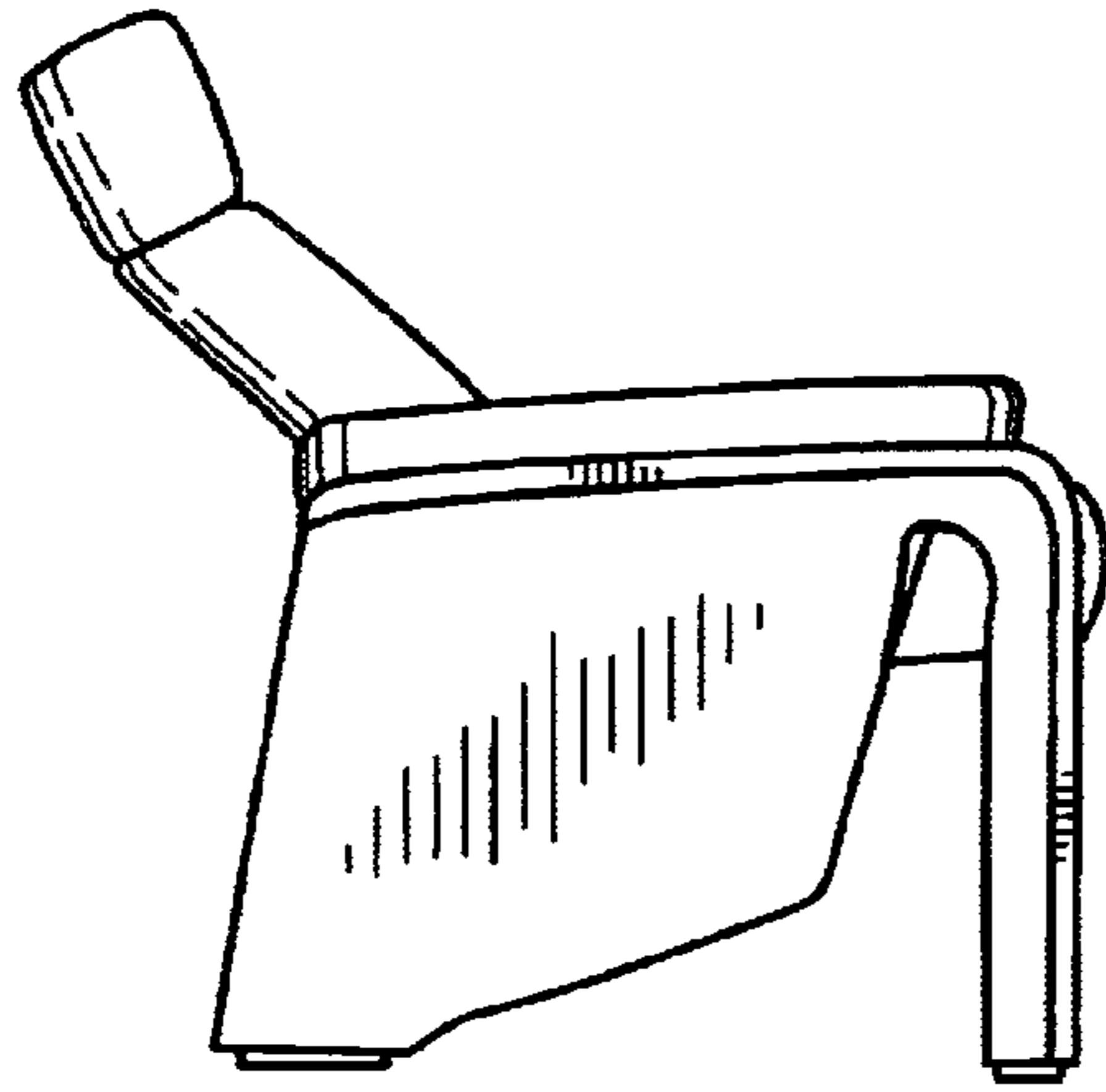


Fig. 3

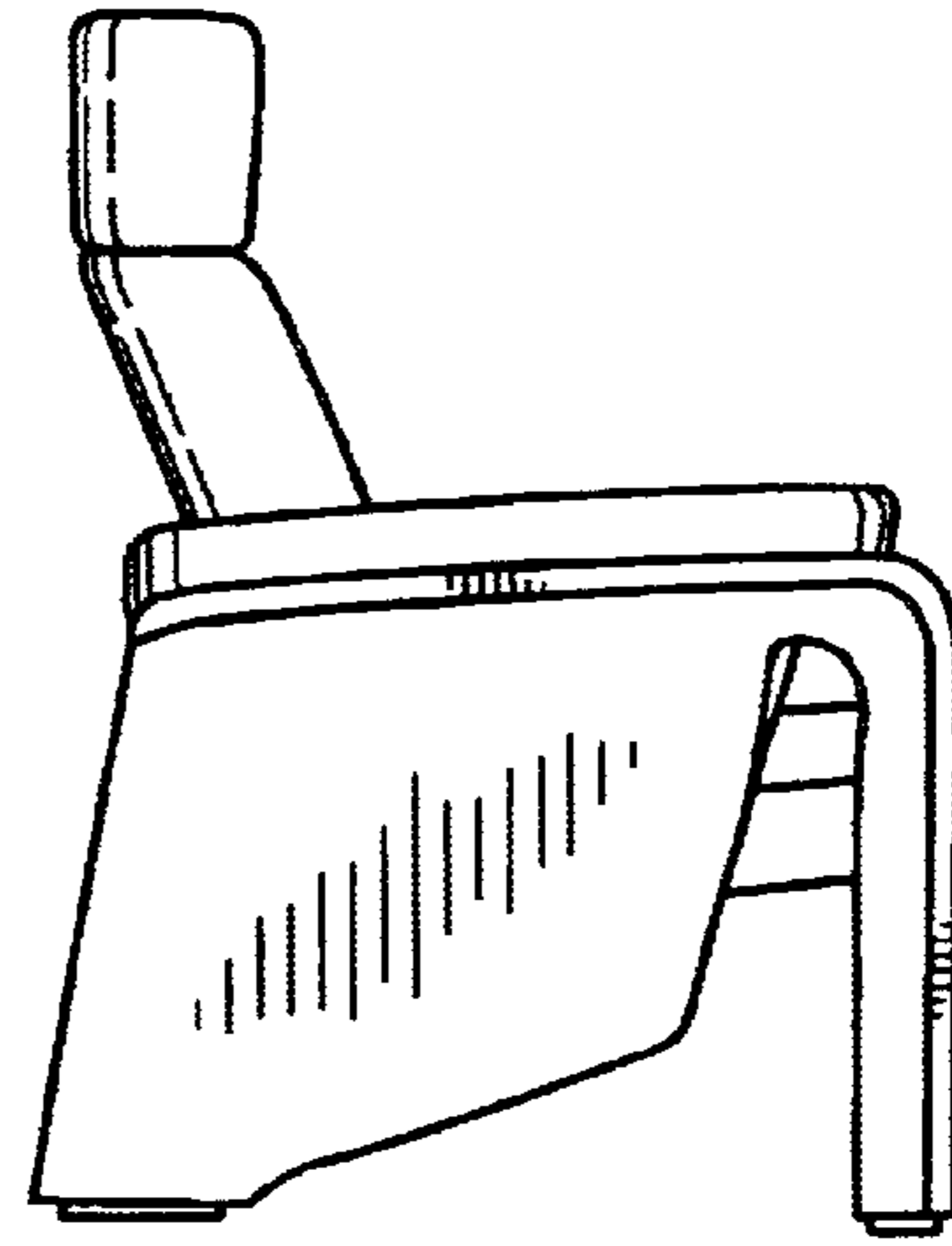


Fig. 4

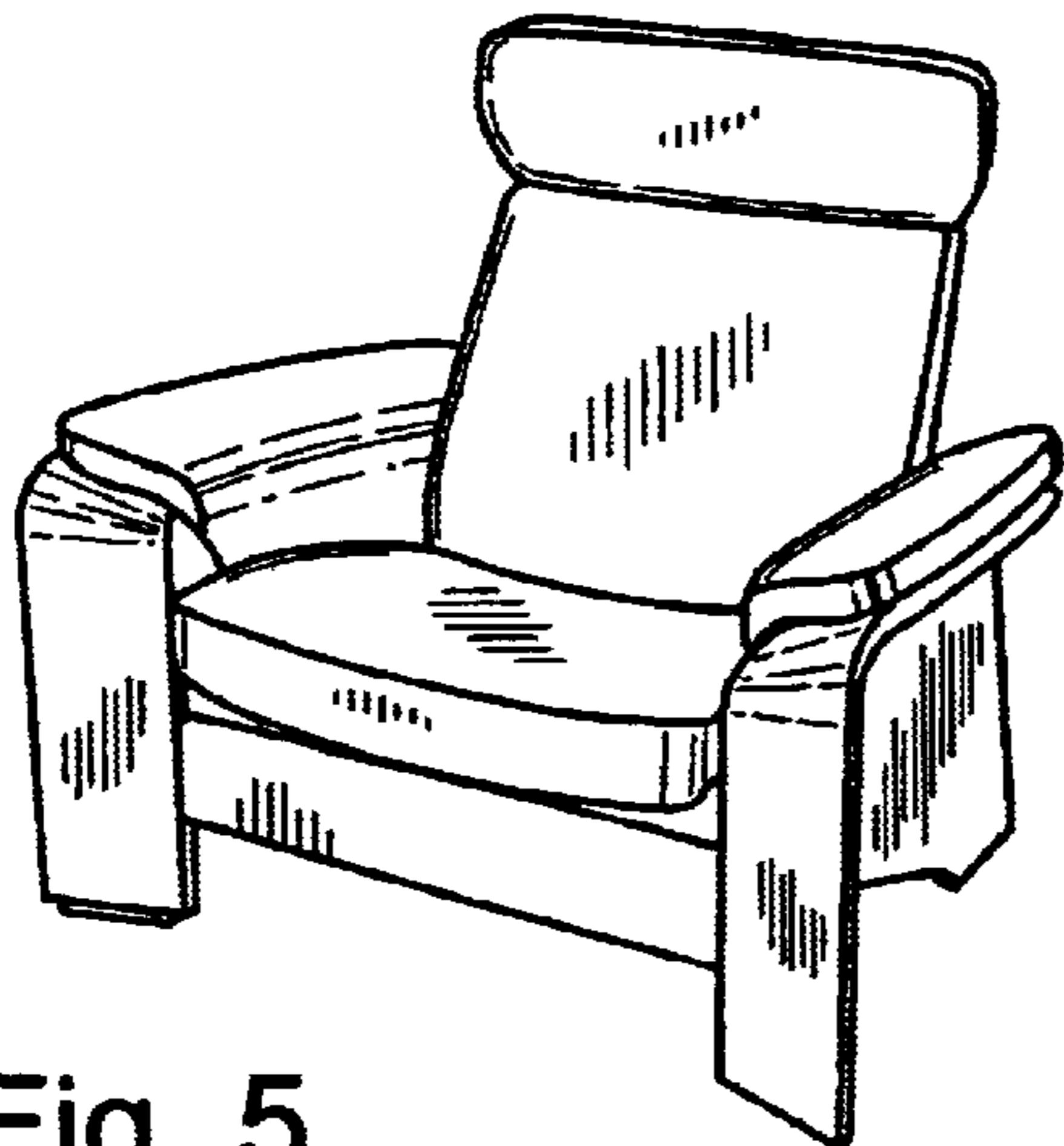


Fig. 5

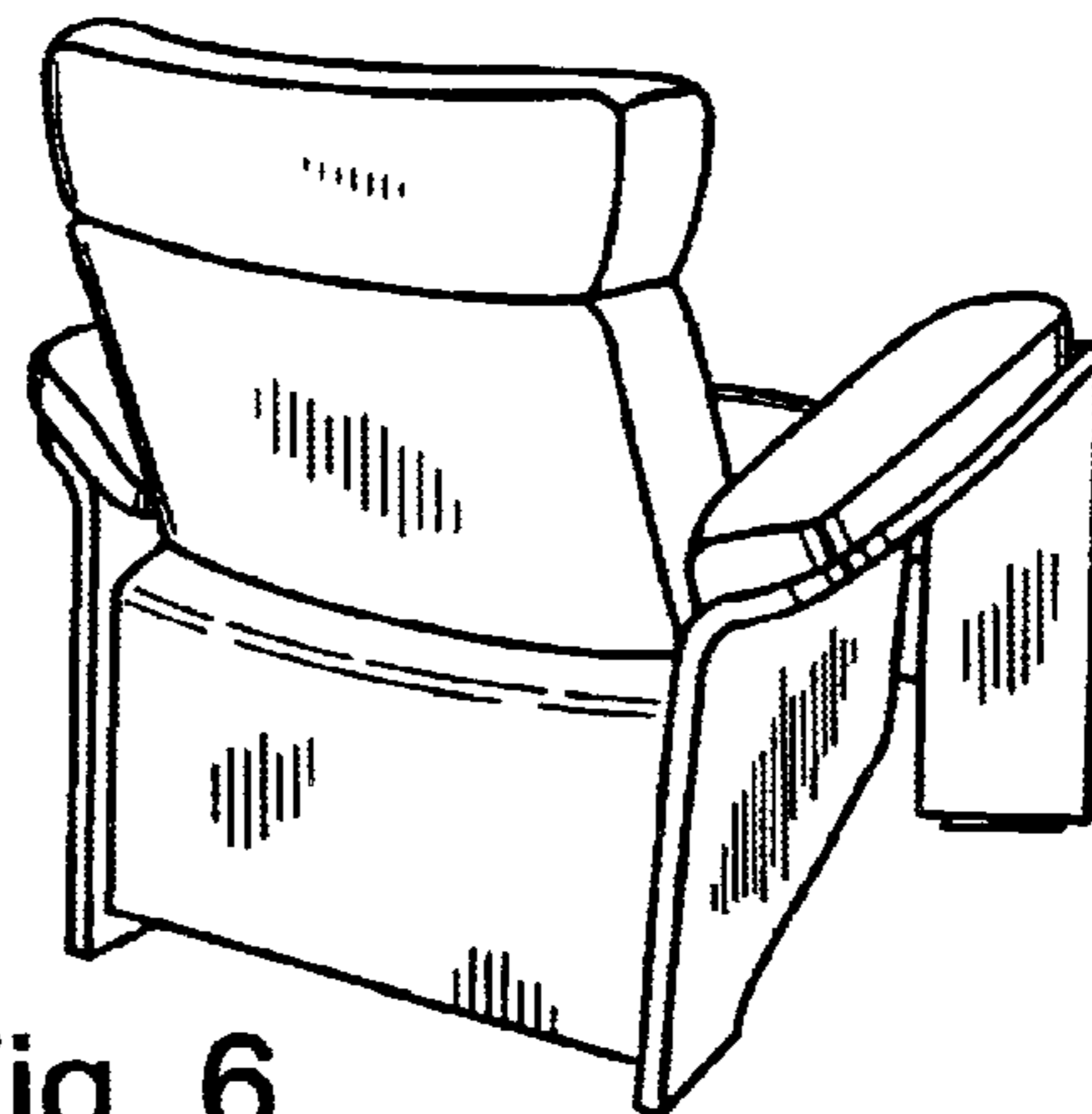


Fig. 6