

US00D492493S1

(12) **United States Design Patent**
Dretzka

(10) **Patent No.:** **US D492,493 S**
(45) **Date of Patent:** **** Jul. 6, 2004**

(54) **SUCTION MIRROR WITH RAZOR HOLDER**

(75) Inventor: **Philip C. Dretzka**, Cleveland Heights, OH (US)

(73) Assignee: **InterDesign, Inc.**, Solon, OH (US)

(**) Term: **14 Years**

(21) Appl. No.: **29/185,070**

(22) Filed: **Jun. 20, 2003**

(51) **LOC (7) Cl.** **06-07**

(52) **U.S. Cl.** **D6/309**

(58) **Field of Search** D6/300–303, 308–314, D6/526, 568; 40/597, 700, 711, 714–717, 722, 725, 748, 754–756, 790, 798; 248/467

(56) **References Cited**

U.S. PATENT DOCUMENTS

1,135,752 A *	4/1915	Balaban	248/441.1
1,270,870 A *	7/1918	Boning	235/82 R
1,279,091 A *	9/1918	Doolittle	40/700
D457,351 S *	5/2002	Zerman et al.	D6/462
D465,933 S *	11/2002	Henderson et al.	D6/309

OTHER PUBLICATIONS

“InterDesign, Inc. Product Brochure—Bath”, pp. 10 and 13.

* cited by examiner

Primary Examiner—Janice Seeger

(74) *Attorney, Agent, or Firm*—D. Peter Hochberg; Sean Mellino; Katherine R. Vieyra

(57) **CLAIM**

The ornamental design for a suction mirror with razor holder, as shown and described.

DESCRIPTION

FIG. 1 is a perspective view of a suction mirror with razor holder, with phantom views of suction cups for attaching the mirror;

FIG. 2 is a top view of the mirror shown in FIG. 1, with phantom views of suction cups for attaching the mirror;

FIG. 3 is a front view of the mirror shown in FIG. 1, phantom views of suction cups for attaching the mirror;

FIG. 4 is a right side elevation view of the mirror shown in FIG. 1, with phantom views of suction cups for attaching the mirror;

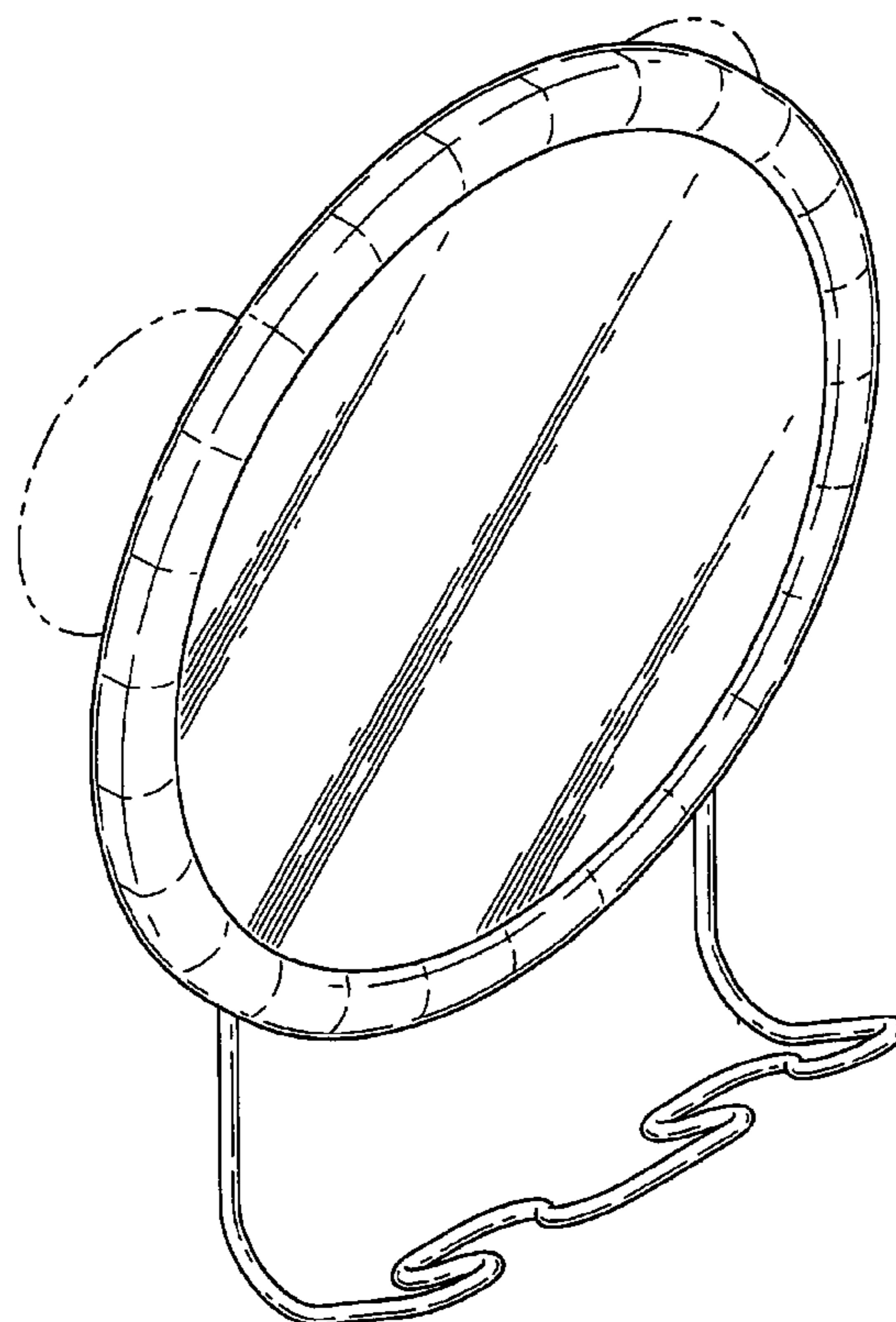
FIG. 5 is a rear elevation view of the mirror shown in FIG. 1, phantom views of suction cups for attaching the mirror;

FIG. 6 is a left side elevation view of the mirror shown in FIG. 1, with phantom views of suction cups for attaching the mirror; and,

FIG. 7 is a bottom view of the mirror shown in FIG. 1, phantom views of suction cups for attaching the mirror.

The broken lines are for environmental purposes only and form no part of the claimed design.

1 Claim, 3 Drawing Sheets



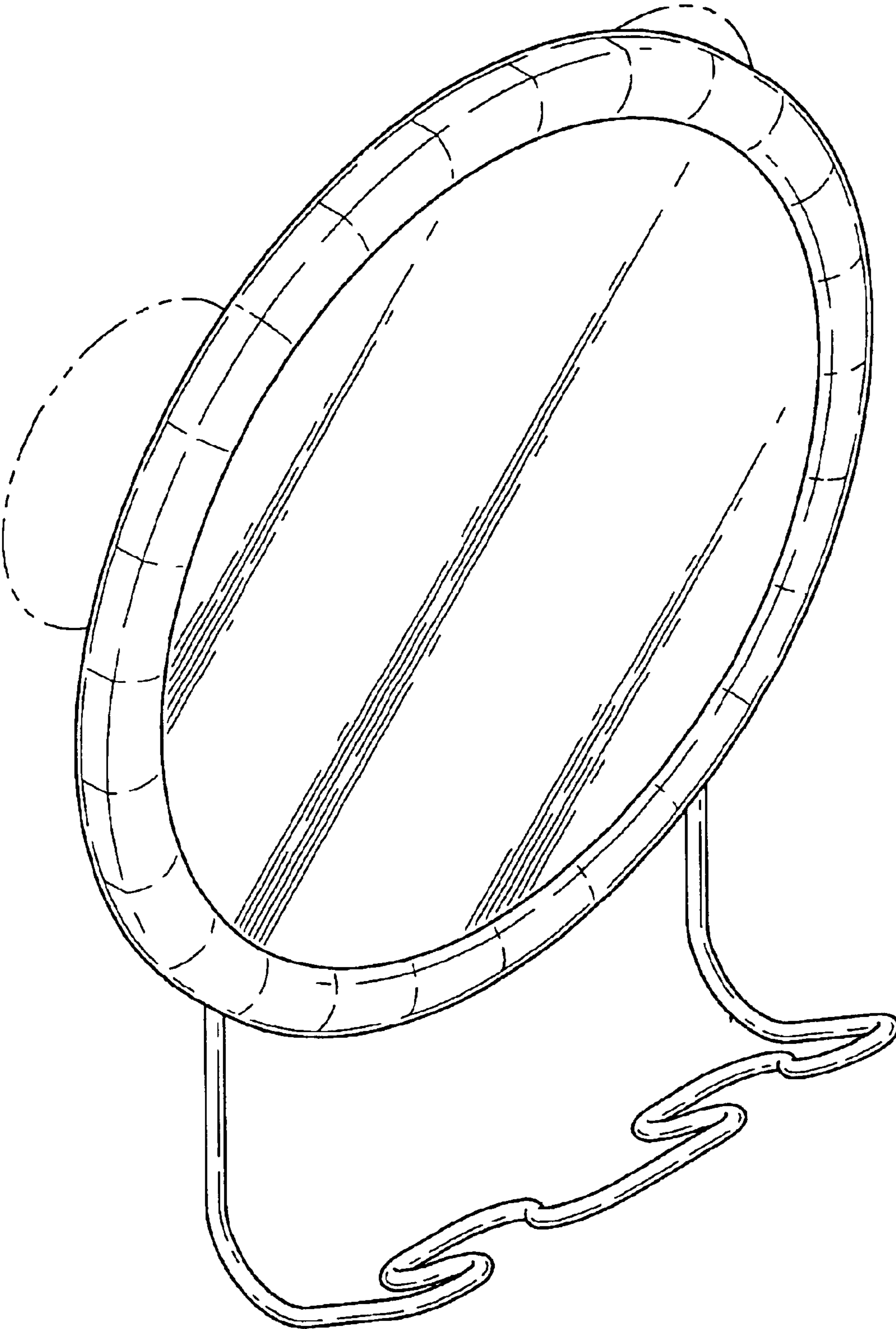


FIG-1

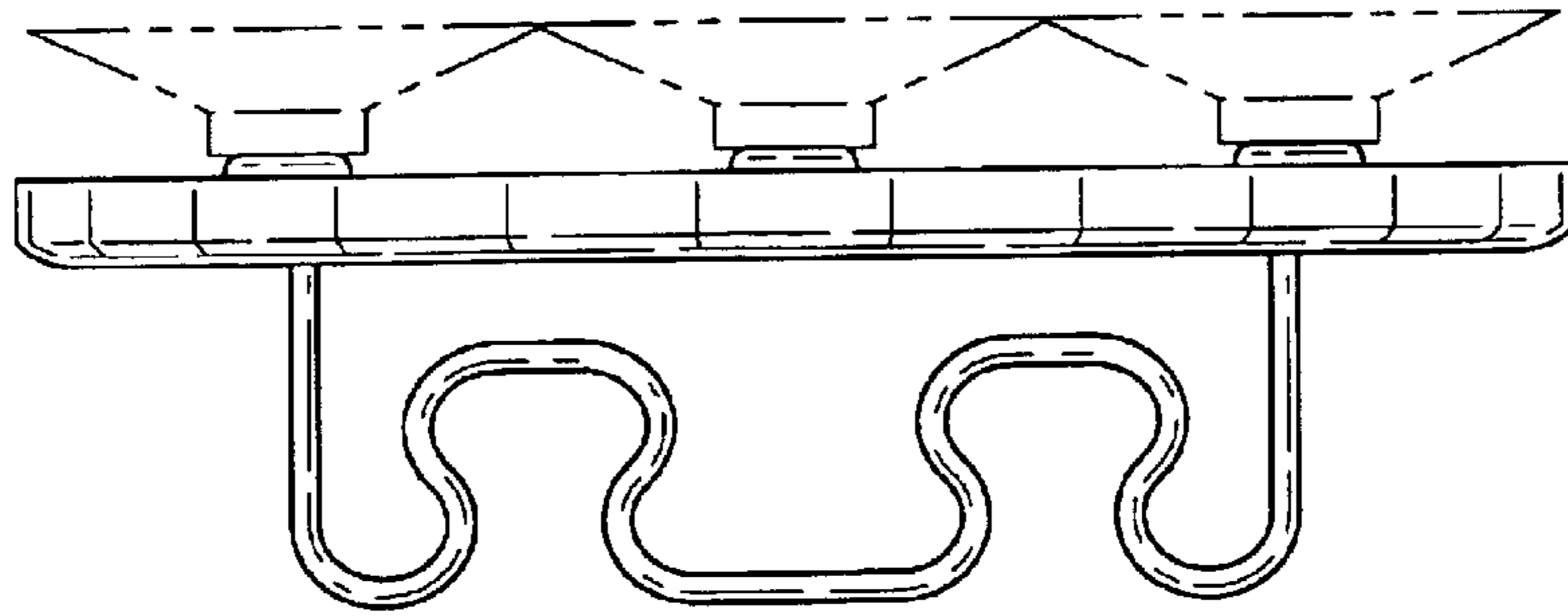


FIG-2

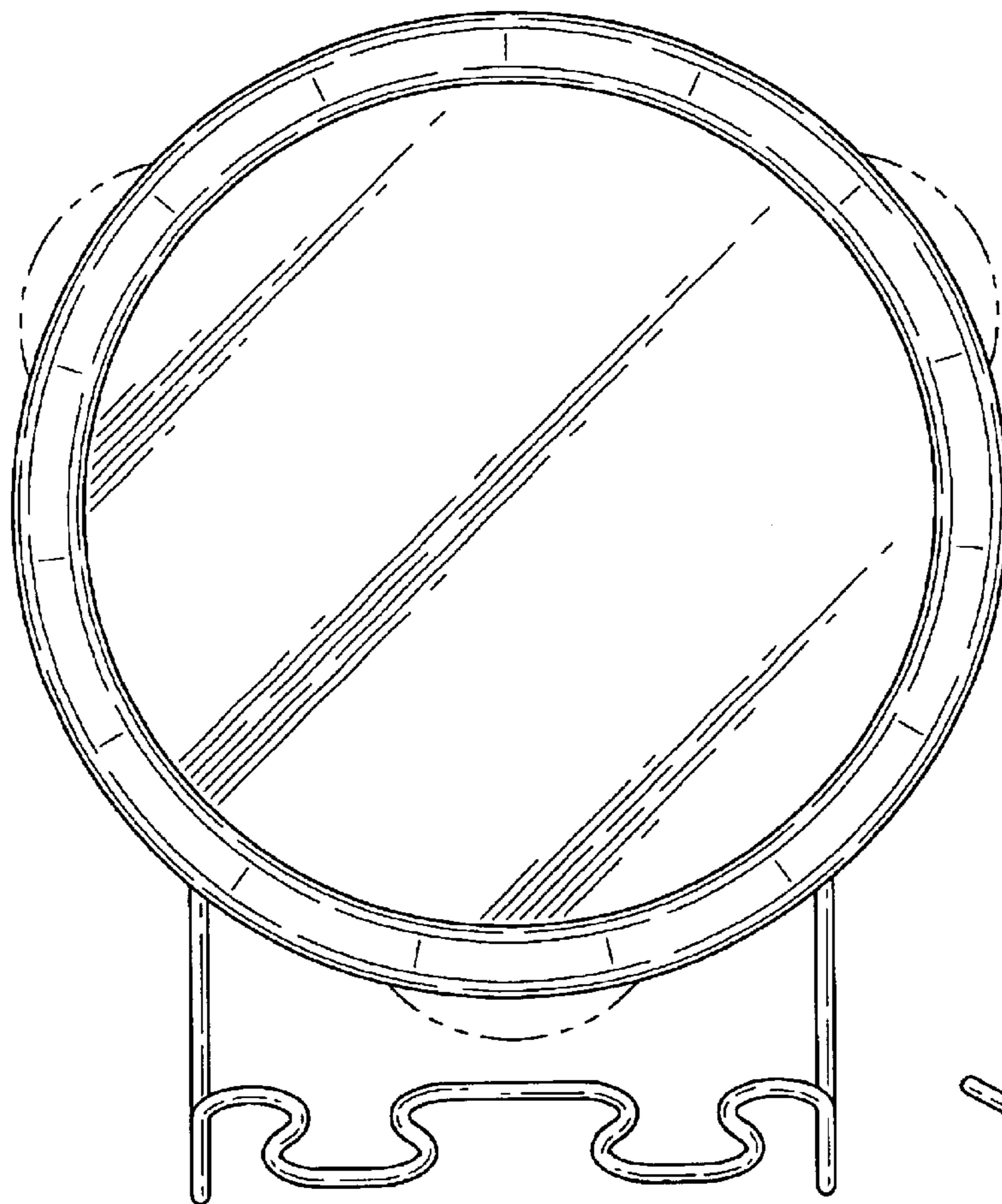


FIG-3

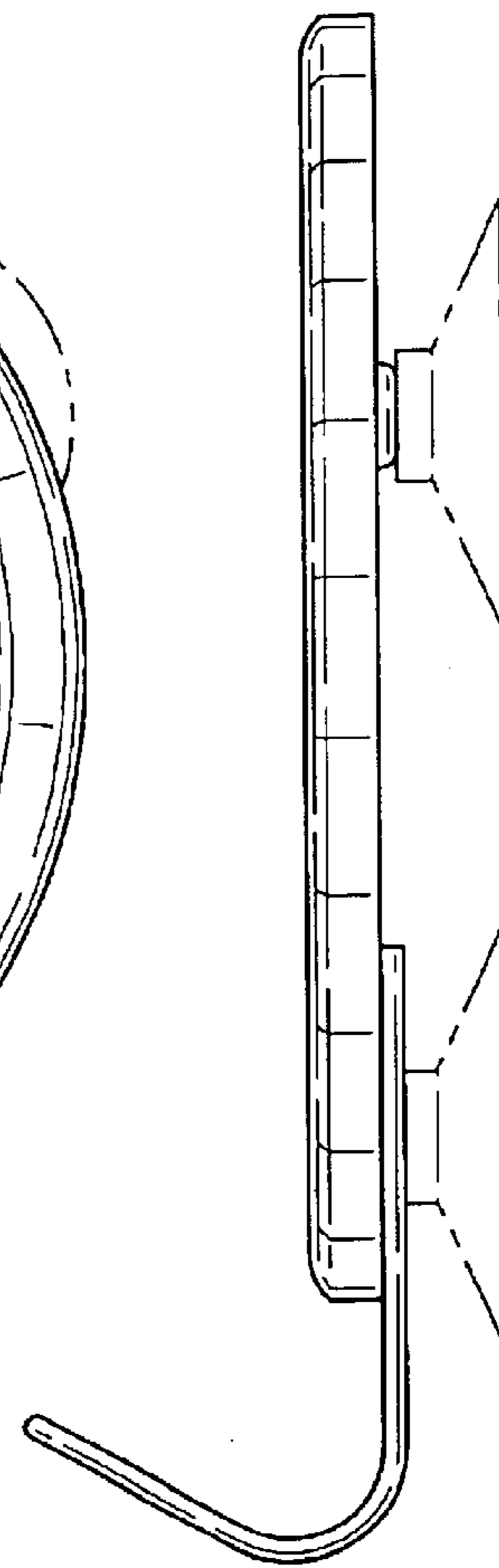


FIG-4

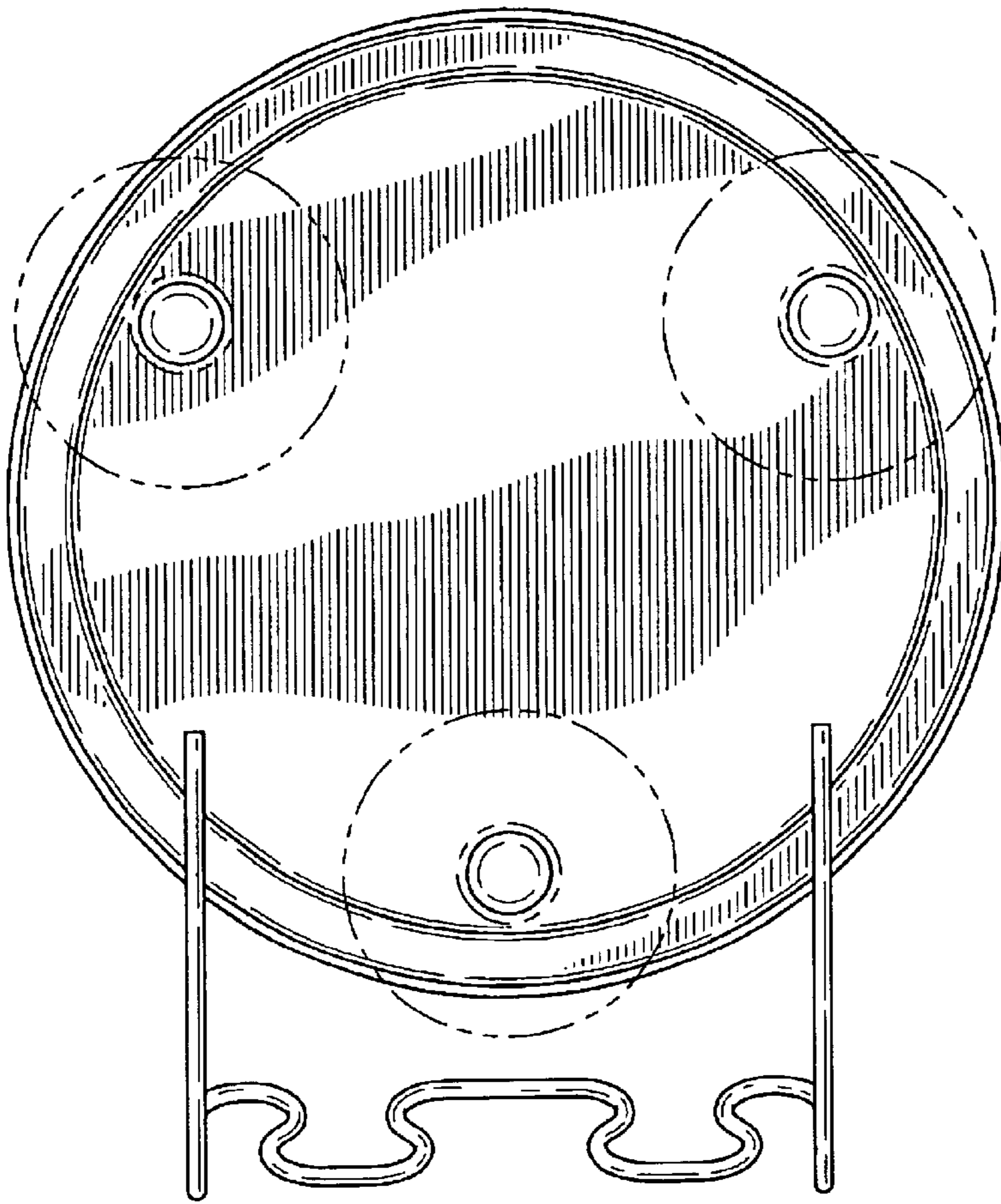


FIG-5

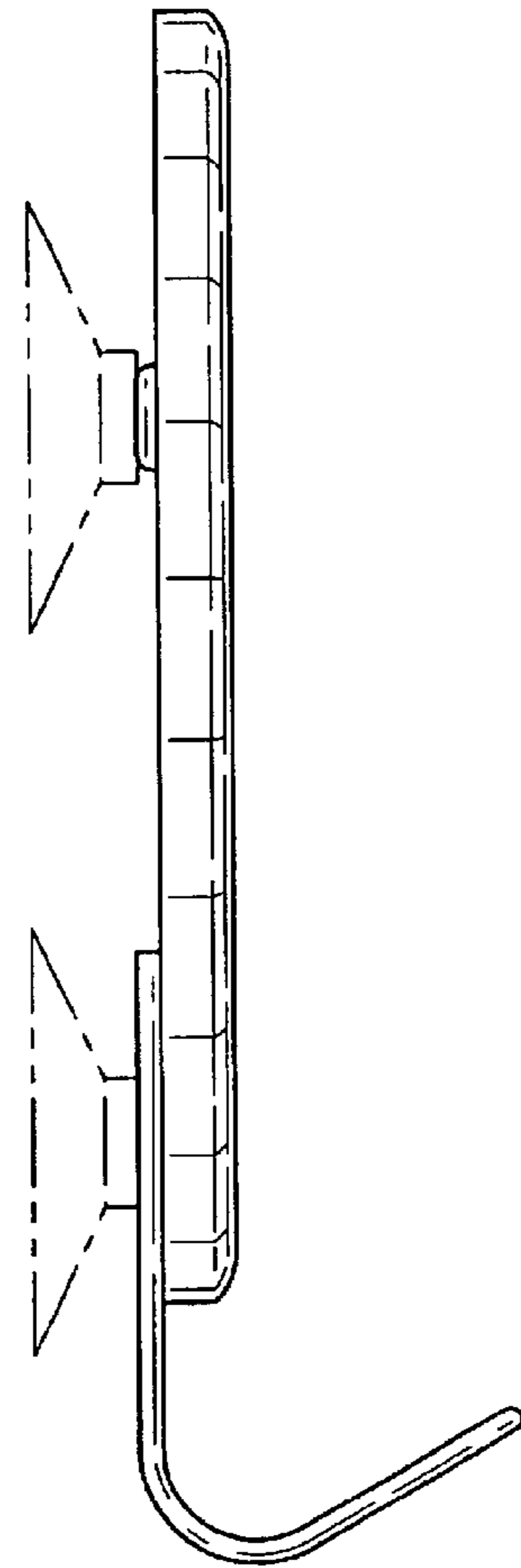


FIG-6

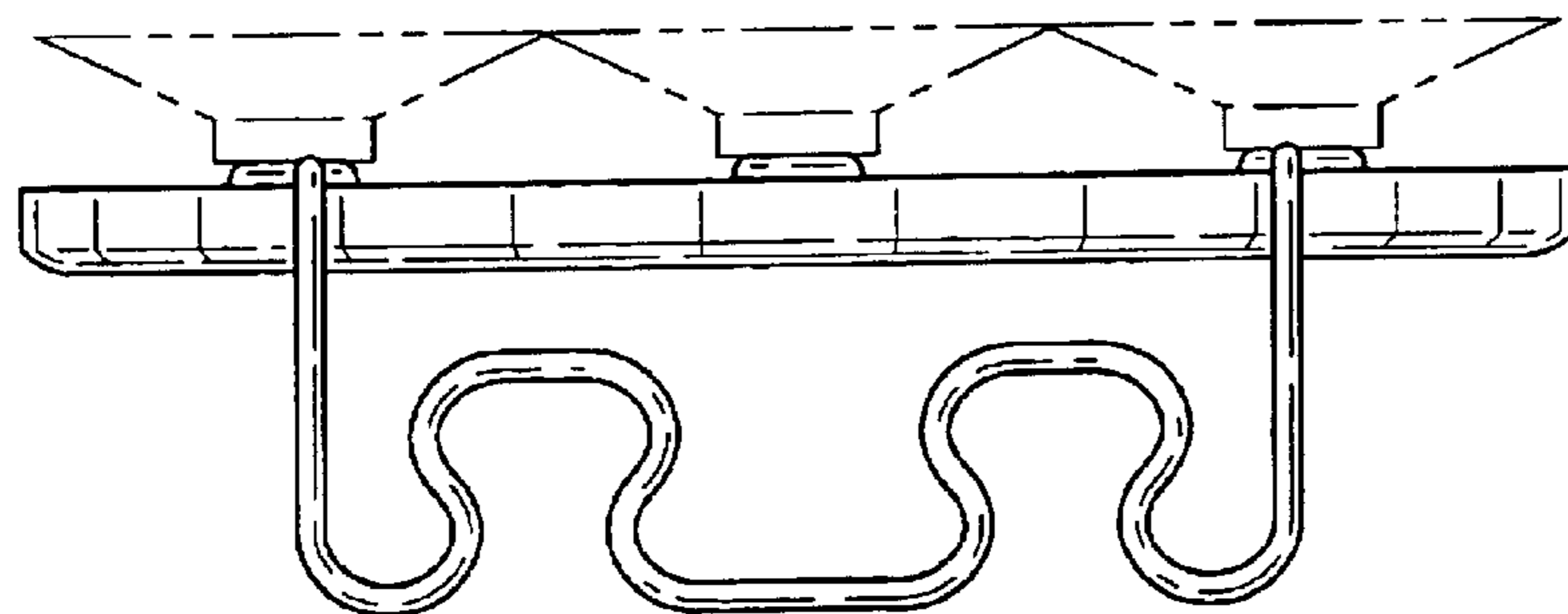


FIG-7