

US00D492487S1

(12) **United States Design Patent** (10) **Patent No.:** **US D492,487 S**
Nykoluk (45) **Date of Patent:** **** Jul. 6, 2004**

- (54) **DUAL POLE TOWING ARM FOR A PIECE OF BAGGAGE**
- (75) Inventor: **Cory O. Nykoluk**, St. Louis, MO (US)
- (73) Assignee: **TRG Accessories, LLC**, St. Louis, MO (US)
- (**) Term: **14 Years**
- (21) Appl. No.: **29/187,464**
- (22) Filed: **Aug. 1, 2003**

Related U.S. Application Data

- (62) Division of application No. 29/169,459, filed on Oct. 21, 2002, now Pat. No. Des. 477,916.
- (51) **LOC (7) Cl.** **03-01**
- (52) **U.S. Cl.** **D3/318**
- (58) **Field of Search** D3/318, 321, 322, D3/323, 217, 276, 279, 282; 16/18 A, 113.1, 429; 190/18 A, 18 R, 18, 39, 115, 119; 224/153, 578; 280/11.315, 11.371, 37, 40, 655

(56) **References Cited**

U.S. PATENT DOCUMENTS

D357,354 S	*	4/1995	Marchwiak et al.	D3/279
6,122,800 A	*	9/2000	Cheng	16/113.1
6,193,033 B1	*	2/2001	Sadow et al.	190/18 A
6,357,567 B1	*	3/2002	Tsai	190/18 A
6,425,162 B1	*	7/2002	Wang	16/113.1
6,434,790 B1	*	8/2002	Chen	16/113.1

FOREIGN PATENT DOCUMENTS

TW 090221299 1/2003

* cited by examiner

Primary Examiner—Louis S. Zarfes
Assistant Examiner—Monica A Weingart
(74) *Attorney, Agent, or Firm*—Lewis, Rice & Fingersh, LC

(57) **CLAIM**

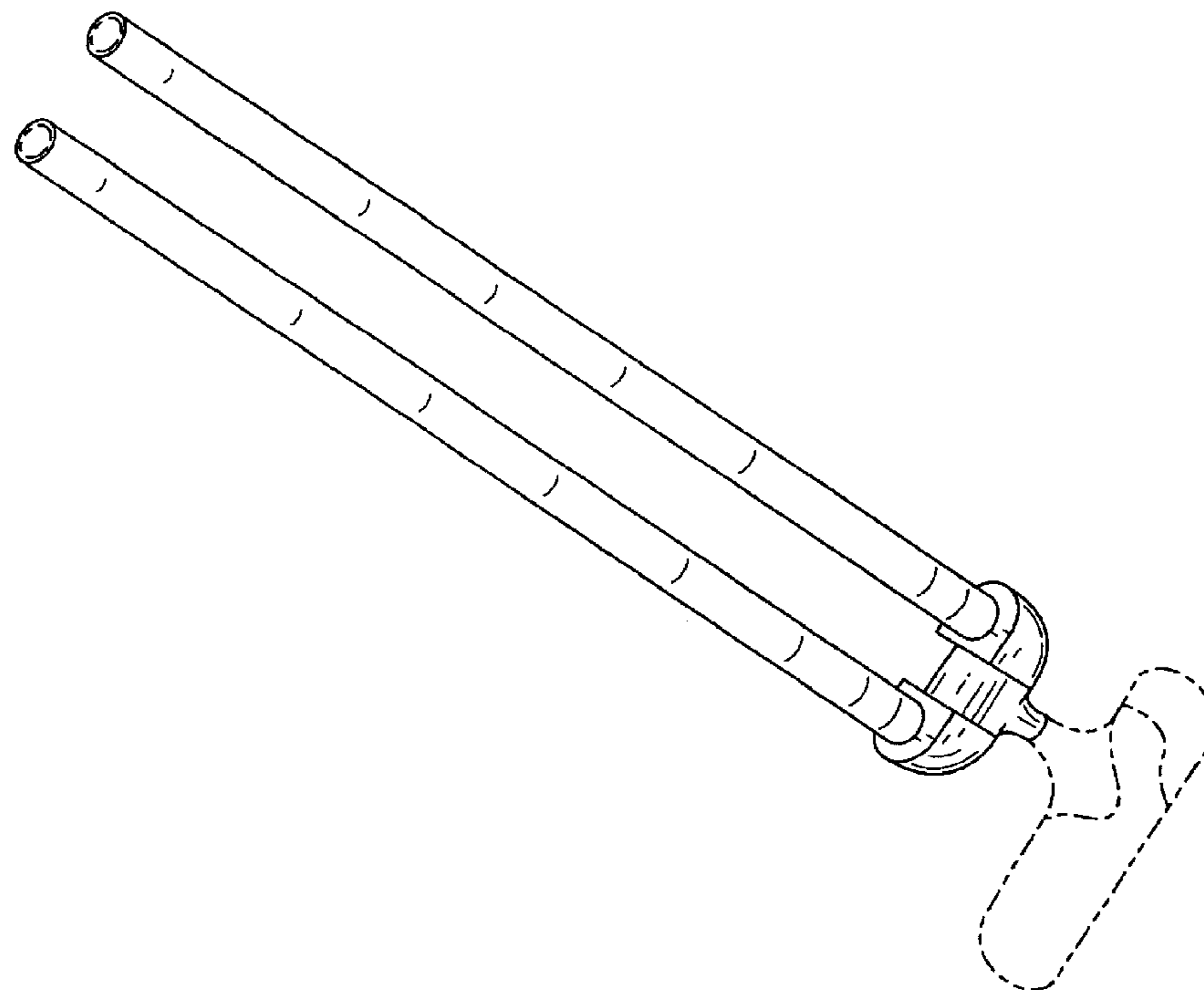
The ornamental design for a dual pole towing arm for a piece of baggage, as shown and described.

DESCRIPTION

FIG. 1 provides a perspective view of the dual pole towing arm for a piece of baggage.
FIG. 2 provides a front view of the dual pole towing arm for a piece of baggage.
FIG. 3 provides a back view of the dual pole towing arm for a piece of baggage.
FIG. 4 provides a top view of the dual pole towing arm for a piece of baggage.
FIG. 5 provides a bottom view of the dual pole towing arm for a piece of baggage.
FIG. 6 provides a left side view of the dual pole towing arm for a piece of baggage; and,
FIG. 7 provides a right side view of the dual pole towing arm for a piece of baggage.

The broken line showing the handle is for illustrative purposes only and forms no part of the claimed design.
The broken line showing in FIGS. 1–7 is for illustrative purposes only and forms no part of the claimed design.

1 Claim, 4 Drawing Sheets



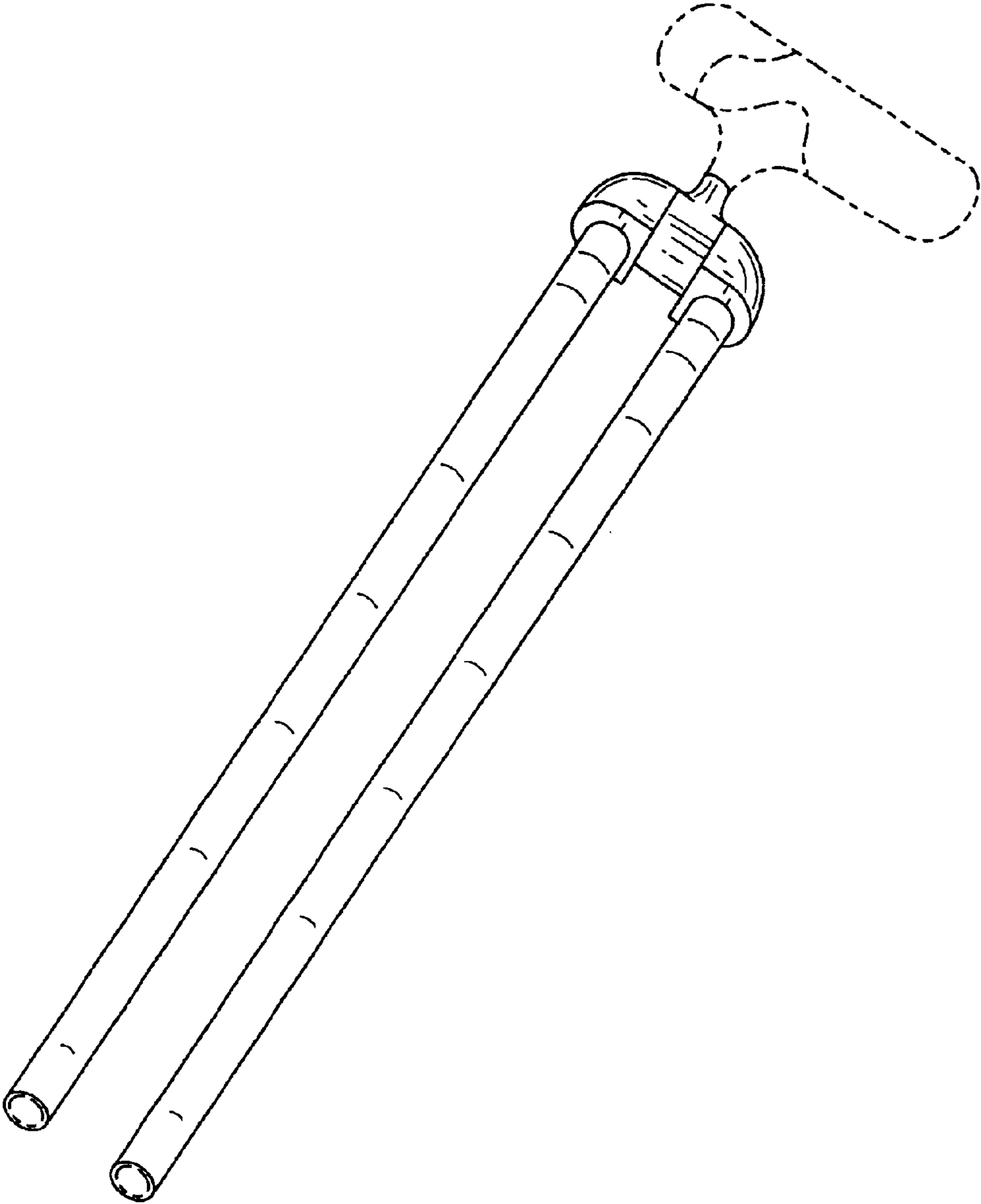


FIG. 1

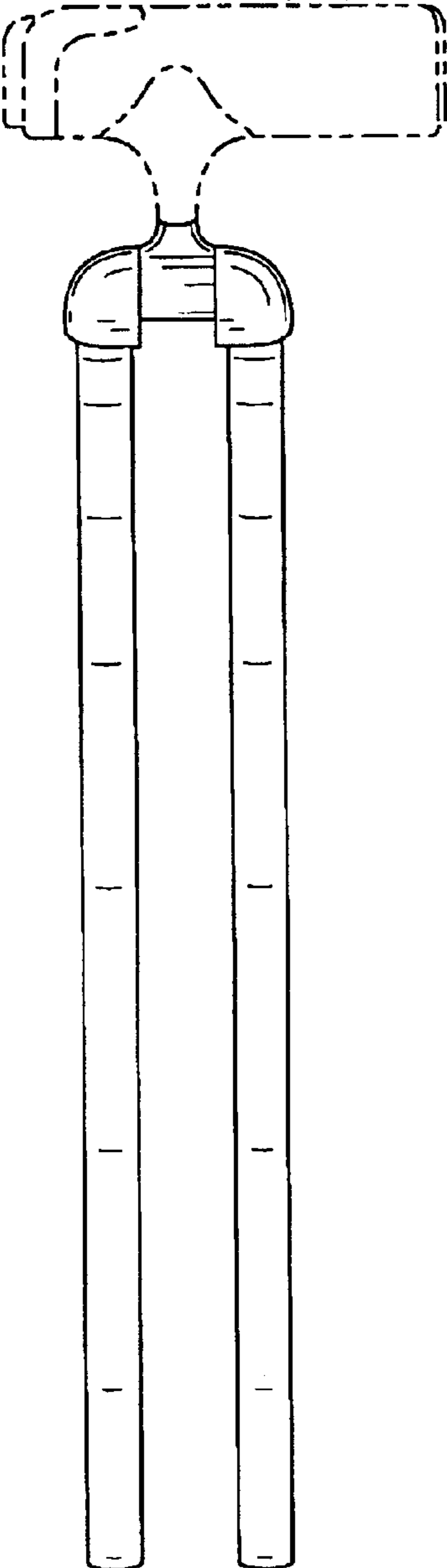


FIG. 2

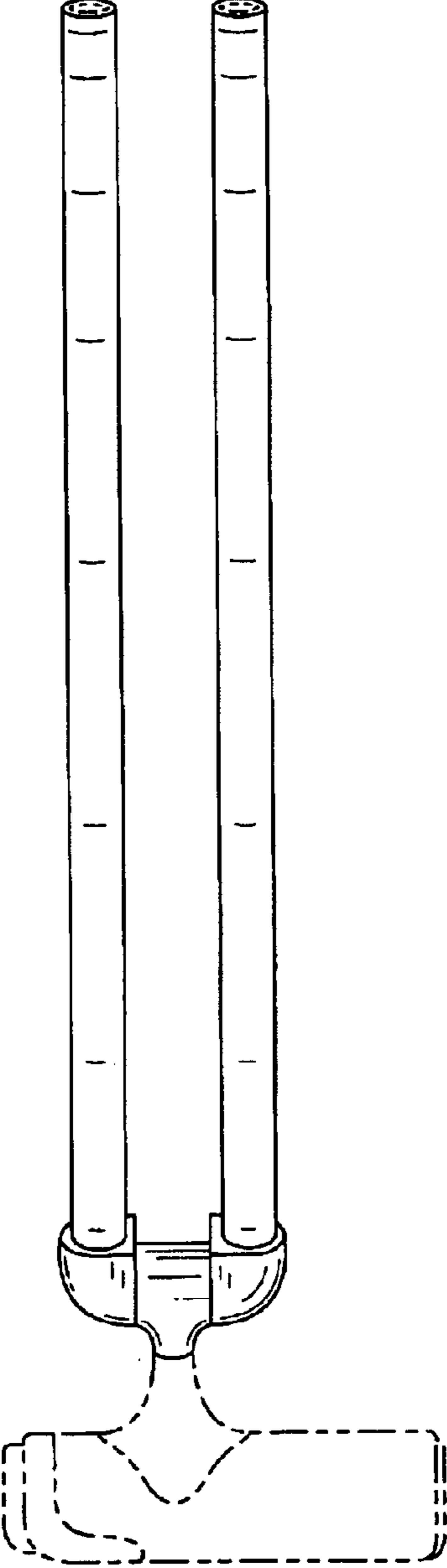


FIG. 3

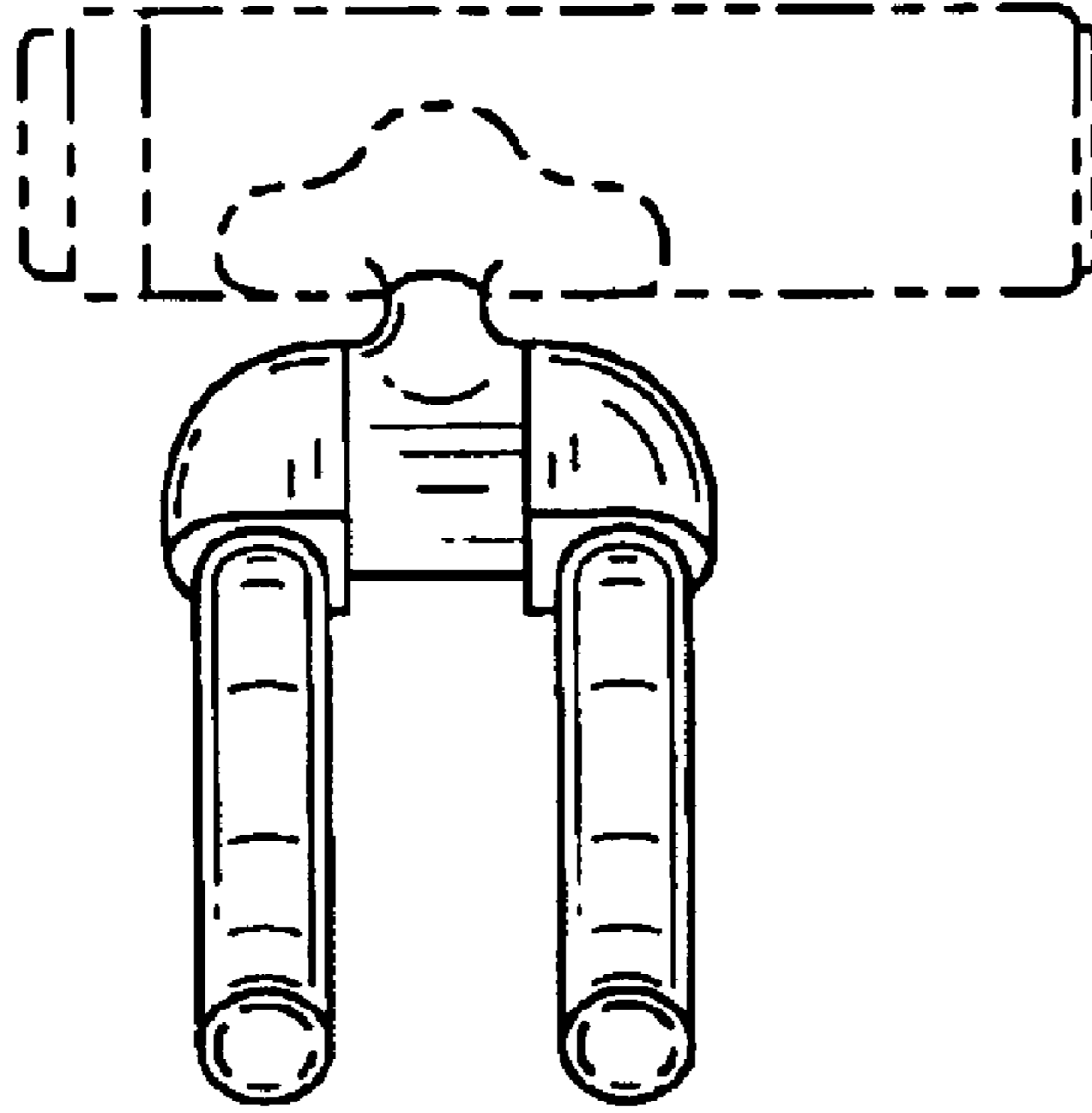


FIG. 5

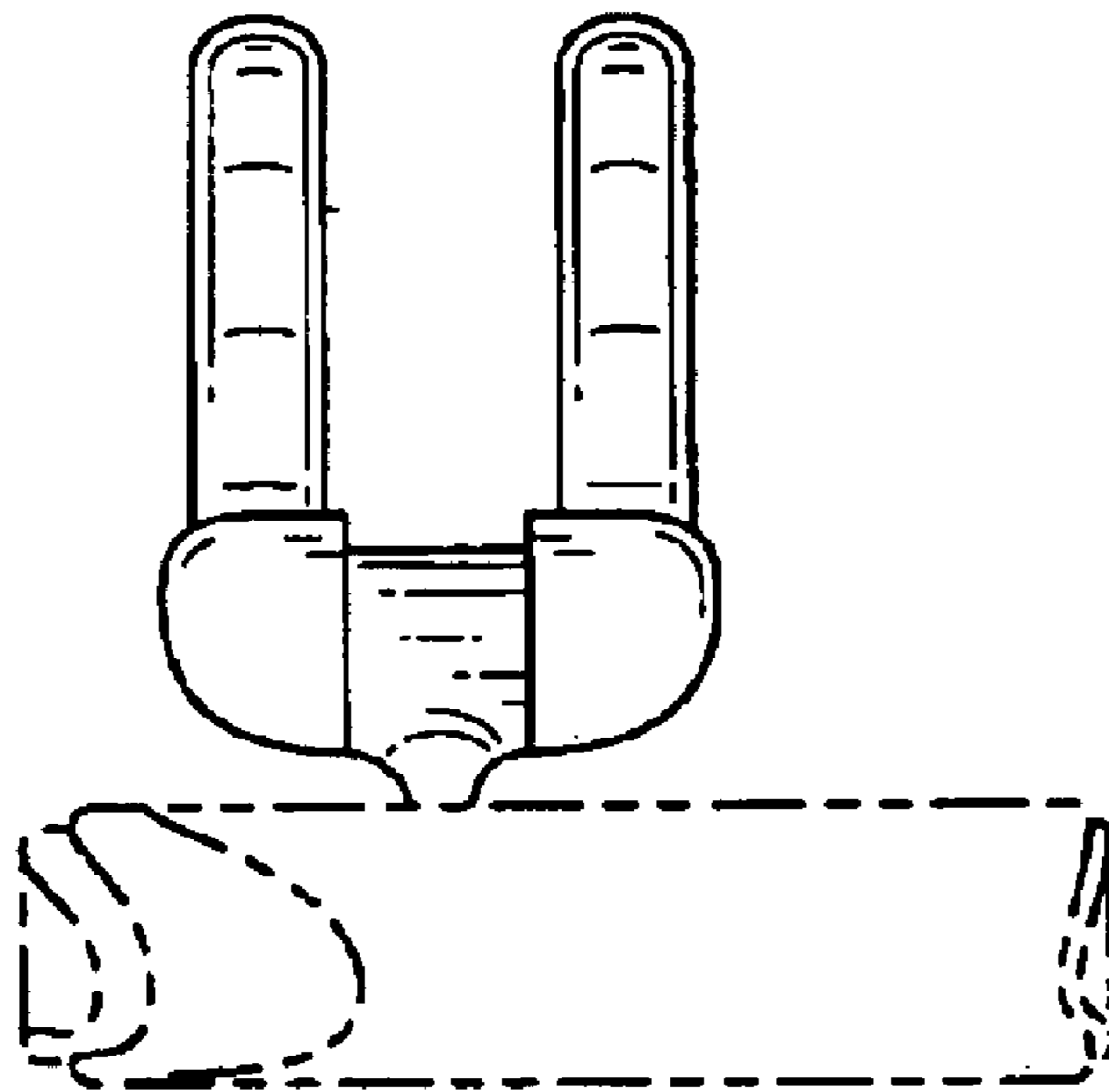


FIG. 4

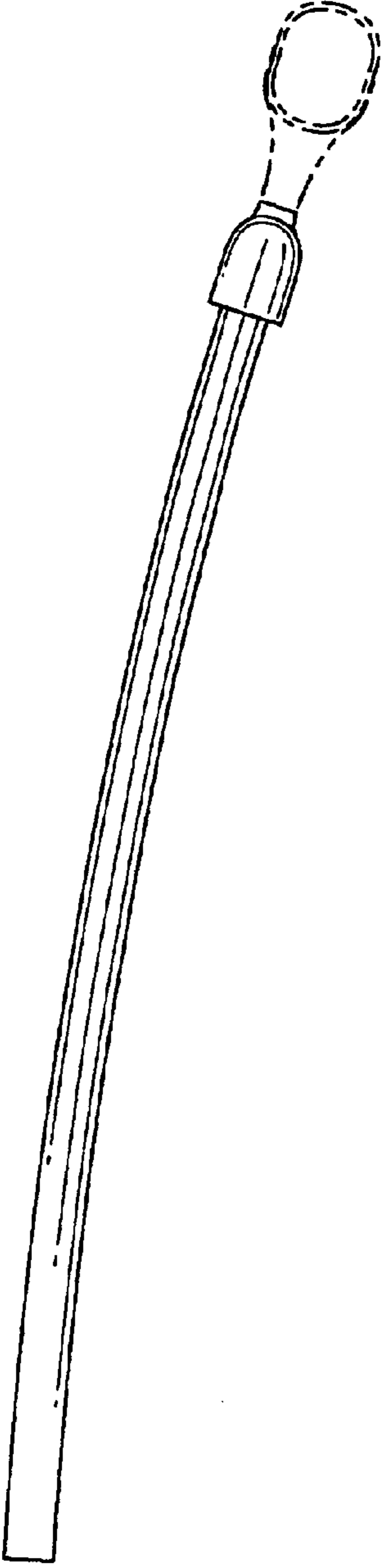


FIG. 6

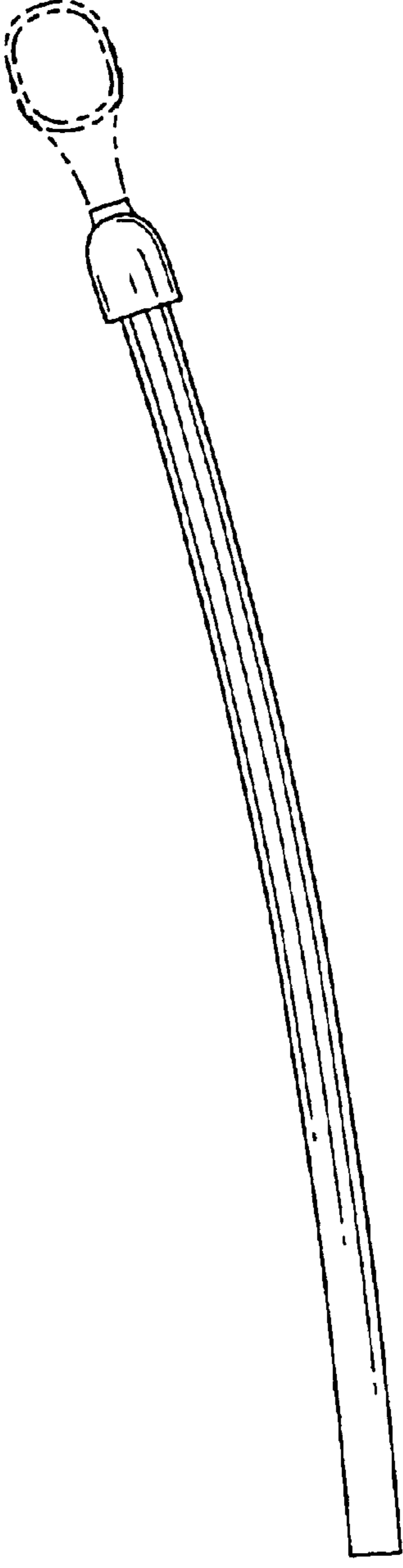


FIG. 7