

US00D492477S1

(12) **United States Design Patent** (10) **Patent No.:** **US D492,477 S**
Zaniewski et al. (45) **Date of Patent:** **** Jul. 6, 2004**

(54) **SEWING NEEDLE**

(76) Inventors: **Jenny Zaniewski**, 33108 Harvest Ridge La., Alpharetta, GA (US) 30022;
Rebecca C. Zaniewski, 33108 Harvest Ridge La., Alpharetta, GA (US) 30022

(**) Term: **14 Years**

(21) Appl. No.: **29/174,958**

(22) Filed: **Jan. 29, 2003**

(51) **LOC (7) Cl.** **02-07**

(52) **U.S. Cl.** **D3/28**

(58) **Field of Search** D3/18, 28; D24/112-114,
D24/130; D9/303; D15/78; 112/1, 80.03,
80.05, 80.06, 83, 98, 105, 169, 270, 280,
281, 222-224, 285, 299; 223/102; 606/222-224;
66/116-118

(56) **References Cited**

U.S. PATENT DOCUMENTS

2,721,014	A	*	10/1955	Allen	D3/28 X
3,473,710	A	*	10/1969	Lindquist	223/102
3,525,460	A	*	8/1970	Hendy	223/102
3,531,030	A	*	9/1970	Doiron	223/102
4,385,575	A	*	5/1983	Weber	112/224

* cited by examiner

Primary Examiner—Louis S. Zarfaz

Assistant Examiner—Robert A. Delehanty

(74) *Attorney, Agent, or Firm*—Michael A. Mann; Sara A. Centioni; Nexsen Pruet LLC

(57) **CLAIM**

We claim the ornamental design for a sewing needle, as shown and described.

DESCRIPTION

FIG. 1 of the first preferred embodiment is a perspective view thereof;

FIG. 2 of the first preferred embodiment is a left side elevational view thereof;

FIG. 3 of the first preferred embodiment is a right side elevational view thereof;

FIG. 4 of the first preferred embodiment is a bottom view thereof;

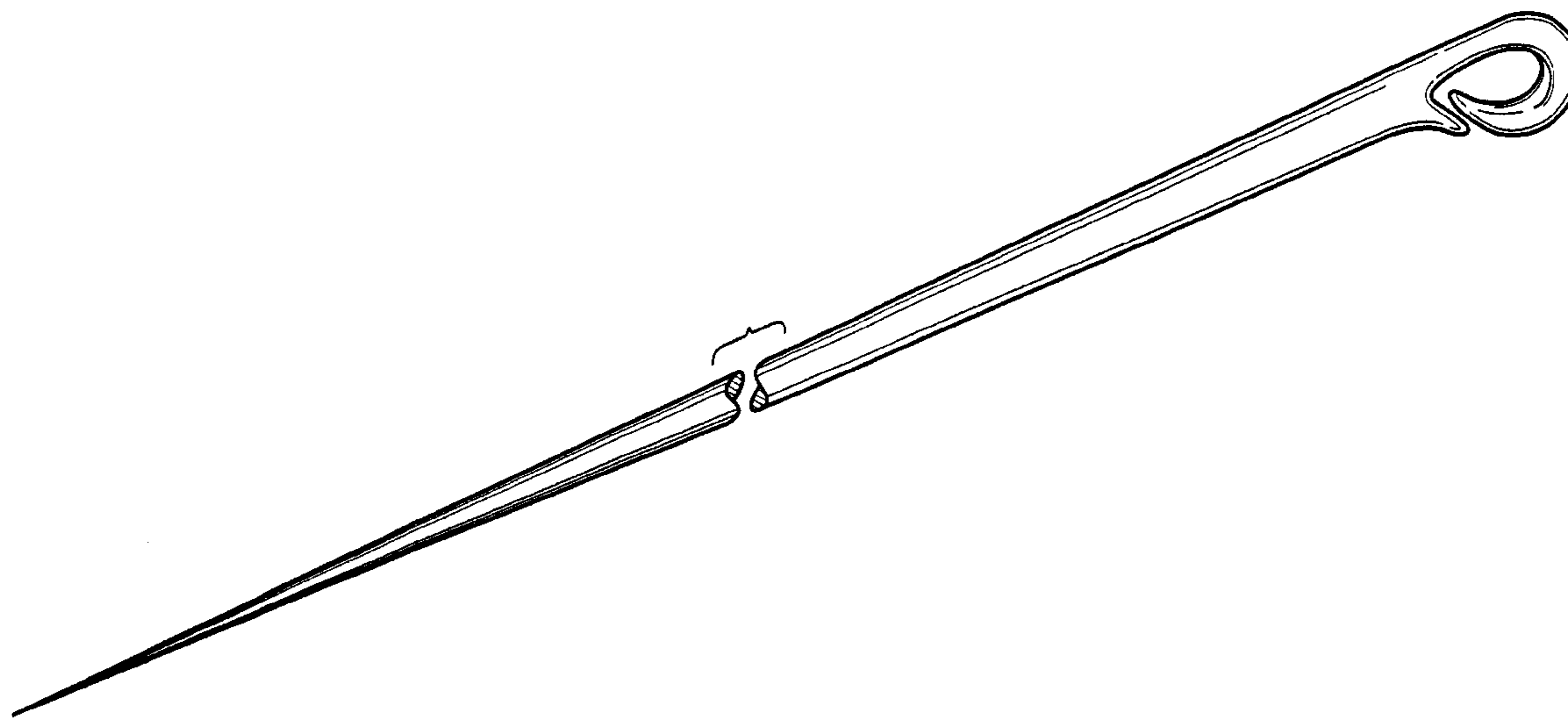
FIG. 5 of the first preferred embodiment is a top view thereof;

FIG. 6 of the first preferred embodiment is a rear elevational view thereof; and,

FIG. 7 of the first preferred embodiment is the front elevational view thereof.

For clarity, the needle is shown broken away to indicate indeterminate length.

1 Claim, 2 Drawing Sheets



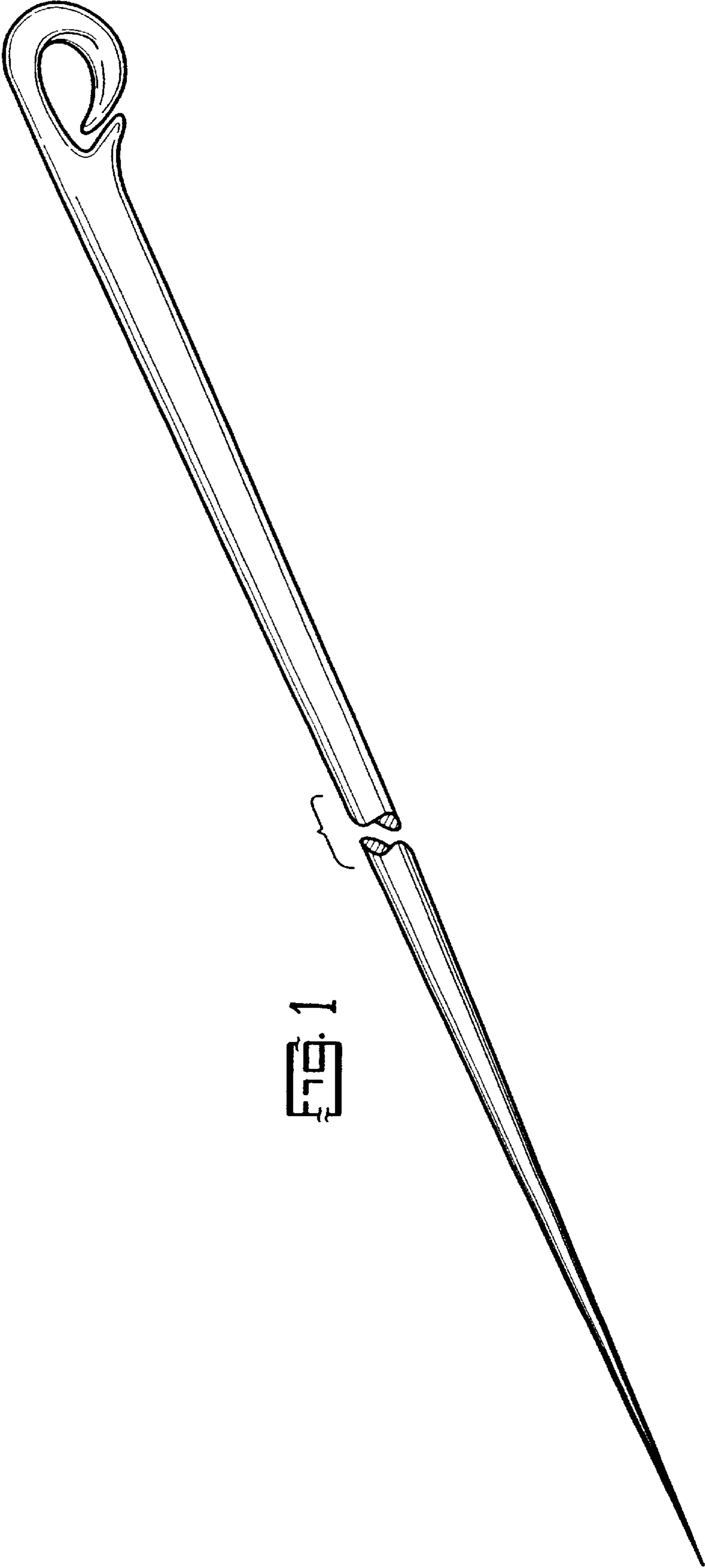


FIG. 1

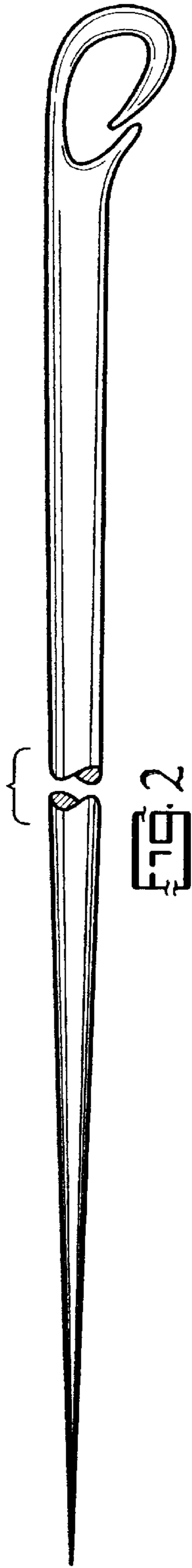


FIG. 6

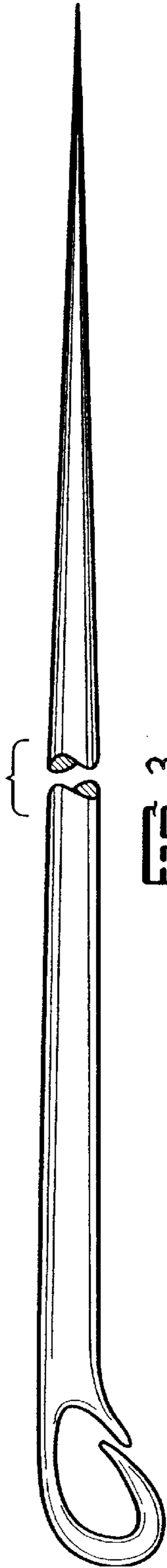


FIG. 7

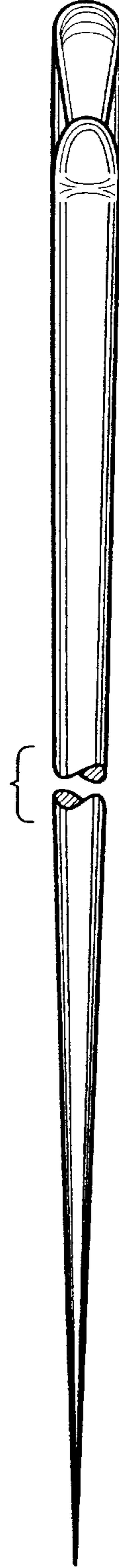
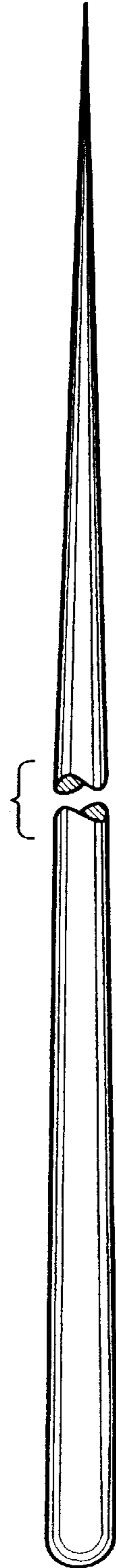


FIG. 5