



US00D492471S1

(12) **United States Design Patent**  
**Park**

(10) **Patent No.:** **US D492,471 S**  
(45) **Date of Patent:** **\*\* Jul. 6, 2004**

- (54) **VISOR**
- (75) **Inventor:** **Boo YI Park**, Seoul (KR)
- (73) **Assignee:** **DADA Corp.**, Seoul (KR)
- (\*\*) **Term:** **14 Years**
- (21) **Appl. No.:** **29/164,025**
- (22) **Filed:** **Jul. 18, 2002**
- (51) **LOC (7) Cl.** ..... **02-03**
- (52) **U.S. Cl.** ..... **D2/893**
- (58) **Field of Search** ..... D2/865, 866, 868,  
D2/869, 872, 873, 876, 879, 882, 886,  
893; 2/171, 181, 195.1, 195.2, 209.12,  
209.13, 195.3, 10

- D358,006 S 5/1995 Chilsom et al.
- D358,248 S 5/1995 Kercher
- D366,558 S 1/1996 Galper et al.
- 5,778,454 A 7/1998 Oxman
- D412,773 S 8/1999 Zak et al.
- D455,538 S 4/2002 Rhoden

\* cited by examiner

*Primary Examiner*—Doris V. Coles  
*Assistant Examiner*—Mimosa De

(57) **CLAIM**

The ornamental design for a “visor,” as shown.

**DESCRIPTION**

FIG. 1 is a perspective view of a “visor” showing my new design  
 FIG. 2 is a top plan view of FIG. 1  
 FIG. 3 is a front elevational view of FIG. 1  
 FIG. 4 is a right side elevational view of FIG. 1: the left side is a mirror image; and,  
 FIG. 5 is a bottom plan view of FIG. 1.  
 The dashed lines showing a headwear crown in all views are for illustrative purposes only and form no part of the claimed design.  
 The short dashed broken lines on the visor represent stitching.

(56) **References Cited**

**U.S. PATENT DOCUMENTS**

- 1,190,427 A 7/1916 Kromer, Jr.
- 2,149,655 A \* 3/1939 Yamaguchi ..... 2/195.1
- 2,701,366 A \* 2/1955 Oberrender ..... 2/195.1
- 2,870,450 A \* 1/1959 Bailey ..... 2/195.2
- 2,908,012 A \* 10/1959 Feldman ..... 2/209.13
- D263,515 S \* 3/1982 Townsend, Jr. et al. .... D2/893
- D299,981 S \* 2/1989 Proctor ..... D2/893
- D300,081 S \* 3/1989 Proctor ..... D2/893
- D300,386 S \* 3/1989 Proctor ..... D2/893

**1 Claim, 3 Drawing Sheets**

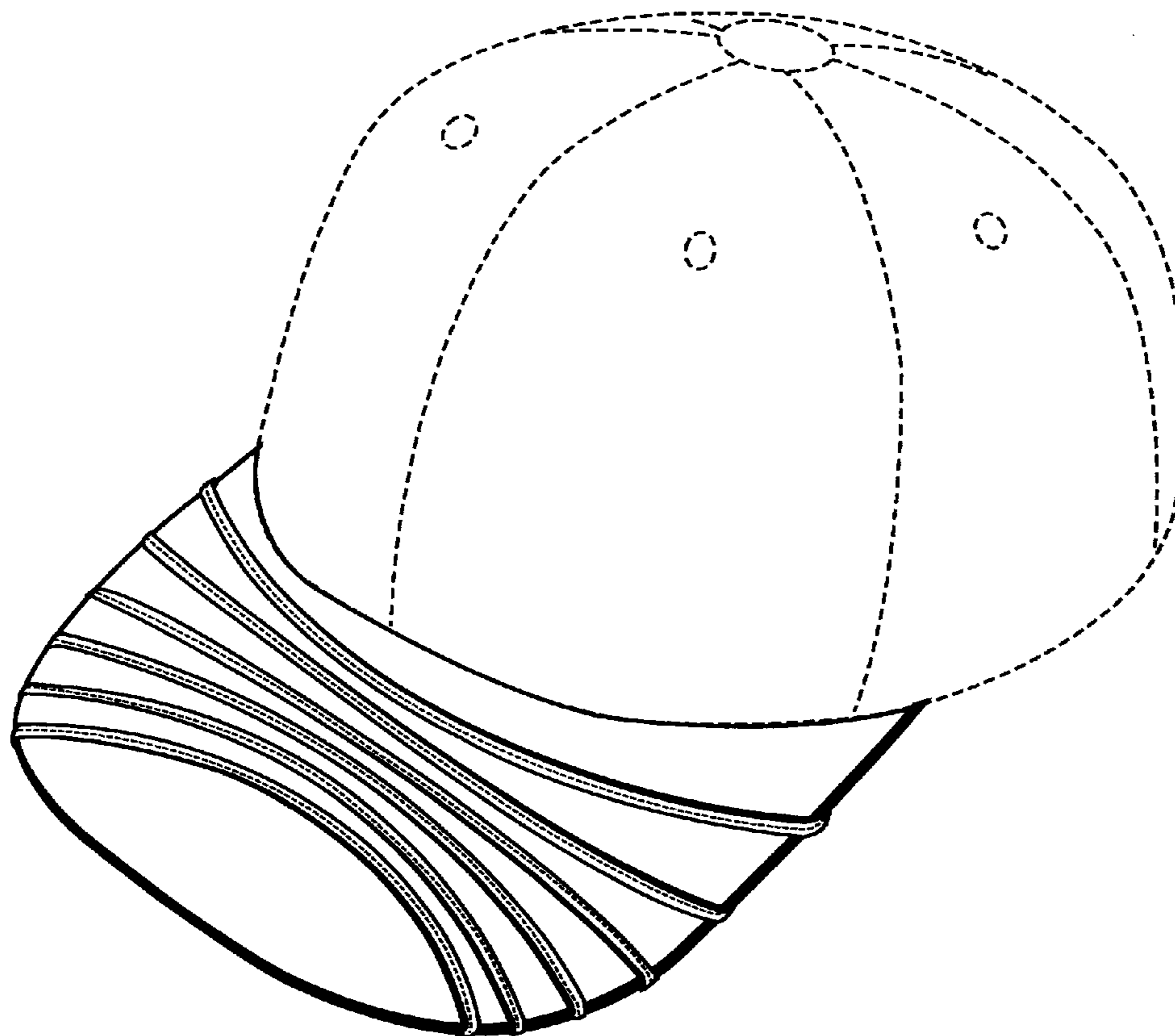


FIG. 1

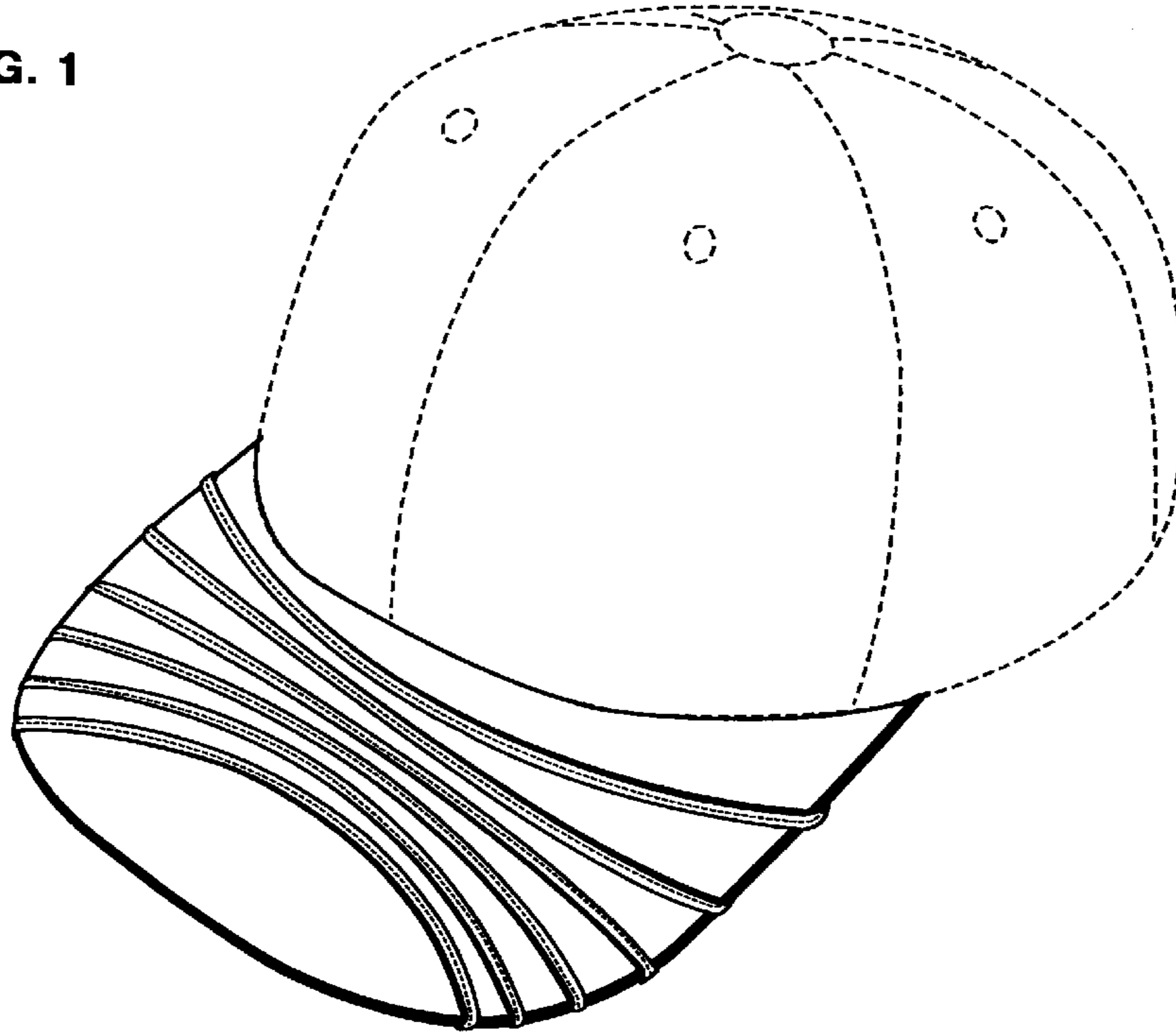


FIG. 2

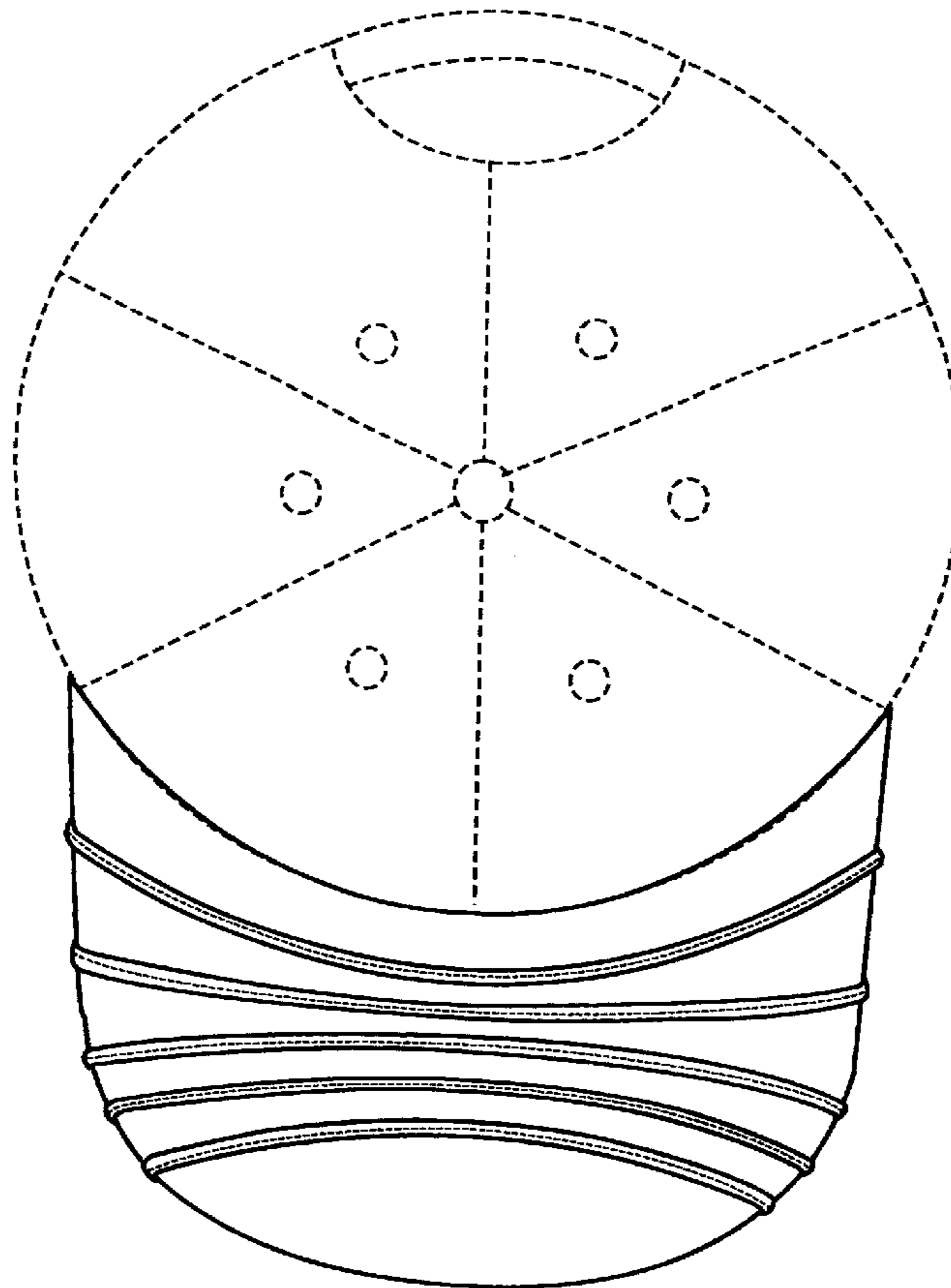


FIG. 3

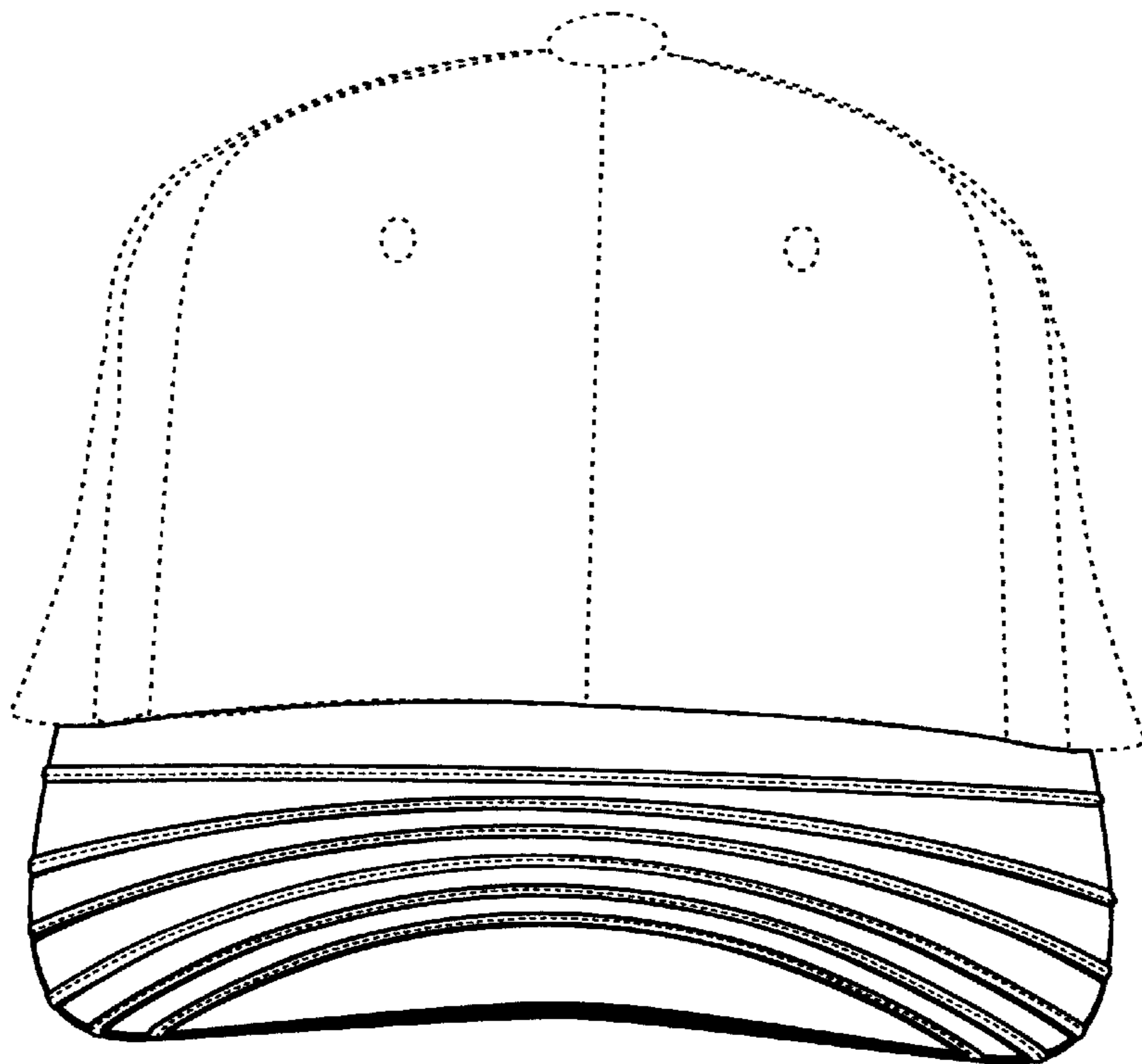


FIG. 4

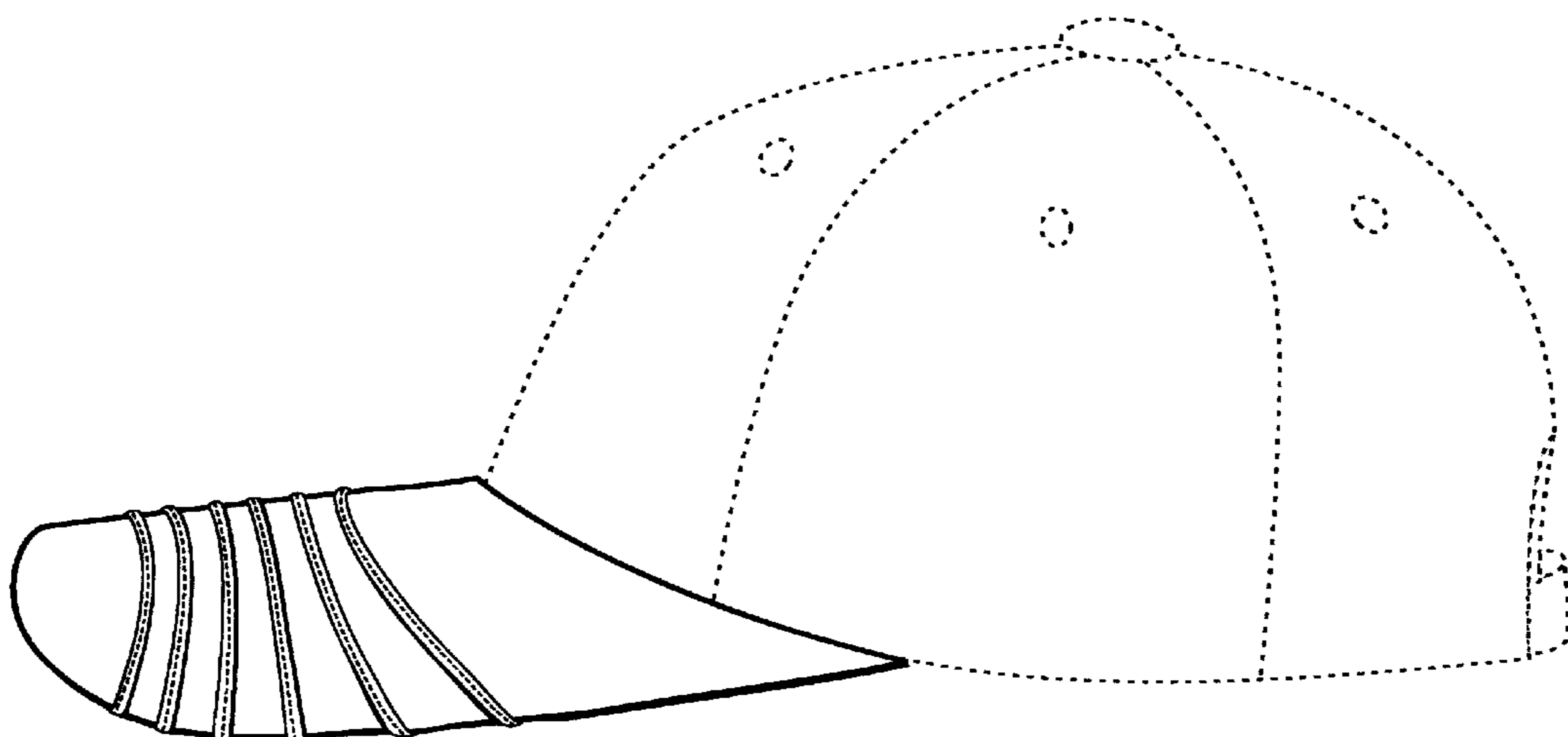


FIG. 5

