

US00D492470S1

(12) **United States Design Patent**
Park

(10) **Patent No.:** **US D492,470 S**
(45) **Date of Patent:** **** Jul. 6, 2004**

(54) **SEMI-PIPING VISOR**

(75) **Inventor:** **Boo Yi Park, Seoul (KR)**

(73) **Assignee:** **Dada Corp., Seoul (KR)**

(**) **Term:** **14 Years**

(21) **Appl. No.:** **29/153,611**

(22) **Filed:** **Jan. 14, 2002**

(51) **LOC (7) Cl. 02-03**

(52) **U.S. Cl. D2/893**

(58) **Field of Search** D2/865, 866, 872,
D2/873, 876, 879, 882, 893; 2/171, 181,
195.1, 175.5, 209.12, 209.13

(56) **References Cited**

U.S. PATENT DOCUMENTS

4,321,708	A	3/1982	Trolano	
4,793,006	A	12/1988	Dawson	
5,003,639	A	4/1991	White	
5,075,898	A	12/1991	Bedient	
D349,596	S	8/1994	Booth	
5,410,761	A	5/1995	Connelly et al.	
6,138,279	A	* 10/2000	Gore	2/175.5
6,158,055	A	* 12/2000	Park	2/195.1
6,237,155	B1	* 5/2001	Seegar	2/175.1
6,272,689	B1	* 8/2001	Kronenberger	2/175.1

6,311,331	B1	* 11/2001	Park	2/195.1
D452,767	S	* 1/2002	Balloni et al.	D2/882
D453,608	S	* 2/2002	Park	D2/866
D455,539	S	* 4/2002	Kates	D2/882
6,408,443	B1	* 6/2002	Park	2/195.1
6,457,184	B1	* 10/2002	Adams	2/209.13

* cited by examiner

Primary Examiner—Caron D. Veynar
Assistant Examiner—Mimosa De

(57) **CLAIM**

The ornamental design for a semi-piping visor, as shown and described.

DESCRIPTION

FIG. 1 is a perspective view of a cap with semi-piping visor showing my new design;
FIG. 2 is a front elevational view of FIG. 1;
FIG. 3 is a top plan view of FIG. 1;
FIG. 4 is a right side elevational view of FIG. 1; the opposite side being a mirror image; and,
FIG. 5 is a bottom plan view of FIG. 1.
The broken line showing of the crown is for illustrative purposes only and forms no part of the claimed design.
The broken line shown on the visor represents stitching.

1 Claim, 3 Drawing Sheets

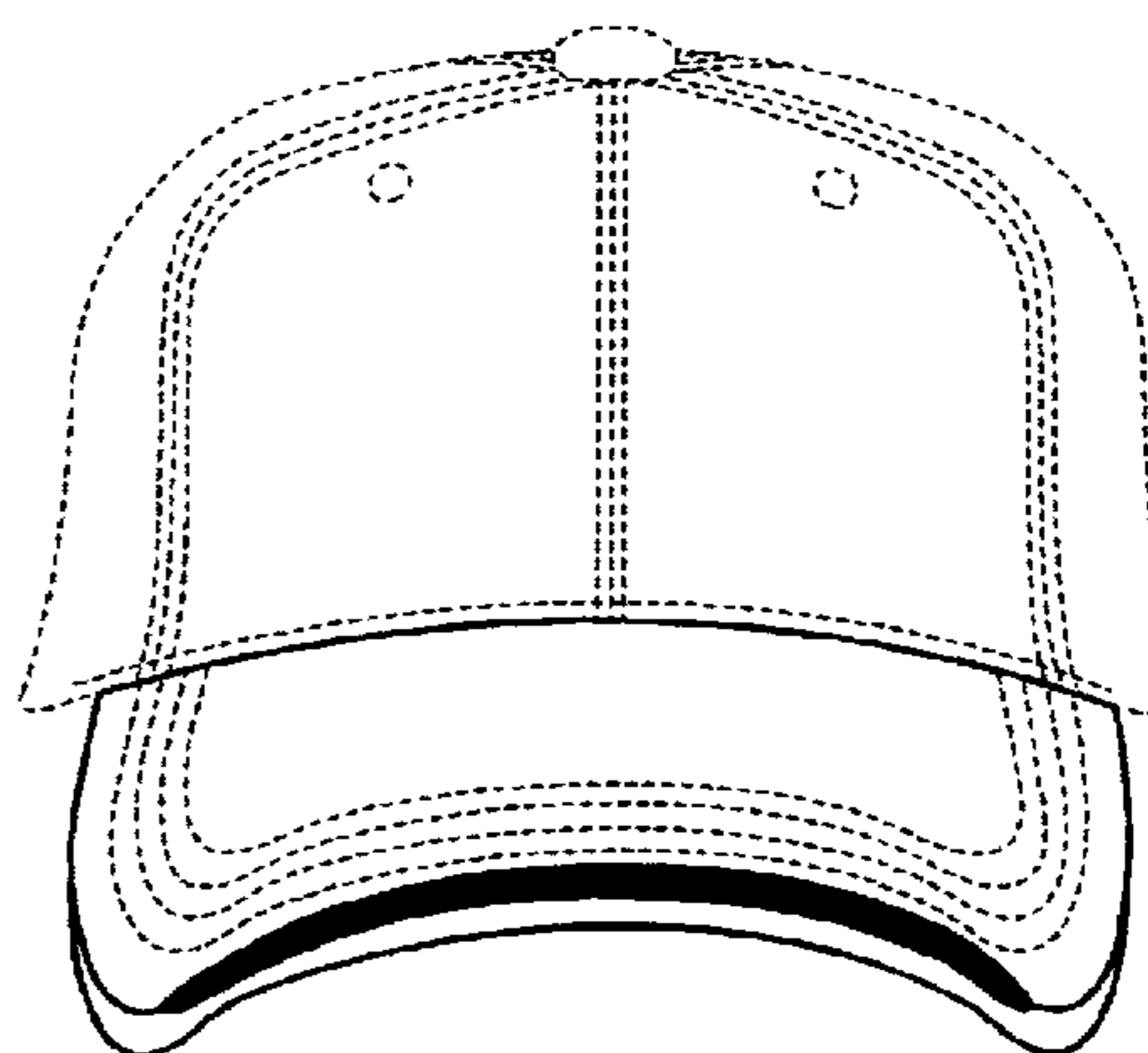
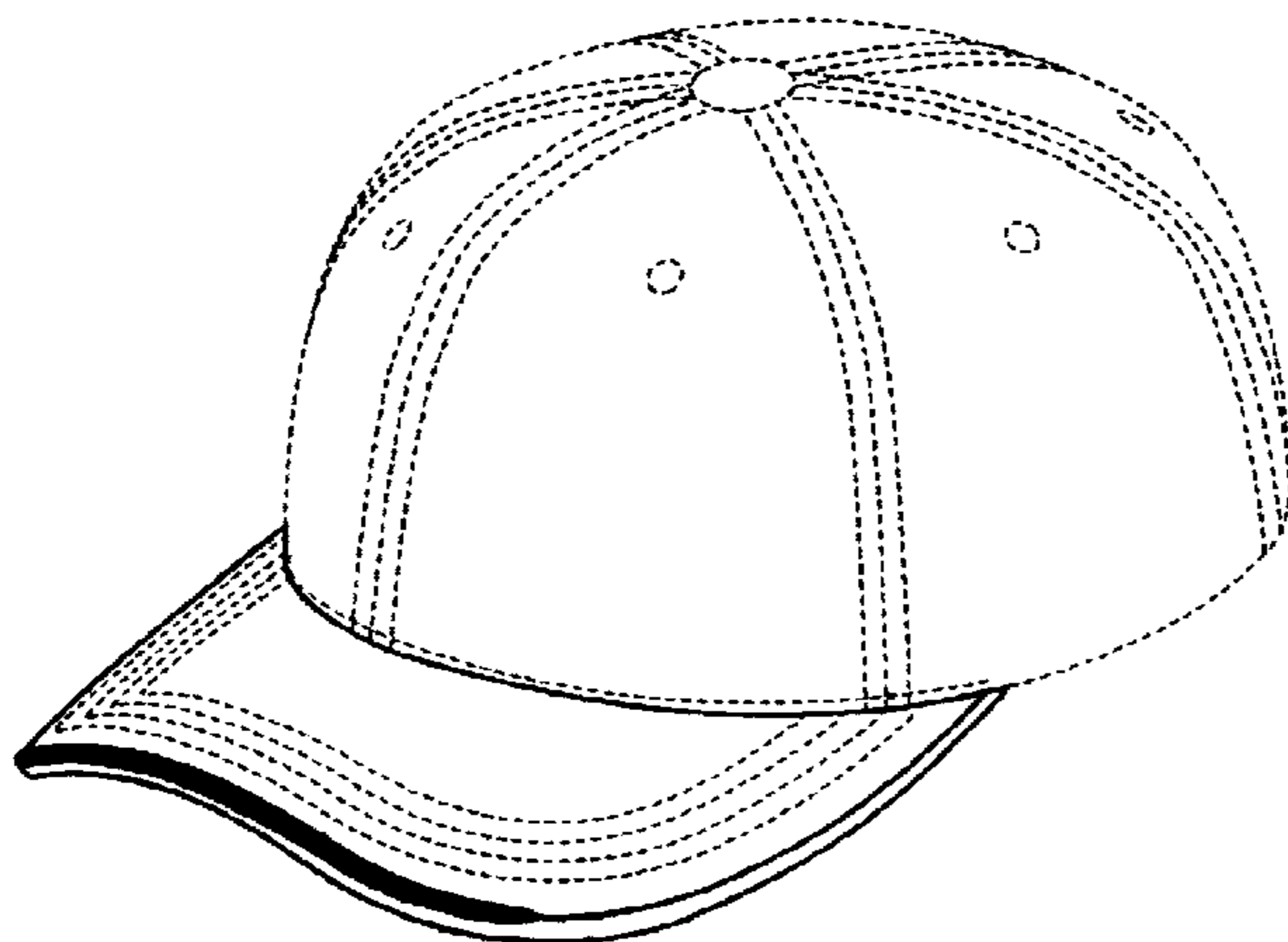


FIG.1

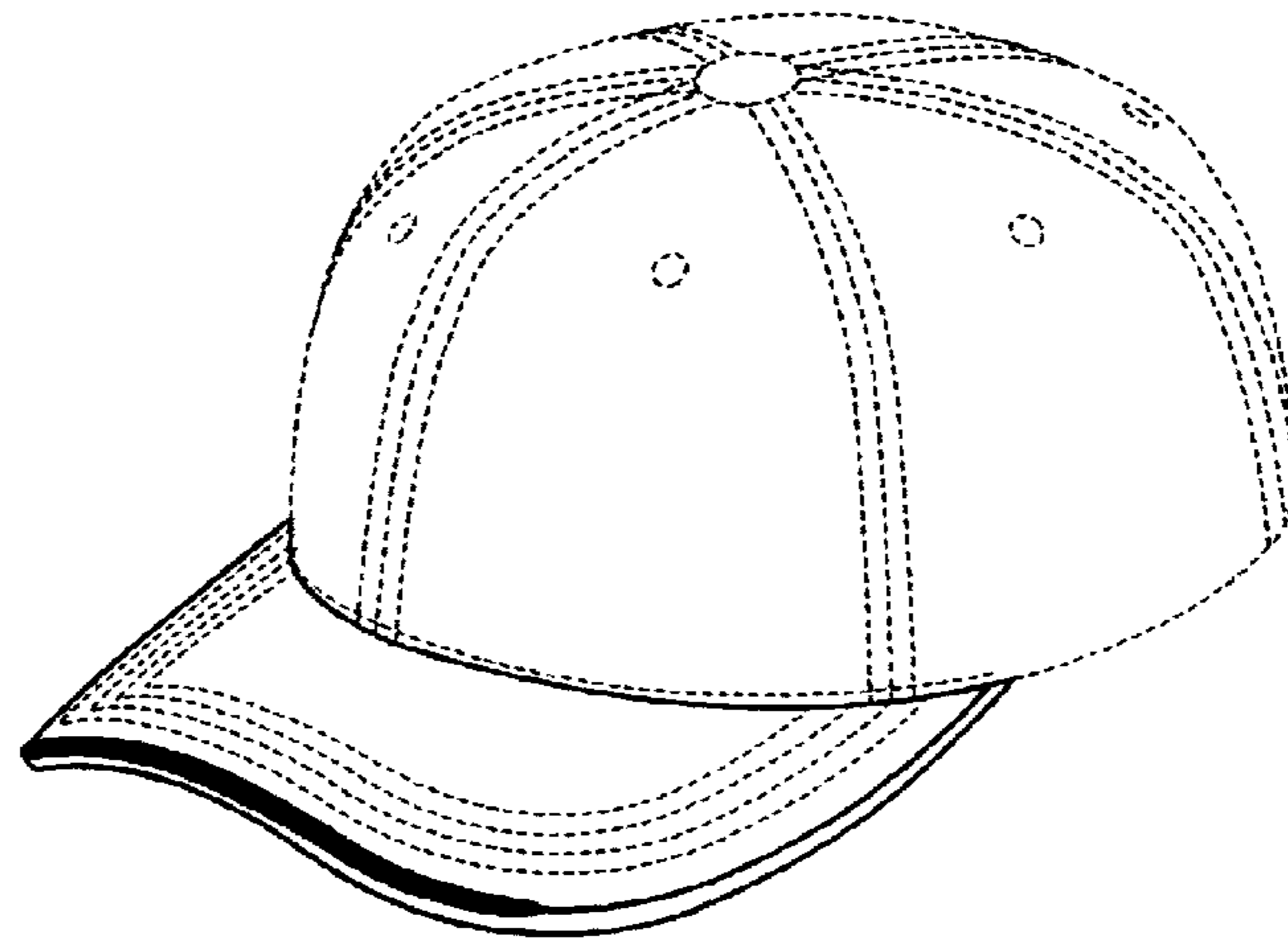


FIG.2

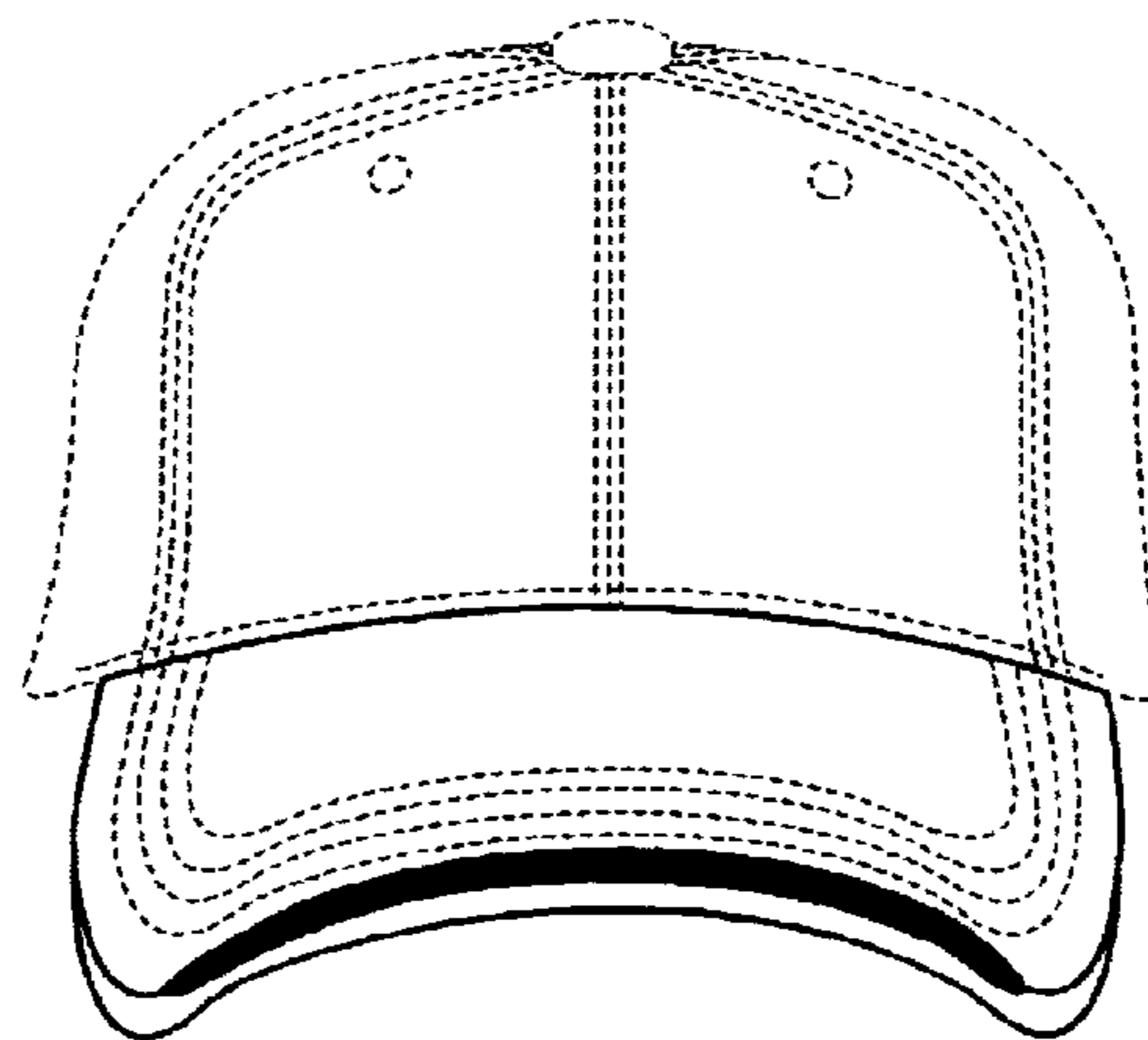


FIG.3

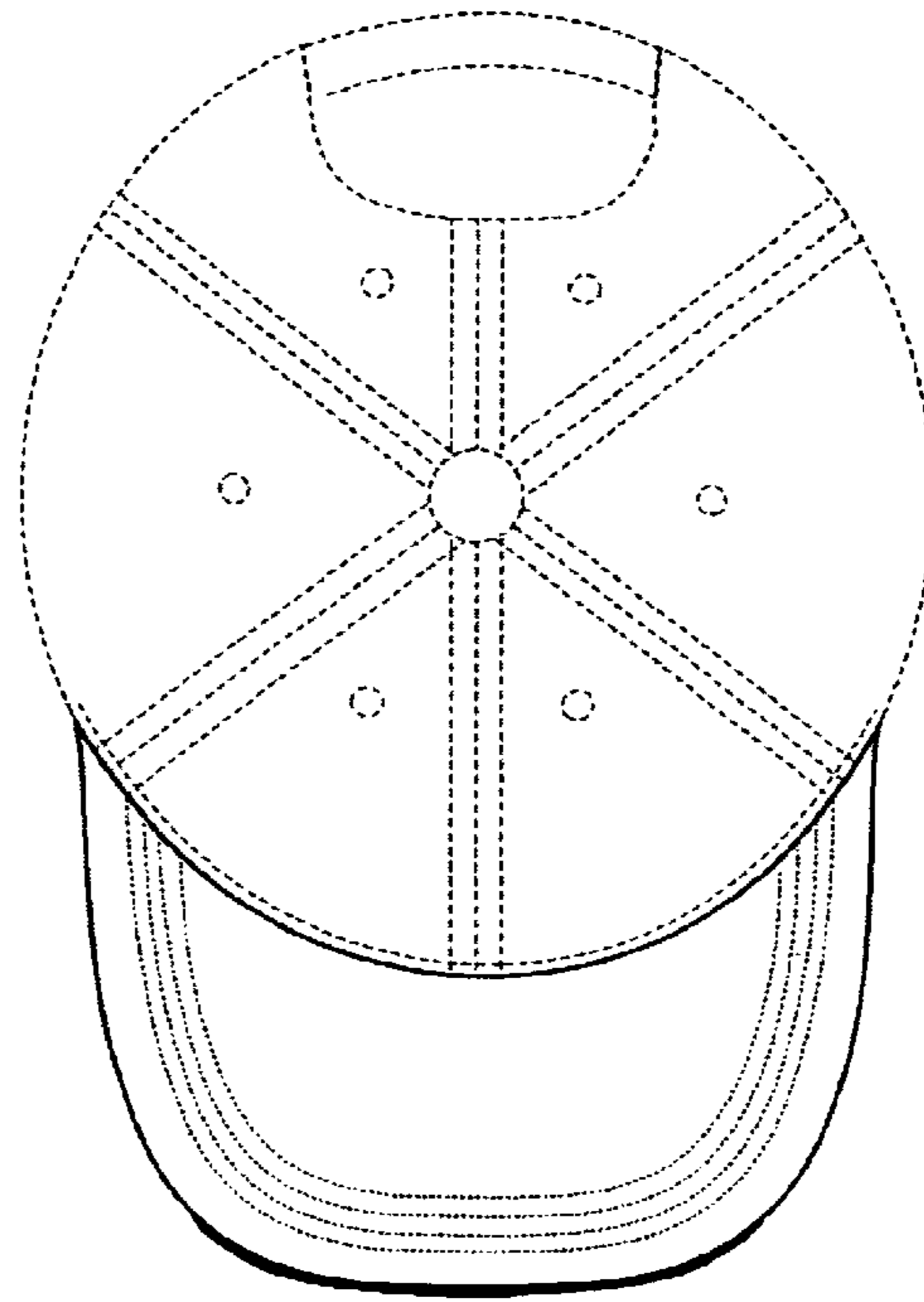


FIG.4

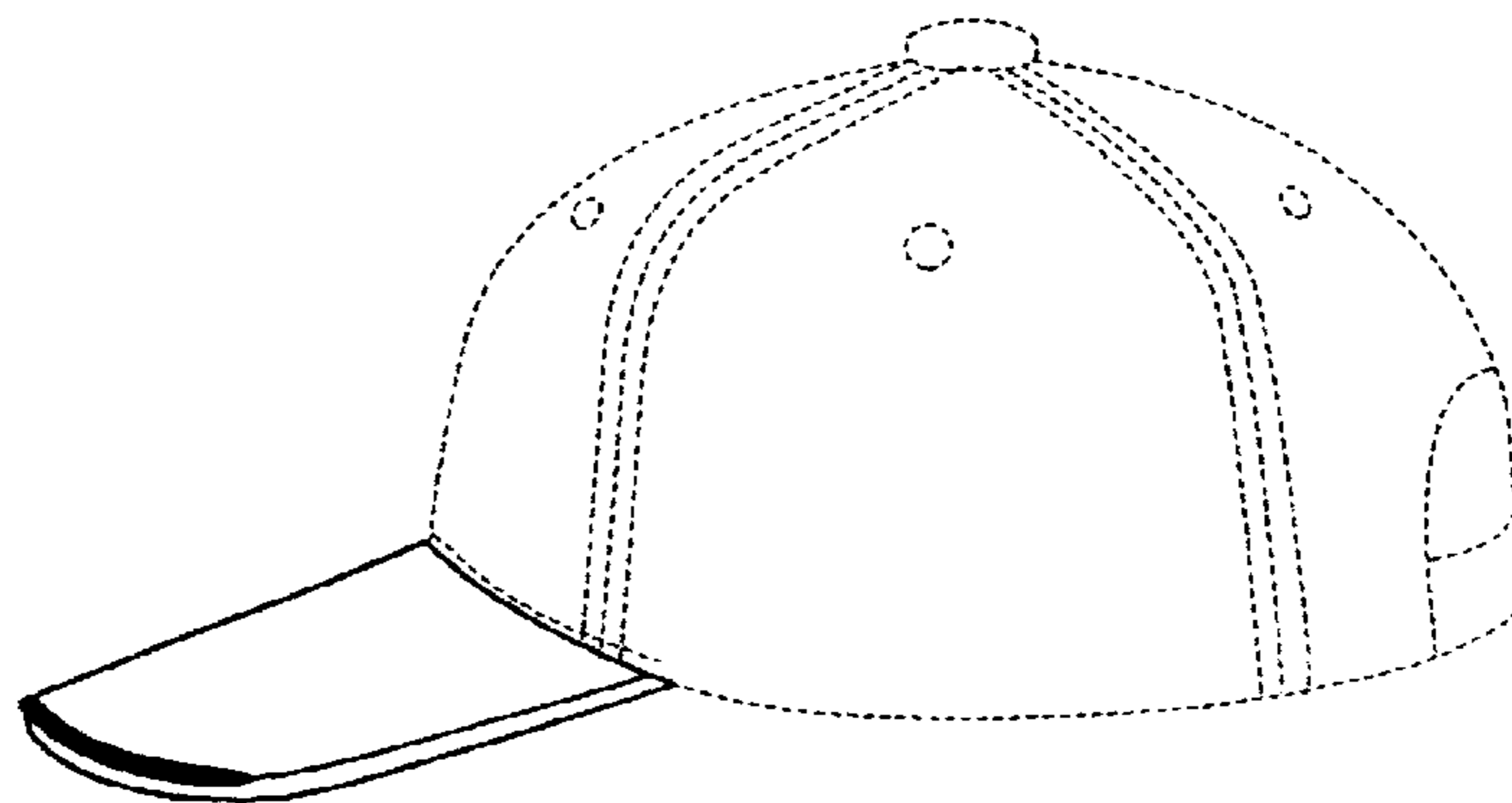


FIG. 5

