



US00D492460S1

(12) **United States Design Patent**
Thorpe

(10) **Patent No.:** **US D492,460 S**
(45) **Date of Patent:** **** Jun. 29, 2004**

(54) **FLEXIBLE CONTAINER SUPPORT FRAME**

(75) **Inventor:** **John Richard Thorpe, Natal (ZA)**

(73) **Assignee:** **Almar Packaging International Inc.,
London (GB)**

(**) **Term:** **14 Years**

(21) **Appl. No.:** **29/182,107**

(22) **Filed:** **May 21, 2003**

(30) **Foreign Application Priority Data**

Dec. 2, 2002 (ZA) A2002/1419

(51) **LOC (7) Cl.** **09-08**

(52) **U.S. Cl.** **D34/38**

(58) **Field of Search** D34/38; 108/51.11,
108/52.1, 53.1, 53.3, 55.1, 56.1, 56.3

(56) **References Cited**

U.S. PATENT DOCUMENTS

- 3,000,602 A * 9/1961 O'Brien 108/14
- D213,080 S * 12/1968 Detangler D34/28
- D226,186 S * 1/1973 Melnick D34/38
- 4,266,678 A * 5/1981 Daly 211/194
- 5,228,821 A * 7/1993 Gleffe et al. 414/403
- 5,242,255 A * 9/1993 Gleffe et al. 414/403

- 5,895,025 A * 4/1999 Alesi et al. 248/678
- 5,906,165 A * 5/1999 McCorkle et al. 108/55.1
- 6,058,852 A * 5/2000 Estvanko 108/55.3
- D428,679 S * 7/2000 Bridge D34/38
- D442,759 S * 5/2001 Bowman et al. D34/38
- D466,300 S * 12/2002 Walsh D3/304
- D466,690 S * 12/2002 Walsh D3/304
- D473,052 S * 4/2003 Dehenau D3/273

* cited by examiner

Primary Examiner—Cynthia E. Ramirez

(74) *Attorney, Agent, or Firm*—Young & Thompson

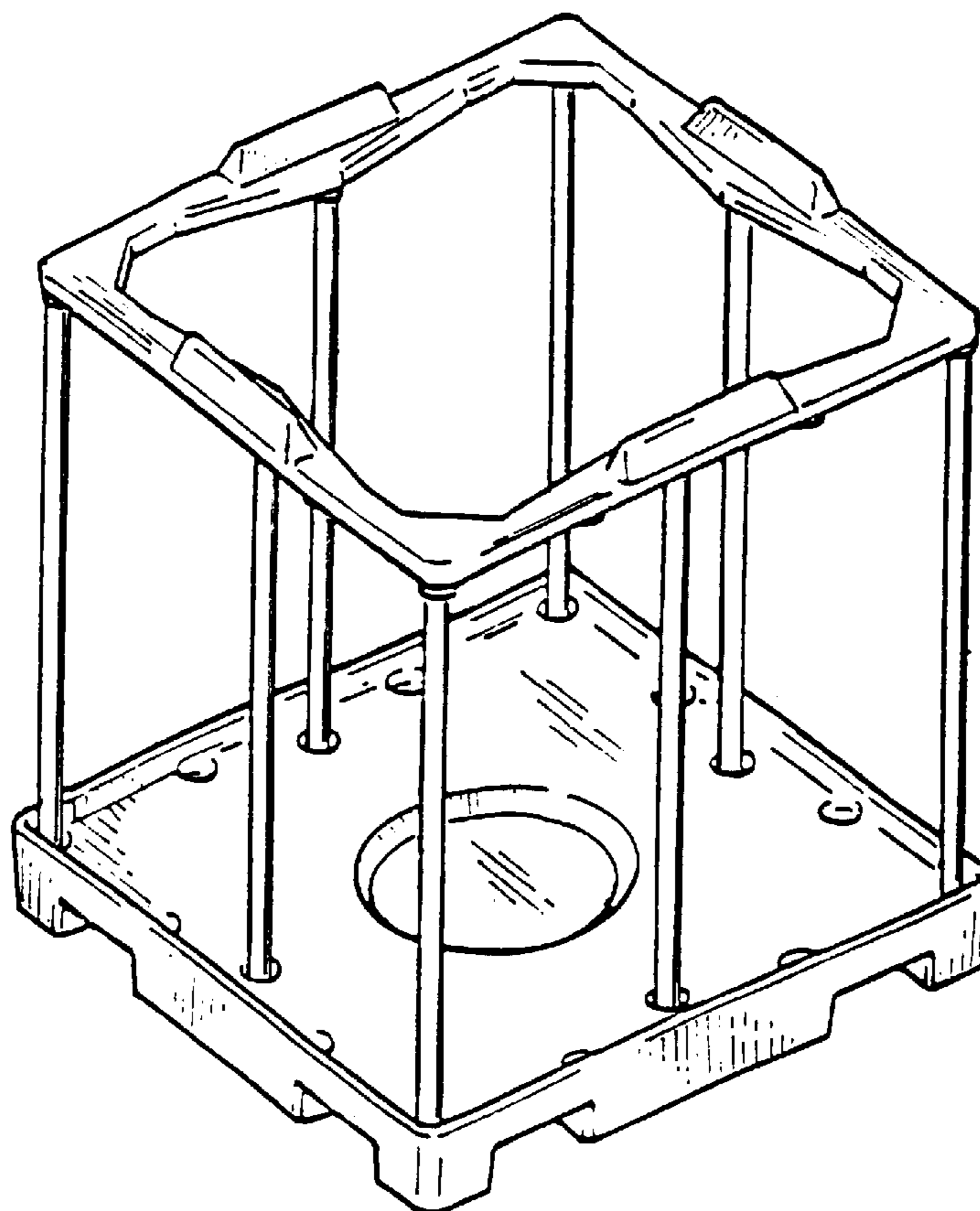
(57) **CLAIM**

The ornamental design for a flexible container support frame, shown and described.

DESCRIPTION

FIG. 1 is an isometric view from above of the flexible container support frame of the design;
 FIG. 2 is an isometric view from below of the support frame of FIG. 1;
 FIG. 3 is a side elevation of the support frame. The side elevations from the remaining three sides are identical;
 FIG. 4 is a top plan view of the support frame of FIG. 3;
 and,
 FIG. 5 is a bottom plan view of the FIG. 3 support frame.

1 Claim, 2 Drawing Sheets



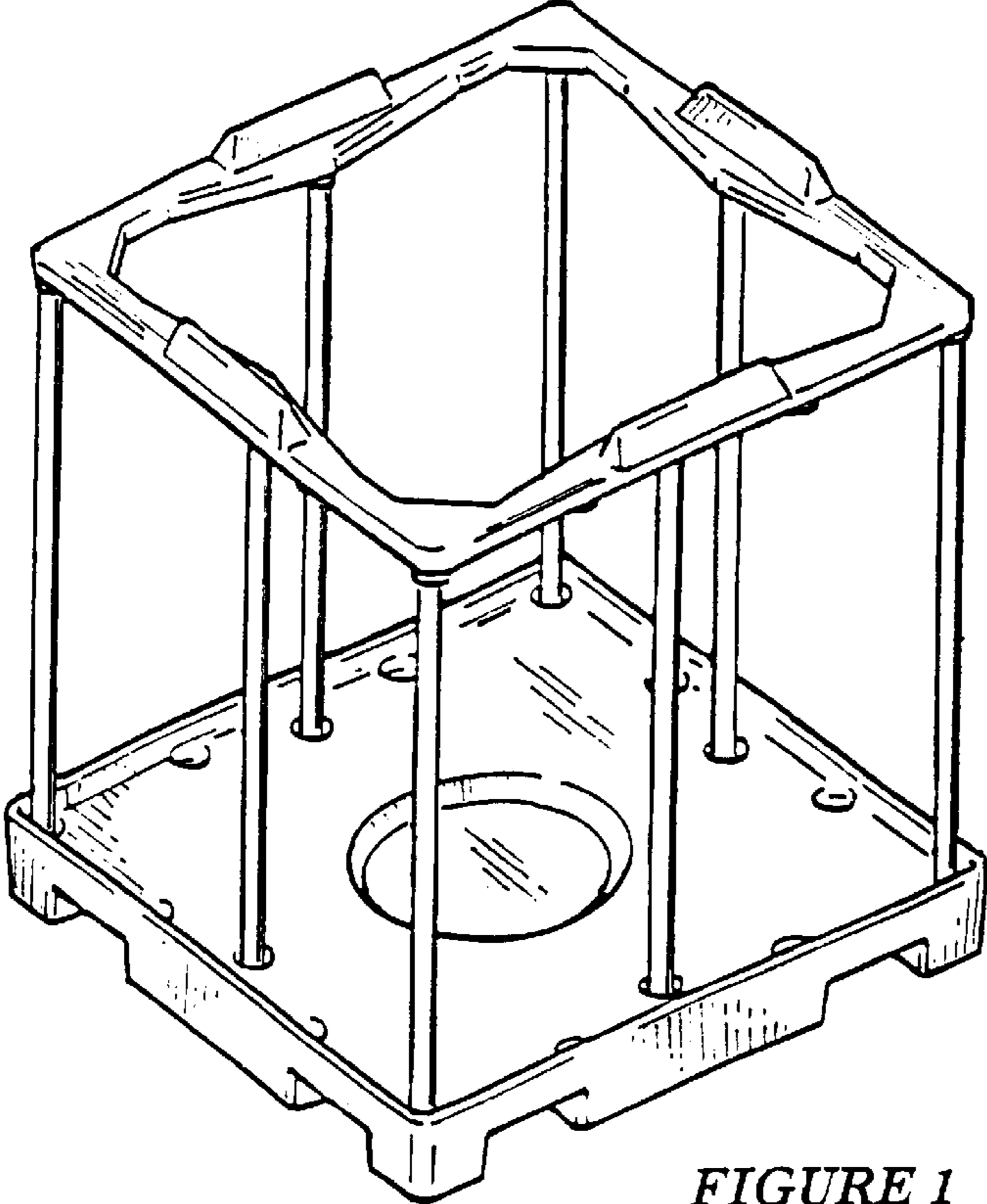


FIGURE 1

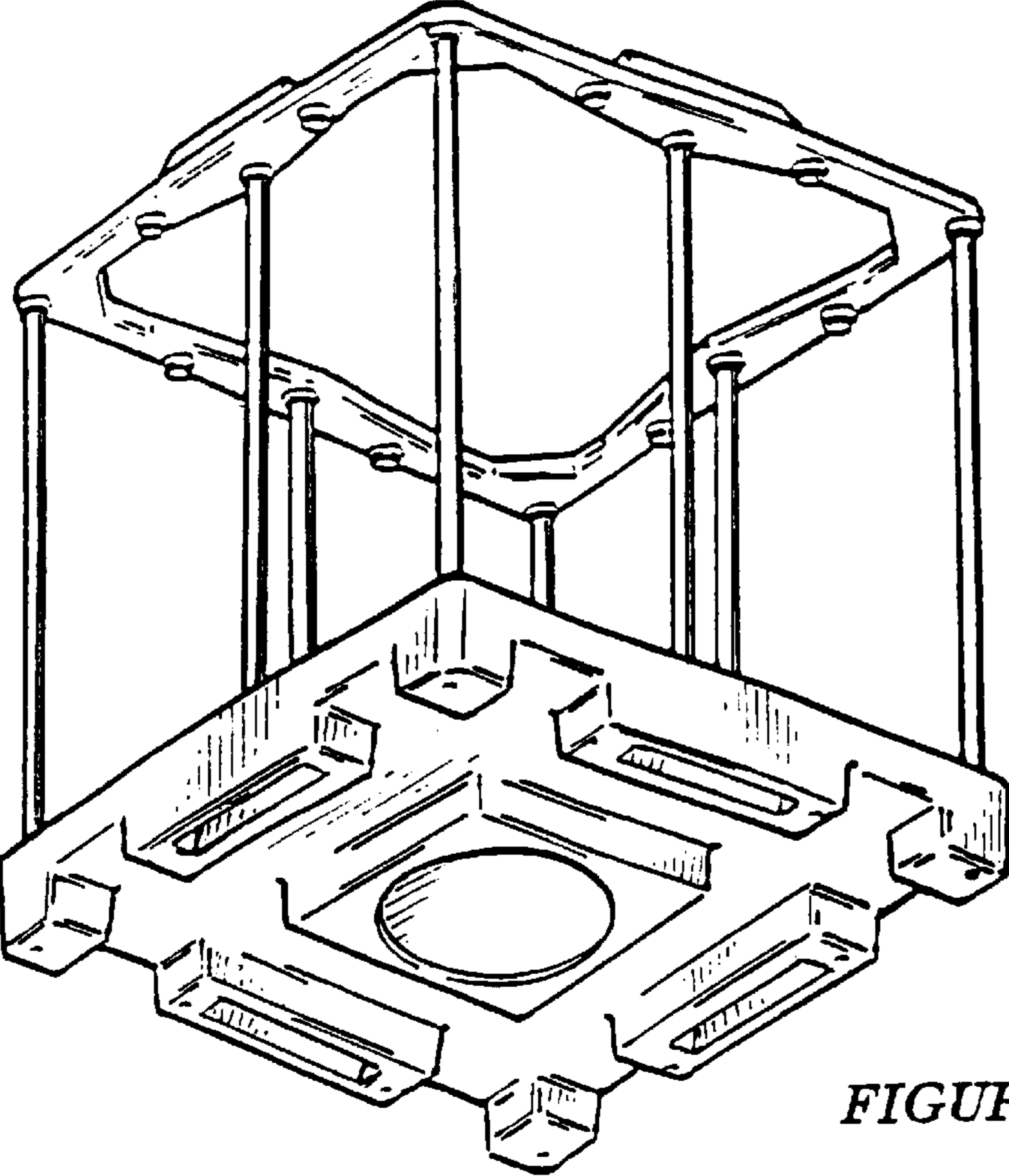


FIGURE 2

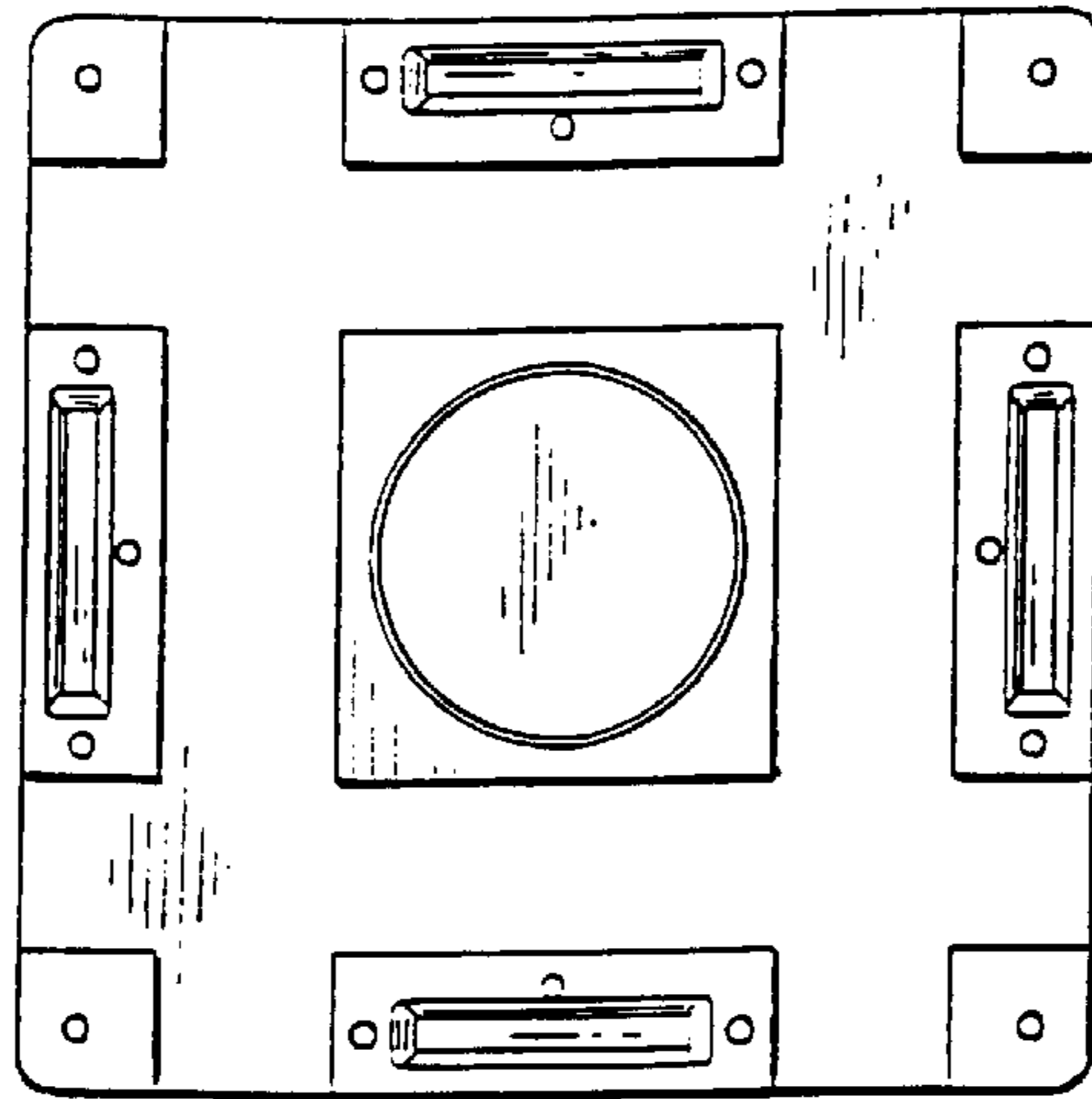


FIGURE 5

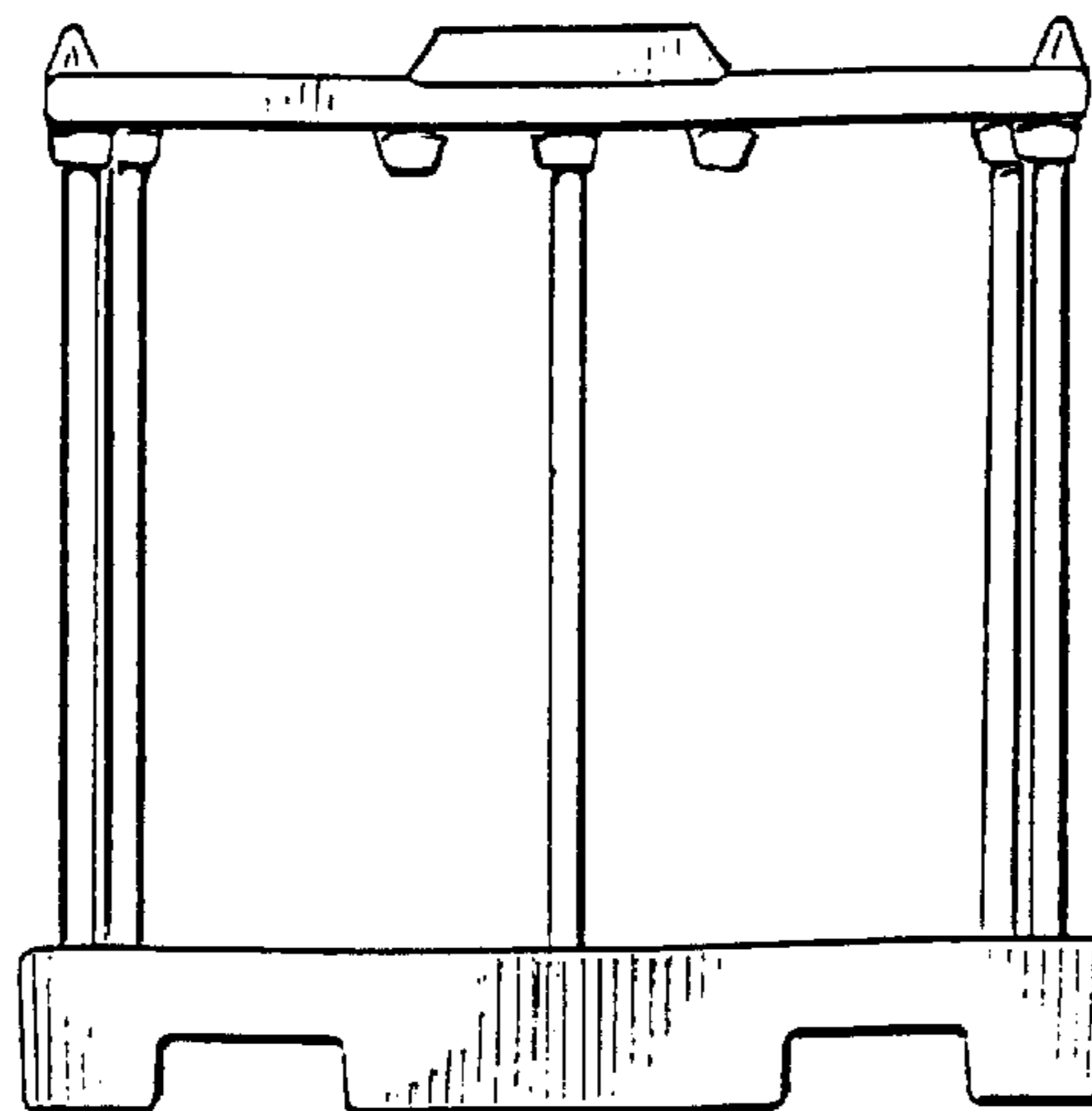


FIGURE 3

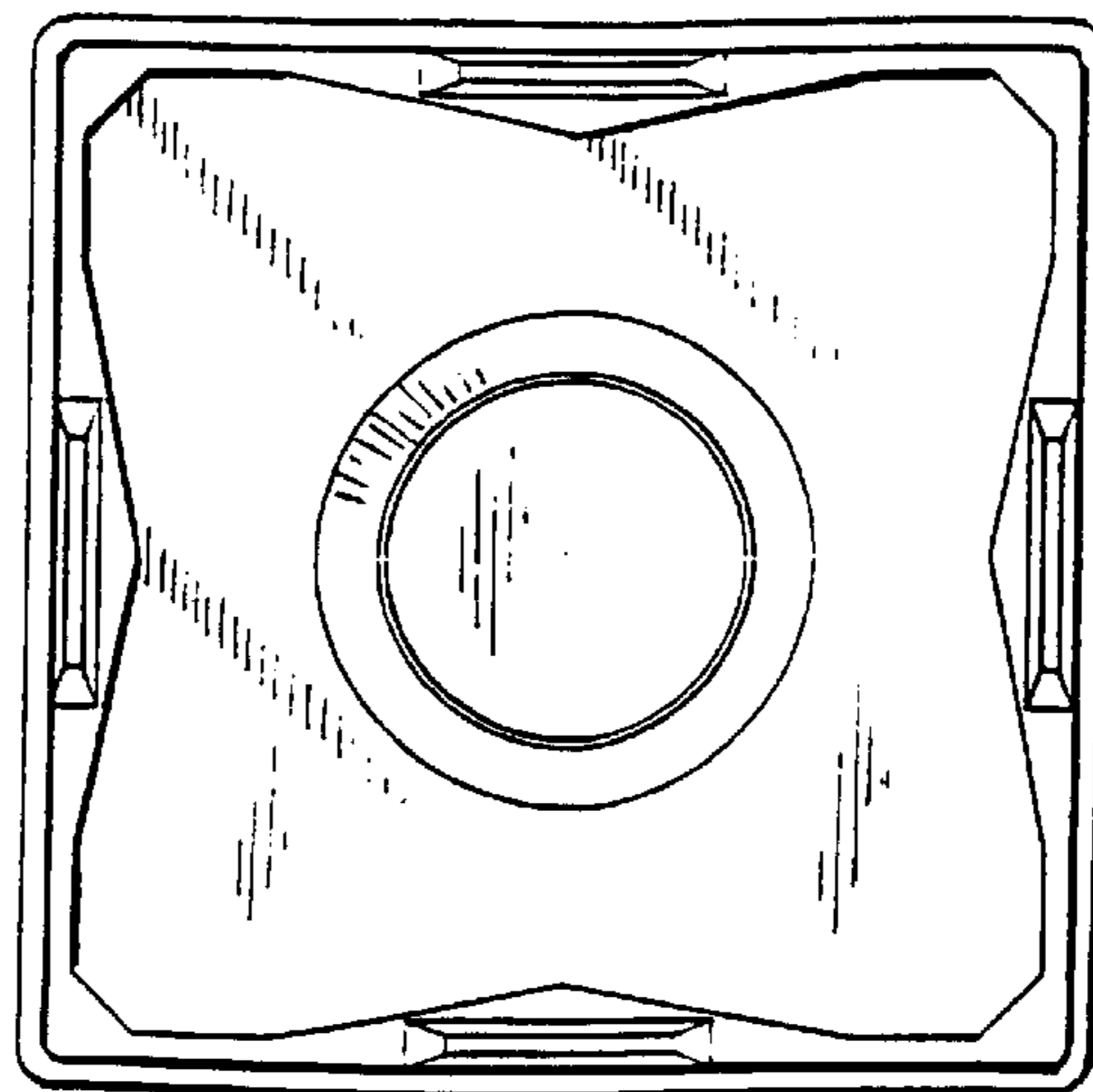


FIGURE 4