



US00D492458S1

(12) **United States Design Patent**
Jarast

(10) **Patent No.:** **US D492,458 S**
(45) **Date of Patent:** **** Jun. 29, 2004**

(54) **WHEELED CARRIER**
(75) **Inventor:** **Carlos Jarast**, Buenos Aires (AR)
(73) **Assignee:** **Pronto Wash S.A.**, Buenos Aires (AR)
(**) **Term:** **14 Years**

D362,527 S * 9/1995 Arrigoni D34/15
D410,126 S * 5/1999 Zorzo D34/17
D415,073 S * 10/1999 Meehan et al. D12/129
D430,826 S * 9/2000 Chen et al. D12/129

* cited by examiner

(21) **Appl. No.:** **29/160,098**
(22) **Filed:** **May 6, 2002**
(30) **Foreign Application Priority Data**

Nov. 6, 2001 (AR) 69.696

(51) **LOC (7) Cl.** **12-02**
(52) **U.S. Cl.** **D34/17; D34/19; D12/129**
(58) **Field of Search** D34/12-27; 280/33.991,
280/33.993, 33.998, 33.996, 47.38, 62,
47.34, 47.35, 79.11, 657, 642; D12/128,
129

Primary Examiner—Kay H. Chin
(74) *Attorney, Agent, or Firm*—Jacobson Holman PLLC

(57) **CLAIM**

I claim the ornamental design for the wheeled carrier, as shown and described.

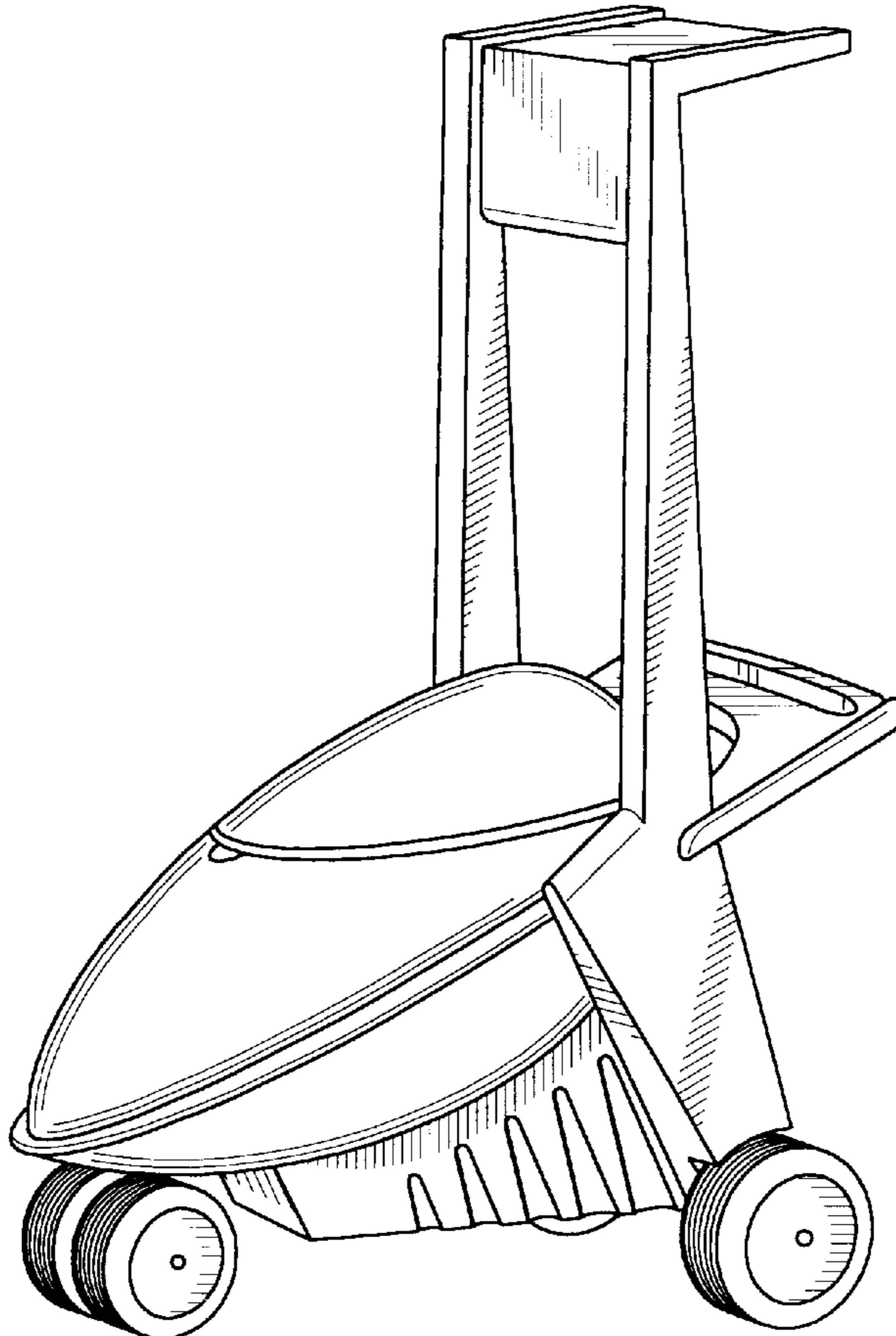
DESCRIPTION

FIG. 1 is a front perspective view of the wheeled carrier; FIG. 2 is a rear perspective view of the wheeled carrier; FIG. 3 is a front elevational view of the wheeled carrier; FIG. 4 is a left side elevational view of the wheeled carrier; FIG. 5 is a right side elevational view of the wheeled carrier; FIG. 6 is a rear elevational view of the wheeled carrier; FIG. 7 is a top plan view of the wheeled carrier; and, FIG. 8 is a bottom plan view of the wheeled carrier.

(56) **References Cited**
U.S. PATENT DOCUMENTS

5,149,115 A * 9/1992 Sampedro 280/33.998

1 Claim, 4 Drawing Sheets



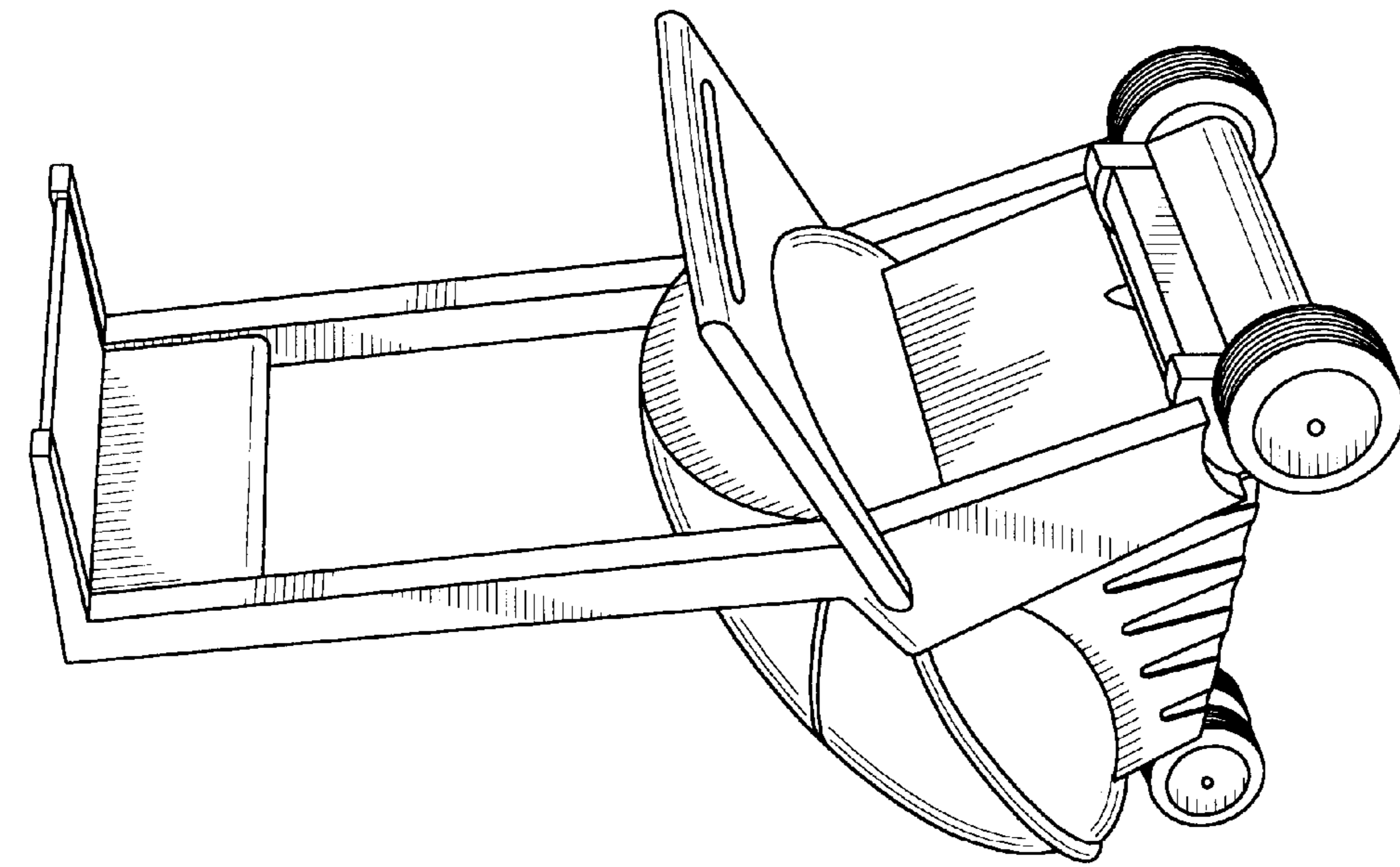


FIG. 1

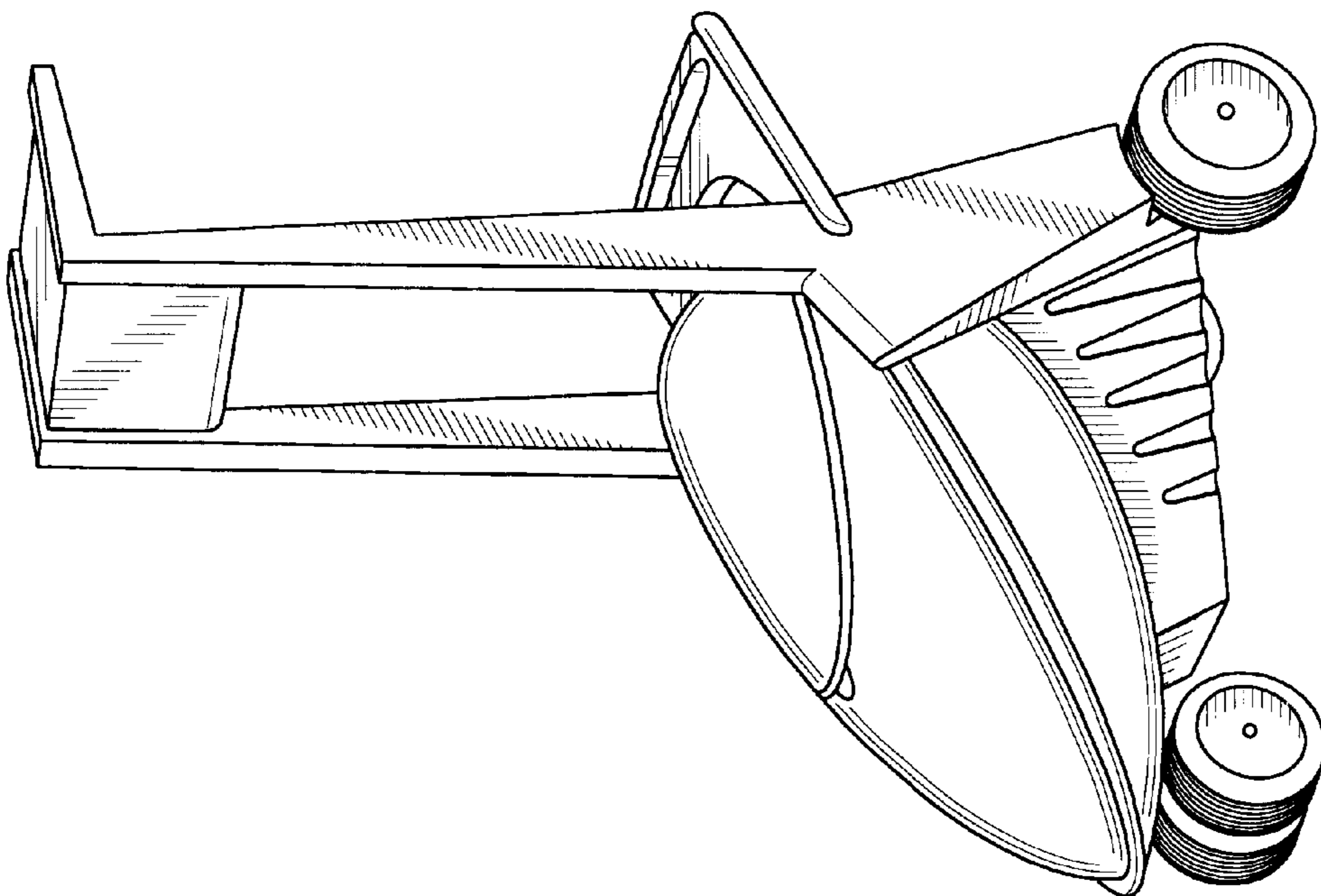


FIG. 2

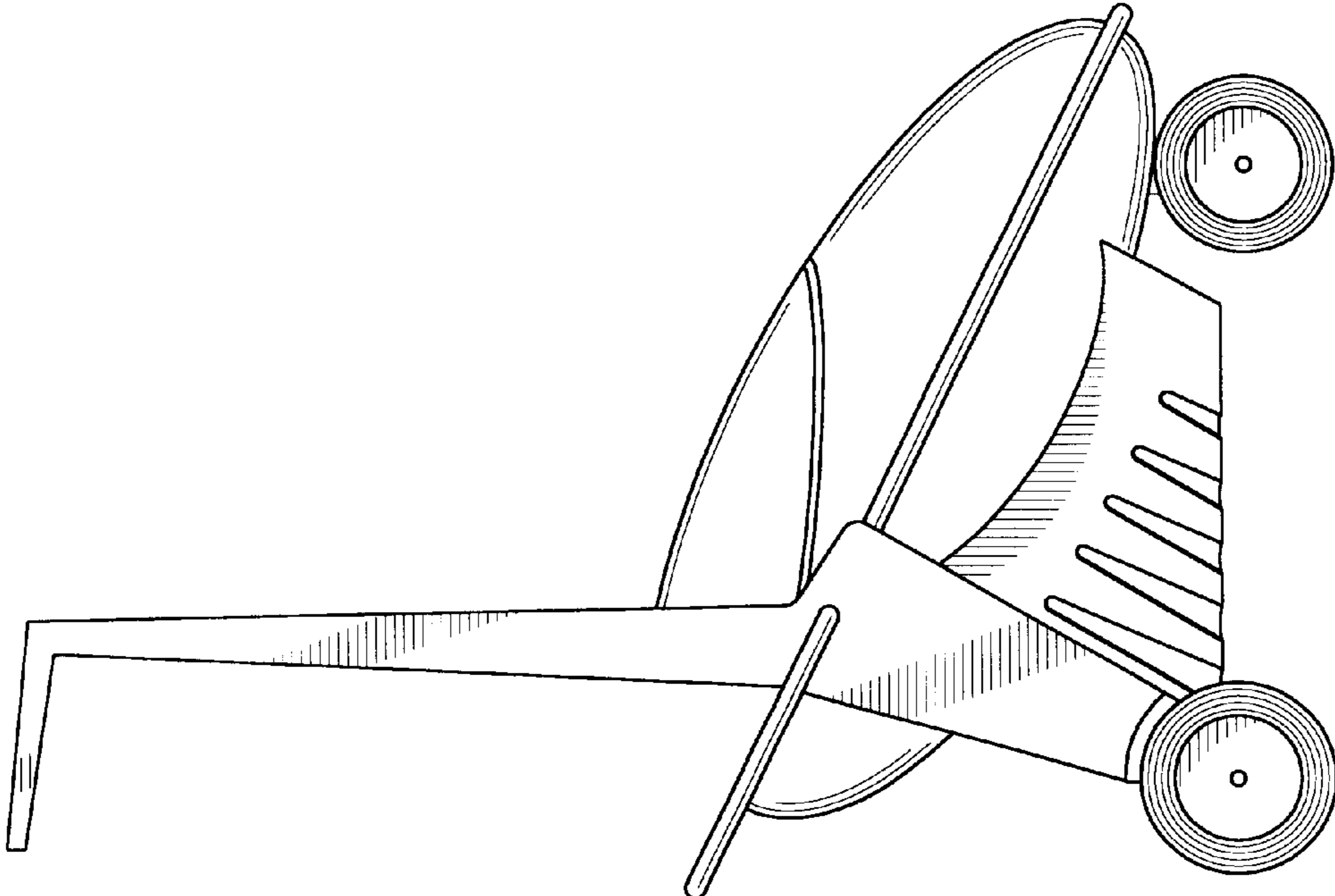


FIG.4

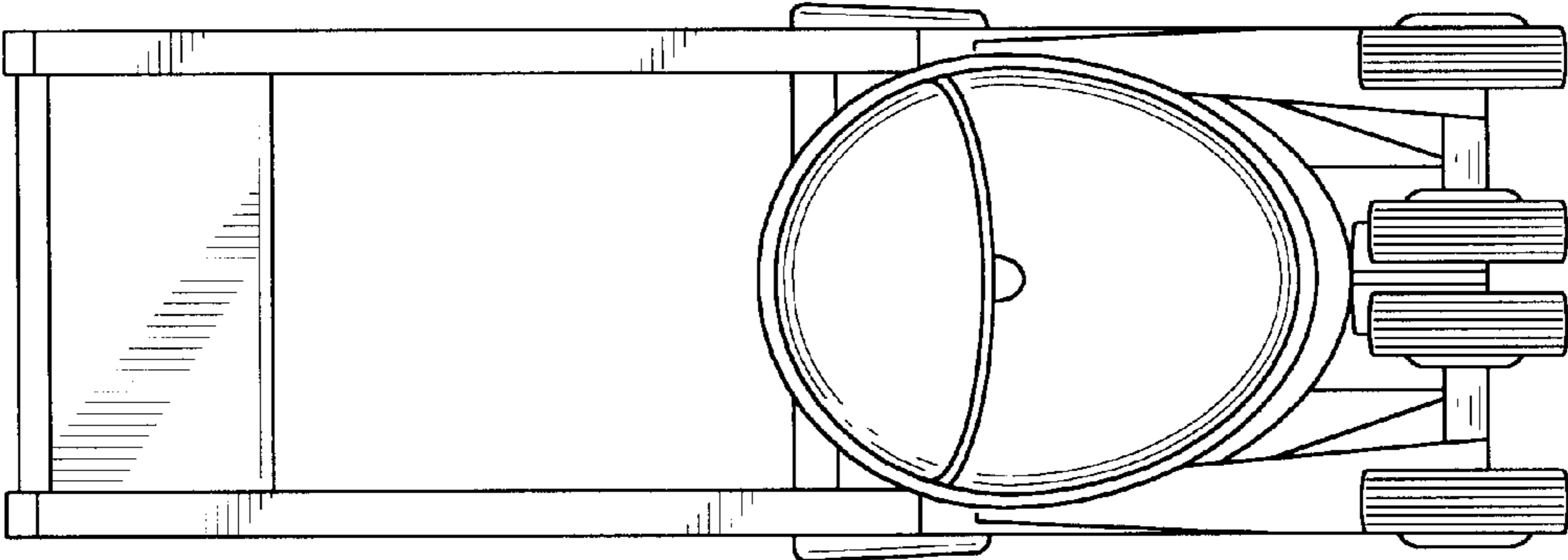


FIG.3

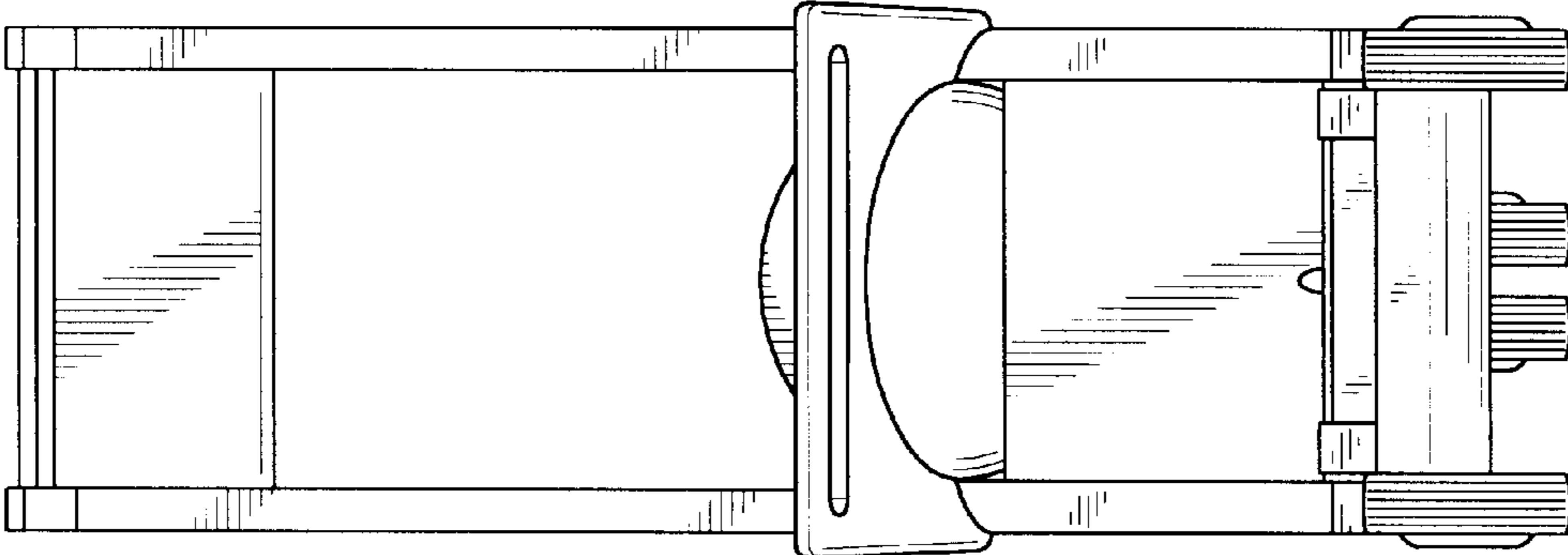


FIG.6

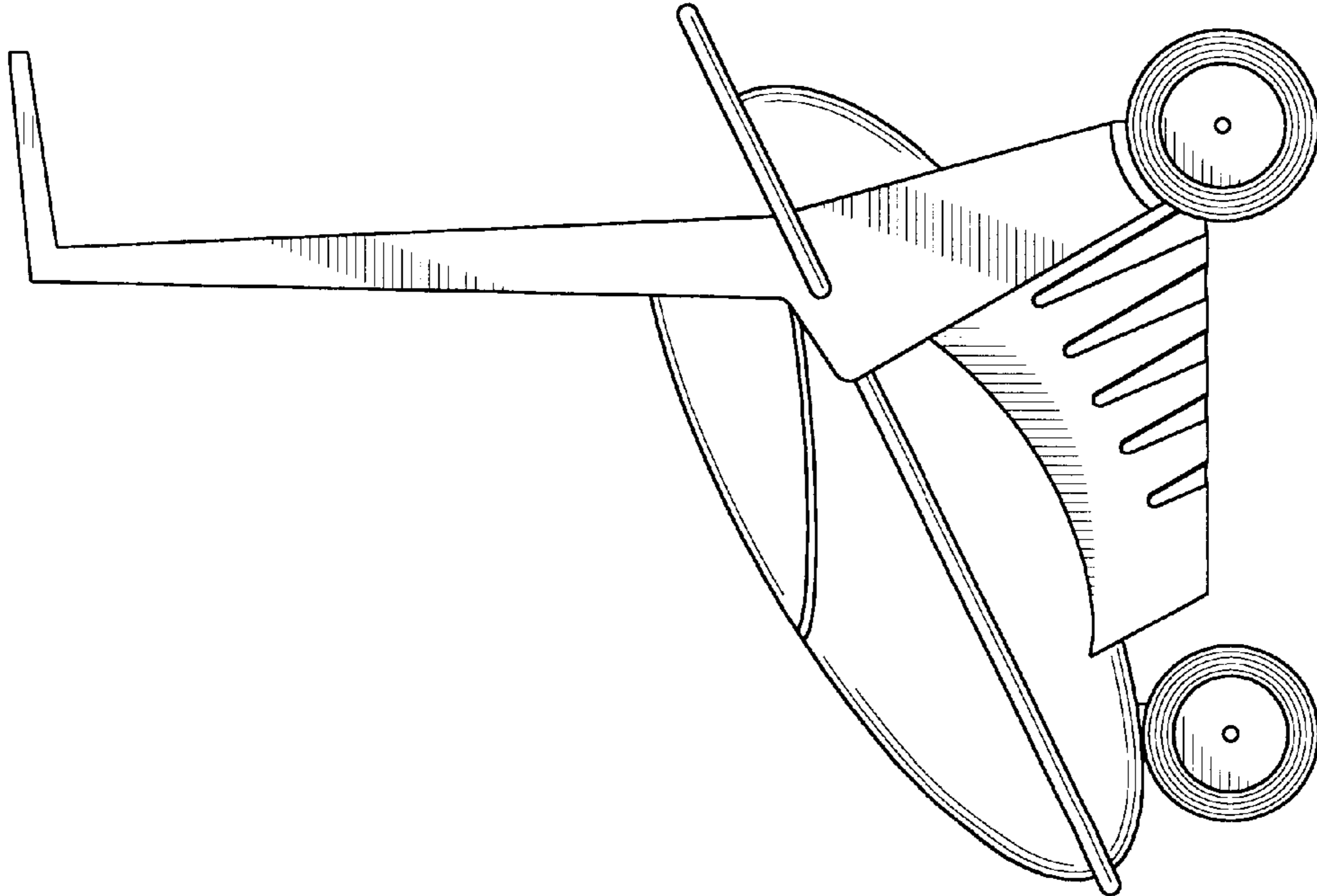


FIG.5

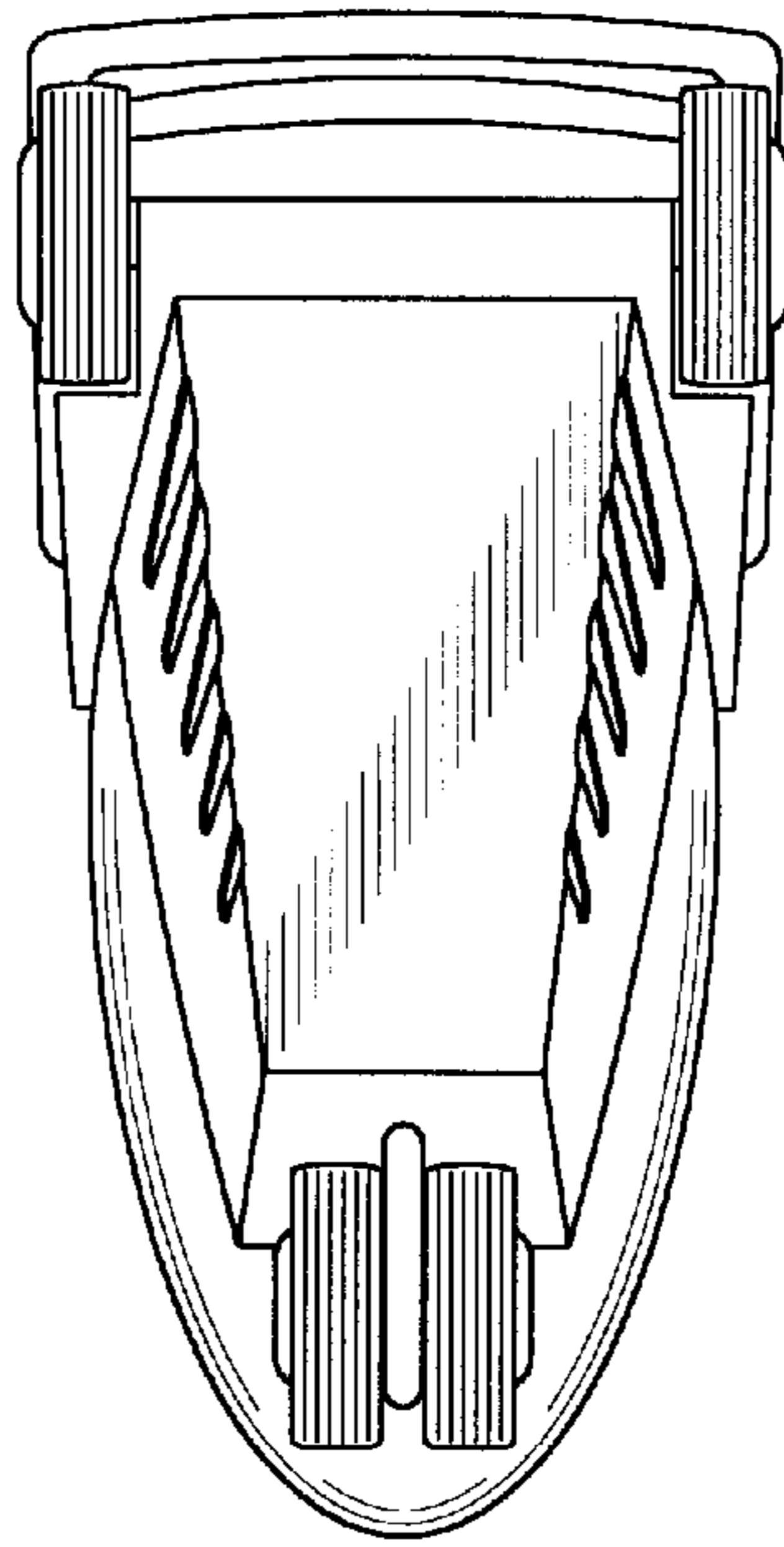


FIG. 8

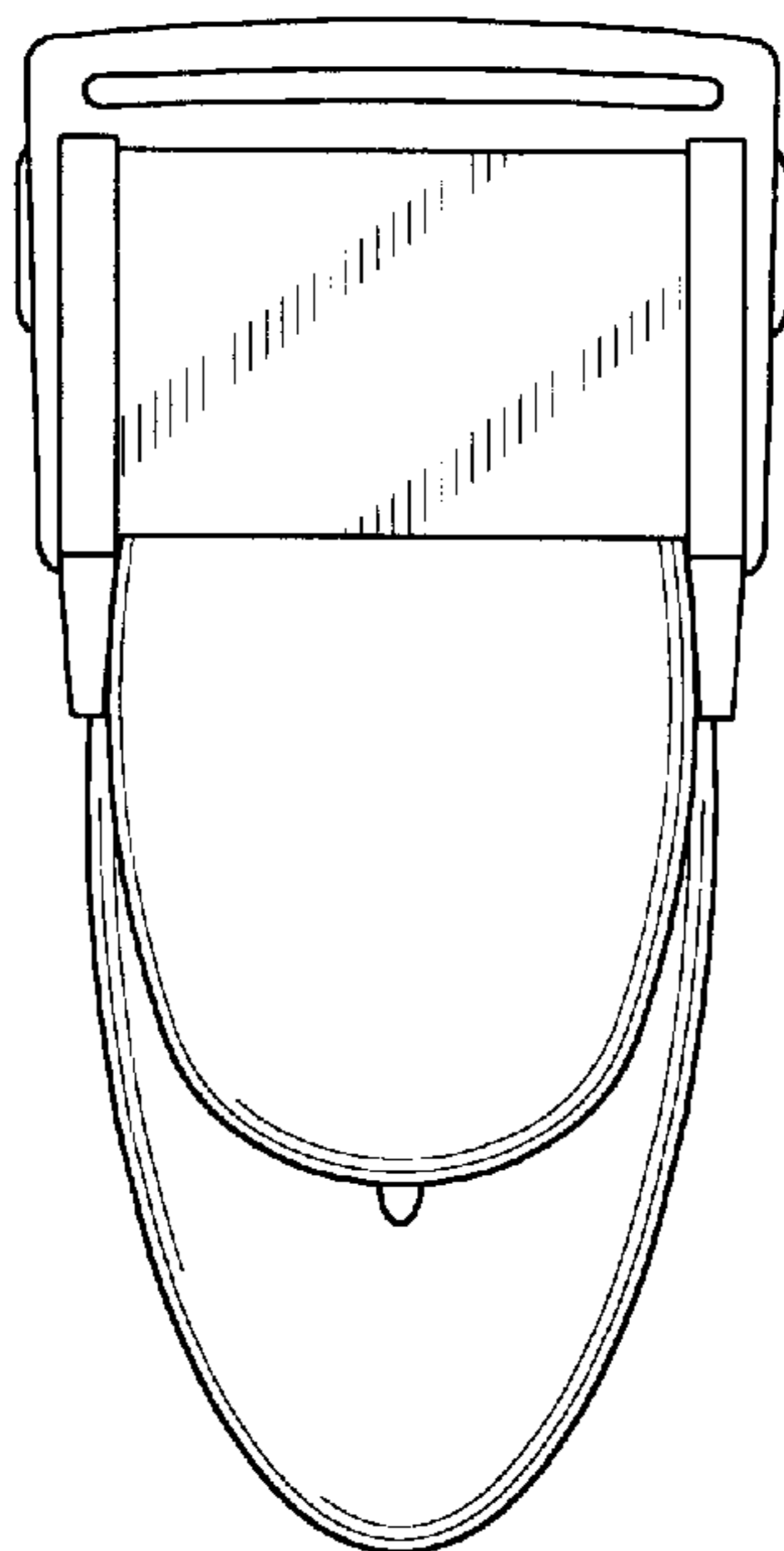


FIG. 7