



US00D492452S1

(12) **United States Design Patent**  
**White**

(10) **Patent No.:** **US D492,452 S**  
(45) **Date of Patent:** **\*\* Jun. 29, 2004**

- (54) **PROTECTED PET DISH**
- (76) **Inventor:** **Vikki White**, 590 Plantation Dr.,  
Conroe, TX (US) 77302
- (\*\*) **Term:** **14 Years**
- (21) **Appl. No.:** **29/189,283**
- (22) **Filed:** **Sep. 3, 2003**
- (51) **LOC (7) Cl.** ..... **30-03**
- (52) **U.S. Cl.** ..... **D30/129**
- (58) **Field of Search** ..... D30/117, 128,  
D30/108, 121, 129; 119/428-429, 459,  
52.1, 52.3, 57.9, 63, 463-464, 51.5, 57.8

5,349,925 A	9/1994	Zerato et al.	
D359,595 S	6/1995	Macri	
5,649,499 A	7/1997	Krietzman et al.	
5,740,762 A *	4/1998	Bennett	119/428
5,850,797 A	12/1998	Hunicke	
5,857,428 A	1/1999	Gitzen	
6,561,128 B1 *	5/2003	Carter	119/57.9

\* cited by examiner

*Primary Examiner*—Pamela Burgess

(57) **CLAIM**

The ornamental design for a protected pet dish, as shown and described.

**DESCRIPTION**

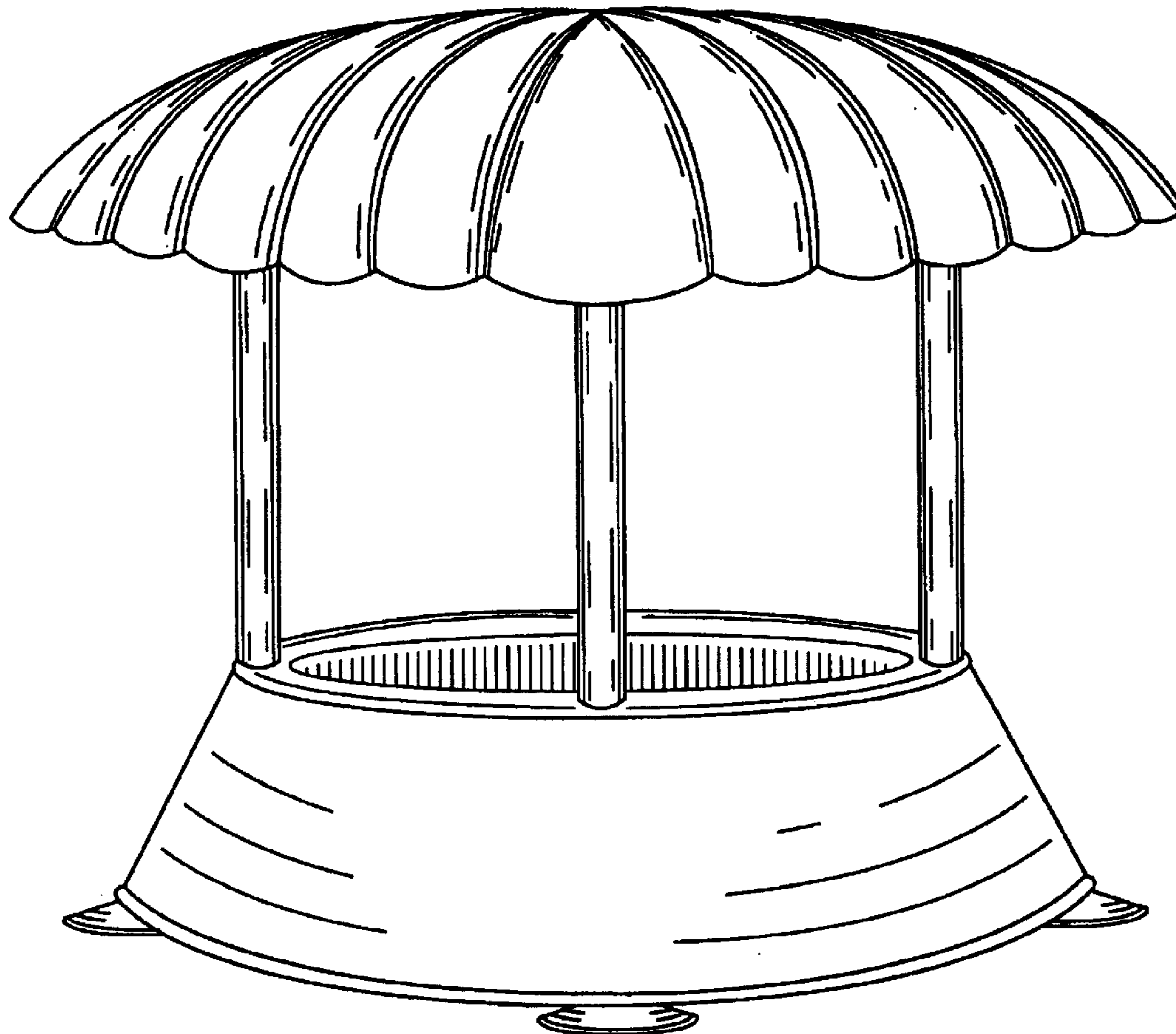
FIG. 1 is a front perspective view of a protected pet dish showing my new design;  
 FIG. 2 is a rear perspective view thereof;  
 FIG. 3 is a left side perspective view thereof;  
 FIG. 4 is a right side perspective view thereof;  
 FIG. 5 is a top plan view thereof; and,  
 FIG. 6 is a bottom plan view thereof.

**1 Claim, 5 Drawing Sheets**

(56) **References Cited**

**U.S. PATENT DOCUMENTS**

D43,277 S	*	11/1912	Hamilton	.....	D30/117
D241,149 S	*	8/1976	Miller et al.	.....	D30/128
4,029,051 A		6/1977	McKinney		
4,793,290 A		12/1988	O'Donnell		
D323,411 S		1/1992	Oathout		
5,148,626 A		9/1992	Haake, Sr.		
D343,030 S	*	1/1994	Harwick, Jr.	.....	D30/128



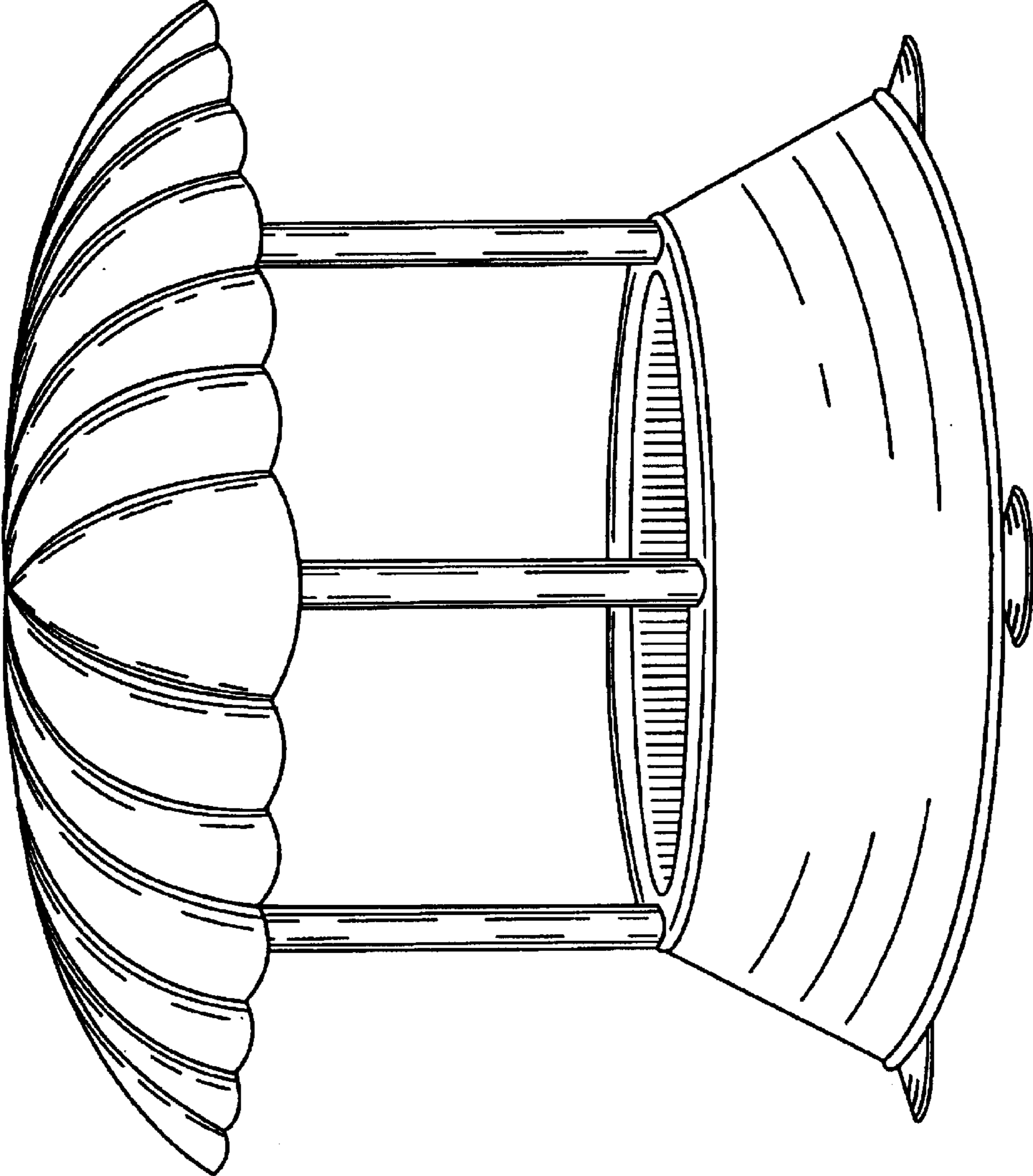


FIG. 1

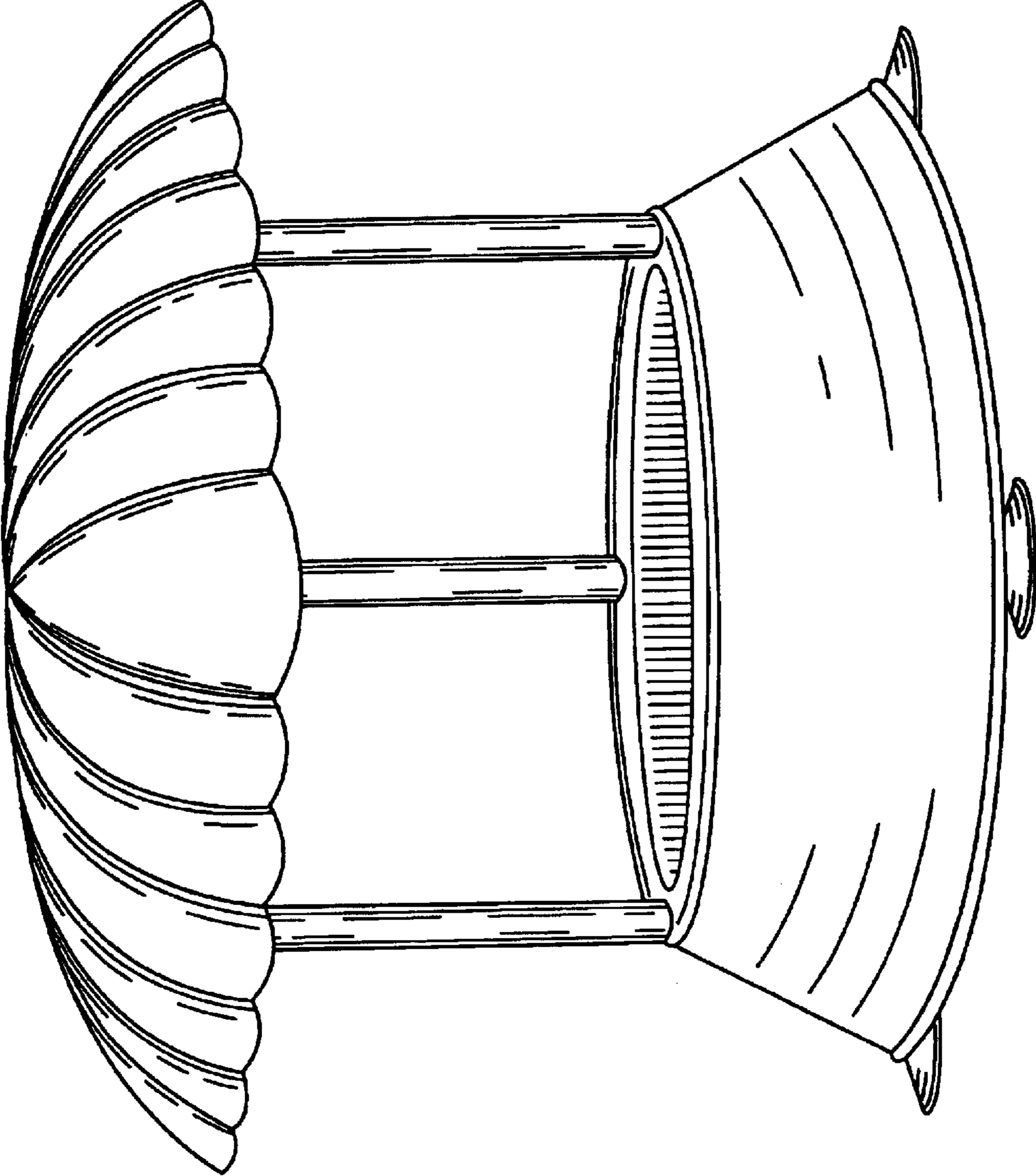


FIG. 2

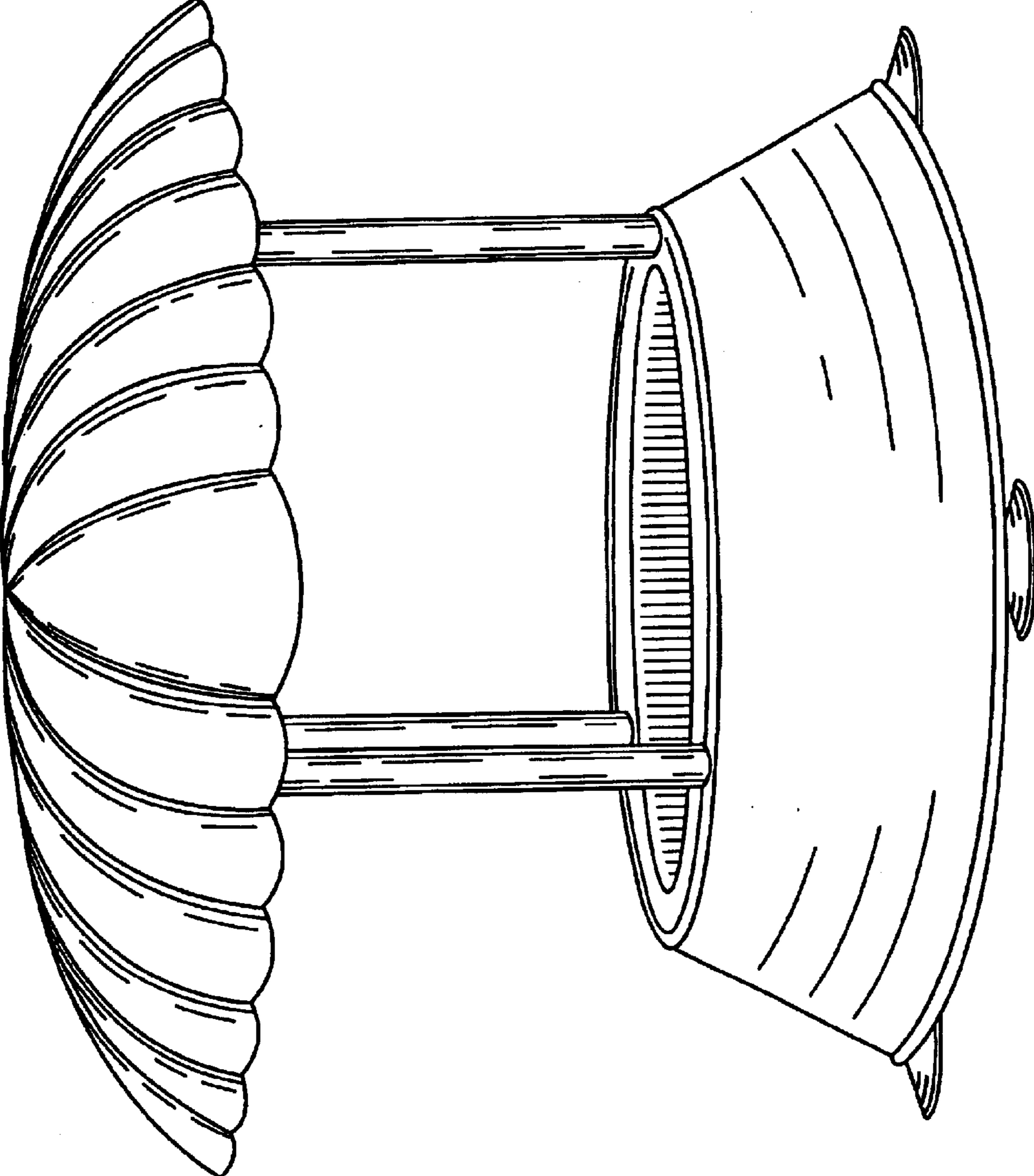


FIG. 3

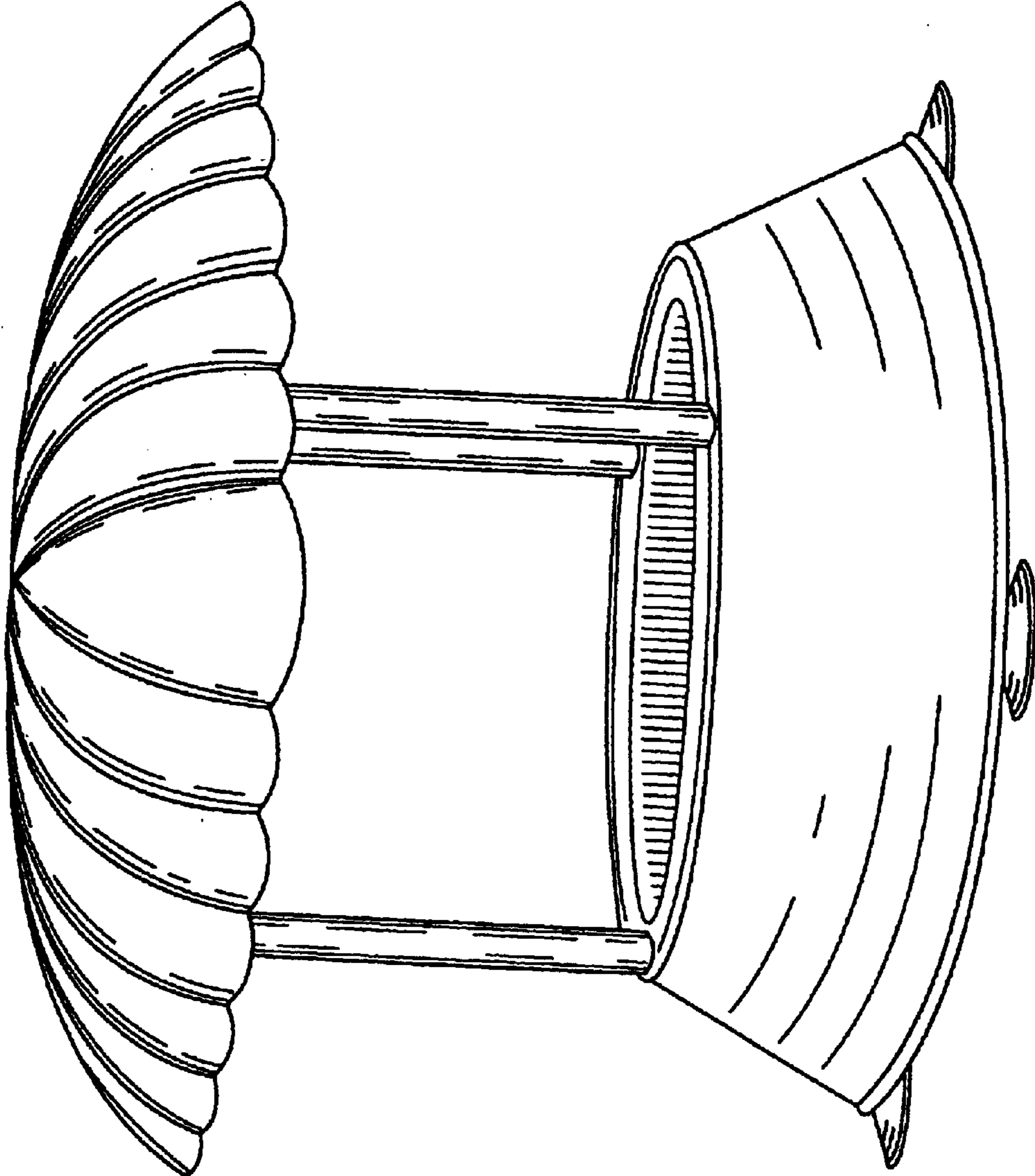
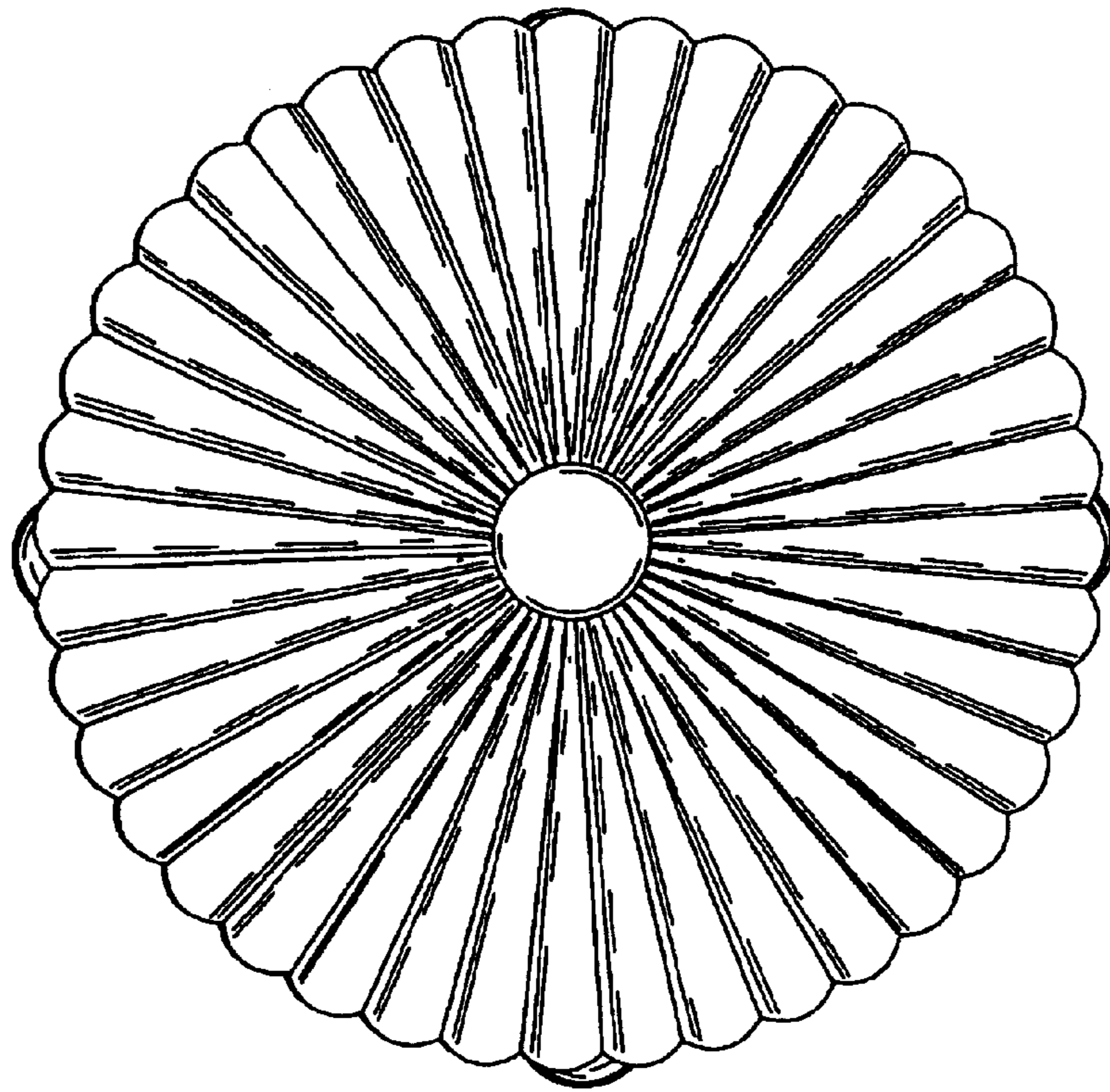
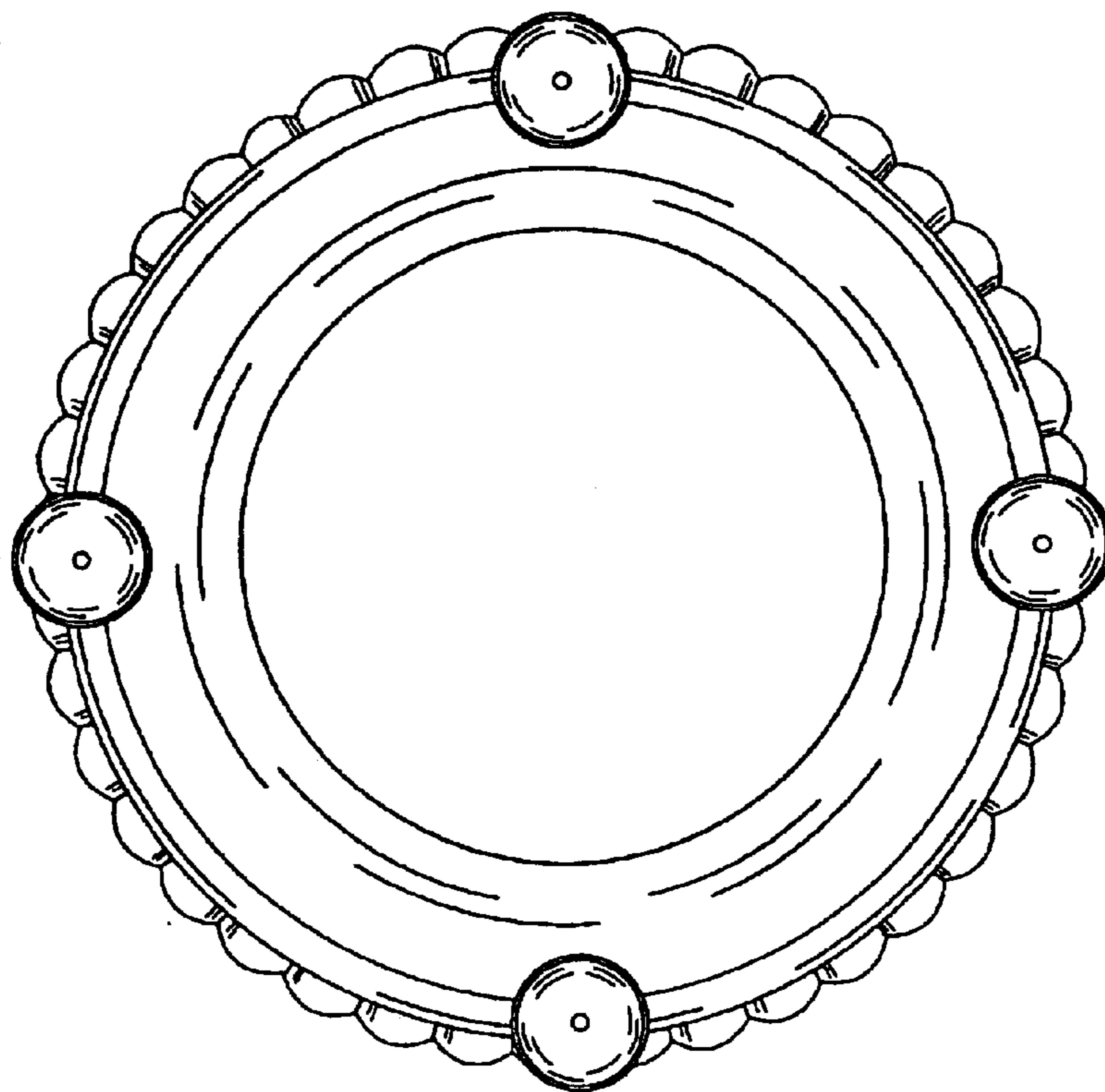


FIG. 4



*FIG. 5*



*FIG. 6*