



US00D492443S1

(12) **United States Design Patent** (10) **Patent No.:** **US D492,443 S**  
**Smith et al.** (45) **Date of Patent:** **\*\* Jun. 29, 2004**

(54) **RECHARGEABLE LAMP**

(75) Inventors: **Duane B. Smith**, Roxbury, MA (US);  
**Stéfane E. Barbeau**, Roxbury, MA (US)

(73) Assignee: **Vessel, Inc.**, Brookline, MA (US)

(\*\*) Term: **14 Years**

(21) Appl. No.: **29/170,679**

(22) Filed: **Nov. 9, 2002**

(51) **LOC (7) Cl.** ..... **26-03**

(52) **U.S. Cl.** ..... **D26/102**

(58) **Field of Search** ..... D26/25, 37, 93-112;  
320/115; 362/20, 184, 188, 190, 410-414,  
447, 806, 810

(56) **References Cited**

**U.S. PATENT DOCUMENTS**

D442,712 S \* 5/2001 Boyer ..... D26/25

\* cited by examiner

*Primary Examiner*—Alan P. Douglas

*Assistant Examiner*—Linda Brooks

(74) *Attorney, Agent, or Firm*—Albert Peter Durigon

(57) **CLAIM**

The ornamental design for a rechargeable lamp, as shown and described.

**DESCRIPTION**

FIG. 1 is a perspective view of our new design for a rechargeable lamp, with one of the four identical luminaries shown removed from the recharging platter;

FIG. 2 is an enlarged top plan view of the recharging platter of the rechargeable lamp, shown separately for clarity;

FIG. 3 is a bottom plan view of FIG. 2;

FIG. 4 is a side elevational view of the back of the recharging platter shown in FIG. 2;

FIG. 5 is a side elevational view of the remaining sides of the recharging platter shown in FIG. 2;

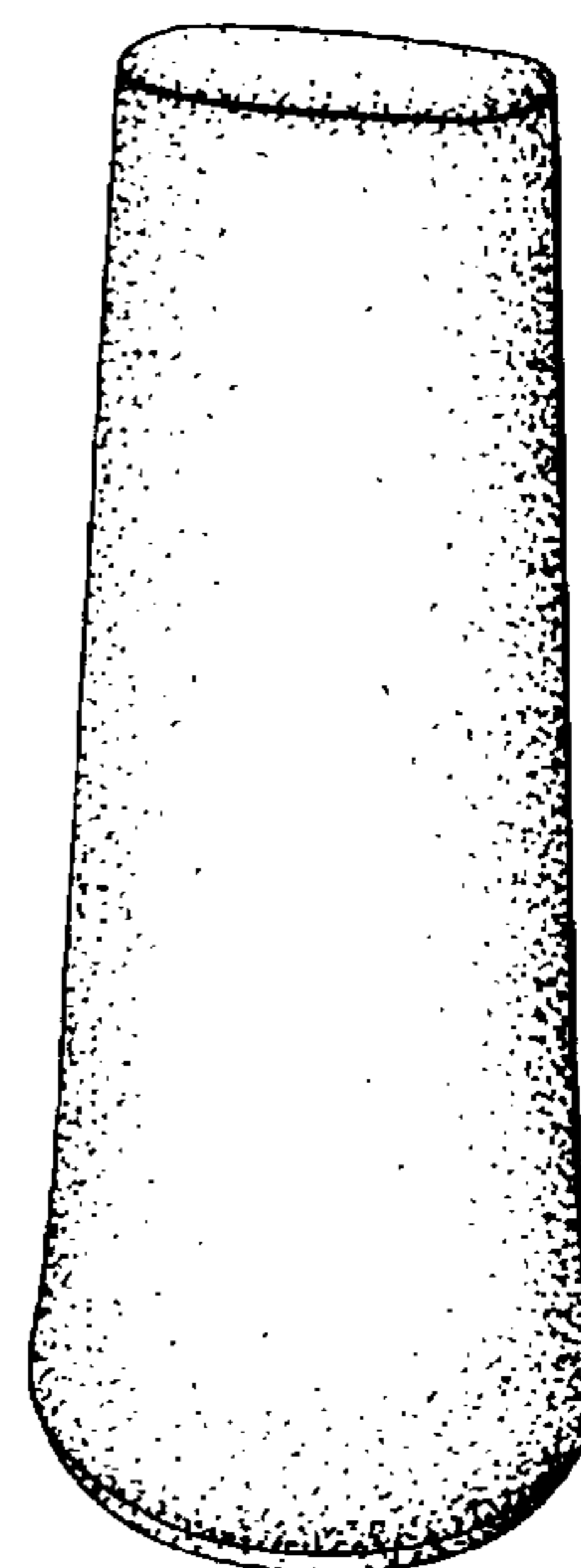
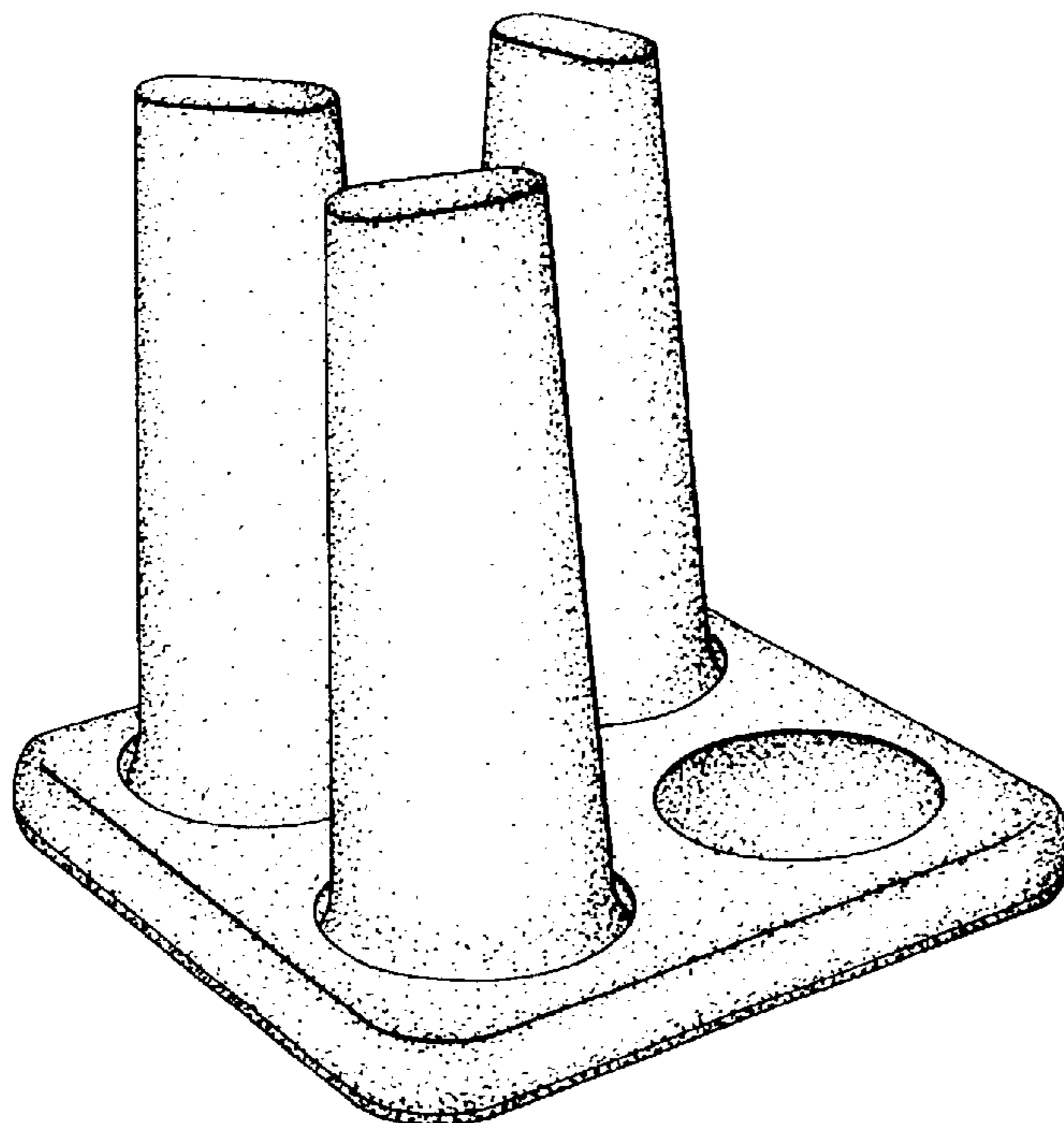
FIG. 6 is an enlarged bottom plan view of one of the four identical luminaries, shown separately for clarity of illustration;

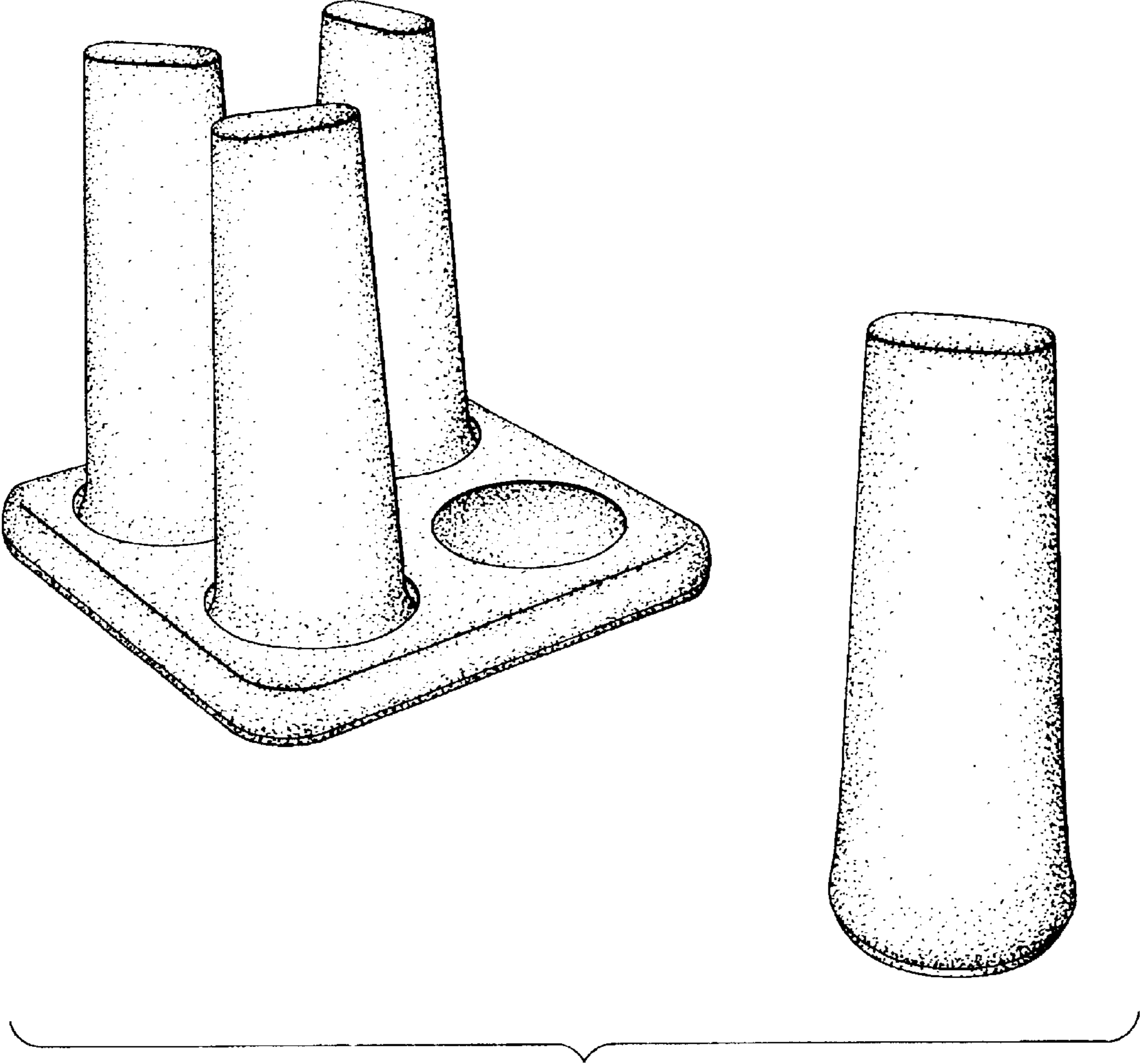
FIG. 7 is a top plan view of FIG. 6;

FIG. 8 is a side elevational view of one of the four identical luminaries, viewed from line 8—8 in FIG. 7; and,

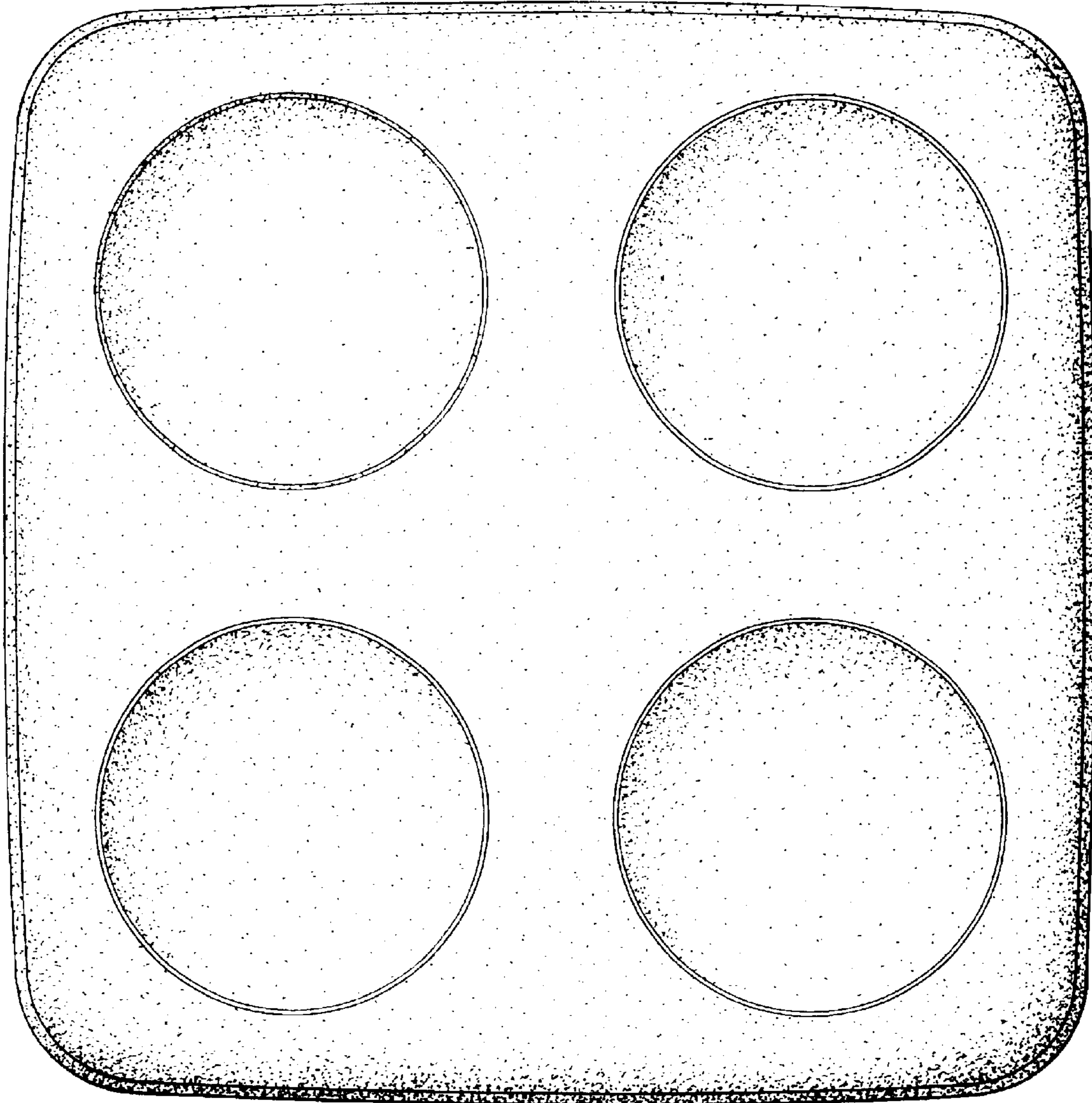
FIG. 9 is a side elevational view of one of the four identical luminaries, viewed from line 9—9 in FIG. 7.

**1 Claim, 6 Drawing Sheets**

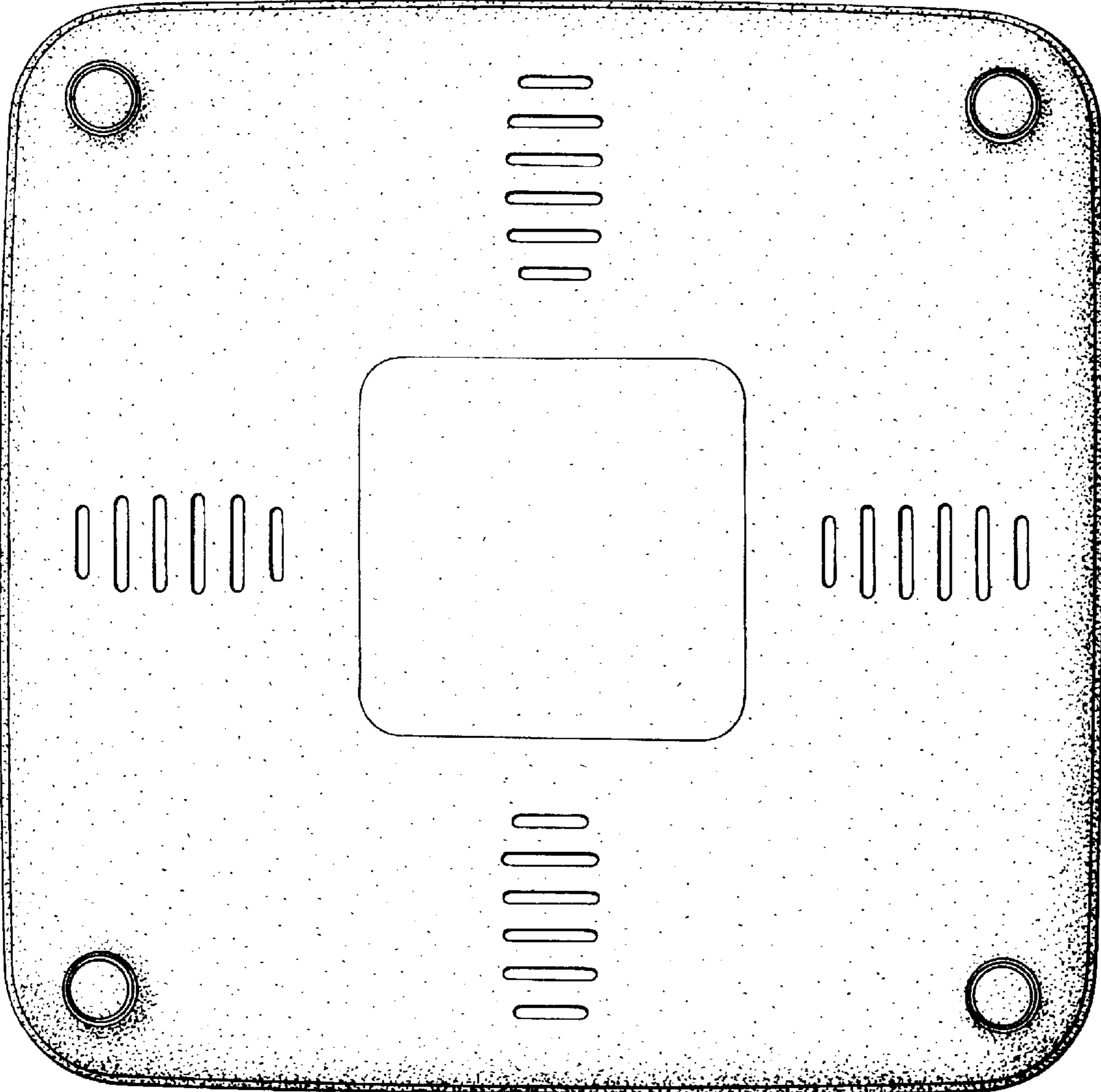




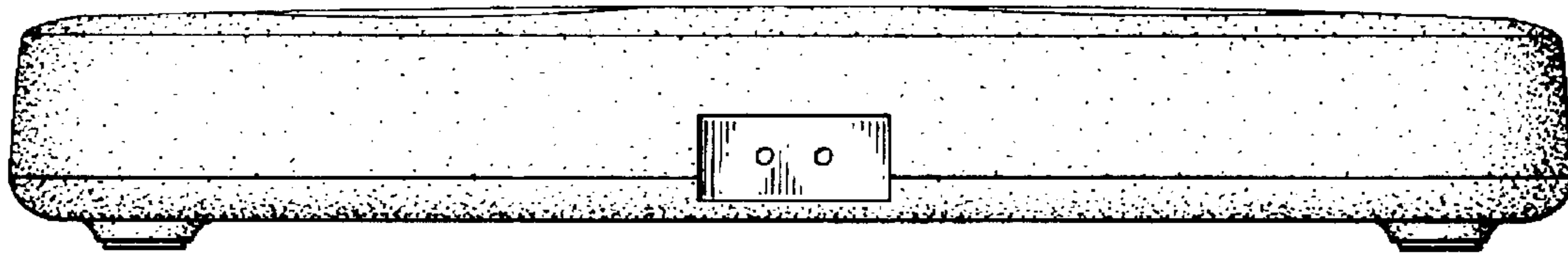
*Fig. 1*



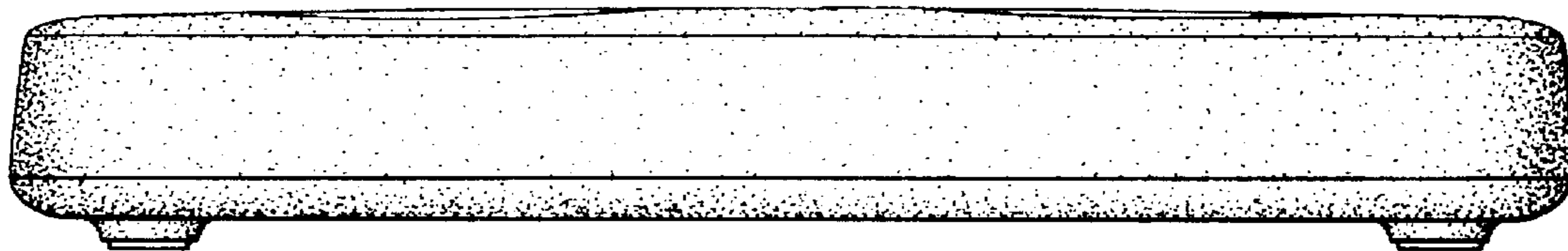
*Fig. 2*



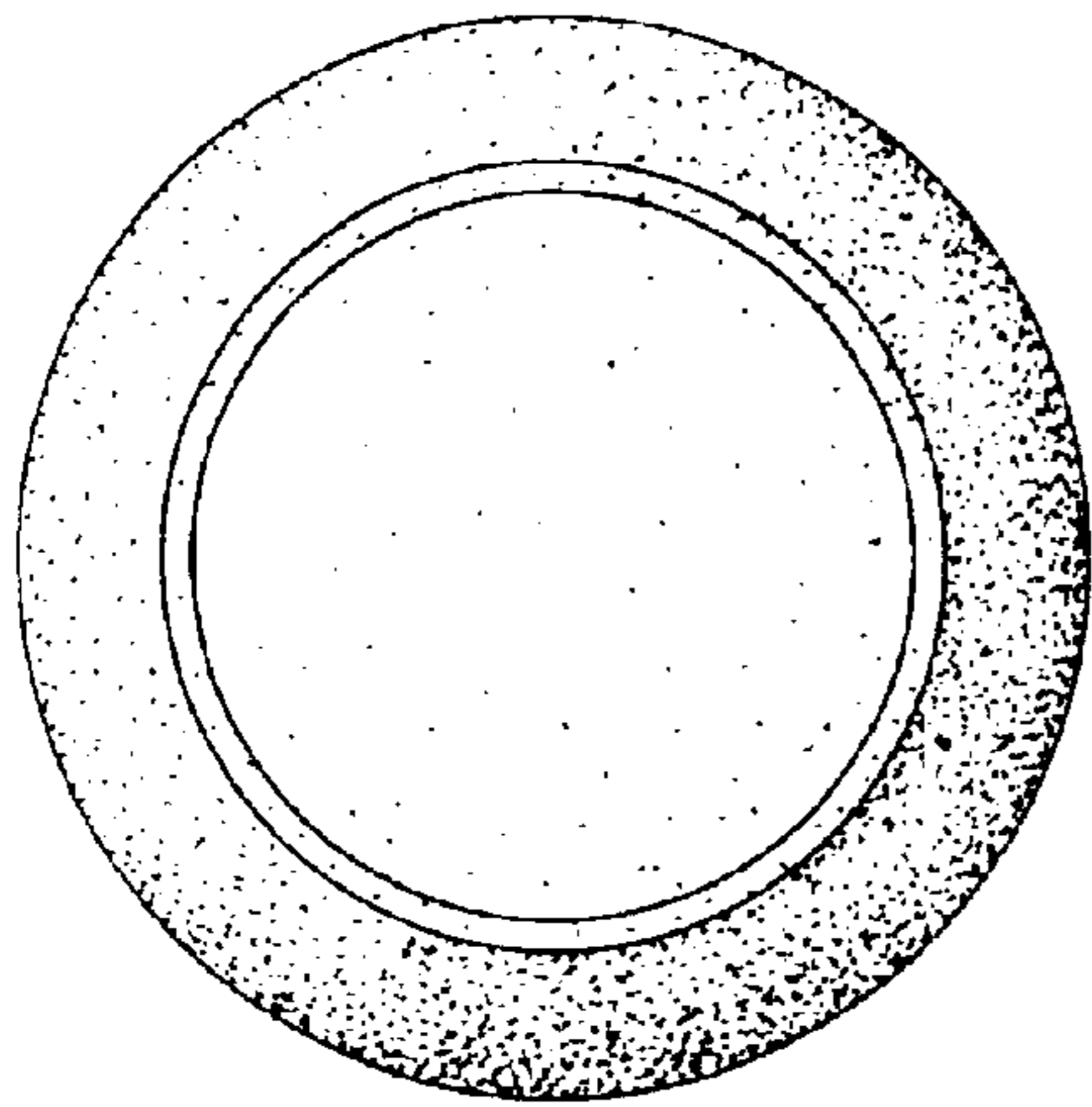
*Fig. 3*



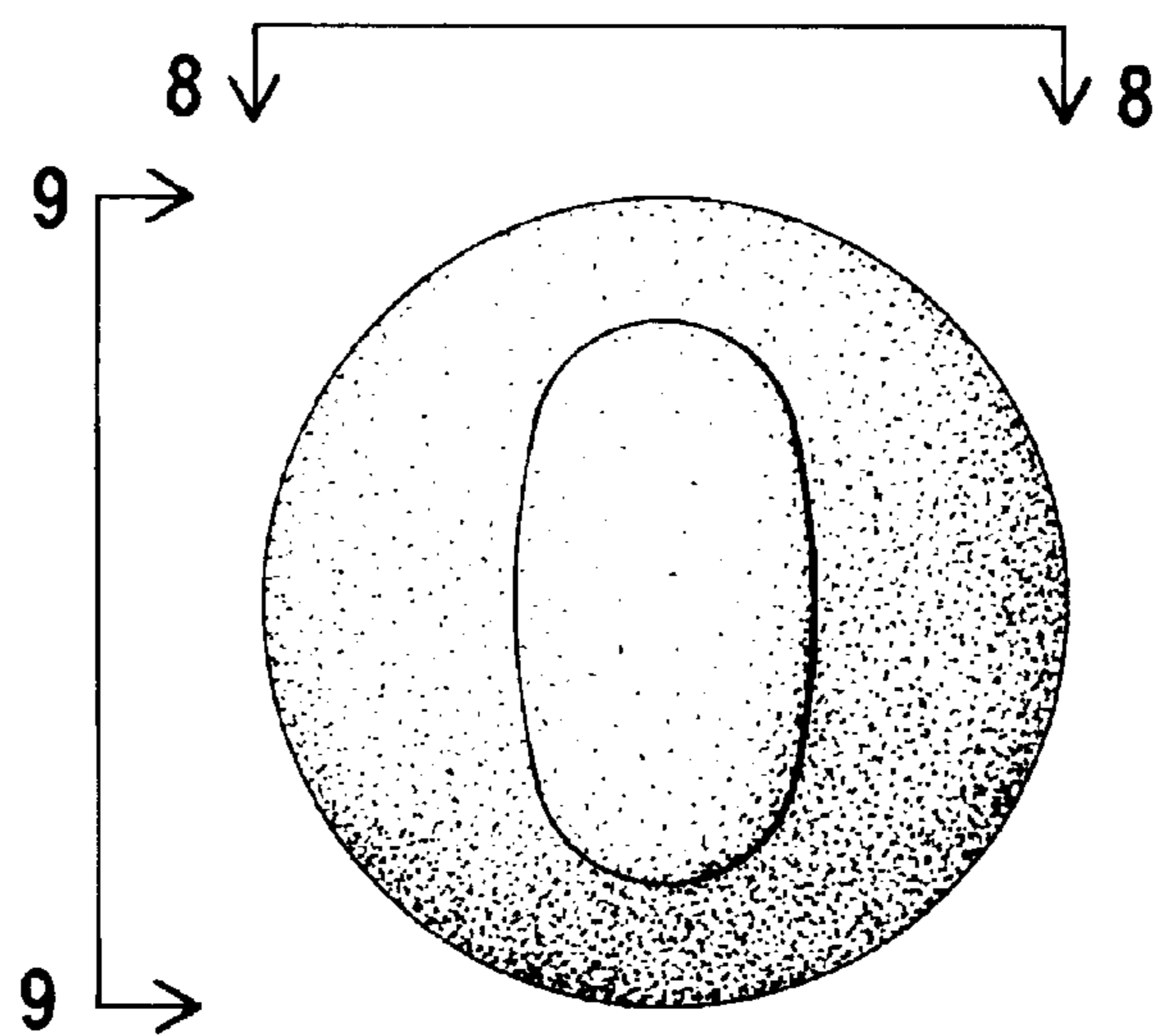
*Fig. 4*



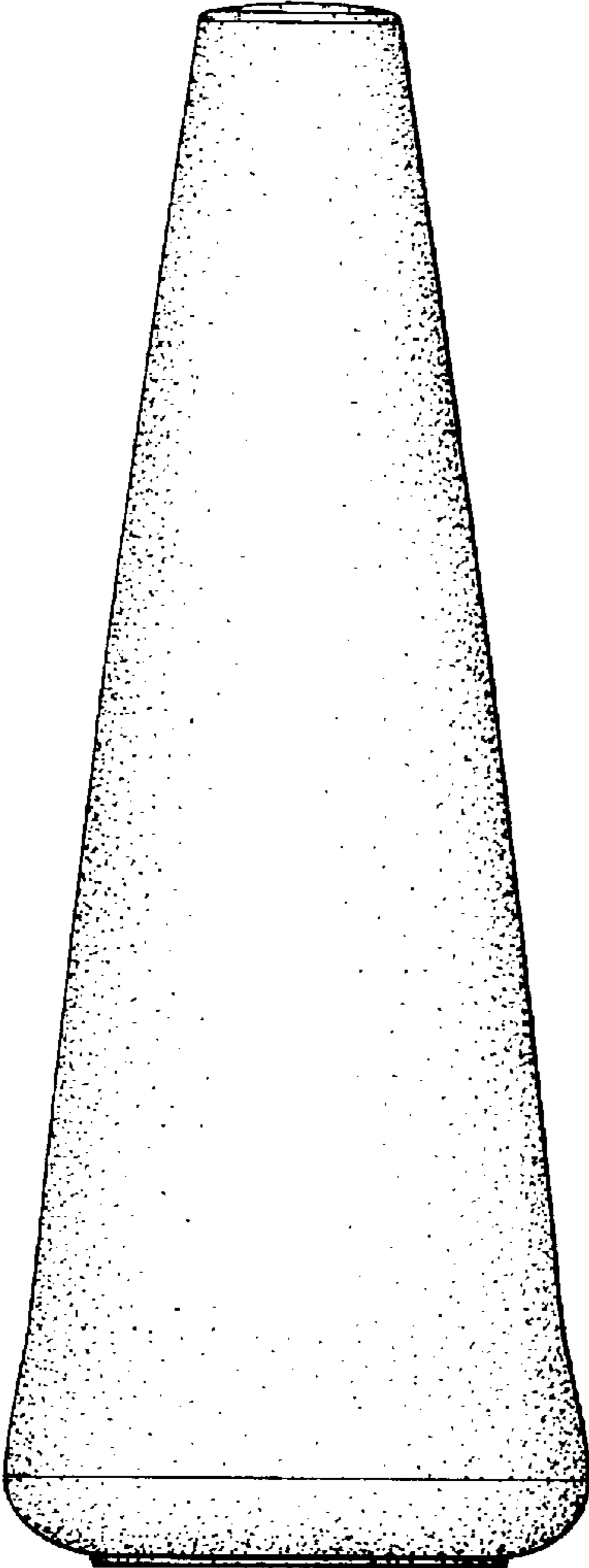
*Fig. 5*



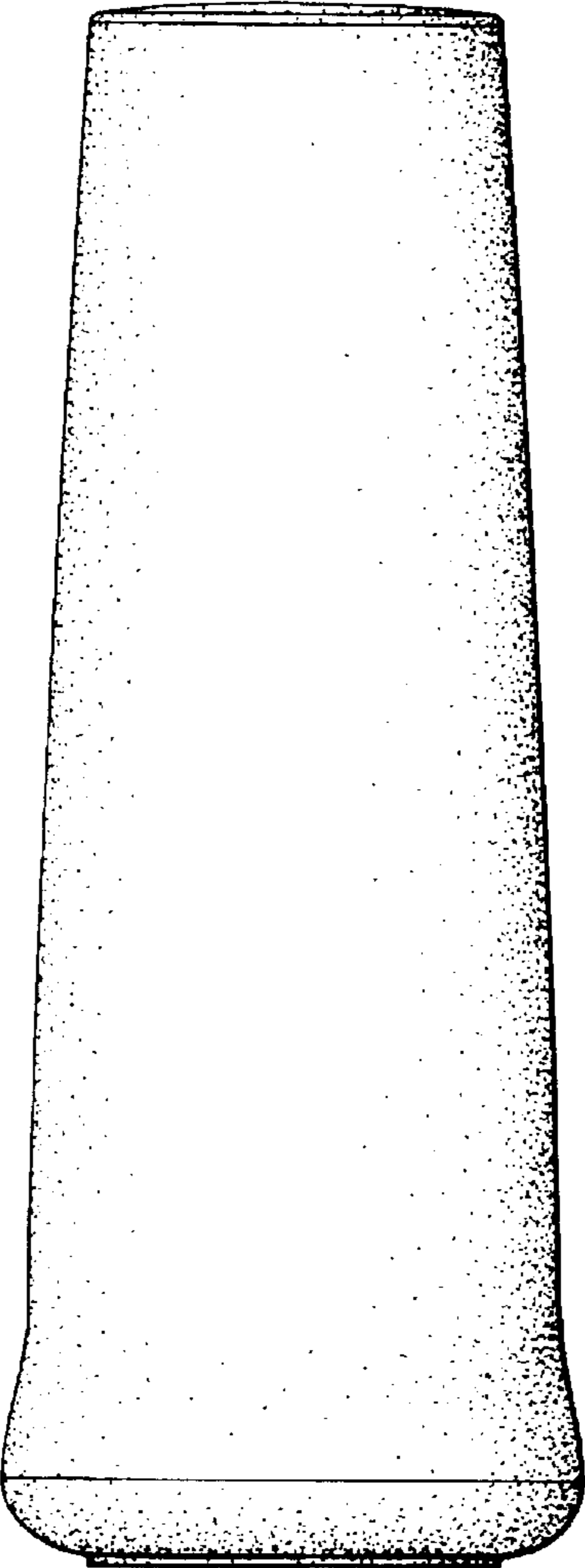
*Fig. 6*



*Fig. 7*



*Fig. 8*



*Fig. 9*