

US00D492442S1

(12) **United States Design Patent**
Hoernig

(10) **Patent No.:** **US D492,442 S**
(45) **Date of Patent:** **** Jun. 29, 2004**

(54) **WALL LIGHT**

(75) Inventor: **Victor Hoernig**, Lowell, IN (US)

(73) Assignee: **Bath Unlimited, Inc.**, Fort Mill, SC (US)

(**) Term: **14 Years**

(21) Appl. No.: **29/187,685**

(22) Filed: **Aug. 5, 2003**

(51) **LOC (7) Cl.** **26-03**

(52) **U.S. Cl.** **D26/92**

(58) **Field of Search** D26/24, 27, 59,
D26/72, 79, 128, 131; 362/147, 404-408,
432

(56) **References Cited**

U.S. PATENT DOCUMENTS

D61,376 S	*	8/1922	Newland	D26/92
D87,139 S	*	6/1932	Wangersheim	D26/92
D96,912 S	*	9/1935	Gregg	D26/92
D404,171 S	*	1/1999	Littman et al.	D26/145
D413,178 S	*	8/1999	Perenzin	D26/92

OTHER PUBLICATIONS

Progress Lighting Product Catalog 124 (c)2000; item P7108-43EB on p. 212.*
Framburg 2001 Catalog, item 8971 on p. 51.*

Framburg 2001 Catalog; item 8861 on p. 93.*

* cited by examiner

Primary Examiner—Clare E Heflin

(74) *Attorney, Agent, or Firm*—Edgar A. Zarins; Lloyd D. Doigan

(57) **CLAIM**

The ornamental design for a wall light, as shown and described.

DESCRIPTION

FIG. 1 is a perspective view of a wall light showing my new design;

FIG. 2 is a front elevational view thereof;

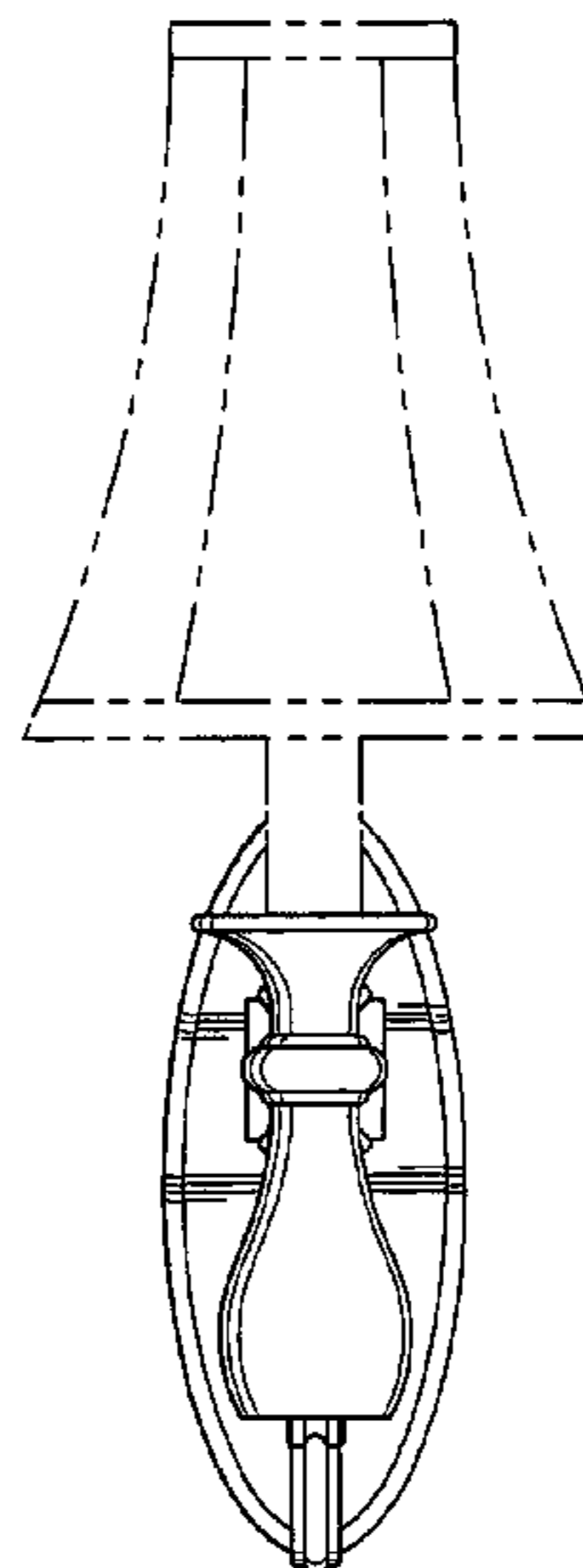
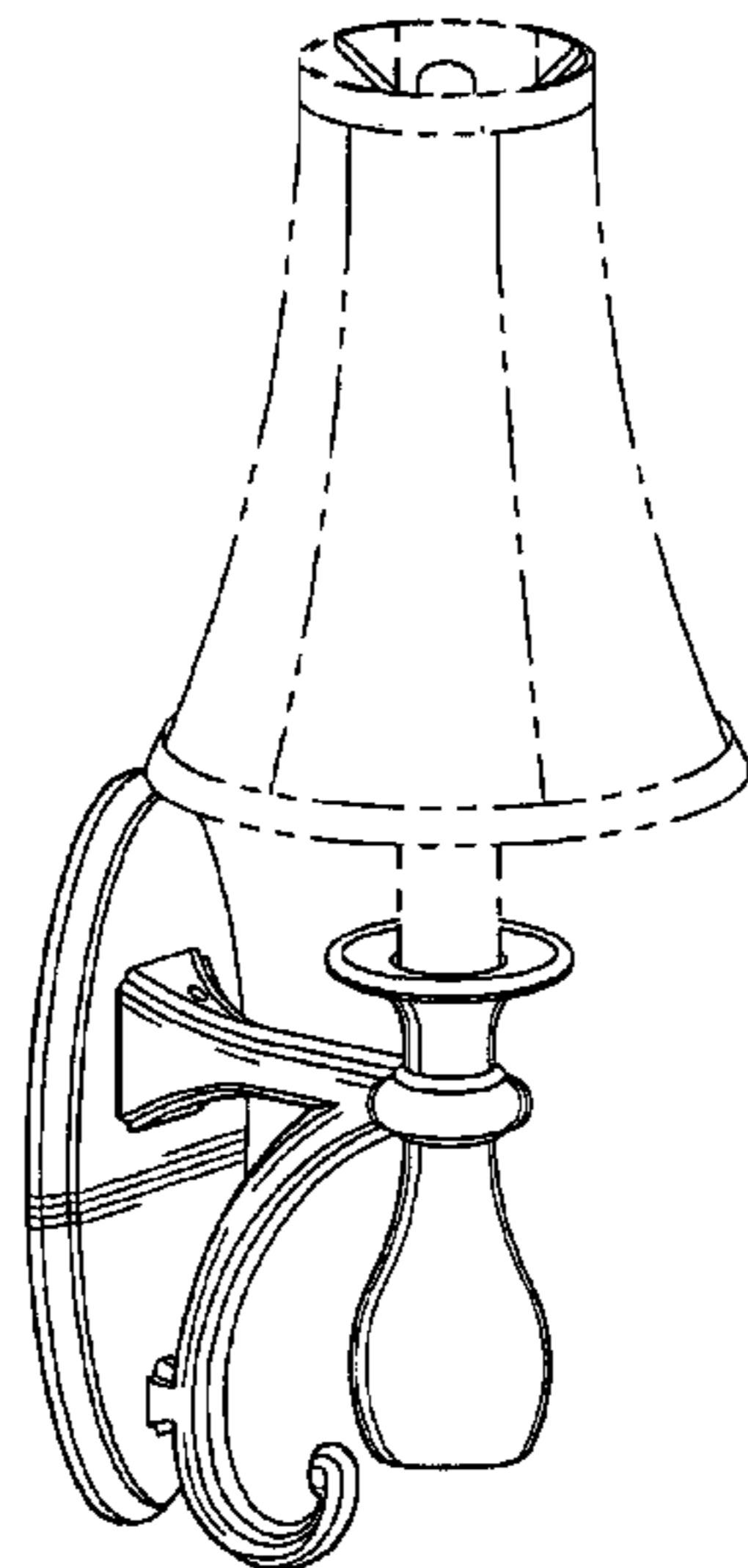
FIG. 3 is a left side view thereof, the opposite side being a mirror image of the side shown;

FIG. 4 is a top plan view thereof; and,

FIG. 5 is a bottom view thereof.

The broken lines shown on the drawings are for illustrative purposes only and form no part of the claimed design.

1 Claim, 2 Drawing Sheets



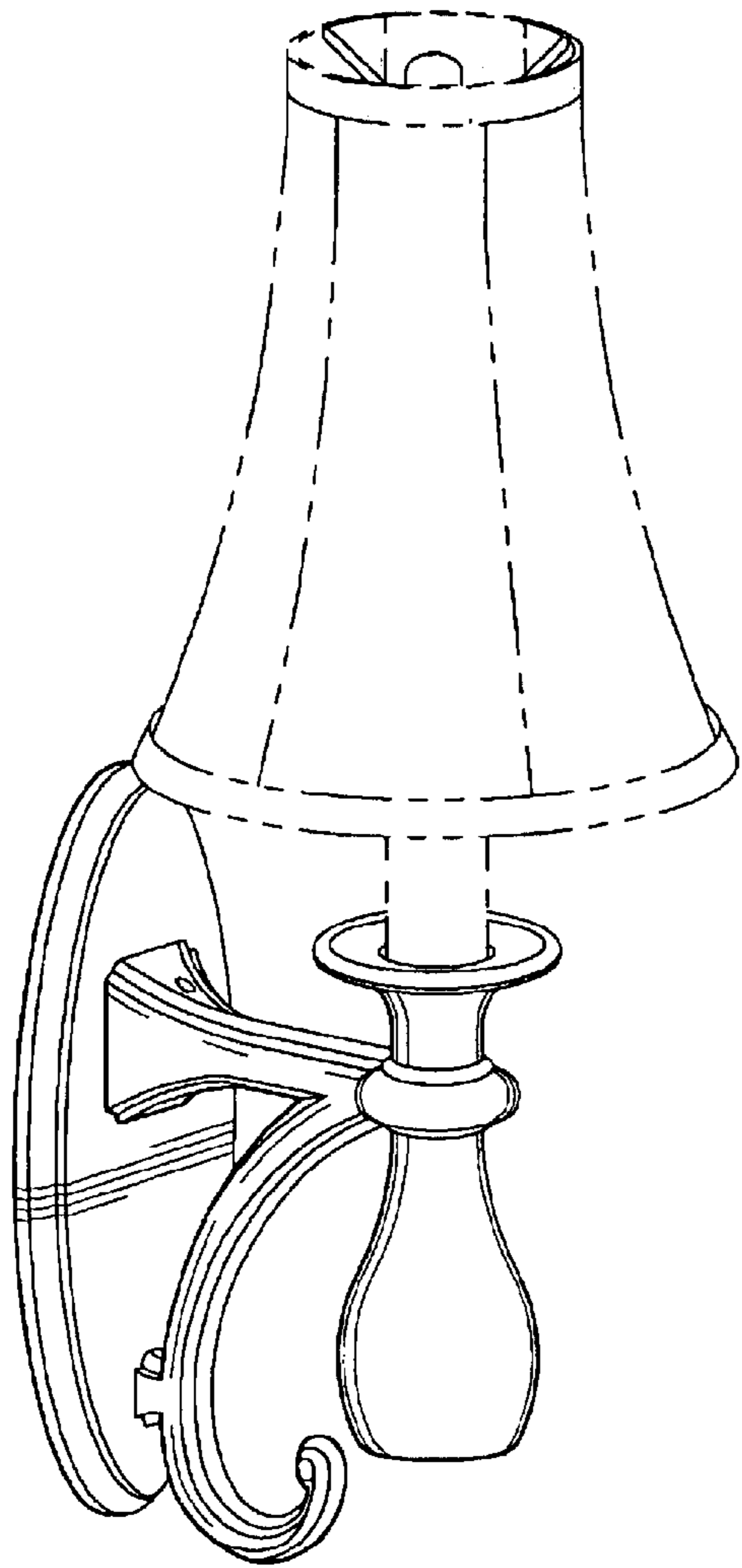


Fig-1

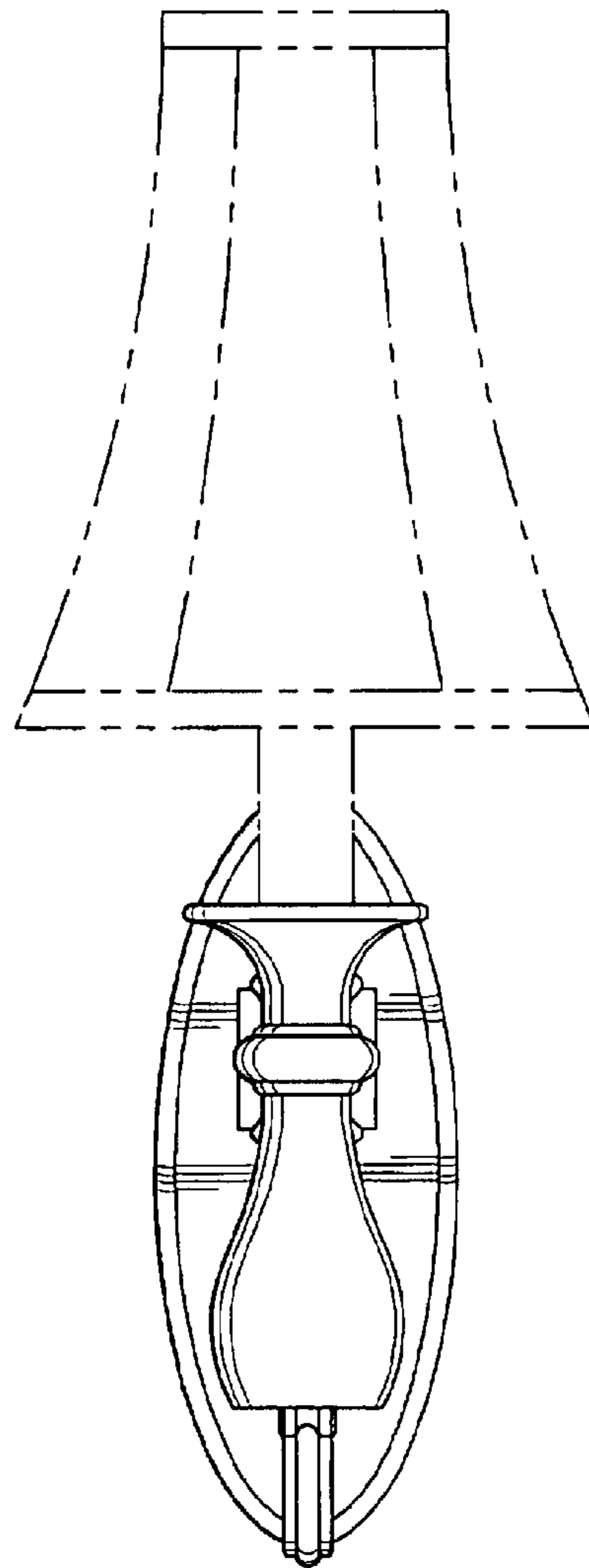


Fig-2

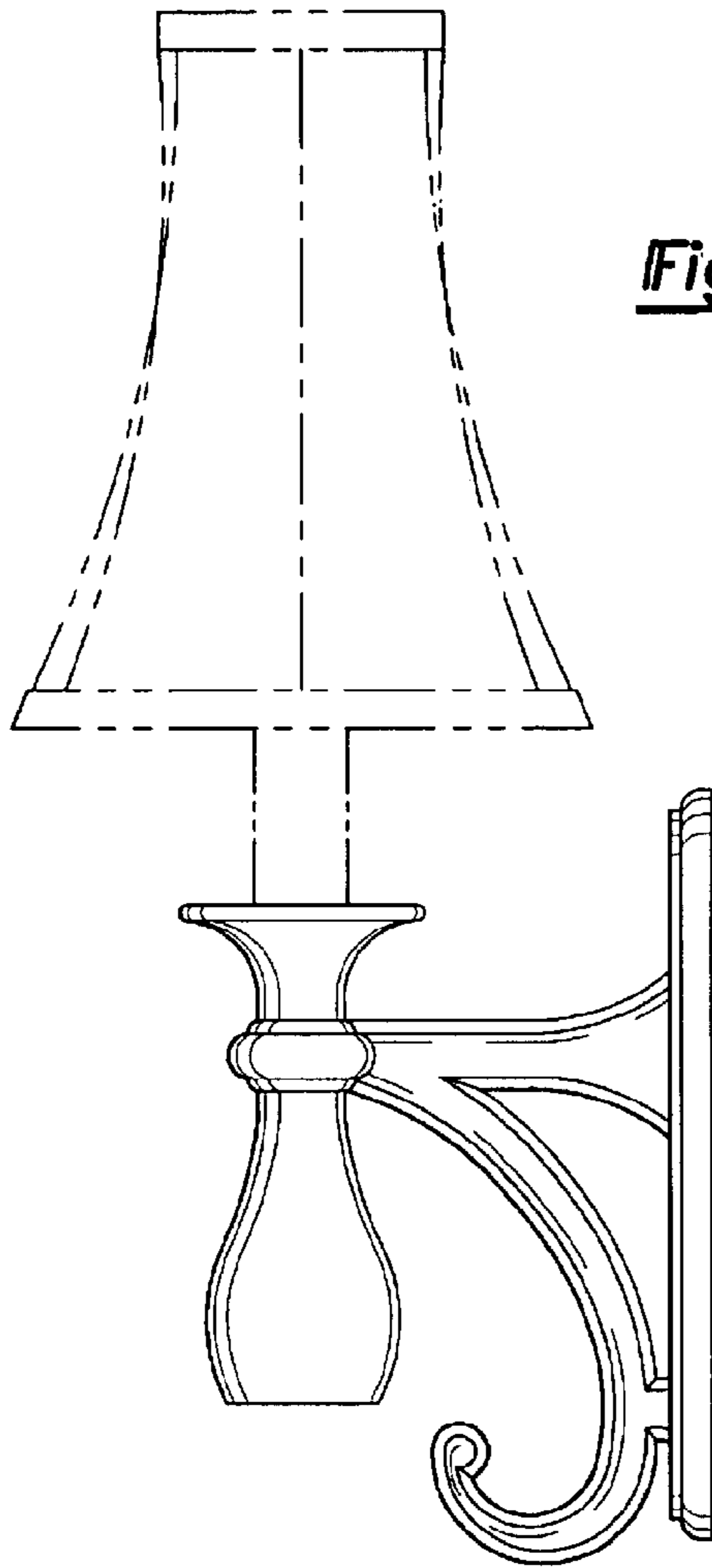


Fig-3

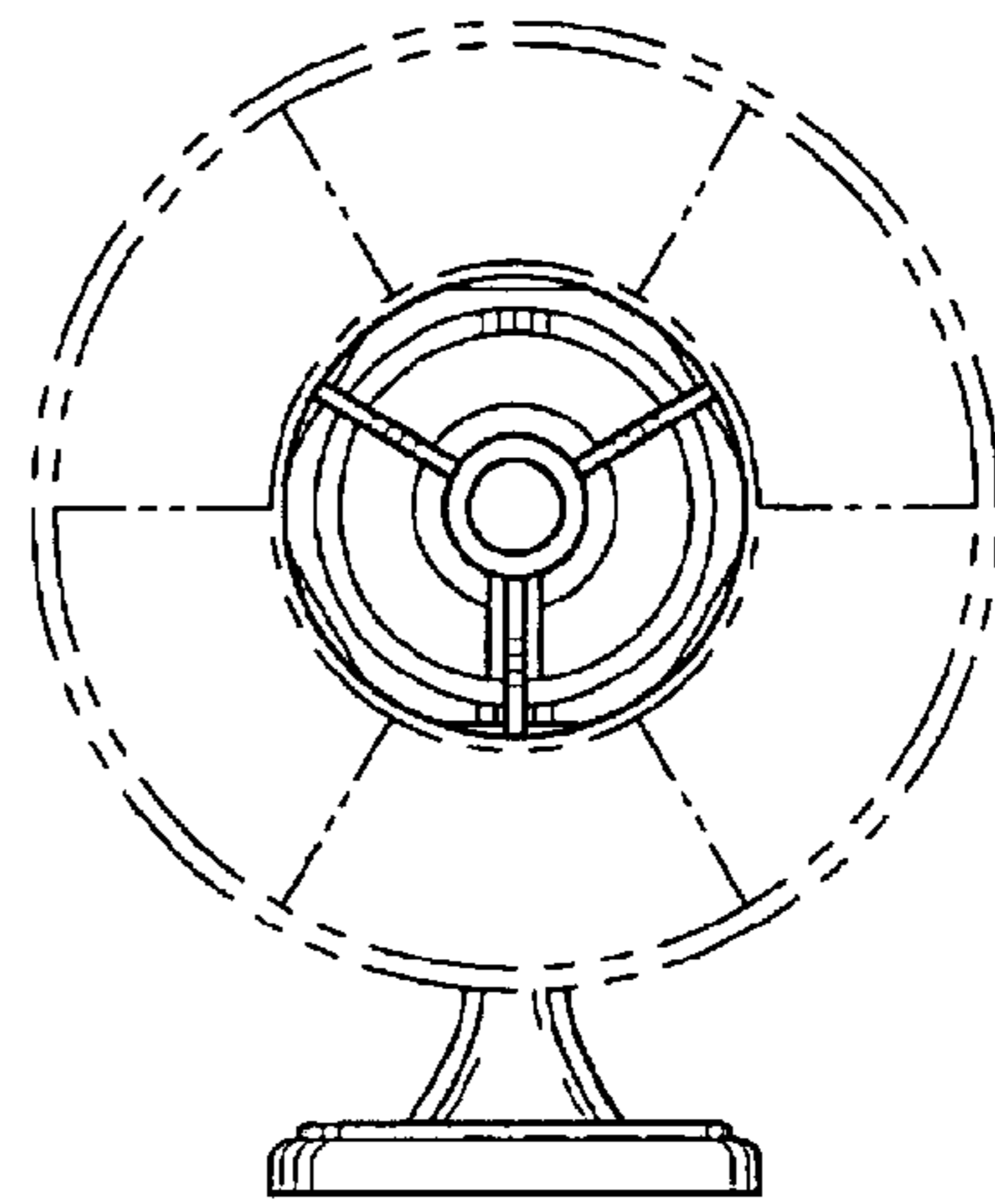


Fig-4

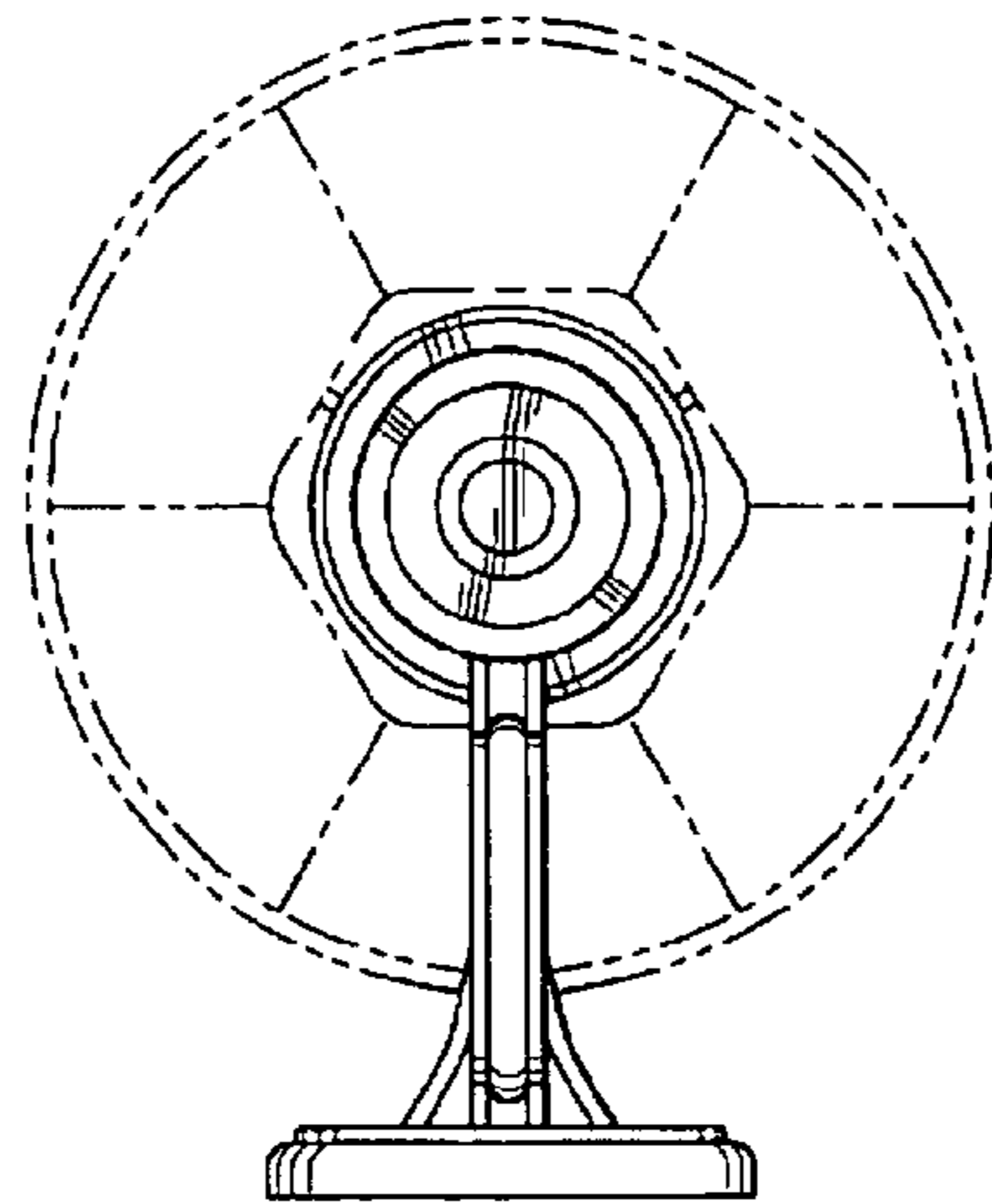


Fig-5