

US00D492441S1

(12) **United States Design Patent**  
**Bradford et al.**

(10) **Patent No.:** **US D492,441 S**  
(45) **Date of Patent:** **\*\* Jun. 29, 2004**

(54) **LUMINAIRE**

(75) **Inventors:** **Reed A. Bradford**, Hendersonville, NC (US); **James H. Toney, Jr.**, Canton, NC (US); **Ian W. Cunningham**, Matthews, NC (US); **Jay Fording**, Matthews, NC (US); **Keith G. Savas**, Charlotte, NC (US)

(73) **Assignee:** **General Electric Company**, Schenectady, NY (US)

(\*\*) **Term:** **14 Years**

(21) **Appl. No.:** **29/168,349**

(22) **Filed:** **Sep. 30, 2002**

(51) **LOC (7) Cl.** ..... **26-03**

(52) **U.S. Cl.** ..... **D26/92**

(58) **Field of Search** ..... D26/24, 61-92;  
362/147, 431, 432, 404-408, 362

(56) **References Cited**

**U.S. PATENT DOCUMENTS**

3,358,133 A \* 12/1967 Thoman et al. .... 362/282  
4,320,443 A \* 3/1982 Zwillich ..... 362/375

4,937,718 A \* 6/1990 Murray ..... 362/431  
D323,897 S \* 2/1992 Compton ..... D26/24  
5,823,665 A \* 10/1998 Braun ..... 362/376  
5,896,288 A \* 4/1999 Lecheler et al. .... 363/146

\* cited by examiner

*Primary Examiner*—Clare E Heflin

(74) *Attorney, Agent, or Firm*—Fay, Sharpe, Fagan, Minnich & McKee, LLP

(57) **CLAIM**

The ornamental design for a luminaire, as shown and described.

**DESCRIPTION**

FIG. 1 is a perspective view of a luminaire showing our new design.

FIG. 2 is a side elevational view thereof (the other side being substantially a mirror image thereof).

FIG. 3 is a top plan view thereof.

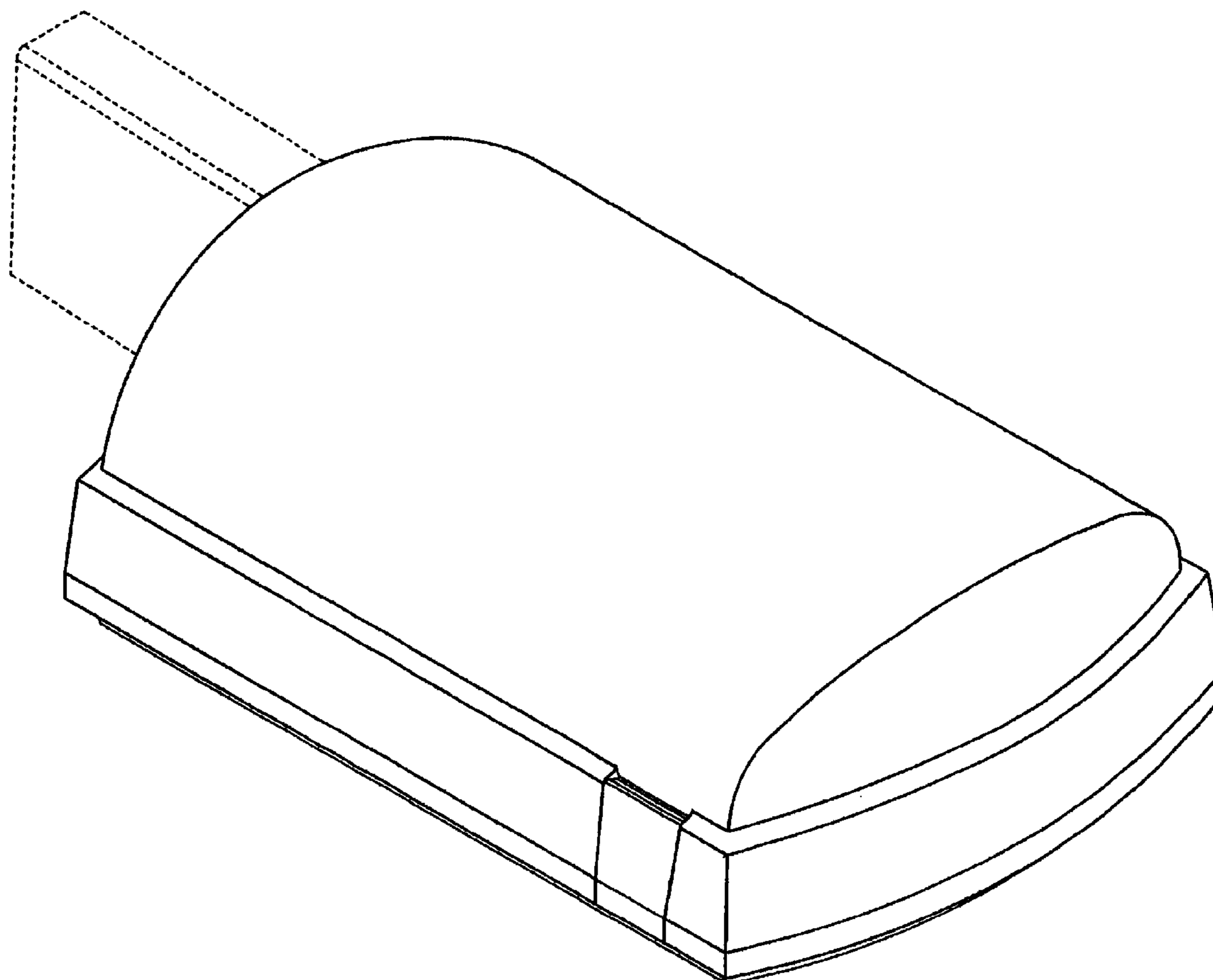
FIG. 4 is a bottom plan view thereof.

FIG. 5 is a front elevational view thereof; and,

FIG. 6 is a rear elevational view thereof.

The broken lines shown on the drawings are for illustrative purposes only and form no part of the claimed design.

**1 Claim, 5 Drawing Sheets**



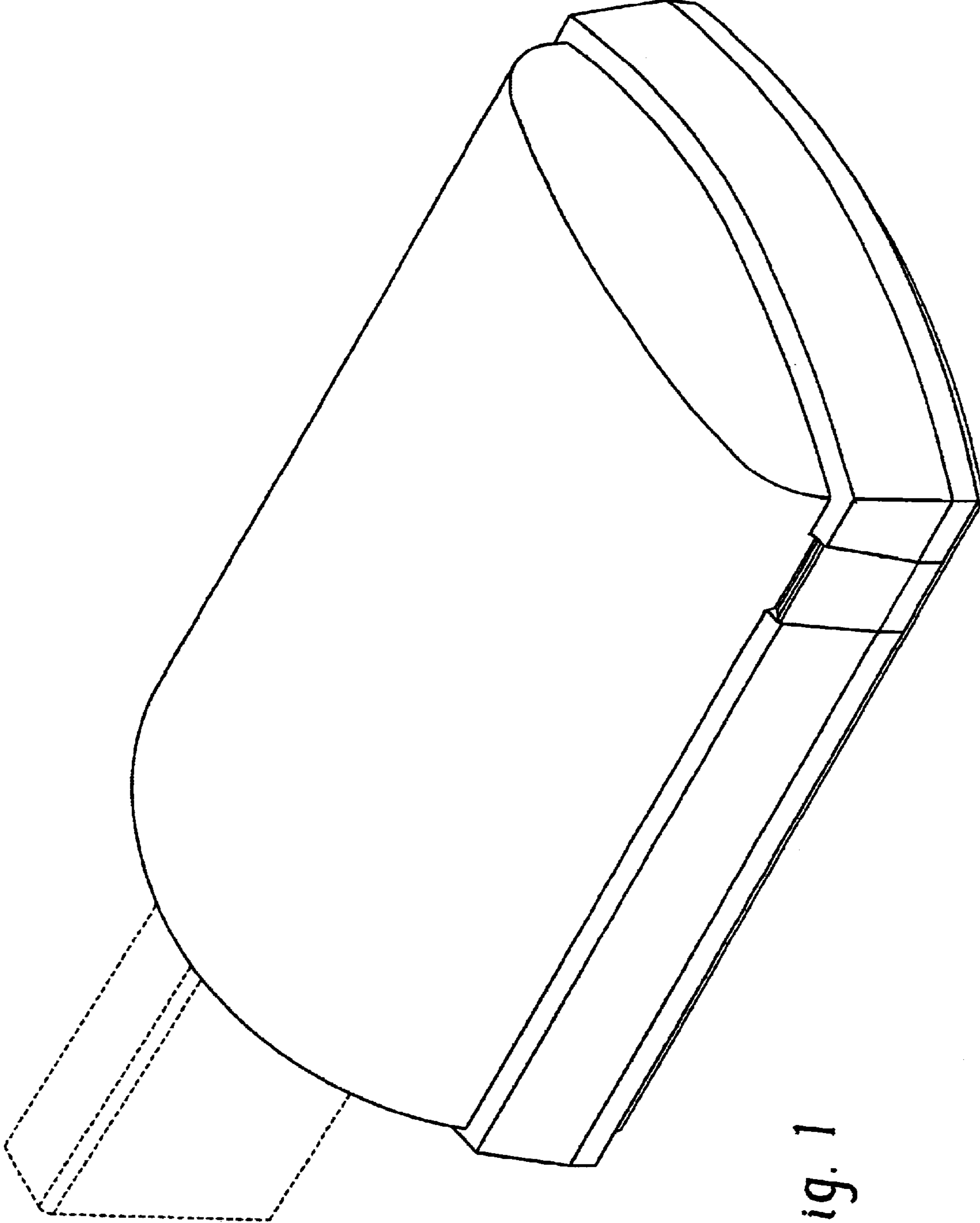


Fig. 1

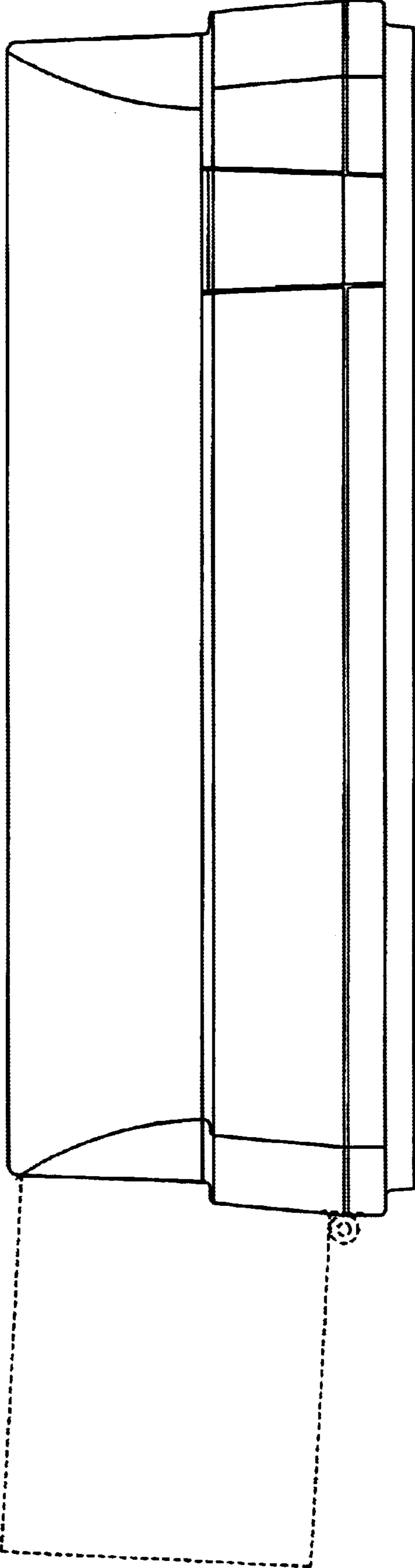


Fig. 2

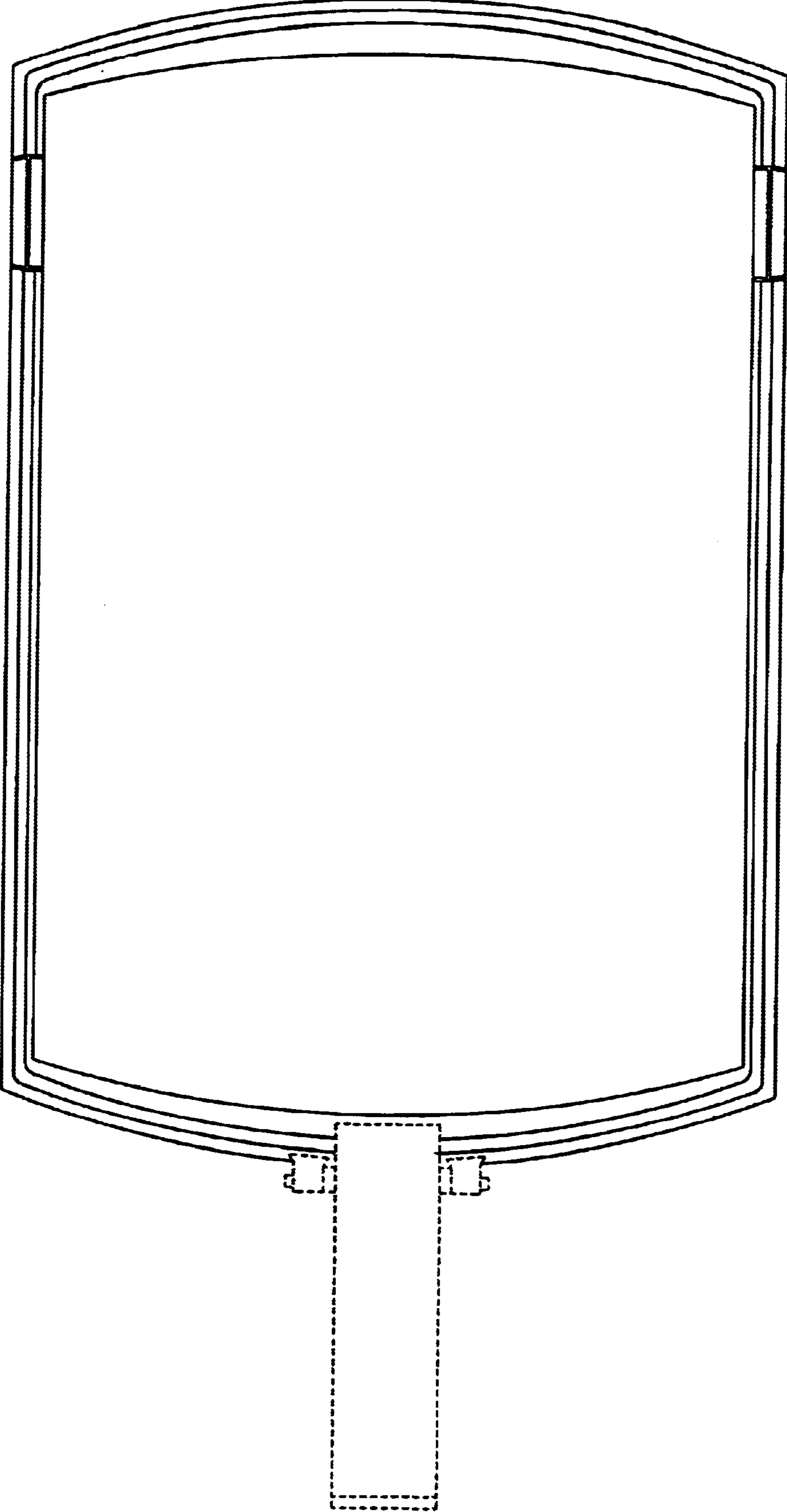


Fig. 3

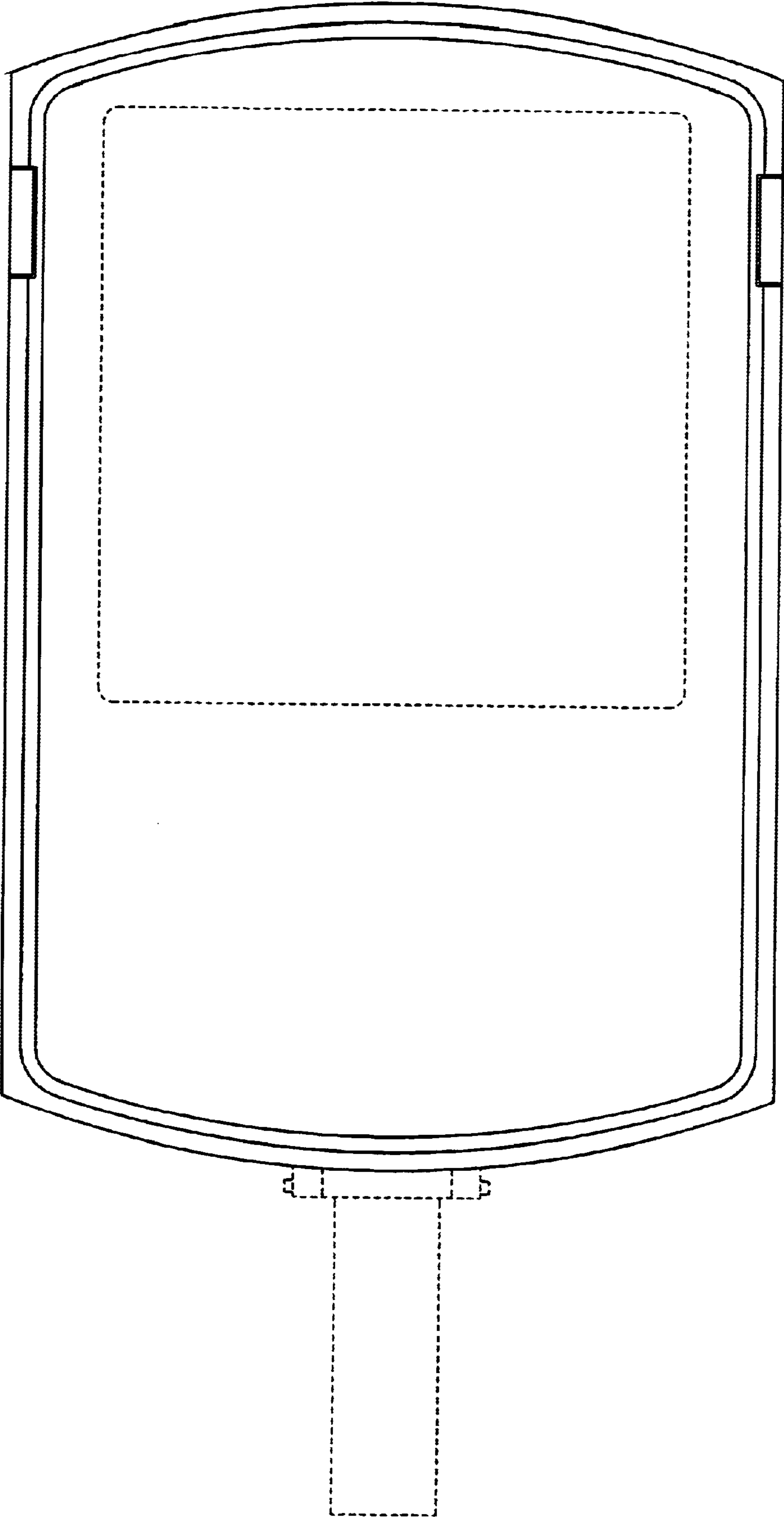
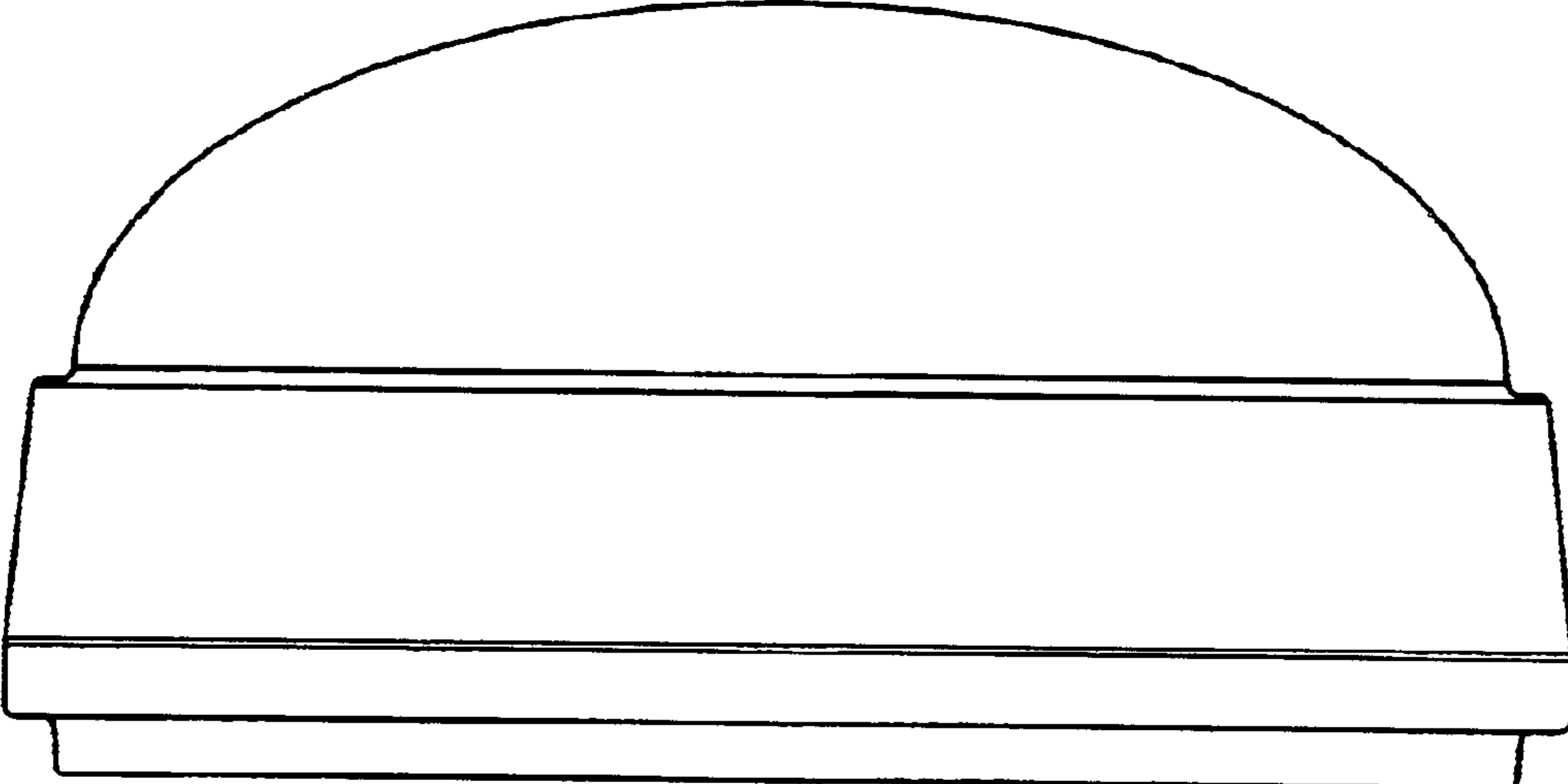
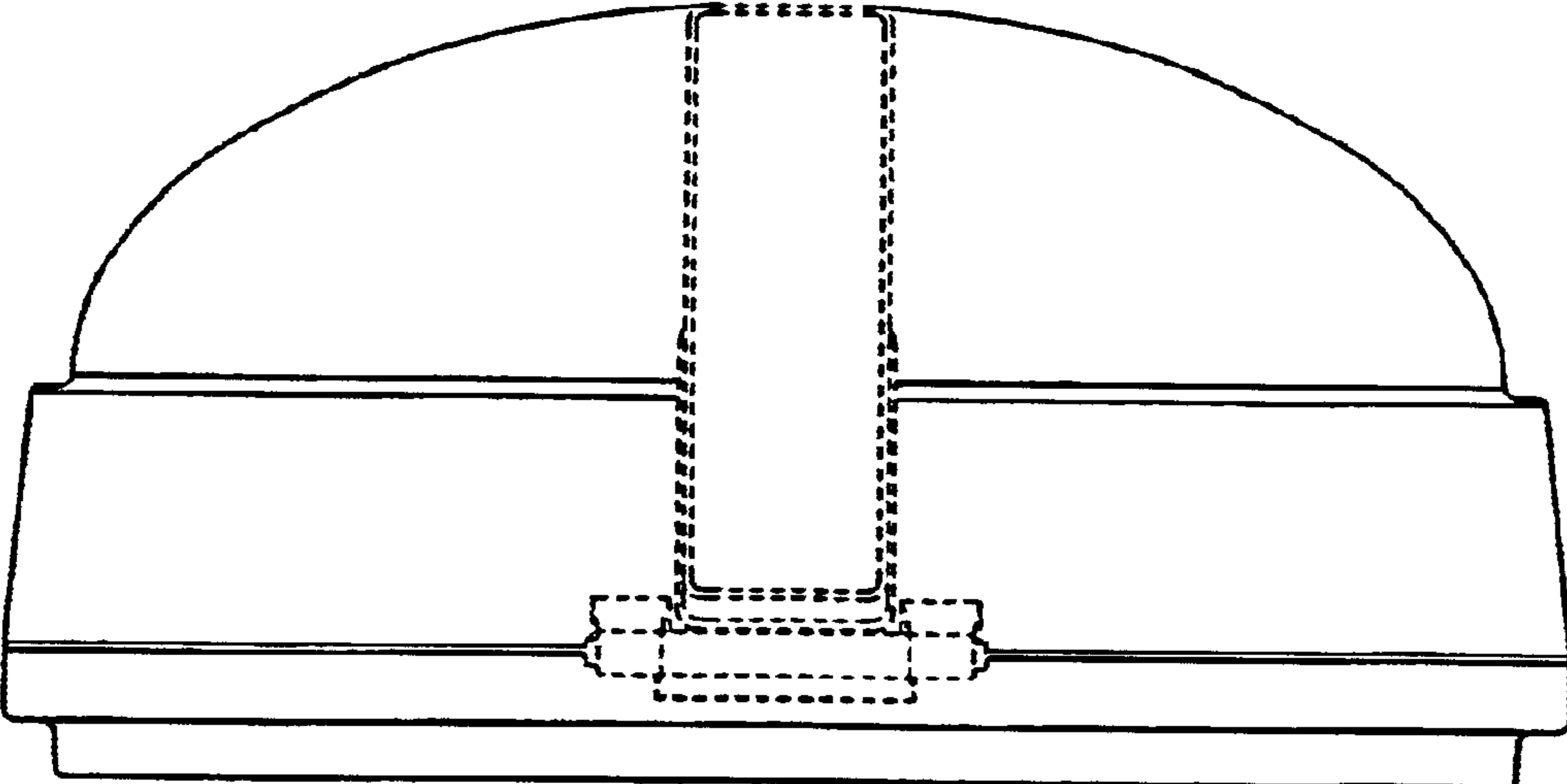


Fig. 4



*Fig. 5*



*Fig. 6*