

US00D492440S1

(12) **United States Design Patent**  
**Parres**

(10) **Patent No.:** **US D492,440 S**  
(45) **Date of Patent:** **\*\* Jun. 29, 2004**

(54) **LIGHTING FIXTURE**

(75) Inventor: **Miguel Parres**, Alta Loma, CA (US)

(73) Assignee: **Minka Lighting, Inc.**, Corona, CA (US)

(\*\*) Term: **14 Years**

(21) Appl. No.: **29/190,993**

(22) Filed: **Sep. 29, 2003**

(51) **LOC (7) Cl.** ..... **26-03**

(52) **U.S. Cl.** ..... **D26/85; D26/88**

(58) **Field of Search** ..... D26/24, 27, 59,  
D26/72, 79, 128, 131; 362/147, 404-408,  
432

(56) **References Cited**

**U.S. PATENT DOCUMENTS**

D87,964 S \* 10/1932 Howell ..... D26/88

**OTHER PUBLICATIONS**

Progress Lighting Product Catalog 124 (c)2000; item P5012-09 on p. 164.\*

Crystorama, Inc. "Reflections Of Elegance" Catalog (c)1988. Item 3930 on p. 3.\*

Thomas Lighting 1996 Catalog, item M2531-7 on p. 102.\*

Frederick Ramond 1991 catalog. Item 306 on p. 47.\*

U.S. patent application Ser. No. 29/190,994, Miguel Parres, filed Sep. 29, 2003.

U.S. patent application Ser. No. 29/191,034, Miguel Parres, filed Sep. 29, 2003.

U.S. patent application Ser. No. 29/190,988, Miguel Parres, filed Sep. 29, 2003.

Minka Aire Two Thousand Three; p. 297; # 74-84, 74-44, 74-66 Jan. 2003 Minka Lighting Inc. USA.

Chandelier 10 Light Incandescent; # 2042NI Oct. 2003 Kichler, Inc.

Chandelier 4 Light Incandescent; # 2041NI Oct. 2003 Kichler, Inc.

Pendant 3 Light Incandescent; # 3041BK Oct. 2003.

Pendant 1 Light Incandescent; # 2640BK Oct. 2003 Kichler, Inc.

Pendant 1 Light Incandescent; # 2643NI Oct. 2003 Kichler, Inc.

\* cited by examiner

*Primary Examiner*—Clare E Heflin

(74) *Attorney, Agent, or Firm*—Jenkins & Gilchrist, P.C.

(57) **CLAIM**

The ornamental design for the lighting fixture, as shown and described.

**DESCRIPTION**

FIG. 1 is a perspective view from below of a lighting fixture in accordance with my design;

FIG. 2 is a top plan view of the lighting fixture in accordance with my design;

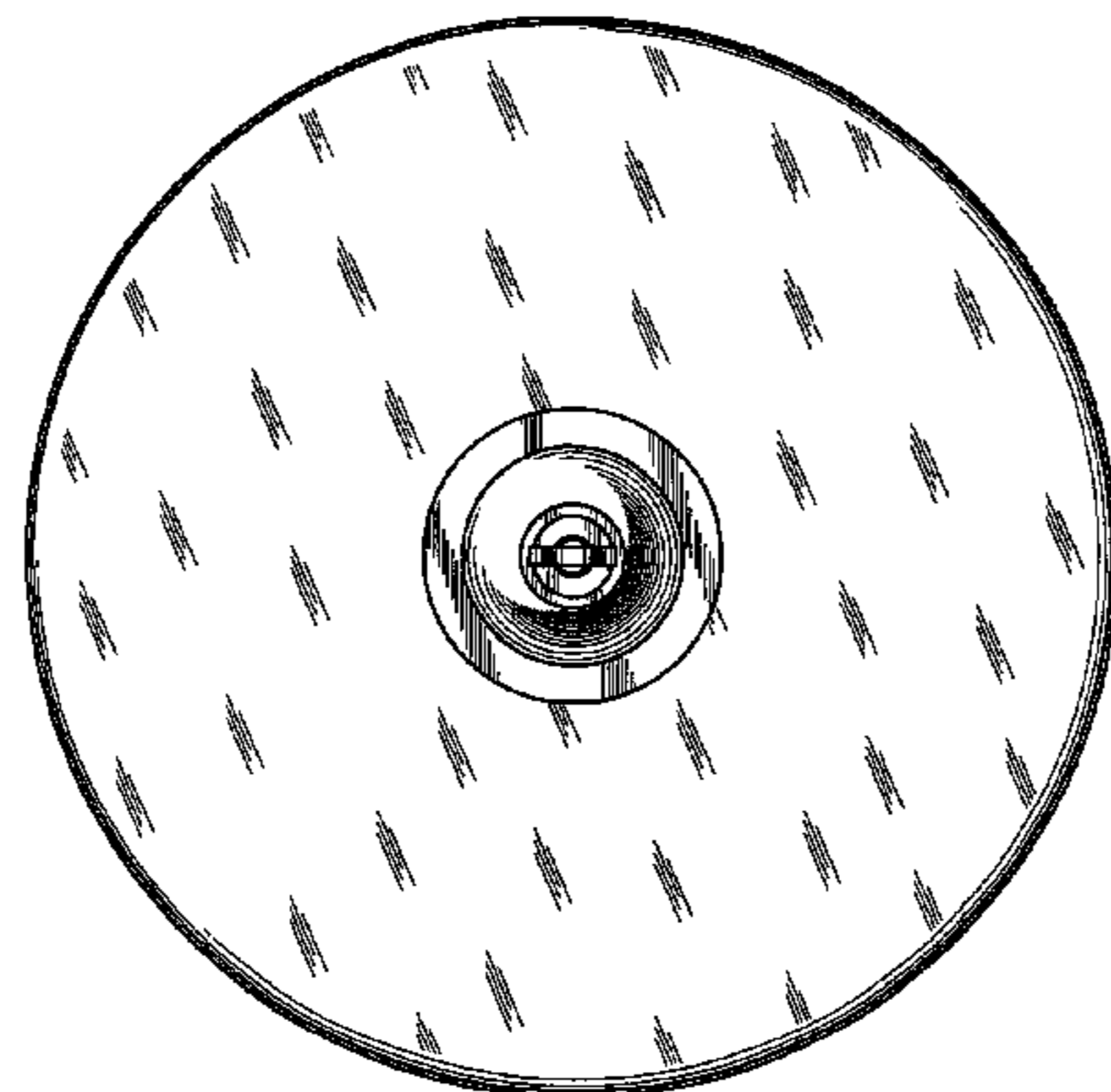
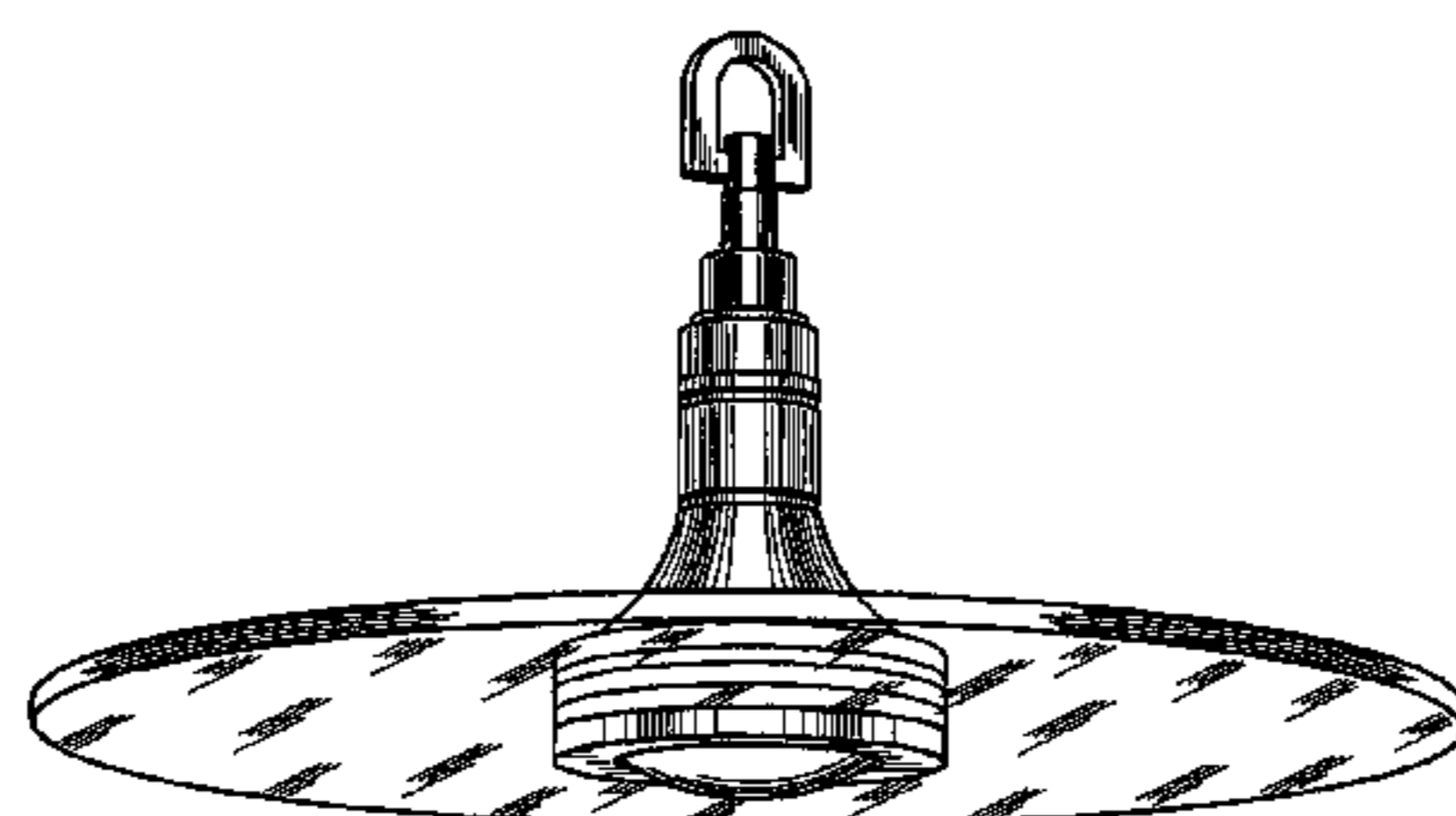
FIG. 3 is a front elevation view of the lighting fixture in accordance with my design;

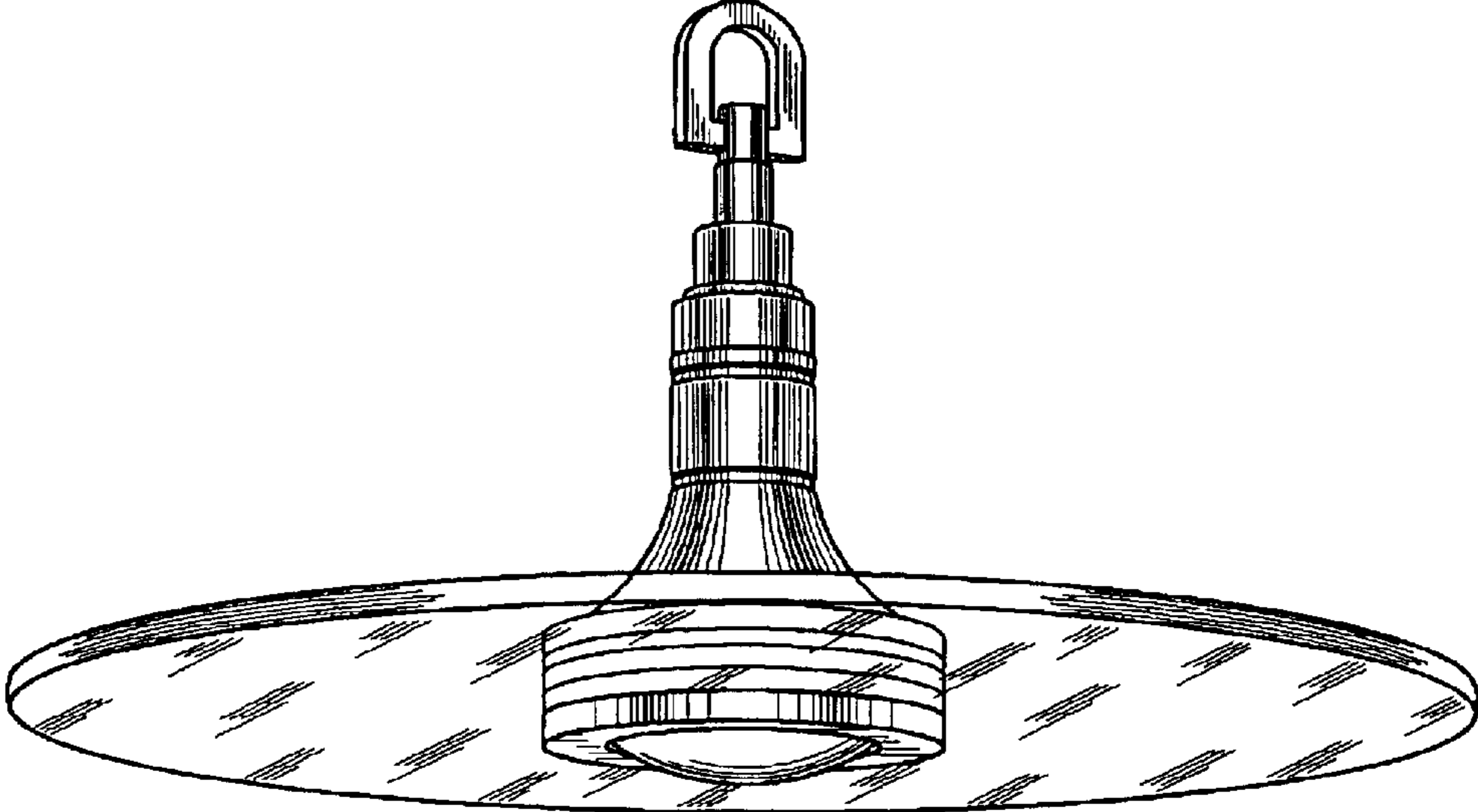
FIG. 4 is a bottom plan view of the lighting fixture in accordance with my design; and,

FIG. 5 is a side elevation view of the lighting fixture in accordance with my design.

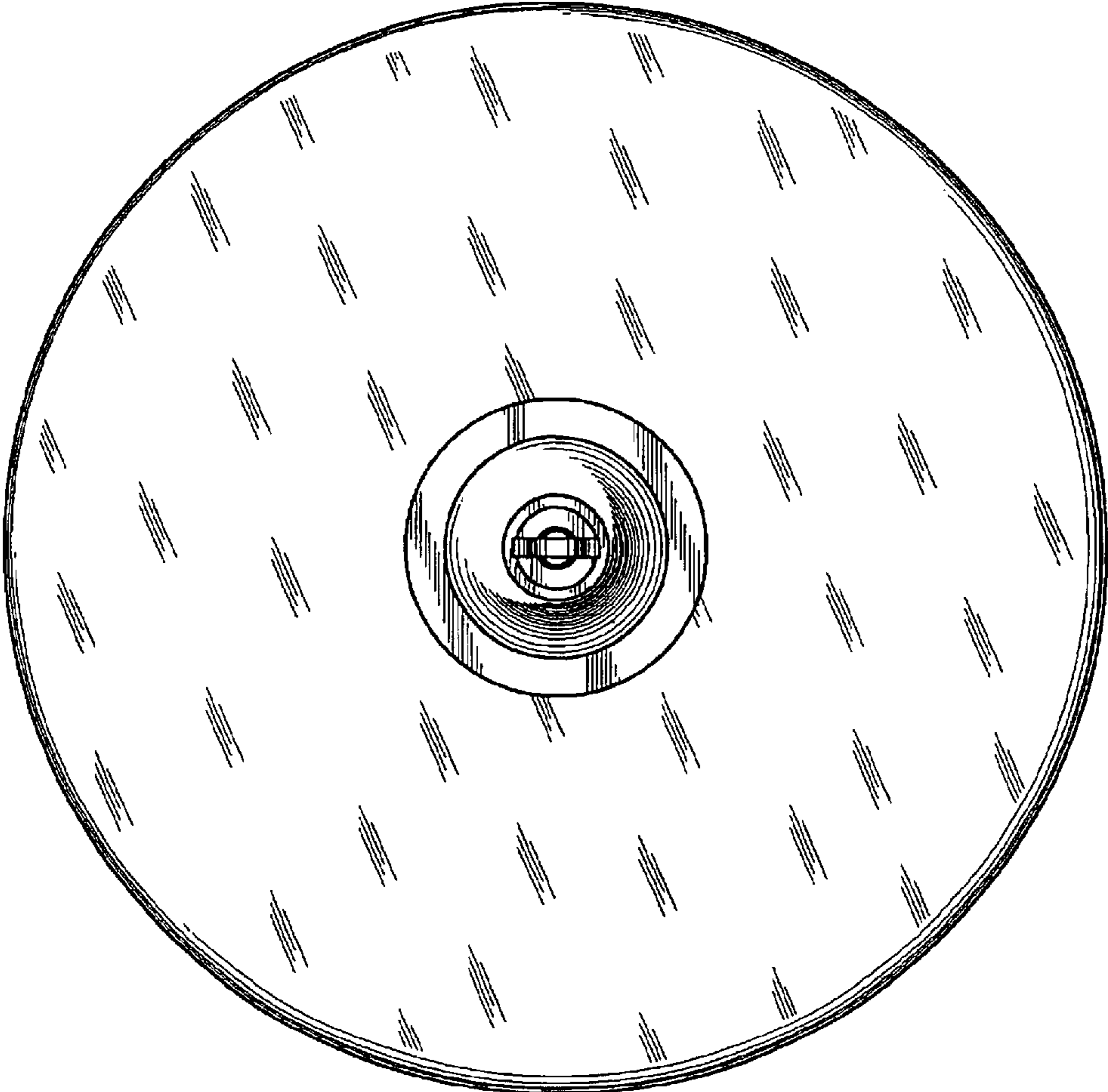
The front and side elevation views are symmetrical.

**1 Claim, 3 Drawing Sheets**

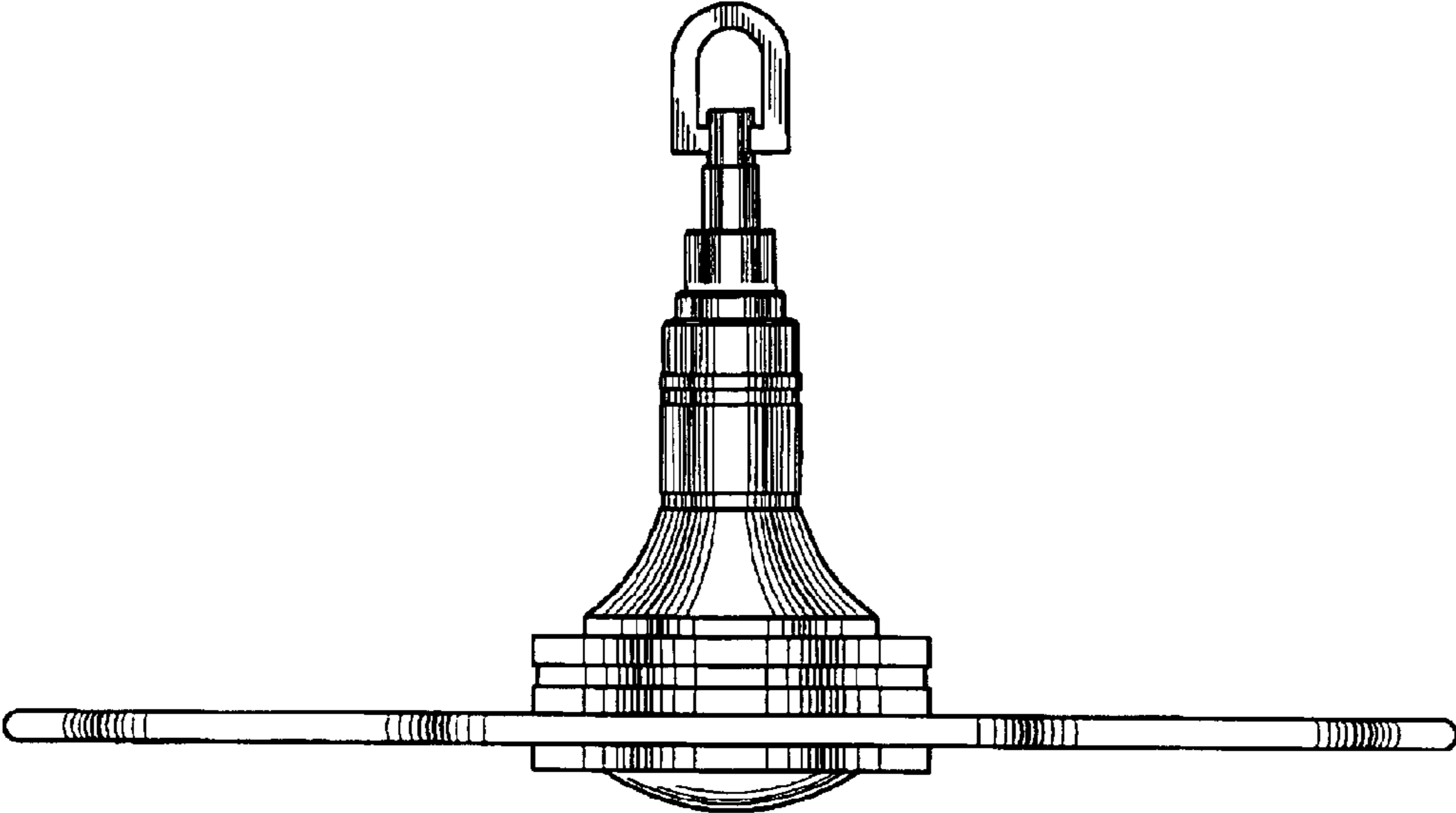




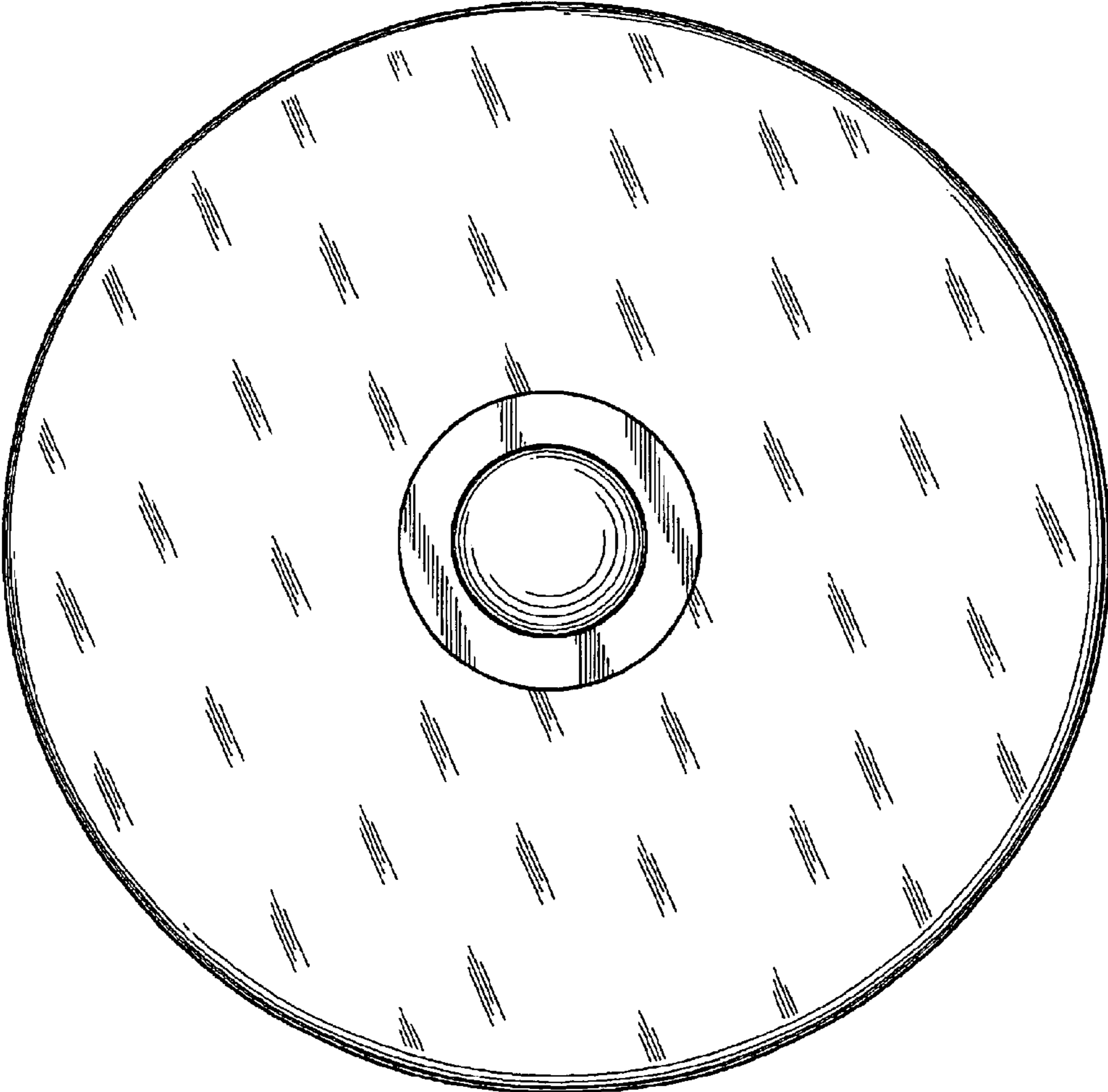
*Fig.1*



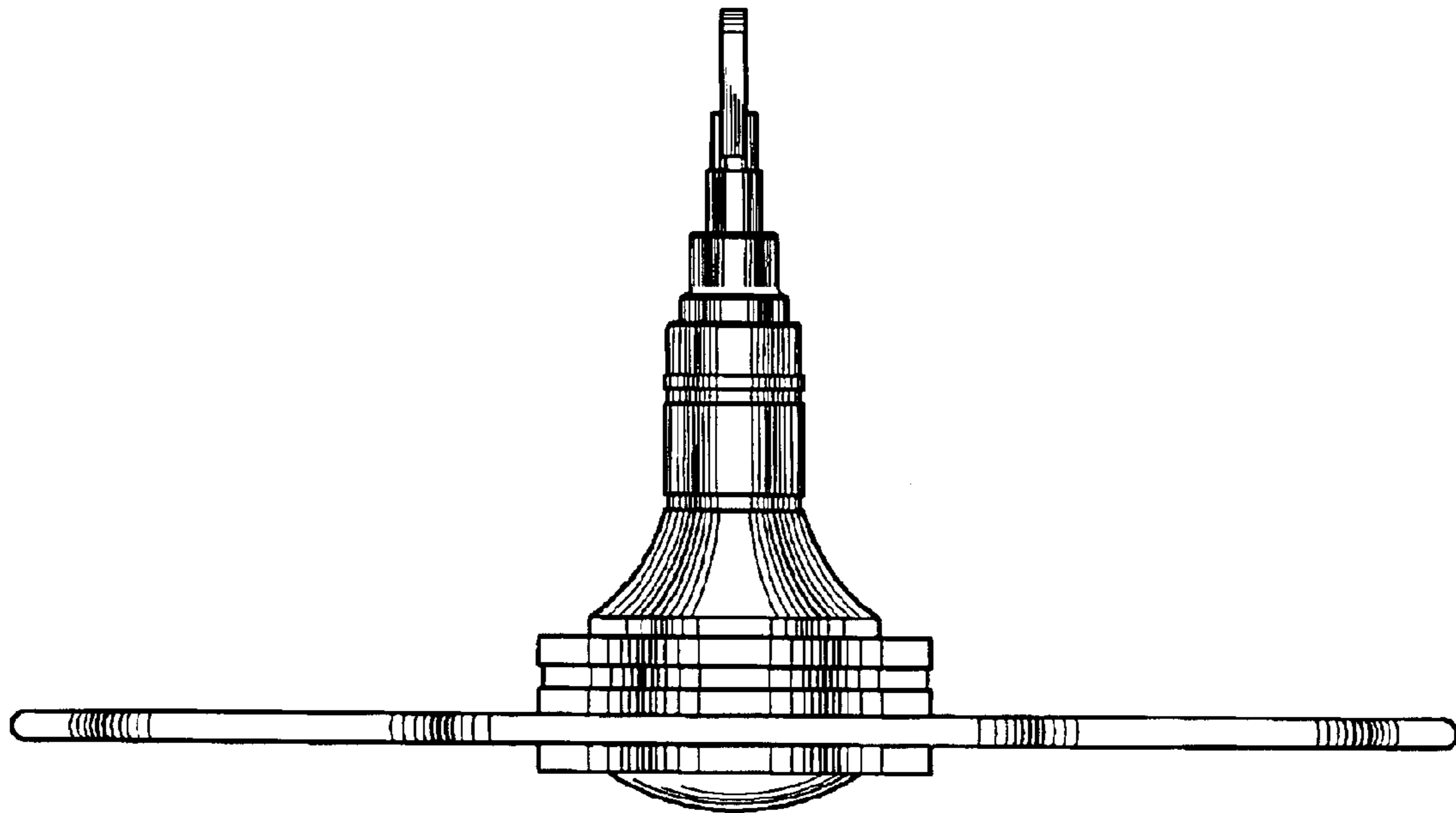
*Fig.2*



*Fig.3*



*Fig.4*



*Fig.5*

UNITED STATES PATENT AND TRADEMARK OFFICE  
**CERTIFICATE OF CORRECTION**

PATENT NO. : Des. 492,440 S  
DATED : June 29, 2004  
INVENTOR(S) : Miguel Parres

Page 1 of 1

It is certified that error appears in the above-identified patent and that said Letters Patent is hereby corrected as shown below:

Title page.

Item [56], **References Cited**, OTHER PUBLICATIONS, after the reference "Pendant 3 Light Incandescent # 3041B Oct. 2003" please add the phrase -- Kichler, Inc. --.

Signed and Sealed this

Thirtieth Day of November, 2004

A handwritten signature in black ink on a dotted background. The signature reads "Jon W. Dudas" in a cursive style.

JON W. DUDAS

*Director of the United States Patent and Trademark Office*