

US00D492437S1

(12) **United States Design Patent**
Hon et al.

(10) **Patent No.:** **US D492,437 S**
(45) **Date of Patent:** **** Jun. 29, 2004**

(54) **SOLAR POWERED OUTDOOR LIGHT**

(75) Inventors: **Siu Cheong Hon**, Tseung Kwan O
(HK); **Gary Mazurek**, Plano, TX (US)

(73) Assignee: **The Brinkmann Corporation**, Dallas,
TX (US)

(**) Term: **14 Years**

(21) Appl. No.: **29/176,299**

(22) Filed: **Feb. 19, 2003**

(51) **LOC (7) Cl.** **26-05**

(52) **U.S. Cl.** **D26/67**

(58) **Field of Search** D26/24, 67-73,
D26/80, 82, 84-92, 128; 362/145, 147,
153, 153.1, 186, 257, 276, 312, 330, 351,
354, 358, 361-363, 431-433, 806

(56) **References Cited**

U.S. PATENT DOCUMENTS

D37,742 S	12/1905	Davis	
D66,189 S	12/1924	Jaeger	
D67,423 S	5/1925	Walker	
D67,929 S	8/1925	Lipschutz	
D72,714 S	5/1927	Lipschutz	
D76,062 S	8/1928	Shortt	
D81,003 S	4/1930	Haas	
D105,246 S	7/1937	Ostrow	
2,967,230 A	1/1961	Goetz et al.	240/3
3,239,958 A	3/1966	Daum	40/145
D206,082 S	10/1966	Rosen	D48/4
D220,641 S	5/1971	Lewis	D48/4
D251,629 S	4/1979	Nelson	D48/4 B
D302,477 S	7/1989	Bohler	D26/81
D309,796 S	8/1990	Koziol	D26/87
D313,868 S	1/1991	Shyu	D26/87
D314,834 S	2/1991	Rottner	D26/87
D316,759 S	5/1991	Choi	D26/87
D383,865 S	9/1997	Heiberg et al.	D26/67
D387,458 S	12/1997	Ruggles et al.	D26/67
D388,220 S	12/1997	Hsu	D26/87
D394,325 S	5/1998	Hsu	D26/87
D394,519 S	5/1998	Hsu	D26/87
D409,780 S	5/1999	Maxwell	D26/67
D420,162 S	2/2000	Meck et al.	D26/87
D420,459 S	2/2000	Meck et al.	D26/87

D420,760 S	2/2000	Meck et al.	D26/87
D421,504 S	3/2000	Meck et al.	D26/67
D428,507 S	7/2000	De'Armond	D26/72
D428,662 S	7/2000	Jaspers-Fayer et al.	D26/67
D429,016 S	8/2000	Cohen	D26/67
D446,335 S	8/2001	Cheong	D26/85
D455,514 S	4/2002	Cheong	D26/68
D456,936 S	5/2002	Hsu	D26/87
D470,963 S	2/2003	Cheong	D26/67

OTHER PUBLICATIONS

Home Lighting & Accessories, Aug. 1995, p. 19, Exterior Wall Lamp, Exterior Lamp Box.

Kichler Lighting Catalog, 1989, p. 93, Post Latern #K-9955, Exterior Lamp Box.

Phoenix Lighting Co. catalog, Aug. 1995, p. 48.

5 pages from catalogs and brochures, title and date unknown.

Primary Examiner—Clare Heflin

(74) *Attorney, Agent, or Firm*—Sheppard, Mullin, Richter & Hampton LLP

(57) **CLAIM**

We claim the ornamental design for a solar powered outdoor light, as shown and described.

DESCRIPTION

FIG. 1 is a perspective view of a first embodiment of a solar powered outdoor light showing the new design;

FIG. 2 is a front elevational view thereof;

FIG. 3 is a left side elevational view thereof, the right elevational view being a mirror image thereof;

FIG. 4 is a rear elevational view thereof;

FIG. 5 is a top plan view thereof;

FIG. 6 is bottom plan view thereof;

FIG. 7 is a perspective view of a second embodiment of a solar powered outdoor light showing the new design;

FIG. 8 is a front elevational view thereof;

FIG. 9 is a left side elevational view thereof, the right elevational view being a mirror image thereof;

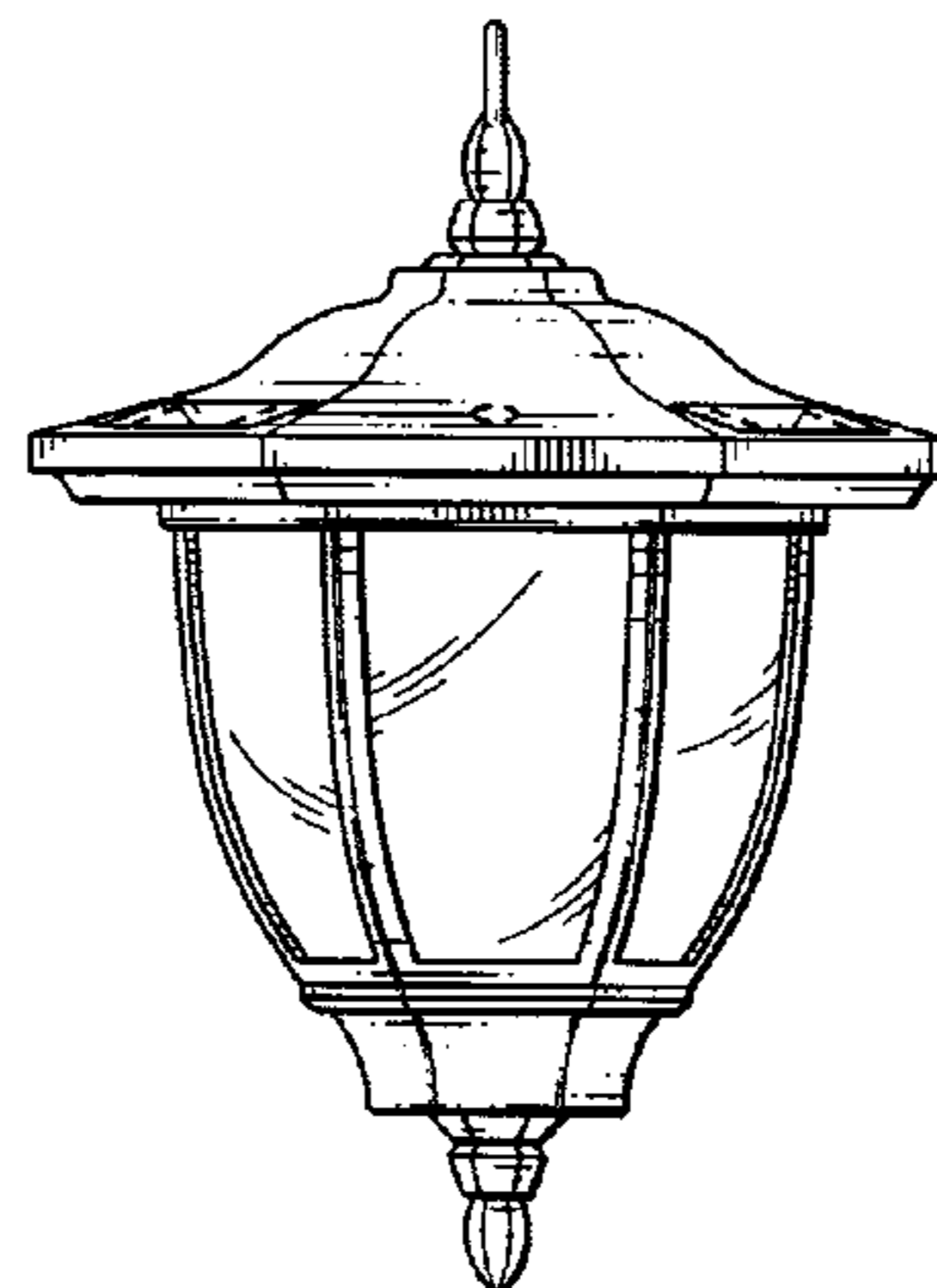
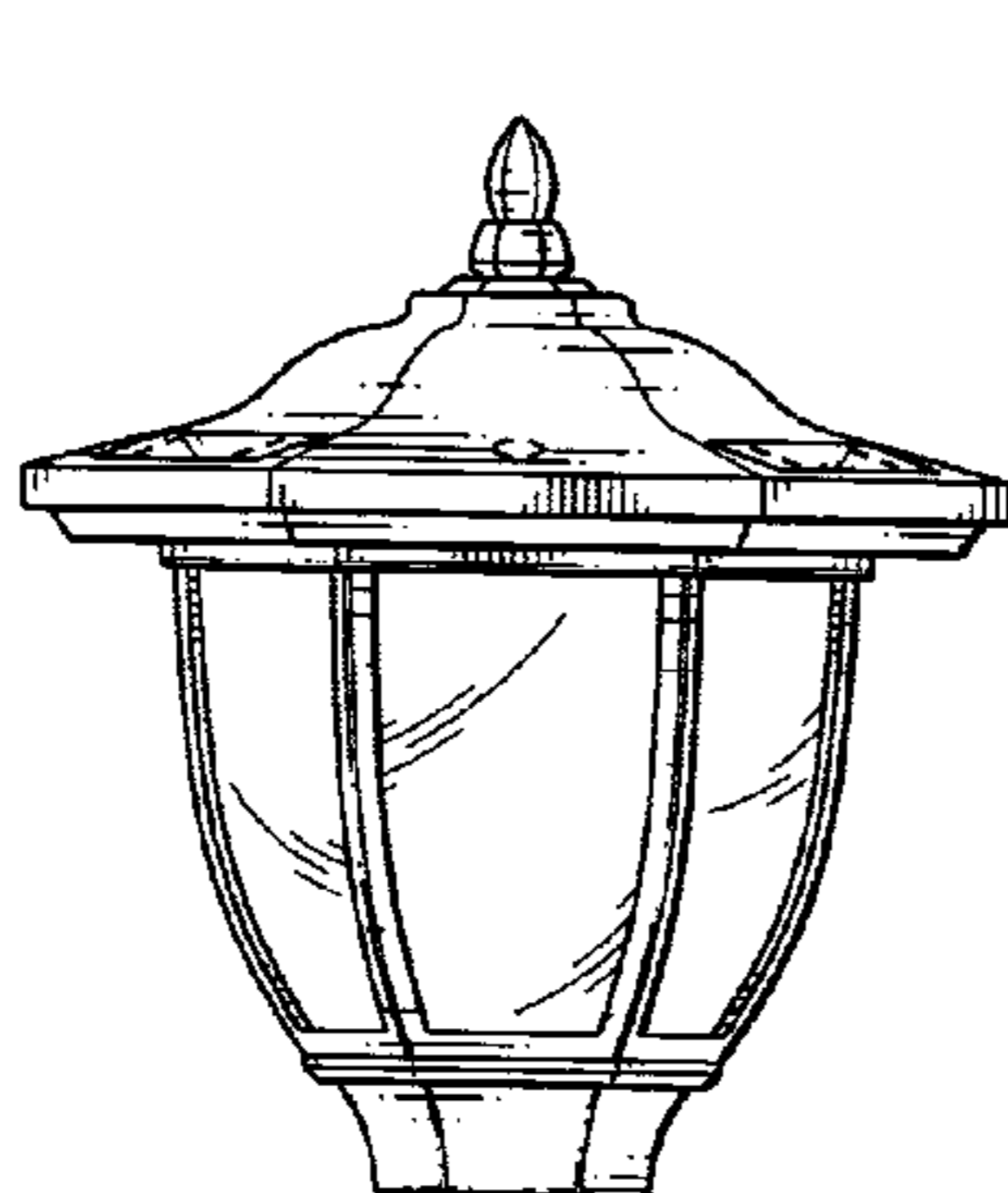
FIG. 10 is a rear elevational view thereof;

FIG. 11 is a top plan view thereof; and,

FIG. 12 is bottom plan view thereof.

The dotted lines are for illustrative purposes only and form no part of the claimed design.

1 Claim, 8 Drawing Sheets



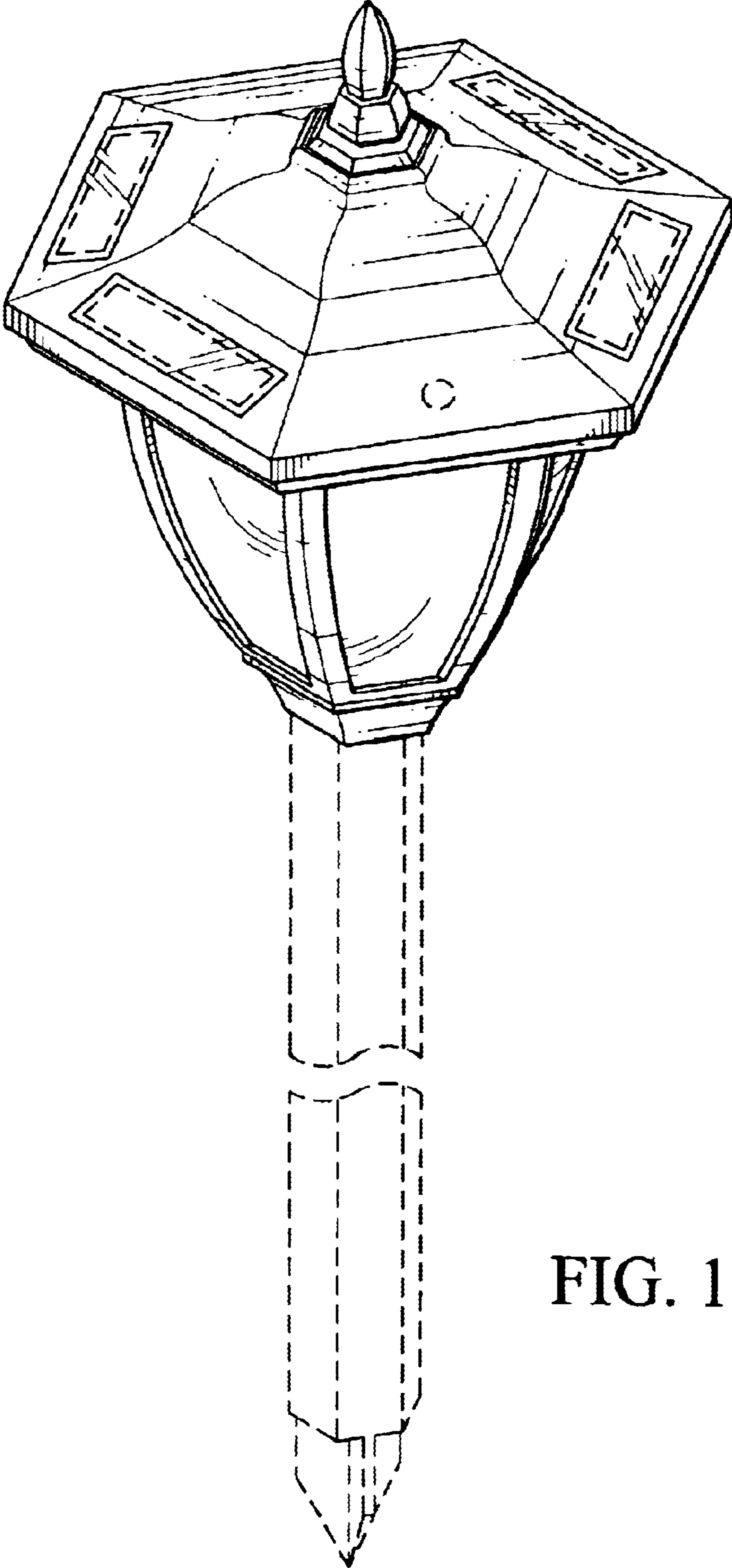


FIG. 1

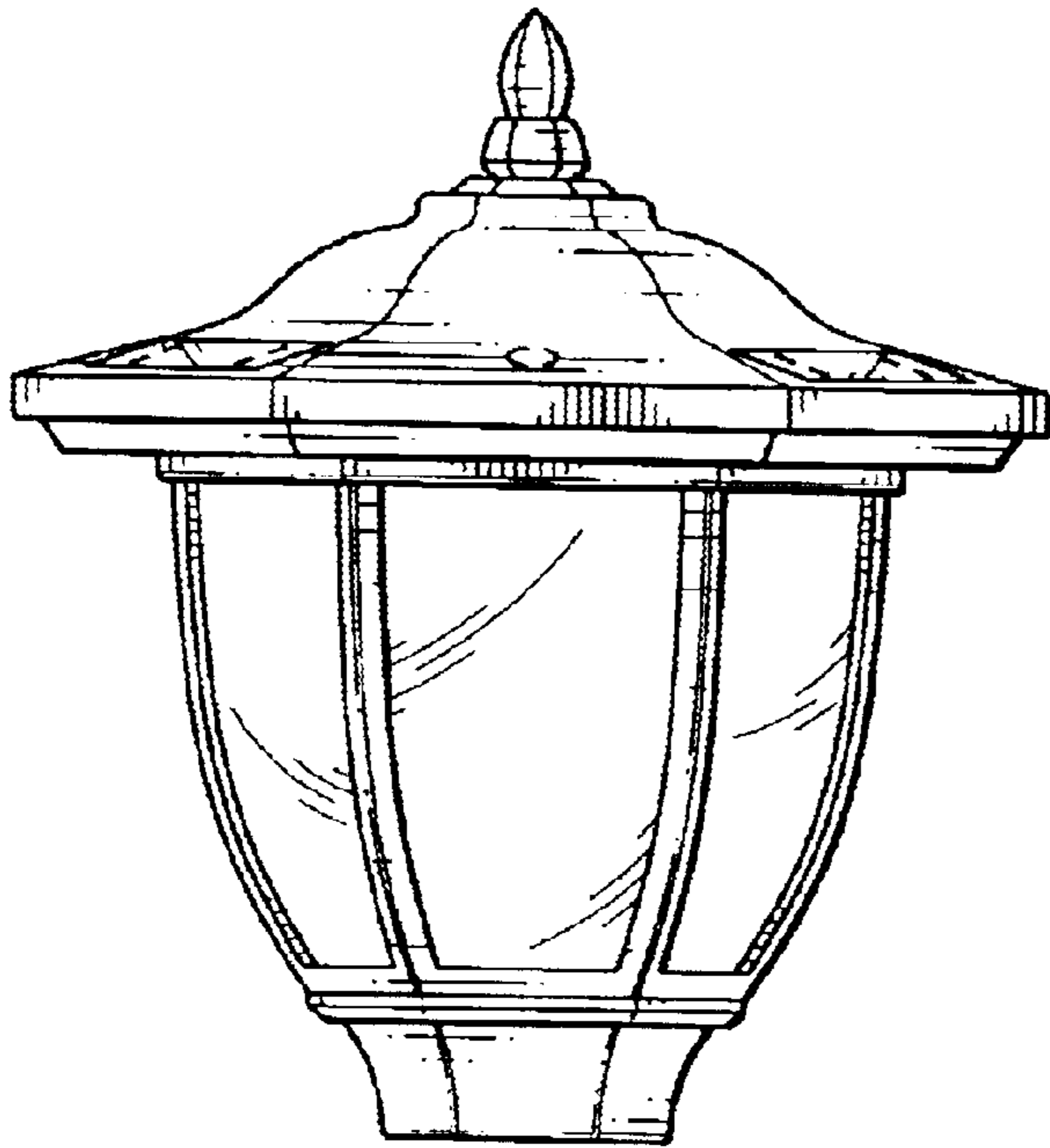


FIG. 2

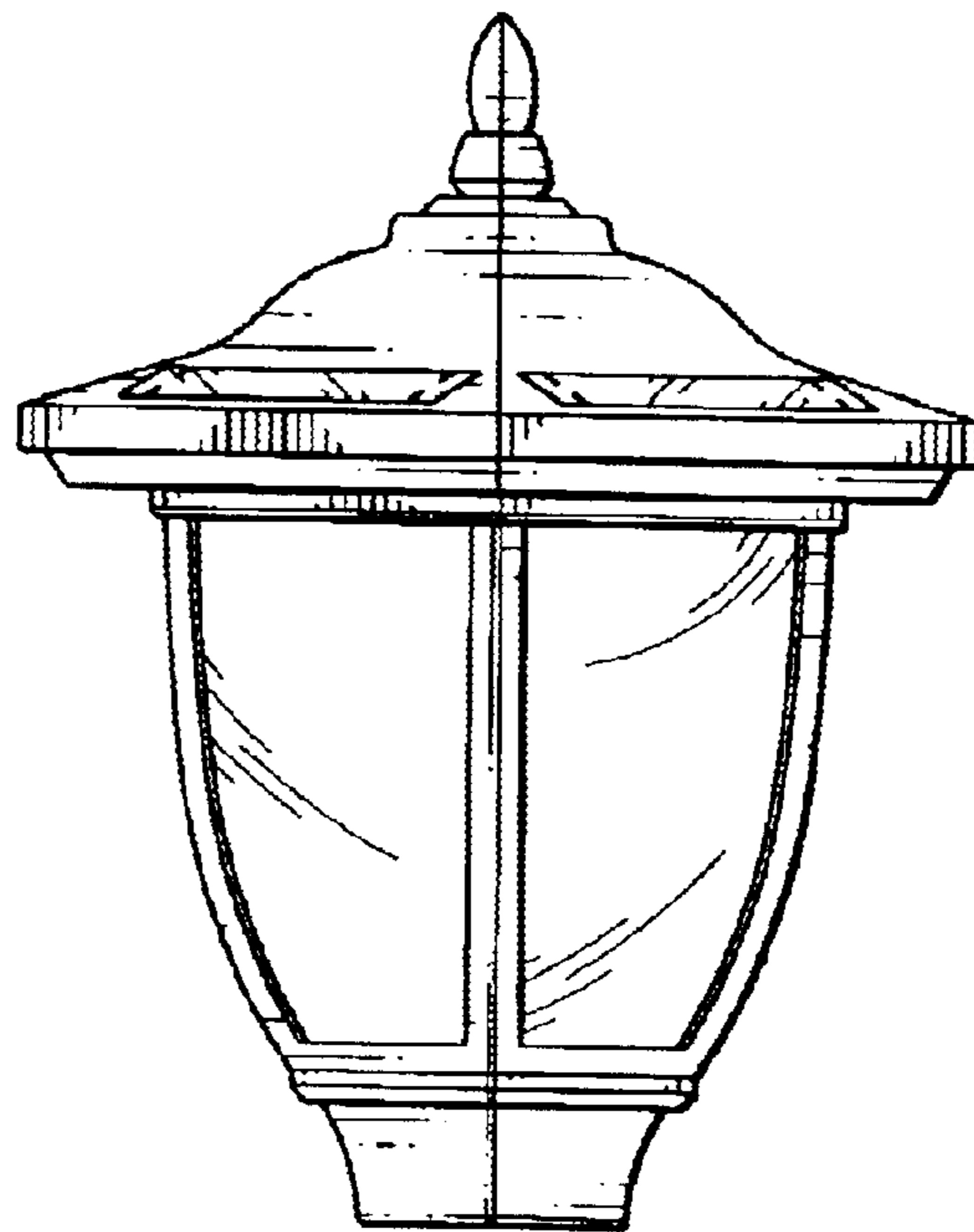


FIG. 3

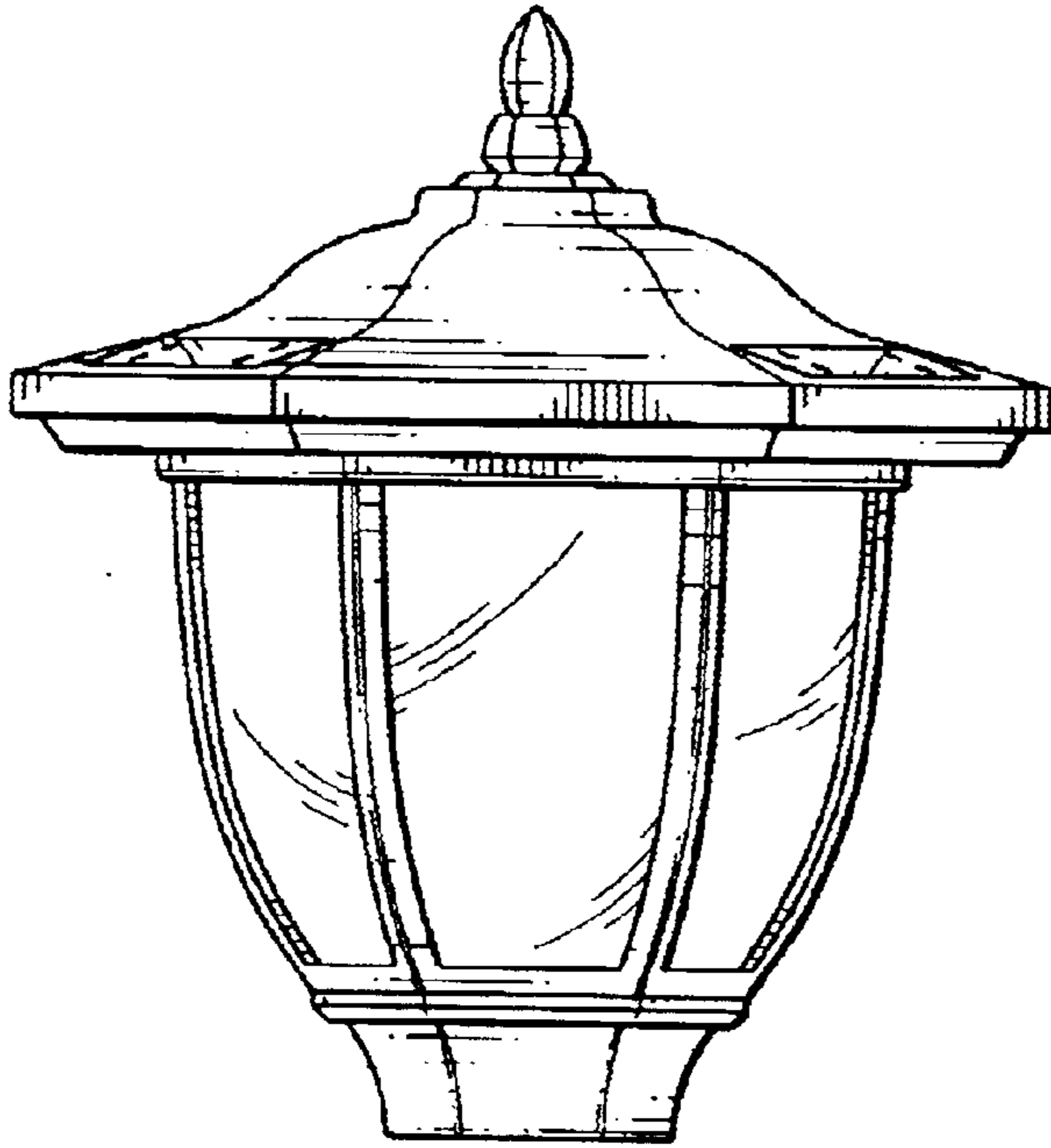


FIG. 4

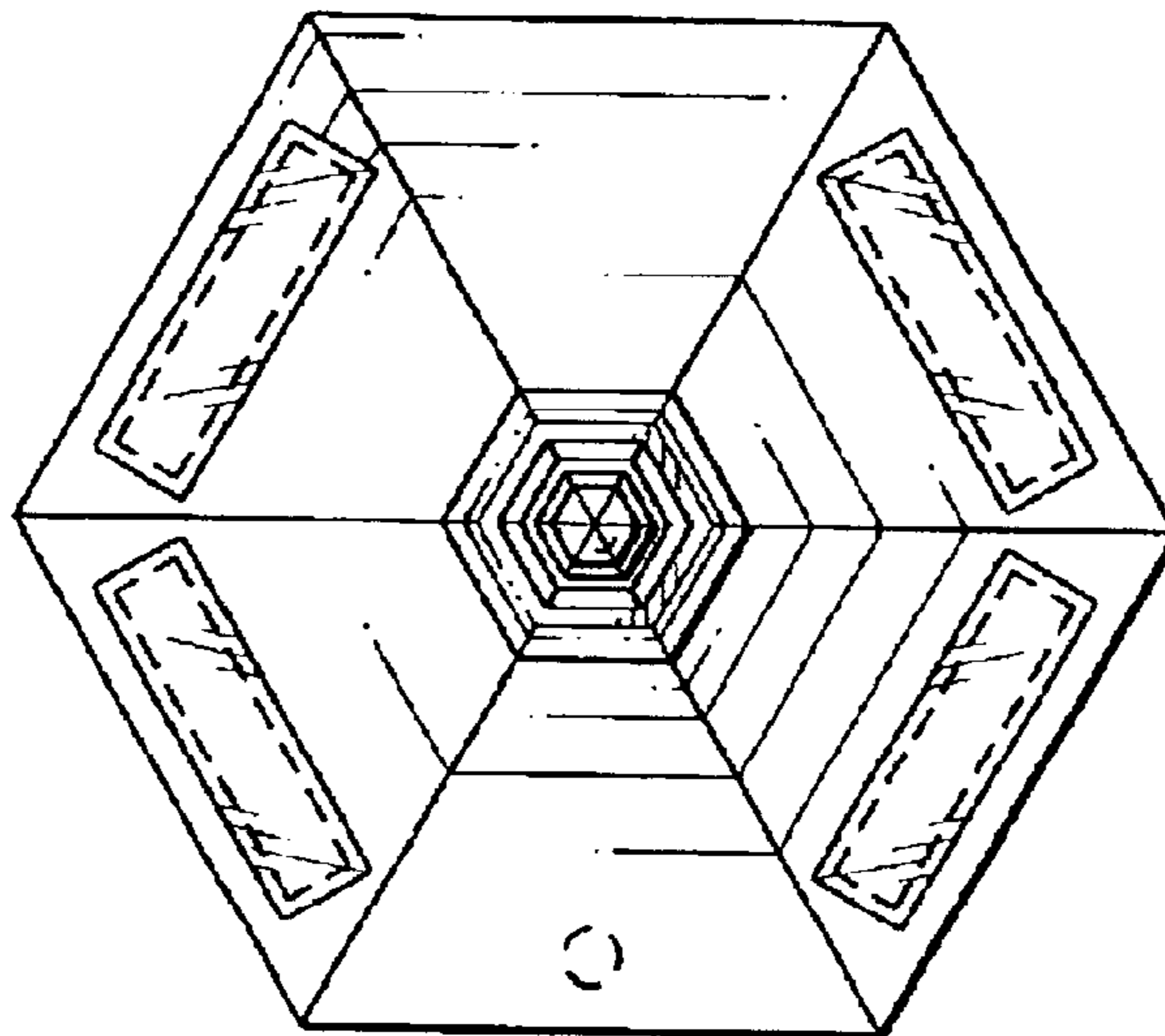


FIG. 5

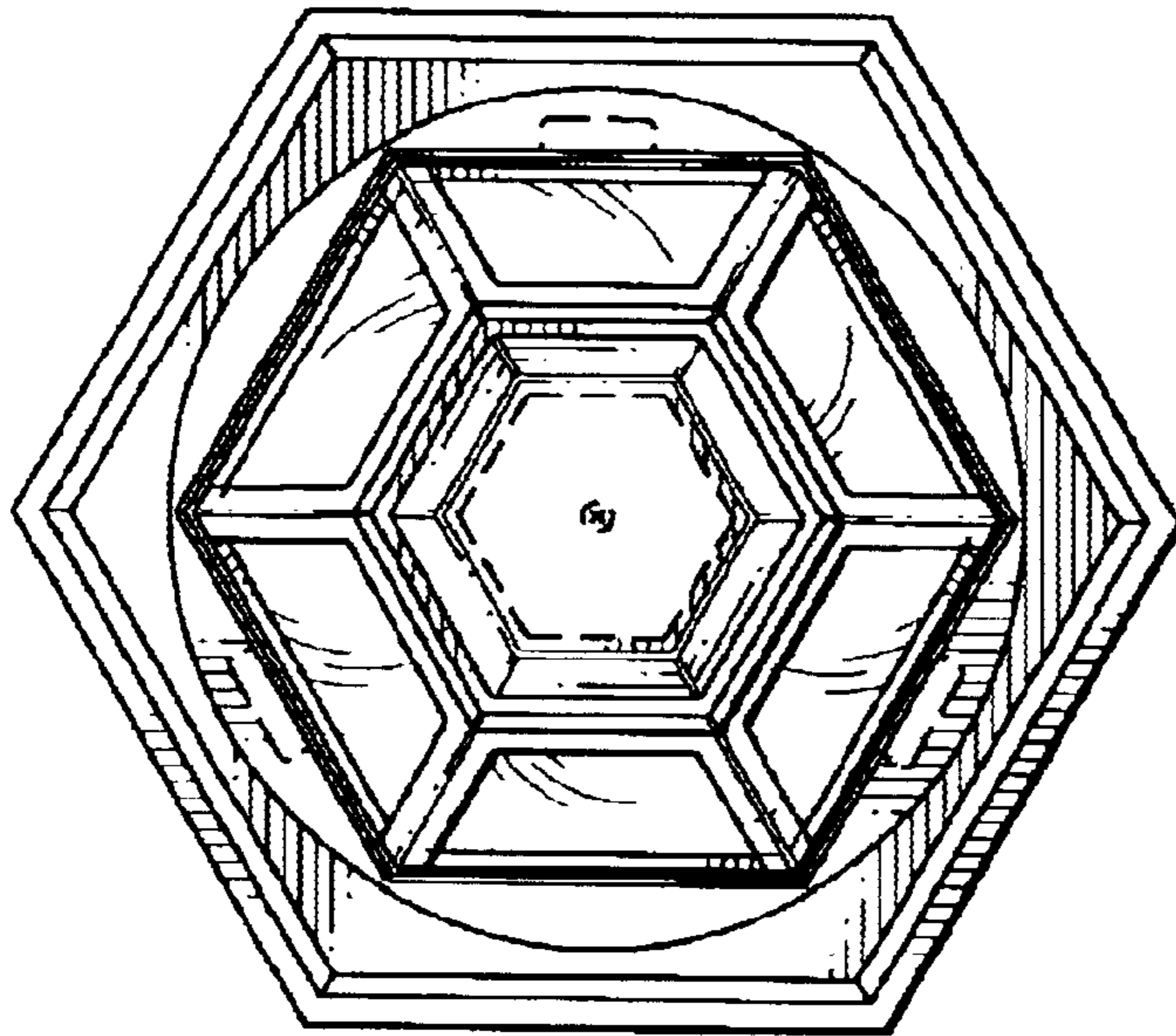


FIG. 6

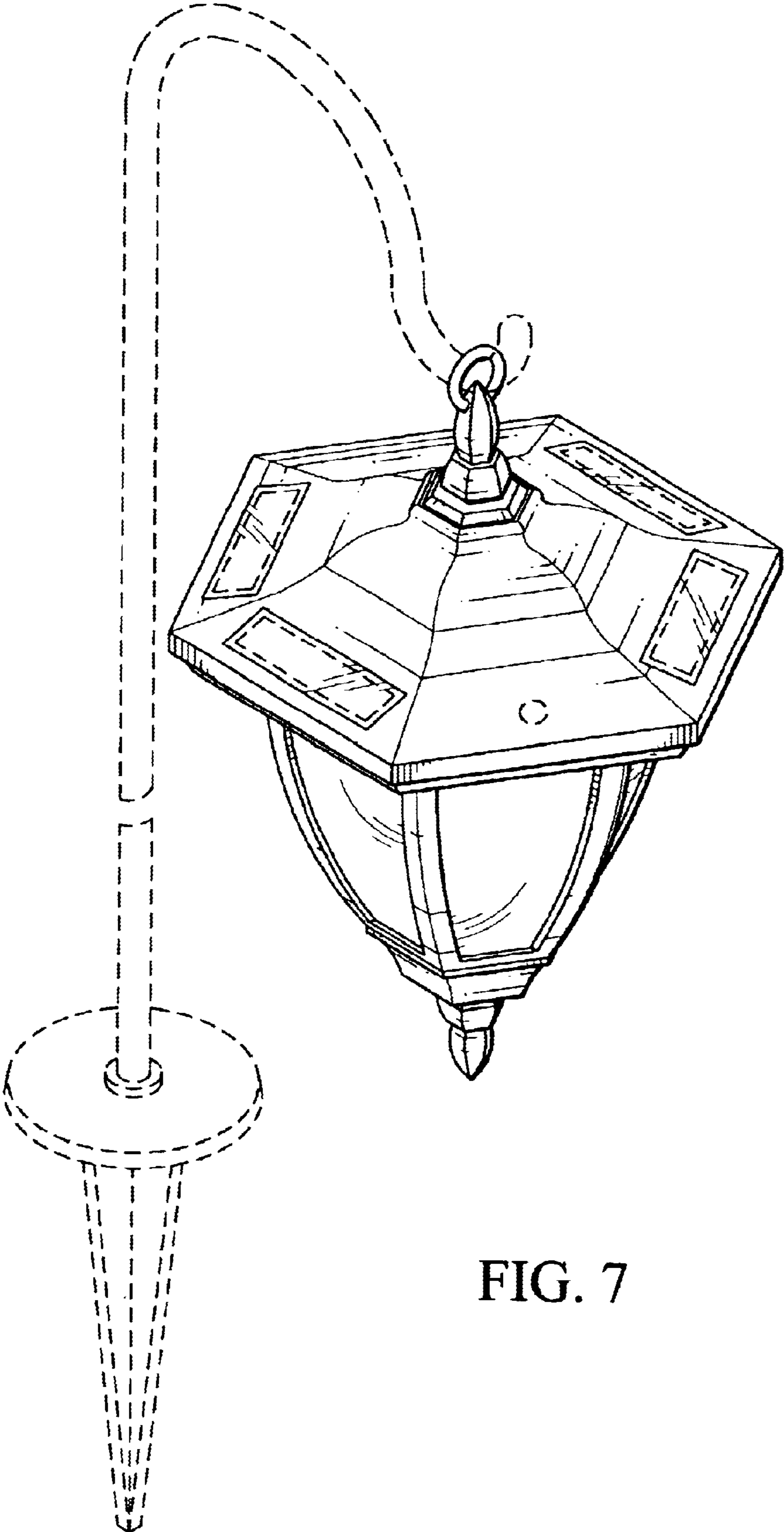


FIG. 7

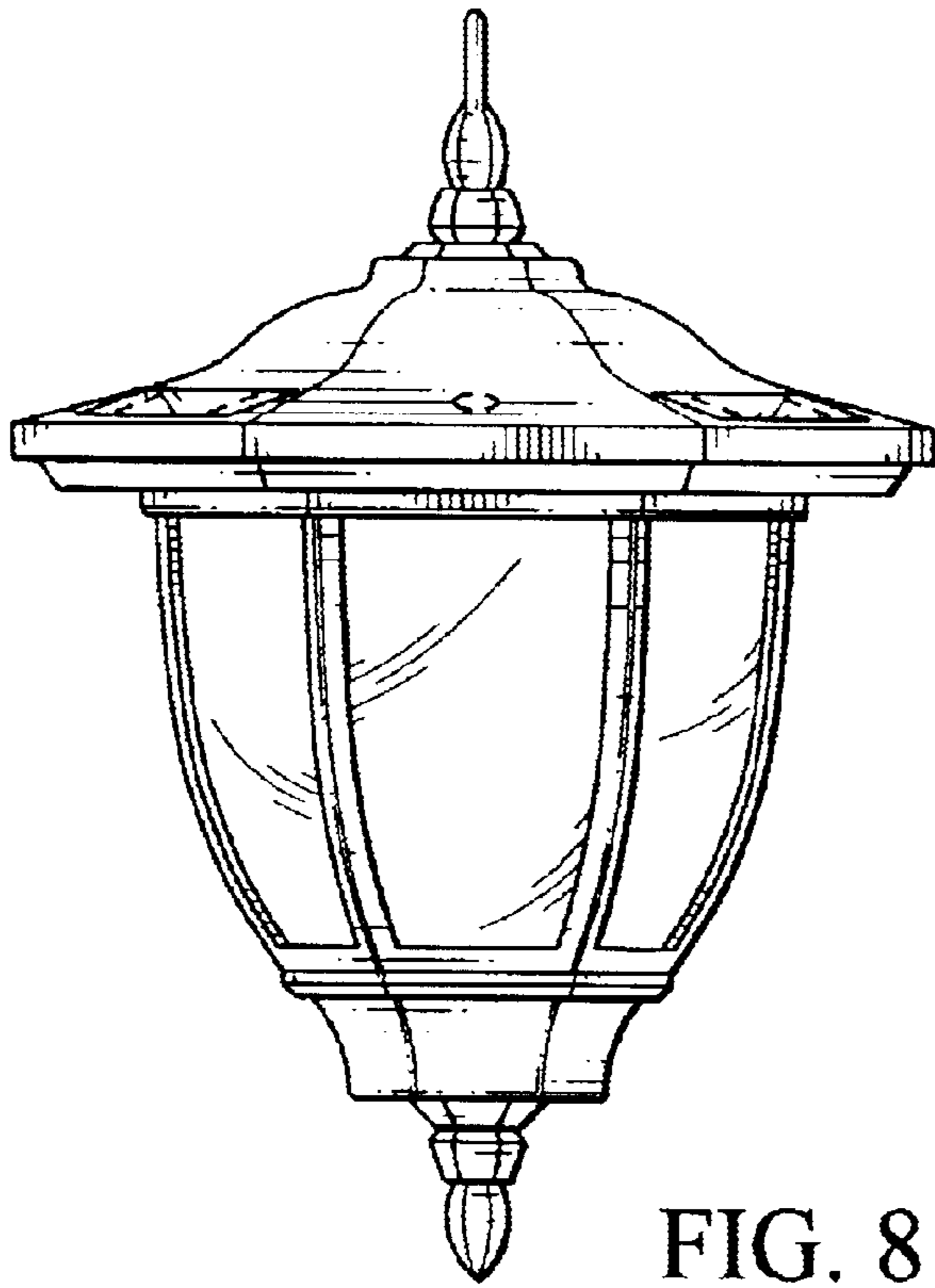


FIG. 8

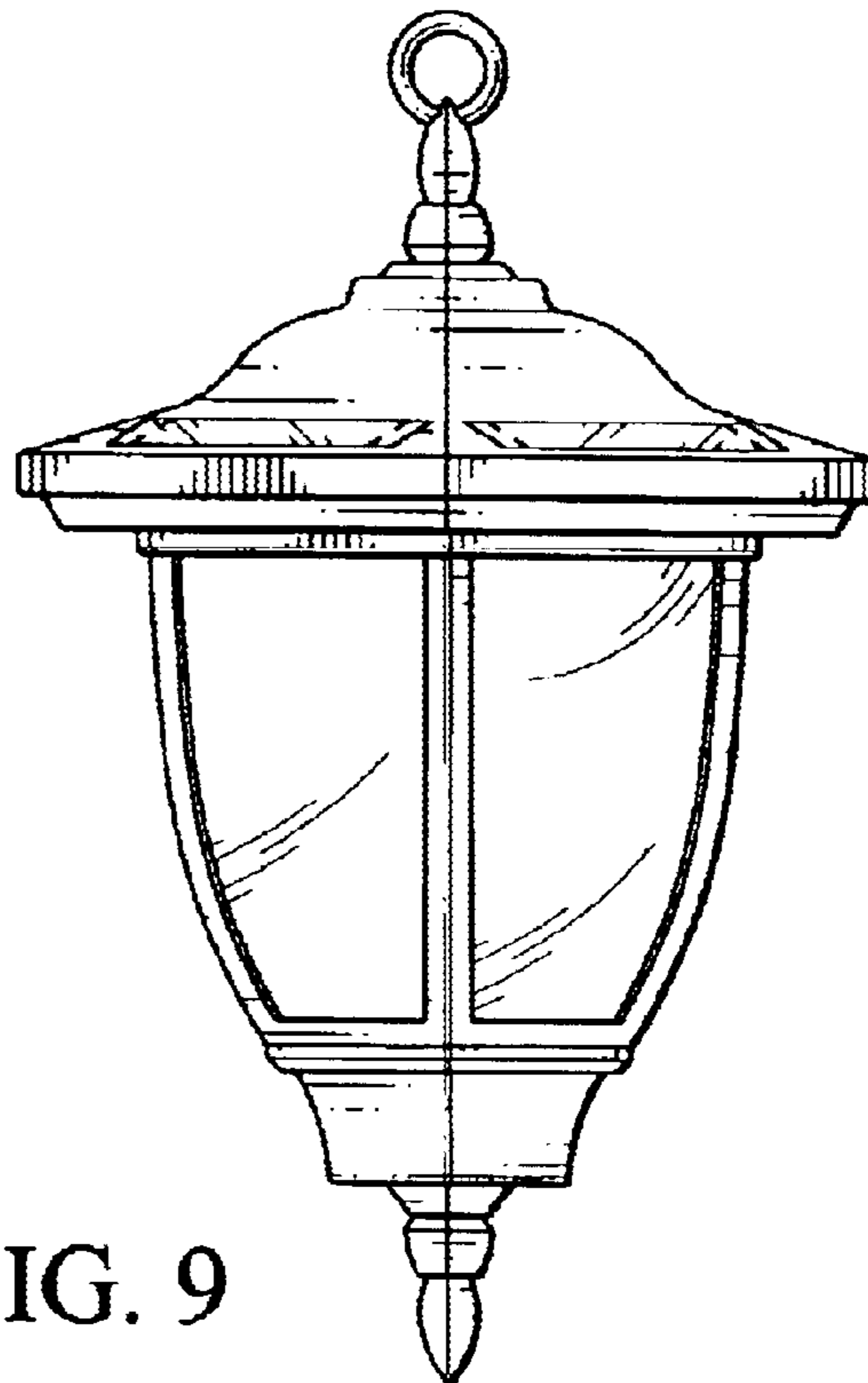


FIG. 9

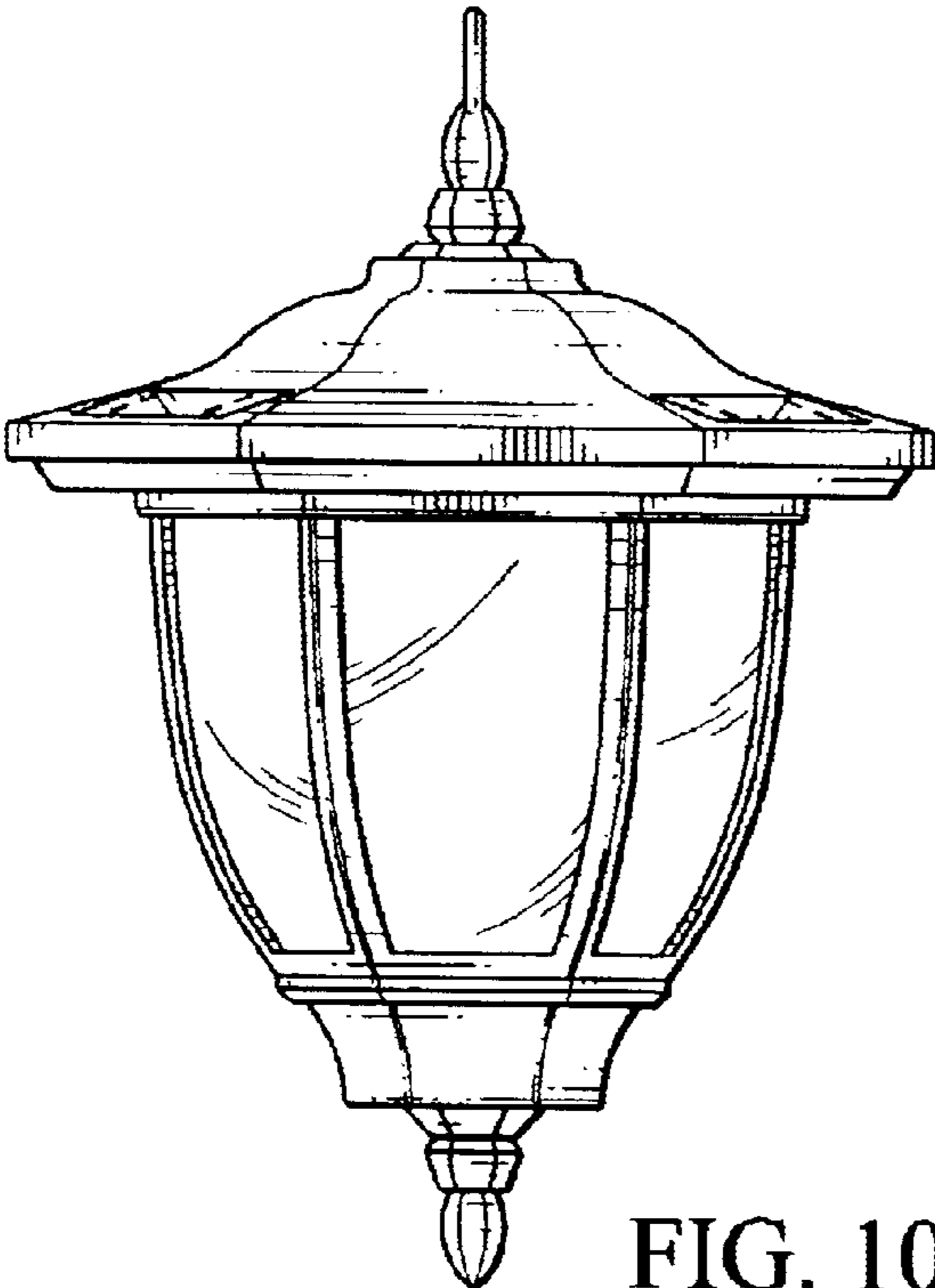


FIG. 10

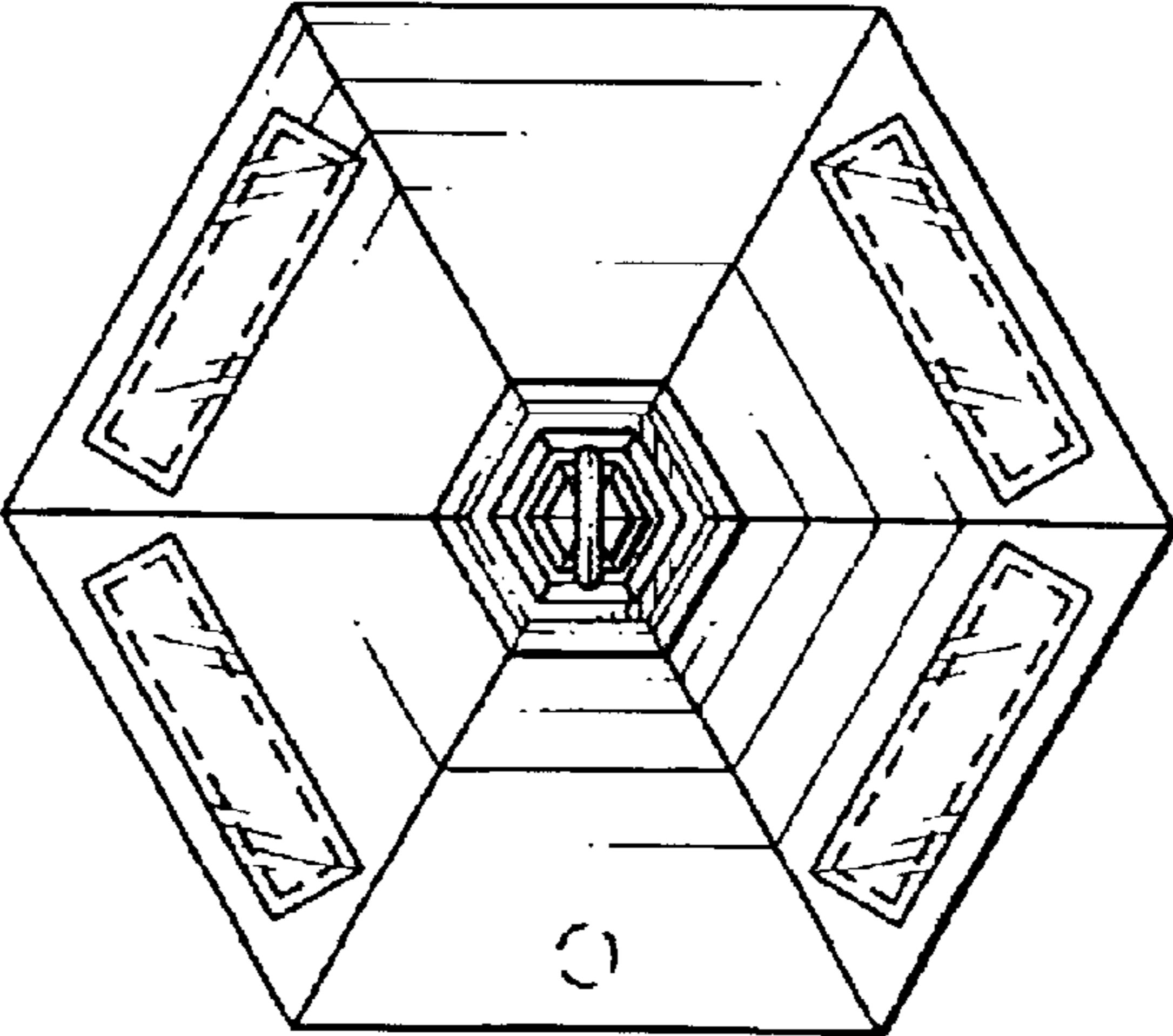


FIG. 11

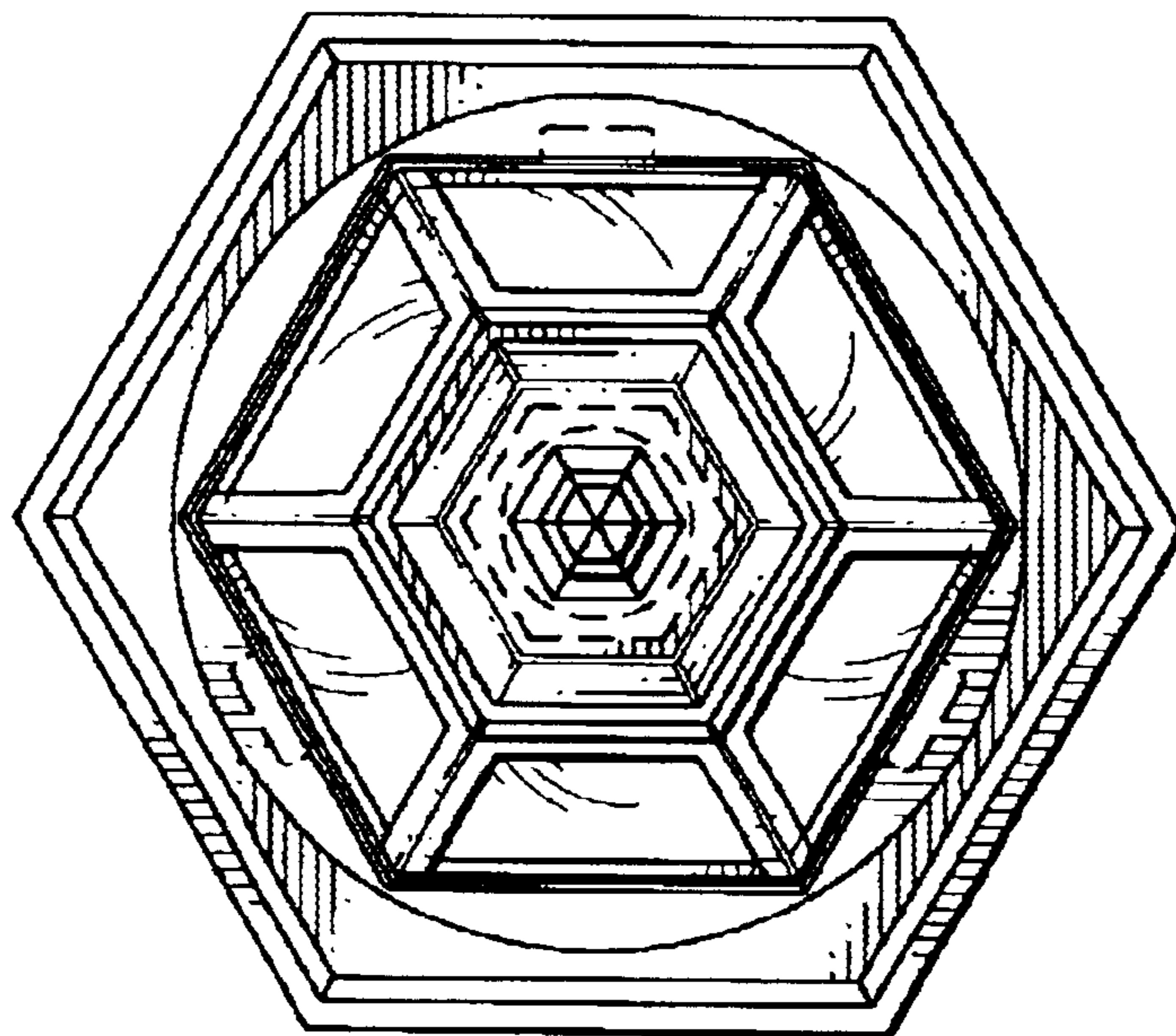


FIG. 12