



US00D492436S1

(12) **United States Design Patent**
Smith et al.

(10) **Patent No.: US D492,436 S**
(45) **Date of Patent: ** Jun. 29, 2004**

(54) **LIGHT FIXTURE**

(76) Inventors: **Carroll W. Smith**, 1093 Shotgun Rd.,
Sunrise, FL (US) 33326; **Derek J.**
Nash, 1093 Shotgun Rd., Sunrise, FL
(US) 33326; **Ruben Villarreal**, 1093
Shotgun Rd., Sunrise, FL (US) 33326

(**) Term: **14 Years**

(21) Appl. No.: **29/150,040**

(22) Filed: **Nov. 1, 2001**

(51) **LOC (7) Cl.** **26-05**

(52) **U.S. Cl.** **D26/63; 362/283; 362/811**

(58) **Field of Search** D16/221, 225;
D26/60, 63; 362/231, 280, 283, 284, 285,
374, 375, 811

(56) **References Cited**

U.S. PATENT DOCUMENTS

D118,671 S	*	1/1940	Mielziner	D26/63
3,179,791 A	*	4/1965	Mole	362/283
4,974,133 A	*	11/1990	Fujiki	362/283
5,239,452 A		8/1993	Chen	362/293
5,282,121 A		1/1994	Bornhorst et al.	362/294
D346,234 S	*	4/1994	Sammis	D26/60

6,045,242 A		4/2000	Wegrzyn et al.	362/375
D439,356 S	*	3/2001	Martinson et al.	D26/63
D464,455 S		10/2002	Fong et al.	D26/63
D465,046 S		10/2002	Layne et al.	D26/63
6,491,415 B2	*	12/2002	Orellana	362/375

* cited by examiner

Primary Examiner—Adir Aronovich

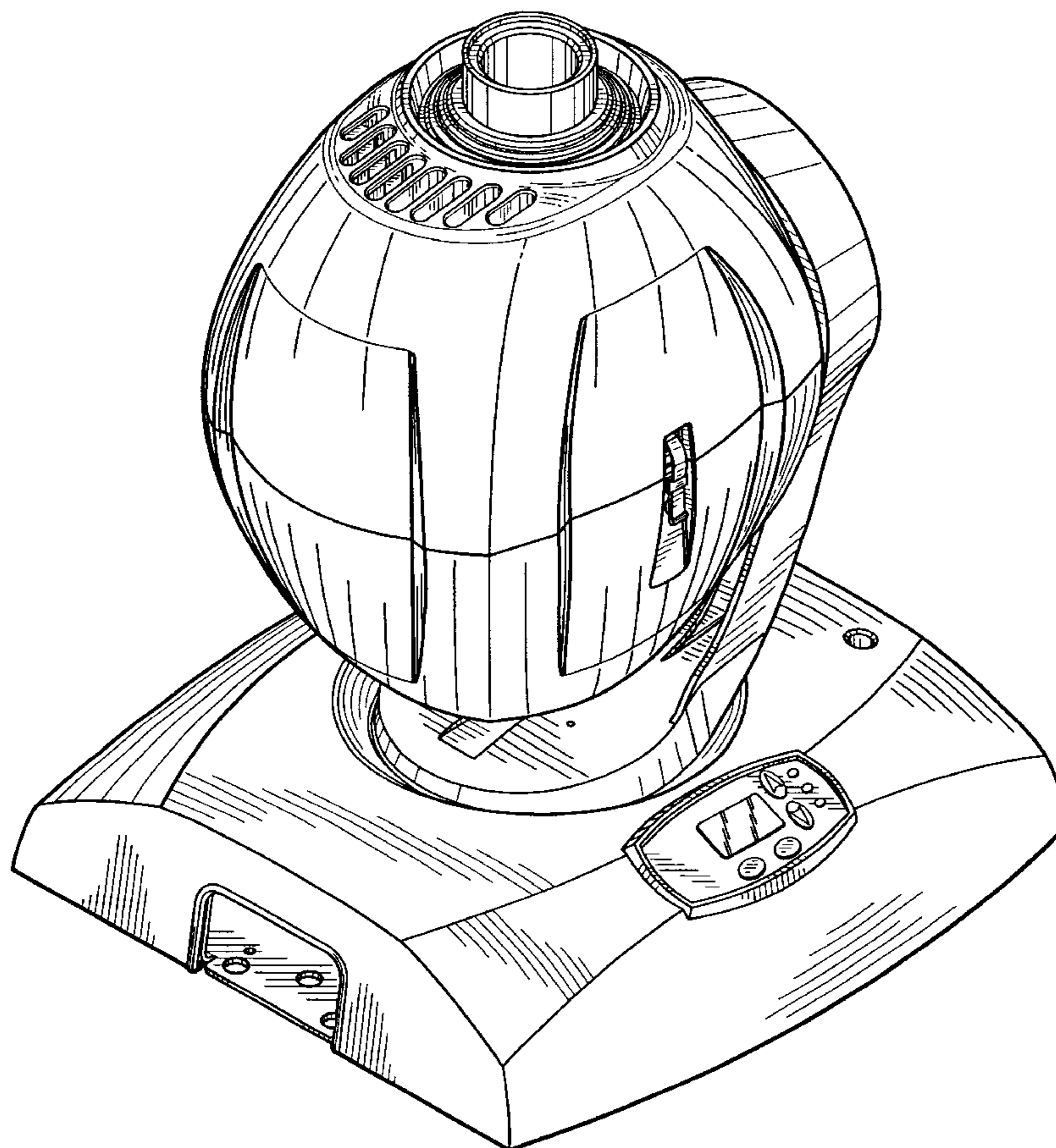
(57) **CLAIM**

The ornamental design for a light fixture, as shown and described.

DESCRIPTION

FIG. 1 is a right side elevational view of a light fixture showing our new design;
 FIG. 2 is a left side elevational view of the light fixture illustrated in FIG. 1;
 FIG. 3 is a front elevational view of the light fixture illustrated in FIGS. 1-2;
 FIG. 4 is a rear elevational view of the light fixture illustrated in FIGS. 1-3;
 FIG. 5 is a top plan view of the light fixture illustrated in FIGS. 1-4; and,
 FIG. 6 is a perspective view of the light fixture illustrated in FIGS. 1-5.

1 Claim, 6 Drawing Sheets



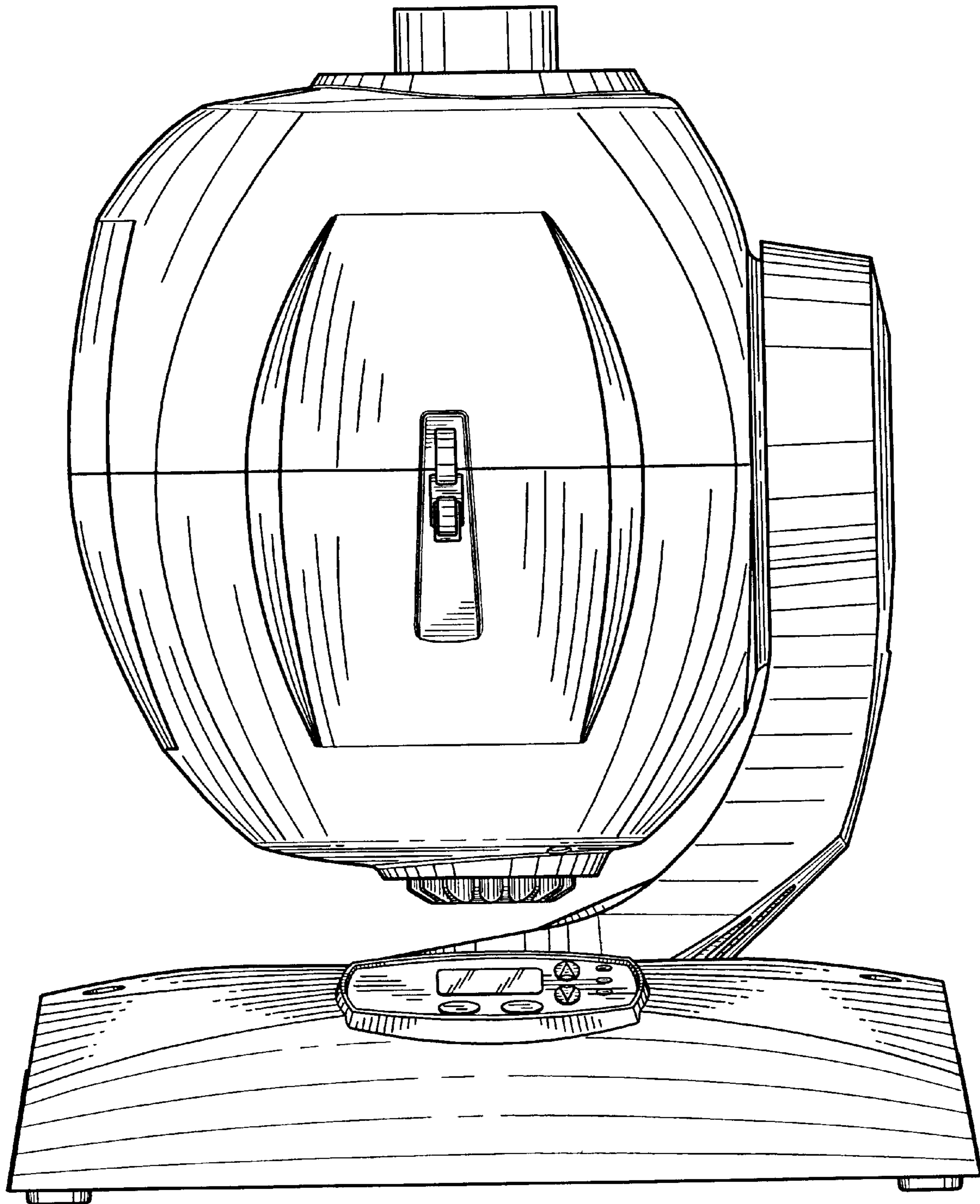


Fig. 1

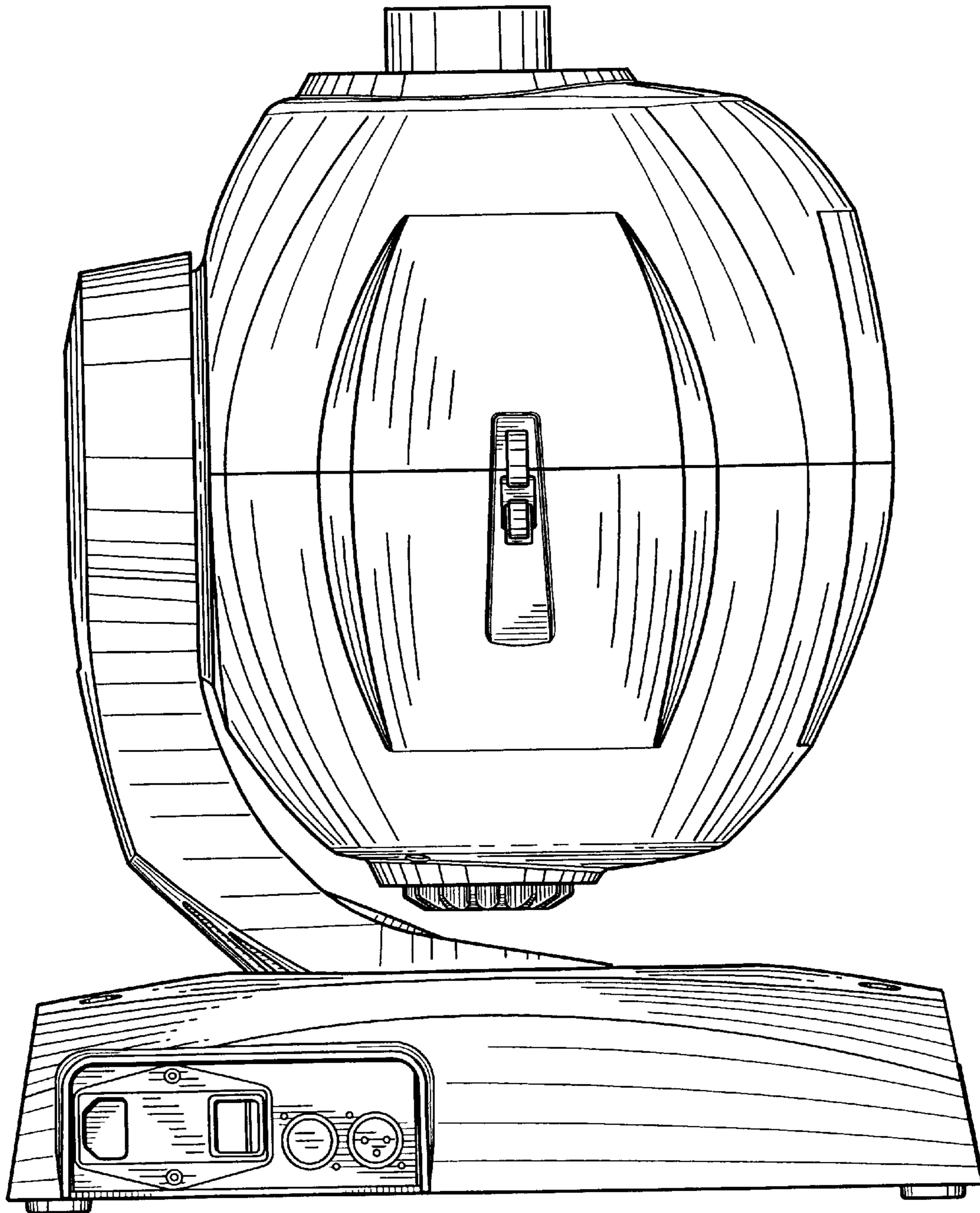


Fig. 2

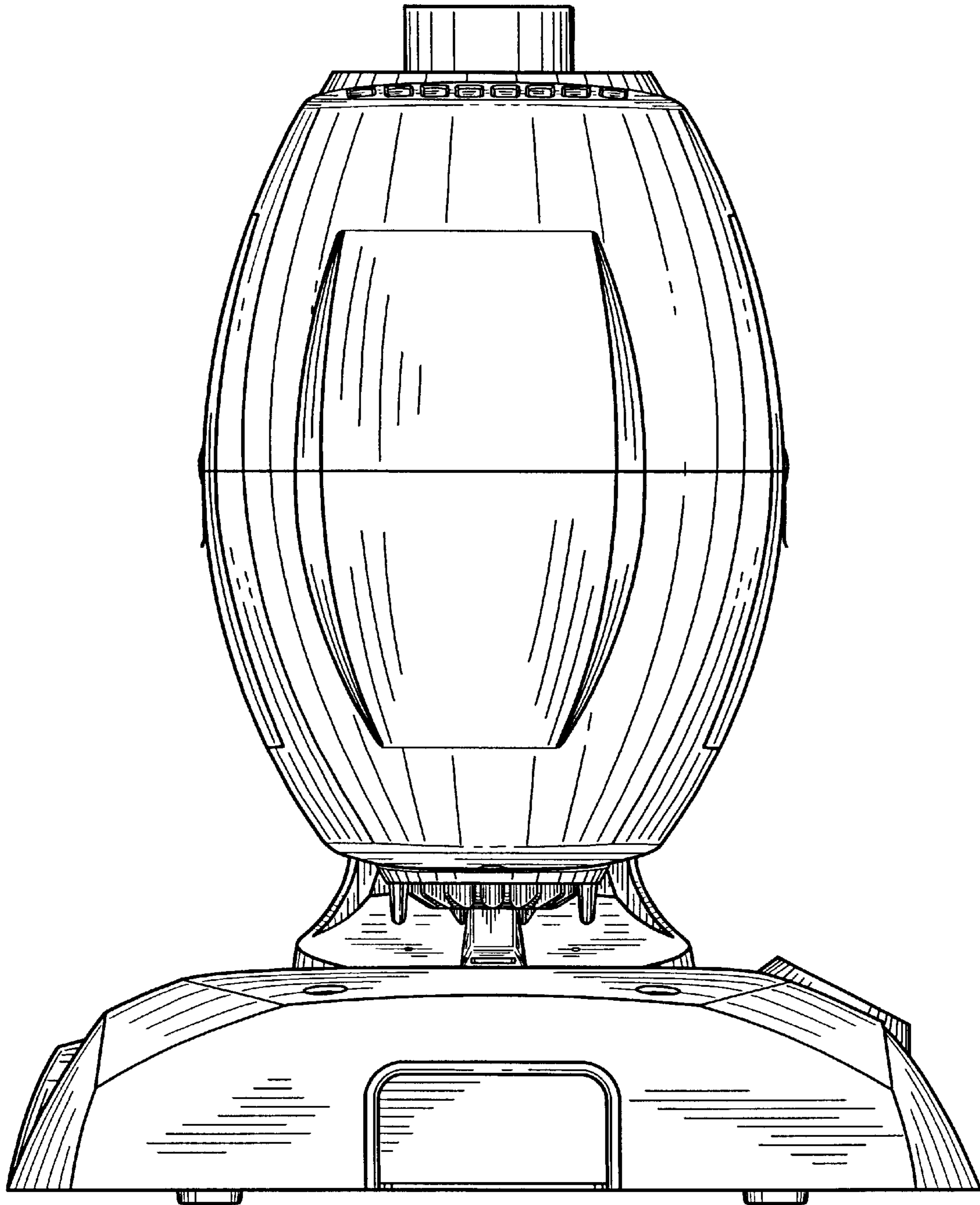


Fig. 3

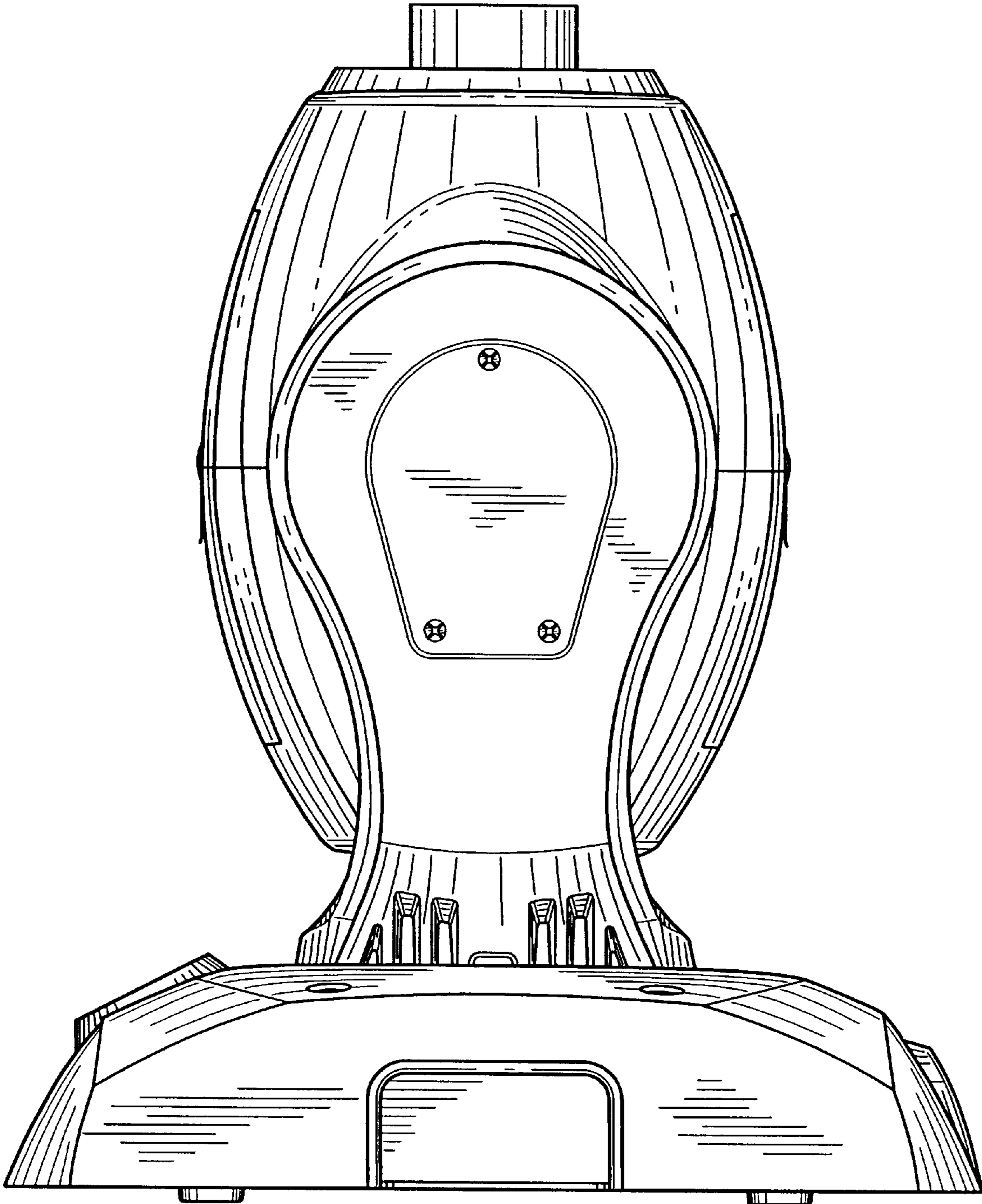


Fig. 4

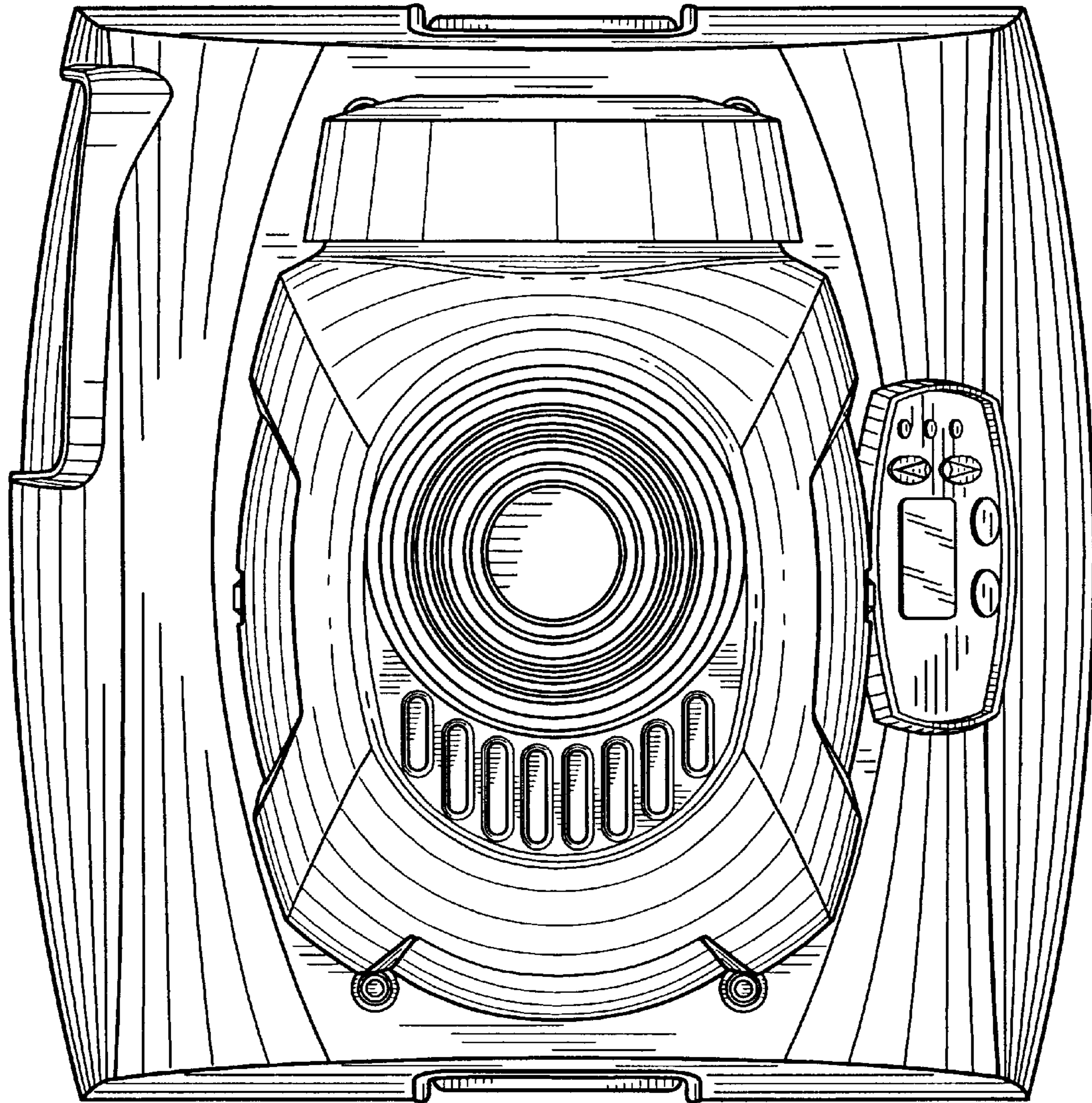


Fig. 5

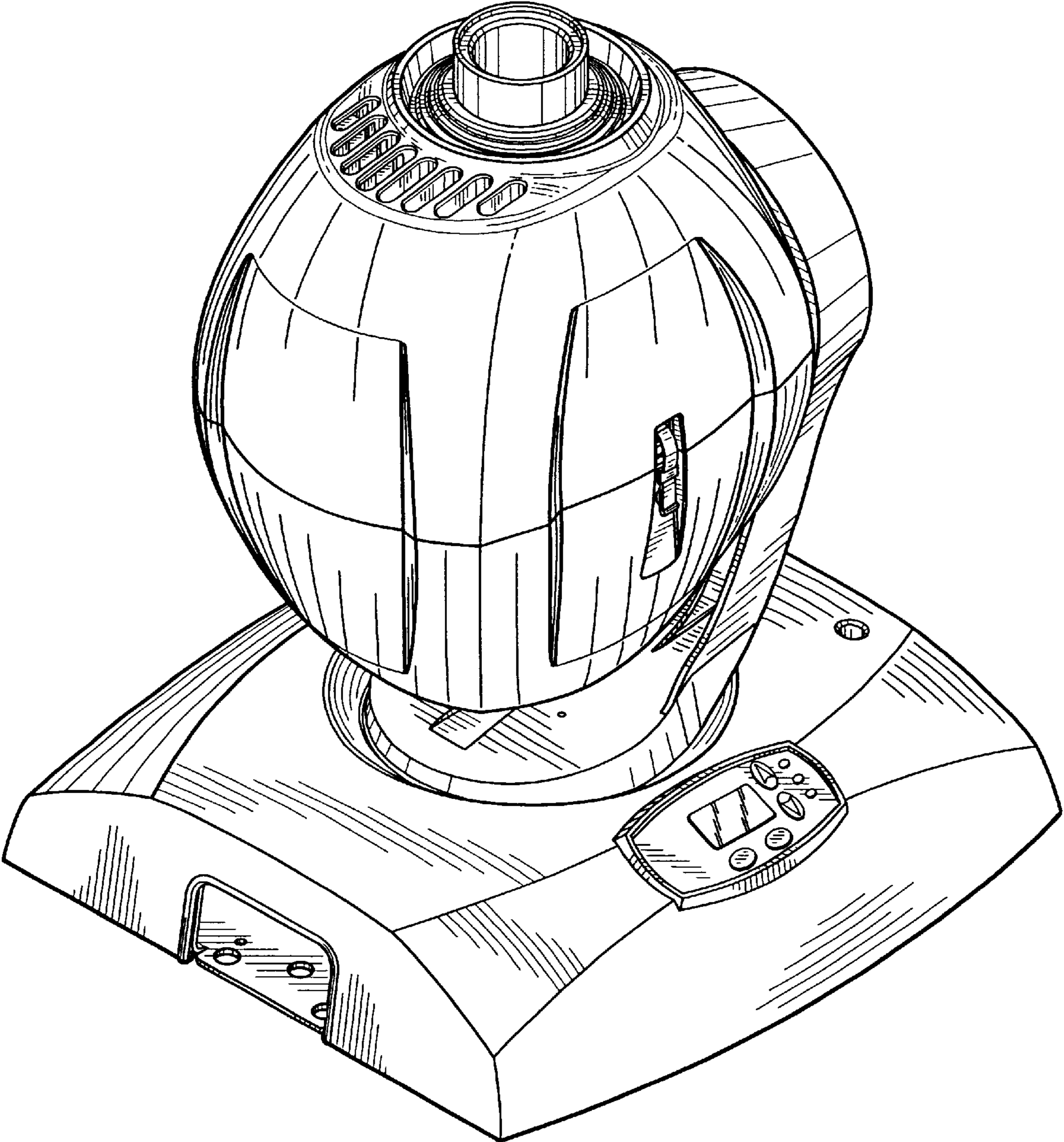


Fig. 6