

US00D492435S1

(12) **United States Design Patent**  
**Graves et al.**

(10) **Patent No.: US D492,435 S**  
(45) **Date of Patent: \*\* Jun. 29, 2004**

(54) **PORTION OF A LIGHT AND MOTION  
DETECTOR ASSEMBLY**

D369,225 S \* 4/1996 Sandell ..... D26/51  
D424,727 S \* 5/2000 Greubel ..... D26/51

(75) Inventors: **Brian Graves**, San Diego, CA (US);  
**Poho Shyu**, San Diego, CA (US)

\* cited by examiner

*Primary Examiner*—Marcus A. Jackson

(73) Assignee: **Beme International, LLC**, San Diego,  
CA (US)

(57) **CLAIM**

(\*\*) Term: **14 Years**

The ornamental design for a portion of a light and motion detector assembly, as shown and described.

(21) Appl. No.: **29/179,006**

**DESCRIPTION**

(22) Filed: **Apr. 3, 2003**

(51) **LOC (7) Cl.** ..... **26-05**

(52) **U.S. Cl.** ..... **D26/51**

(58) **Field of Search** ..... D26/51, 61-65;  
362/267, 269, 275, 287, 418, 419, 427;  
D10/104-121

FIG. 1 is a perspective view of a portion of a light and motion detector assembly showing our design shown, with the broken line showing for illustrative purposes only and forming no part of the claimed design;

FIG. 2 is a front elevation view thereof shown in FIG. 1;

FIG. 3 is a back elevation view thereof shown in FIG. 1;

FIG. 4 is a left side elevation view thereof shown in FIG. 1; and,

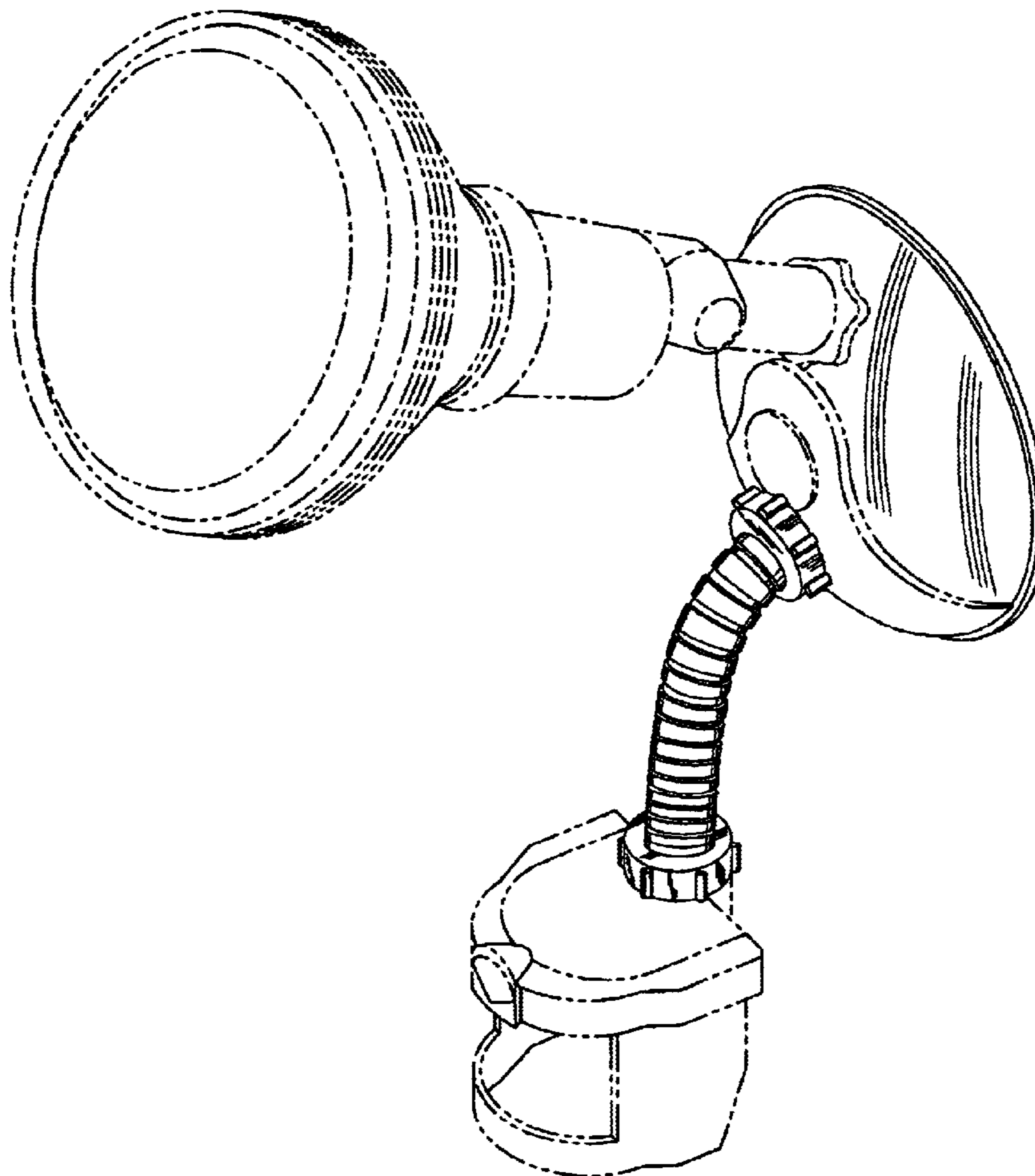
FIG. 5 is a right side elevation view thereof shown in FIG. 1.

(56) **References Cited**

**U.S. PATENT DOCUMENTS**

D338,845 S \* 8/1993 Rohrs ..... D26/51

**1 Claim, 3 Drawing Sheets**



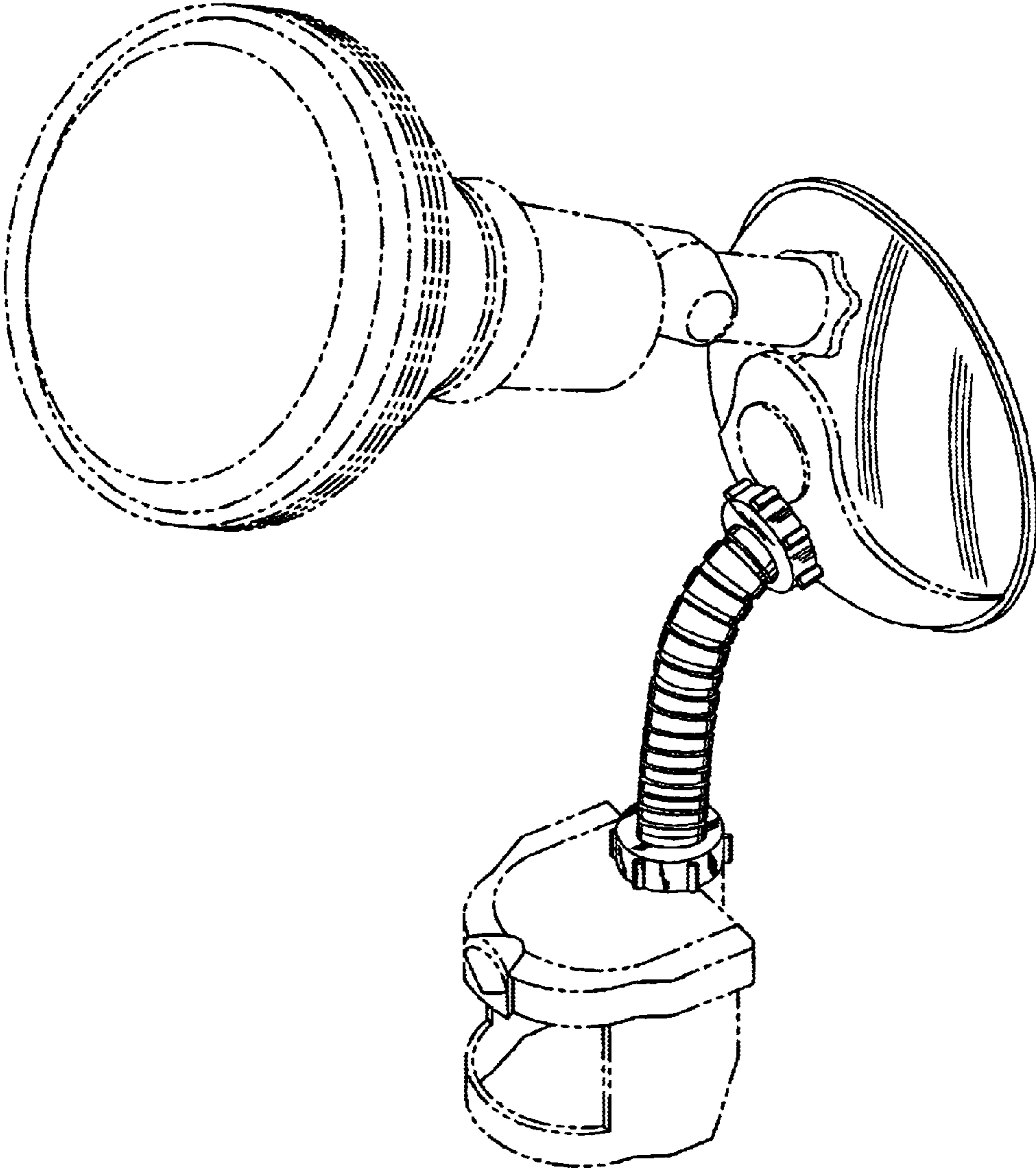


Fig-1

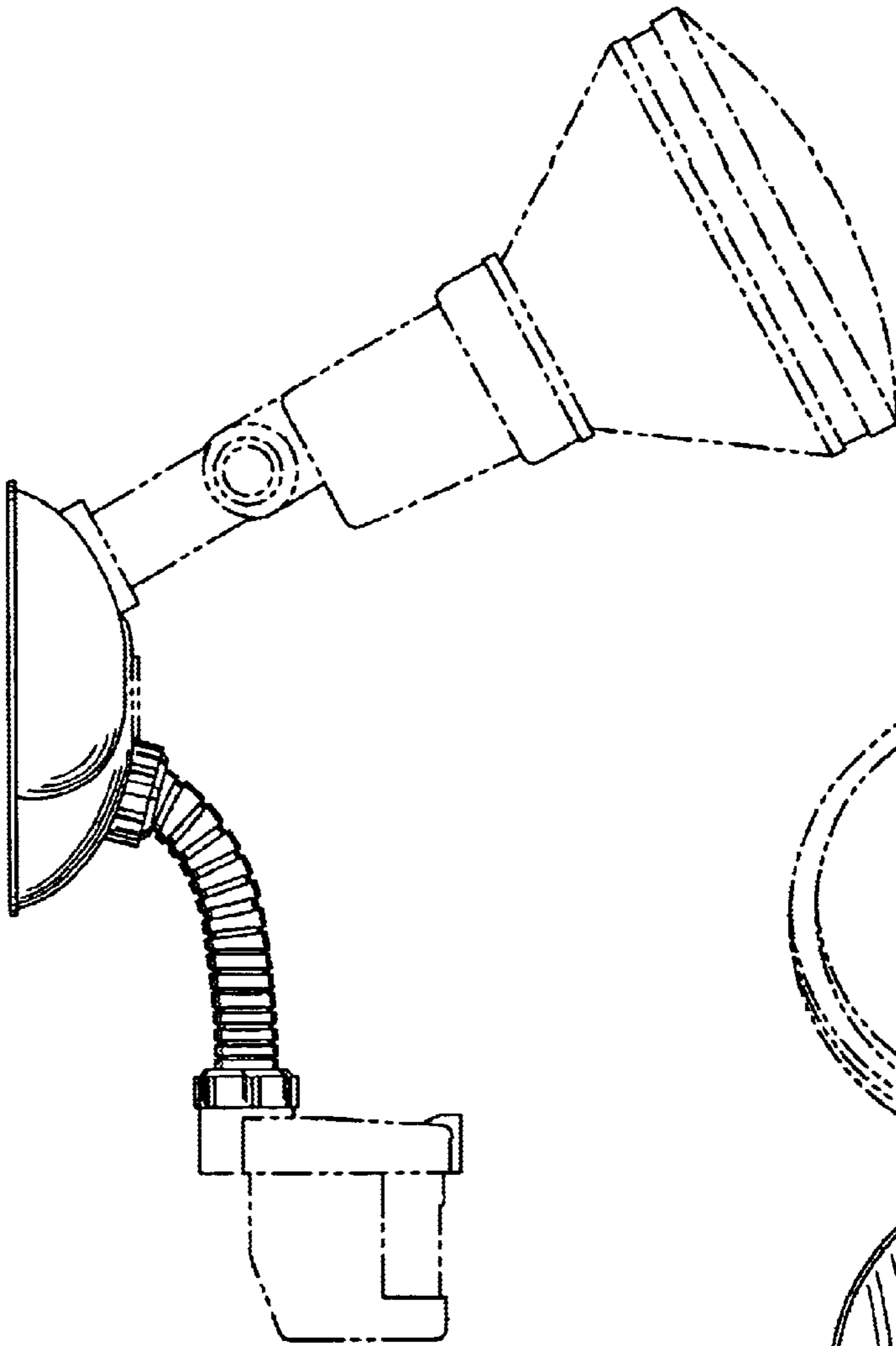


Fig-2

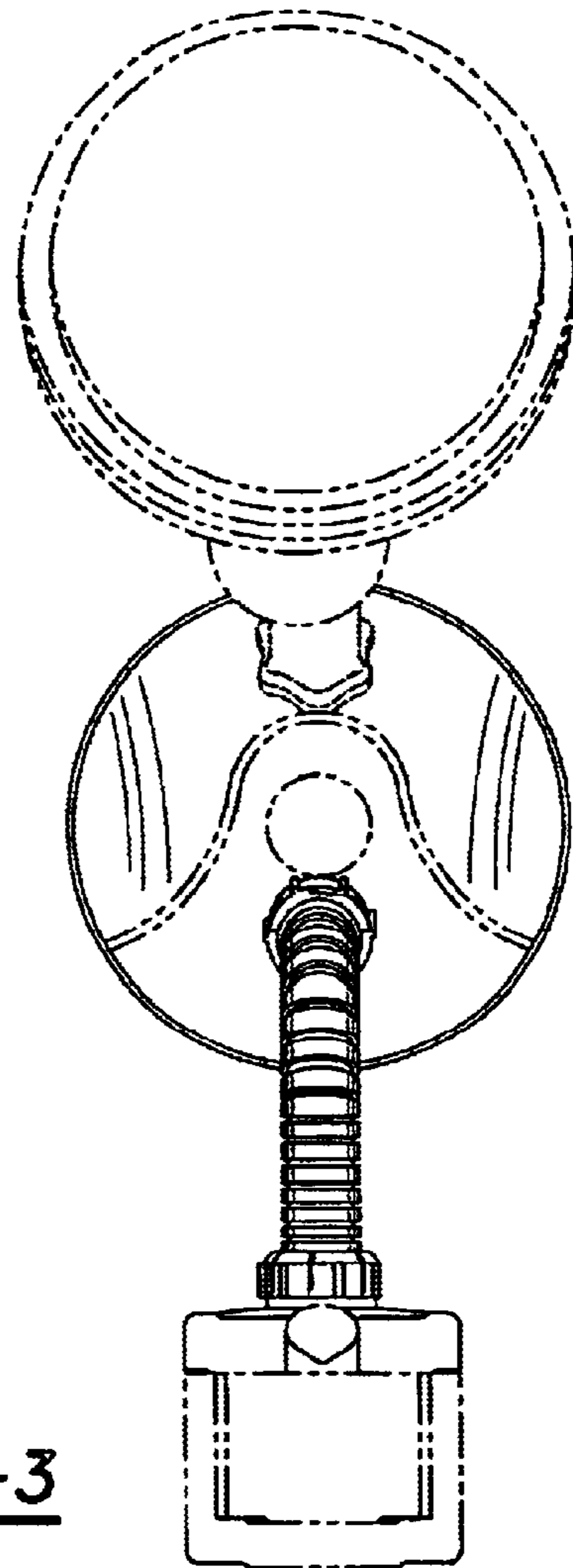


Fig-3

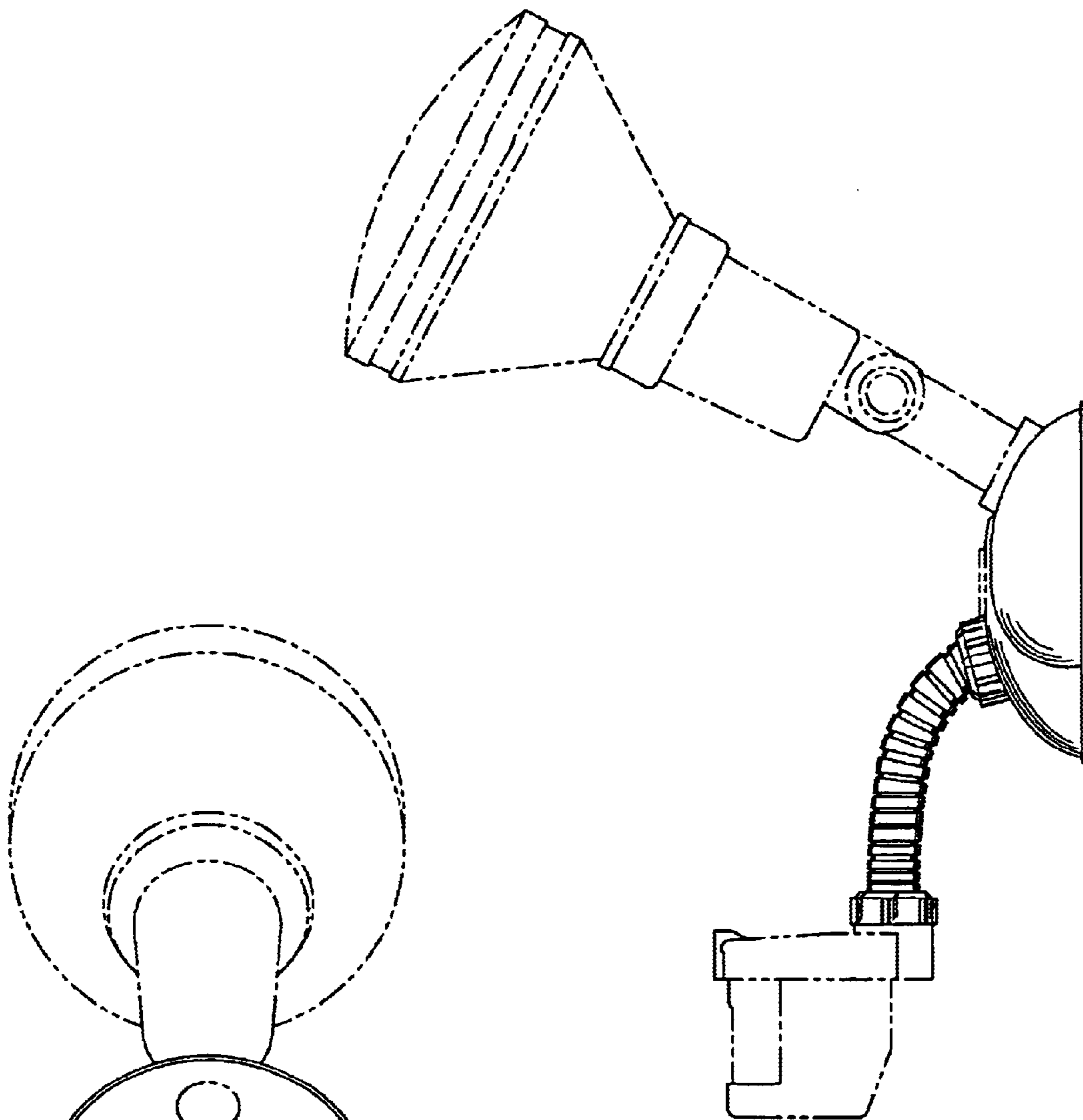


Fig-4

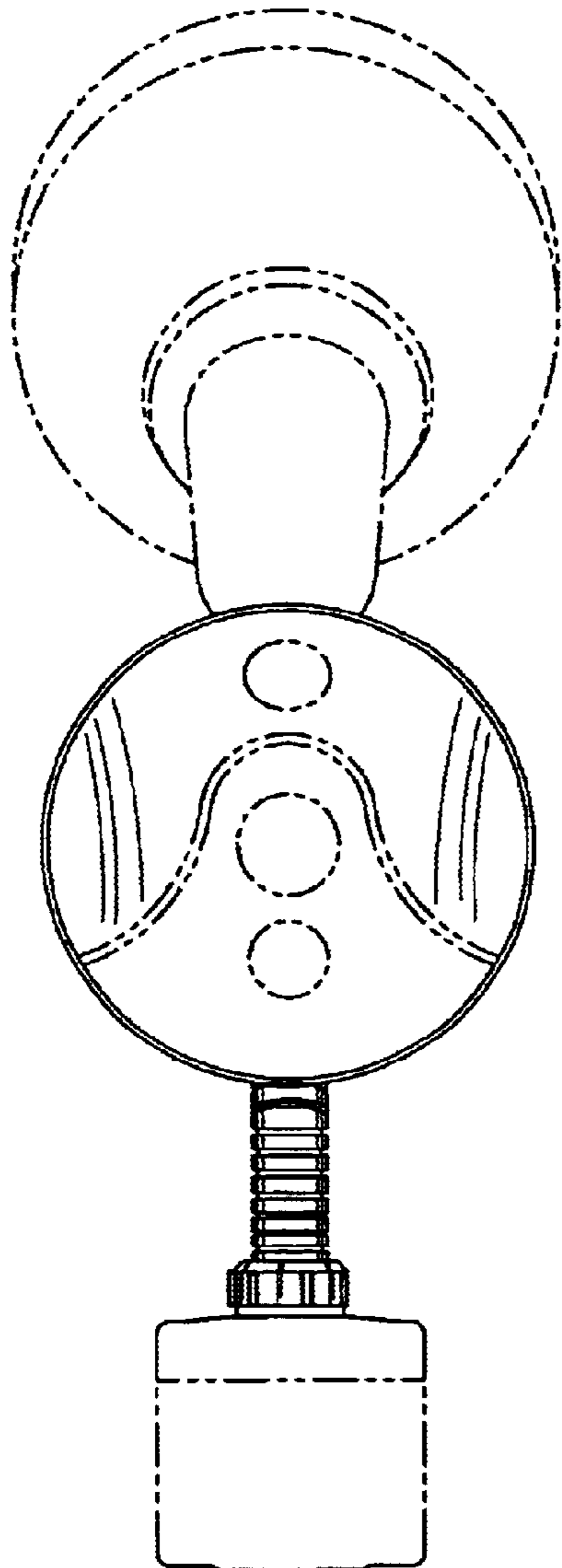


Fig-5