

US00D492434S1

(12) **United States Design Patent**  
**Yuen**

(10) **Patent No.:** **US D492,434 S**  
(45) **Date of Patent:** **\*\* Jun. 29, 2004**

(54) **DOUBLE HEADER RECHARGEABLE HALOGEN LANTERN**

(75) Inventor: **John Se Kit Yuen**, Kowloon (CN)

(73) Assignee: **John Manufacturing Limited**, Hong Kong (CN)

(\*\*) Term: **14 Years**

(21) Appl. No.: **29/183,630**

(22) Filed: **Jun. 13, 2003**

(51) **LOC (7) Cl.** ..... **26-02**

(52) **U.S. Cl.** ..... **D26/41**

(58) **Field of Search** ..... D26/37-50; 362/157, 362/158, 171-173, 183-208

(56) **References Cited**

**U.S. PATENT DOCUMENTS**

D432,690 S \* 10/2000 Yuen ..... D26/41  
D481,815 S \* 11/2003 Krieger et al. .... D26/45

\* cited by examiner

*Primary Examiner*—Marcus A. Jackson

(74) *Attorney, Agent, or Firm*—Alix, Yale & Ristas, LLP

(57) **CLAIM**

The ornamental design for a double header rechargeable halogen lantern, as shown and described.

**DESCRIPTION**

FIG. 1 is a front view of the double header rechargeable halogen lantern showing my new design;

FIG. 2 is a rear view of the double header rechargeable halogen lantern of FIG. 1;

FIG. 3 is a right side view of the double header rechargeable halogen lantern of FIG. 1;

FIG. 4 is a left side view of the double header rechargeable halogen lantern of FIG. 1;

FIG. 5 is a top plan view of the double header rechargeable halogen lantern of FIG. 1;

FIG. 6 is a bottom plan view of the double header rechargeable halogen lantern of FIG. 1;

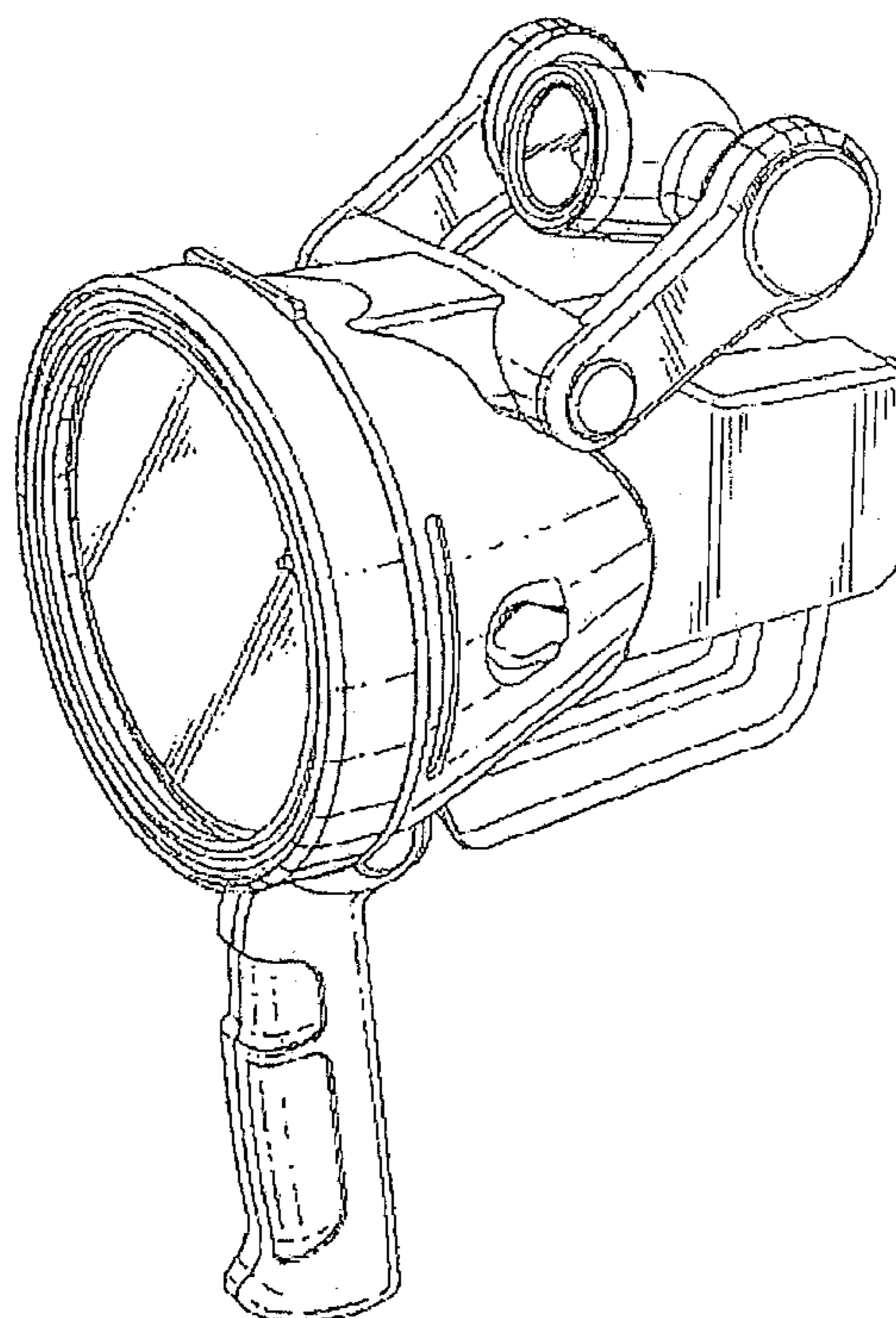
FIG. 7 is a perspective view generally from the front and above of the double header rechargeable halogen lantern of FIG. 1;

FIG. 8 is a perspective view generally from the rear and below of the double header rechargeable halogen lantern of FIG. 1;

FIG. 9 is a perspective view generally from the front and below of the double header rechargeable halogen lantern of FIG. 1 with a stand and its light in an alternative position; and,

FIG. 10 is a perspective view generally from the front and below of the double header rechargeable halogen lantern of FIG. 1 with a handle in an alternative position and a stand and its light in an alternative position.

**1 Claim, 10 Drawing Sheets**



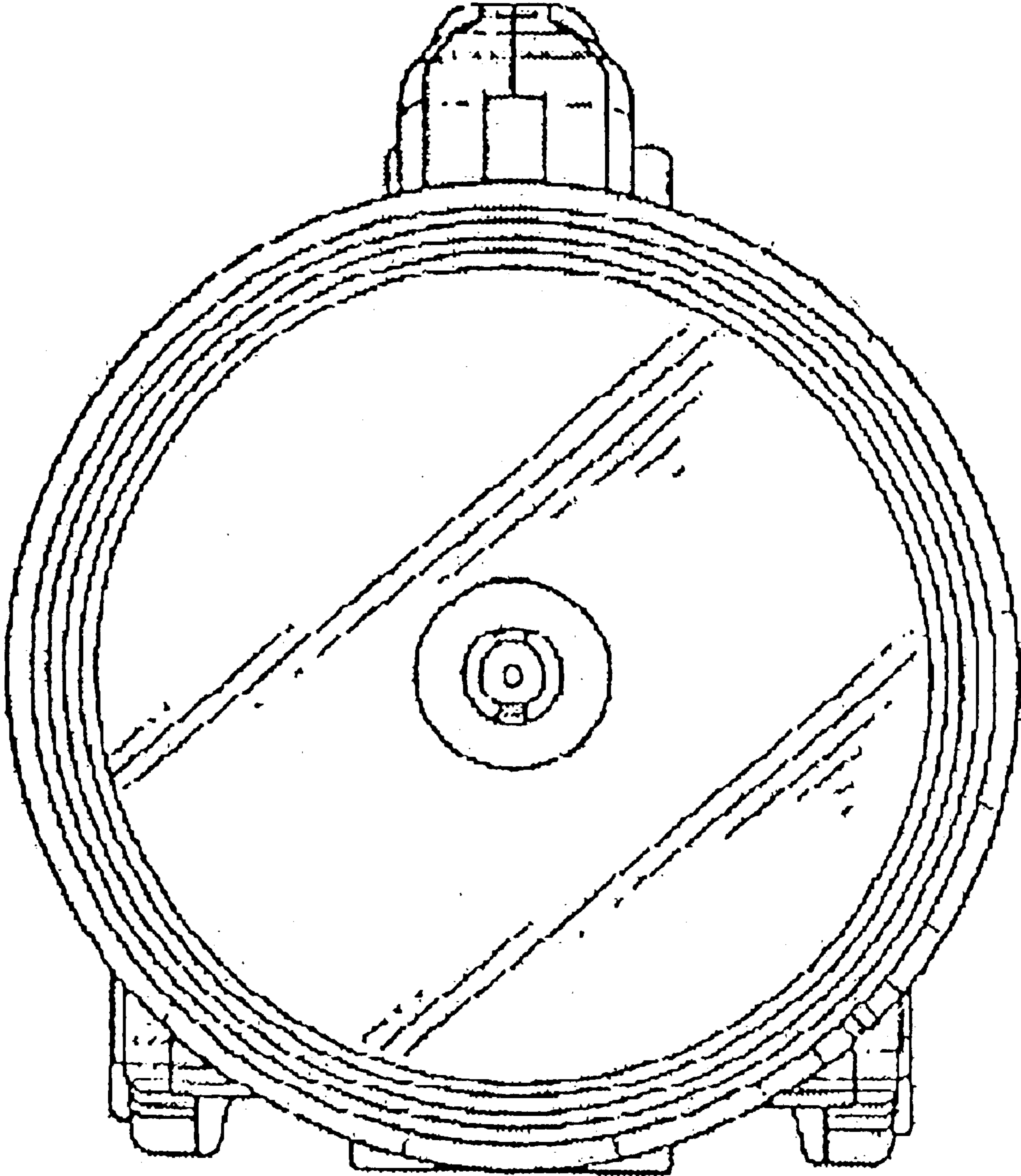


Figure 1

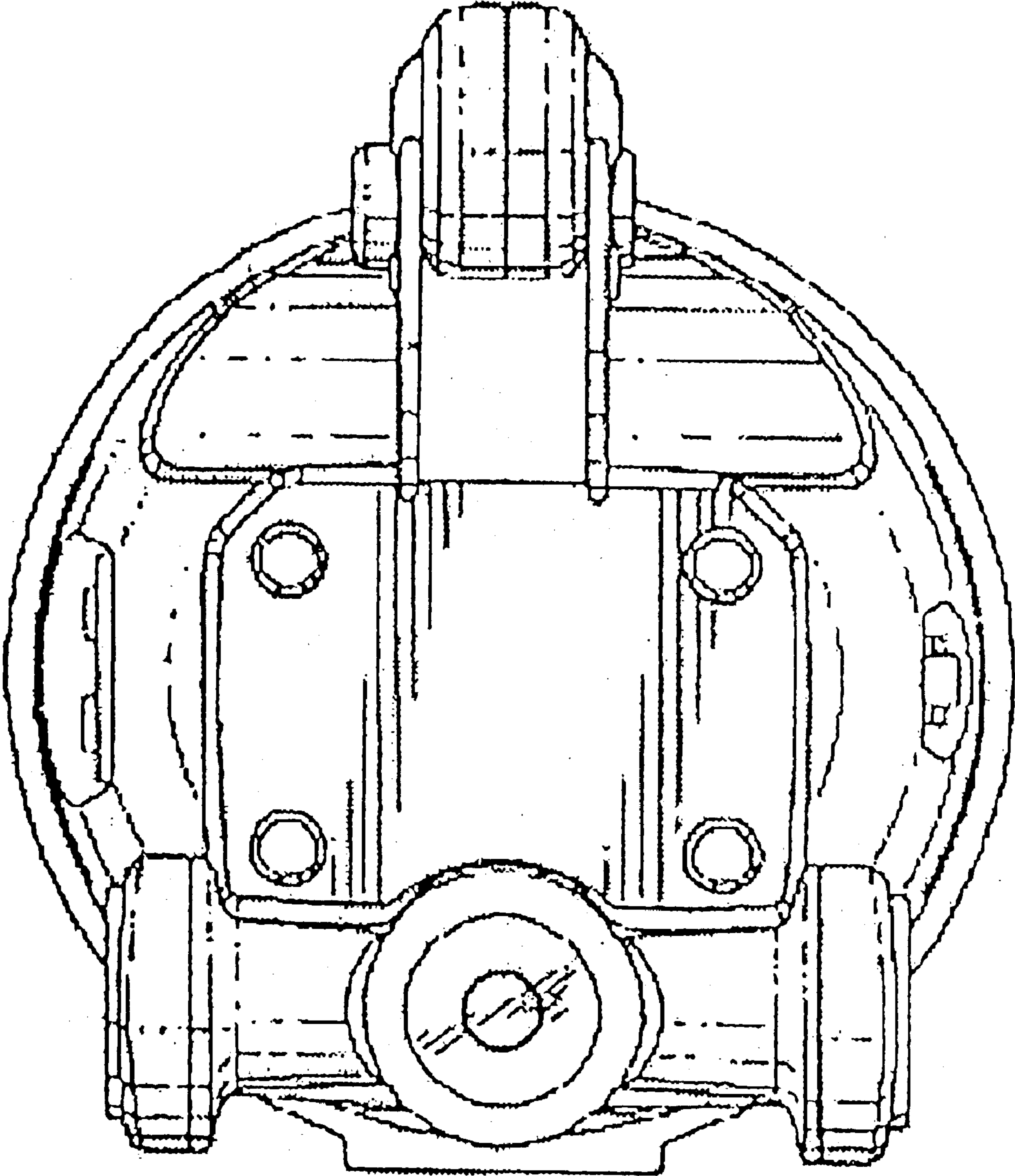


Figure 2

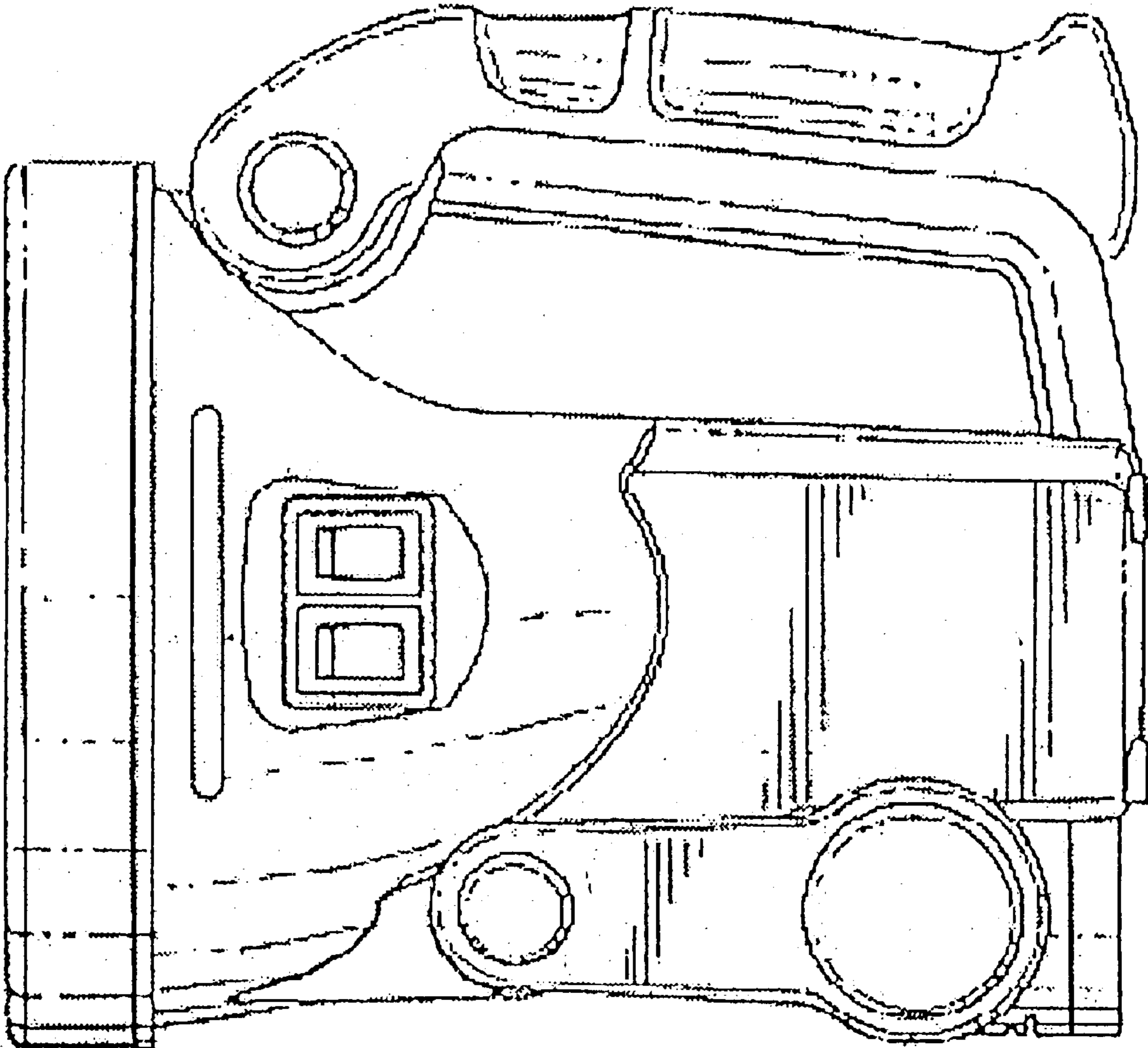


Figure 3

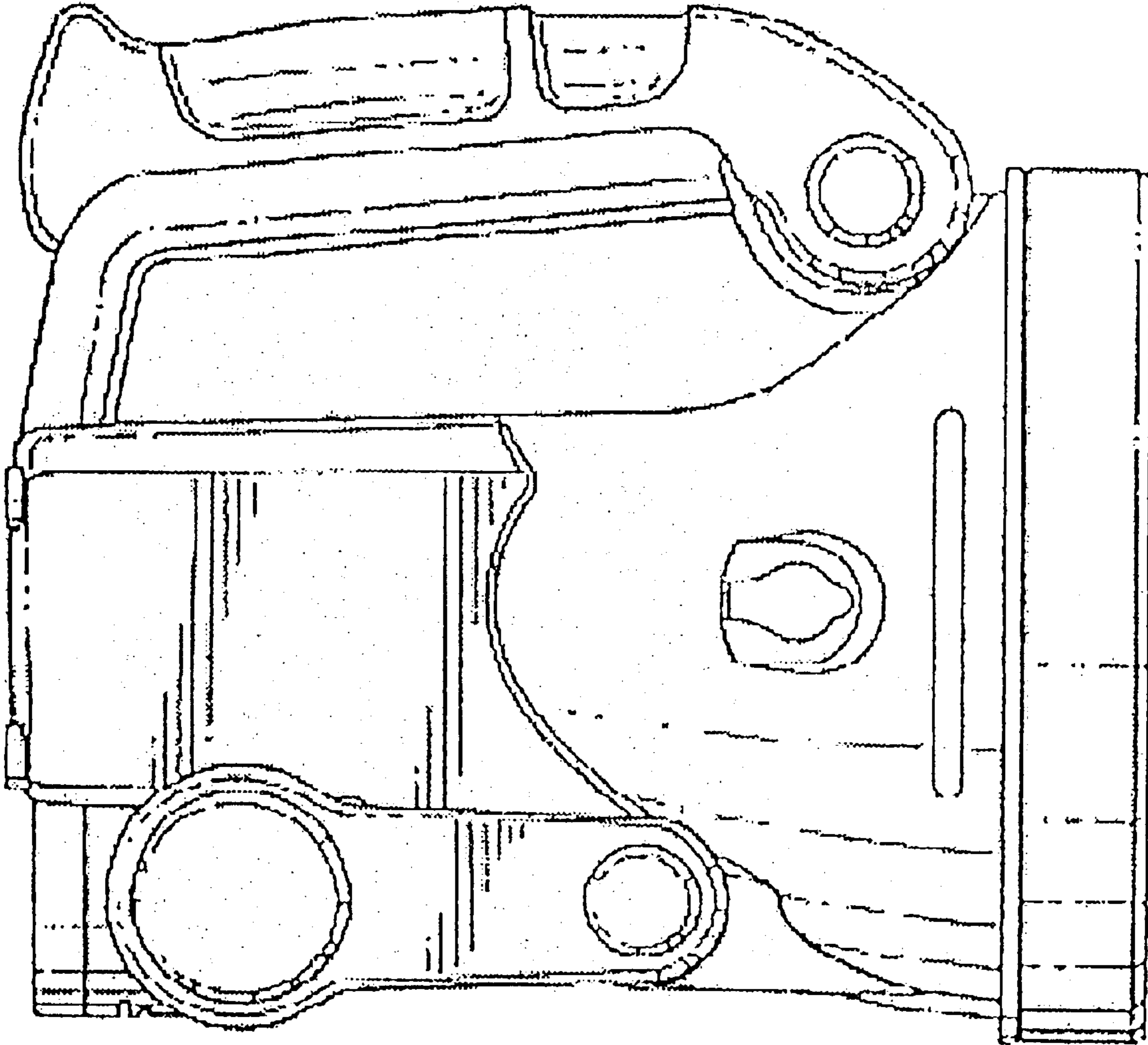


Figure 4

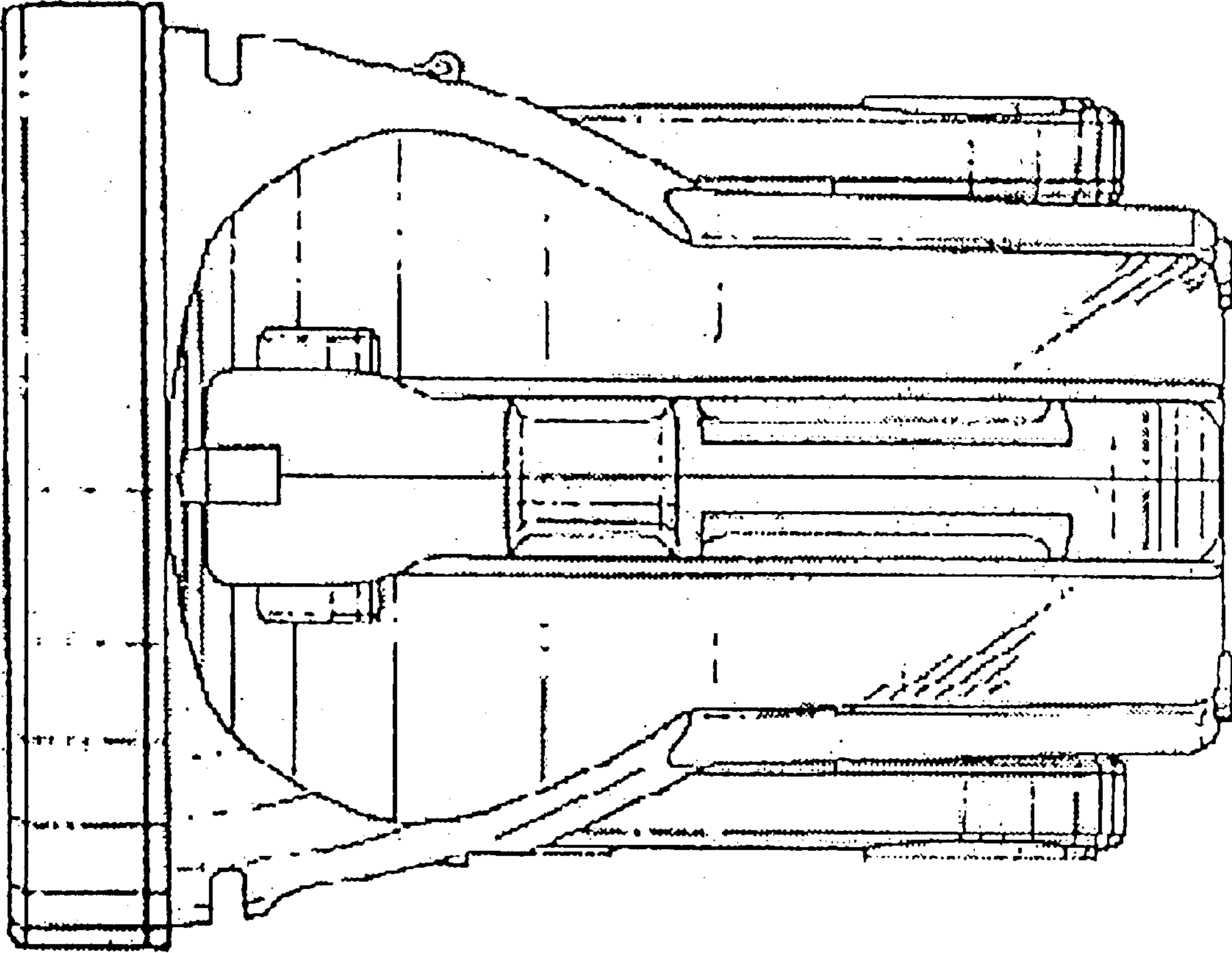


Figure 5

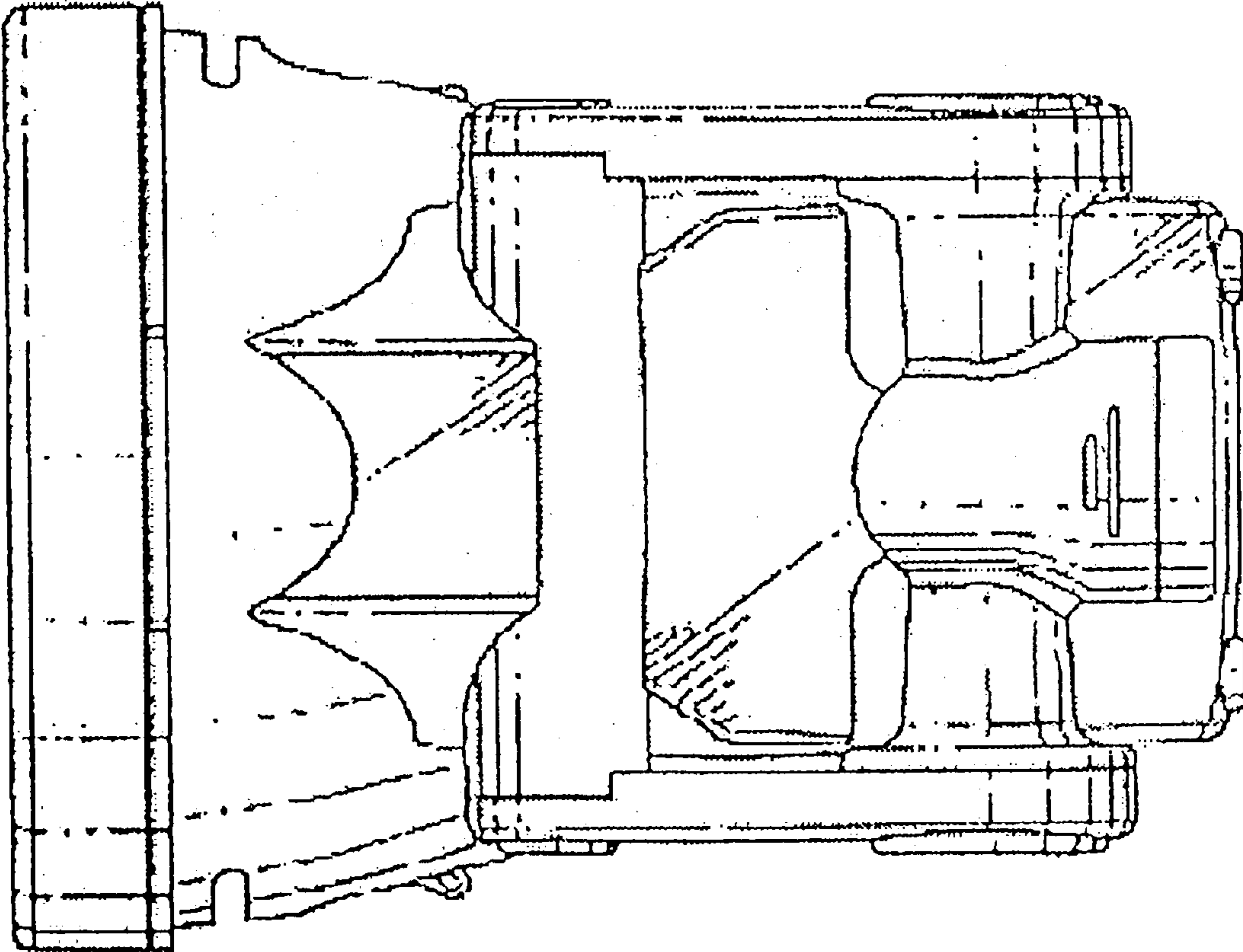


Figure 6

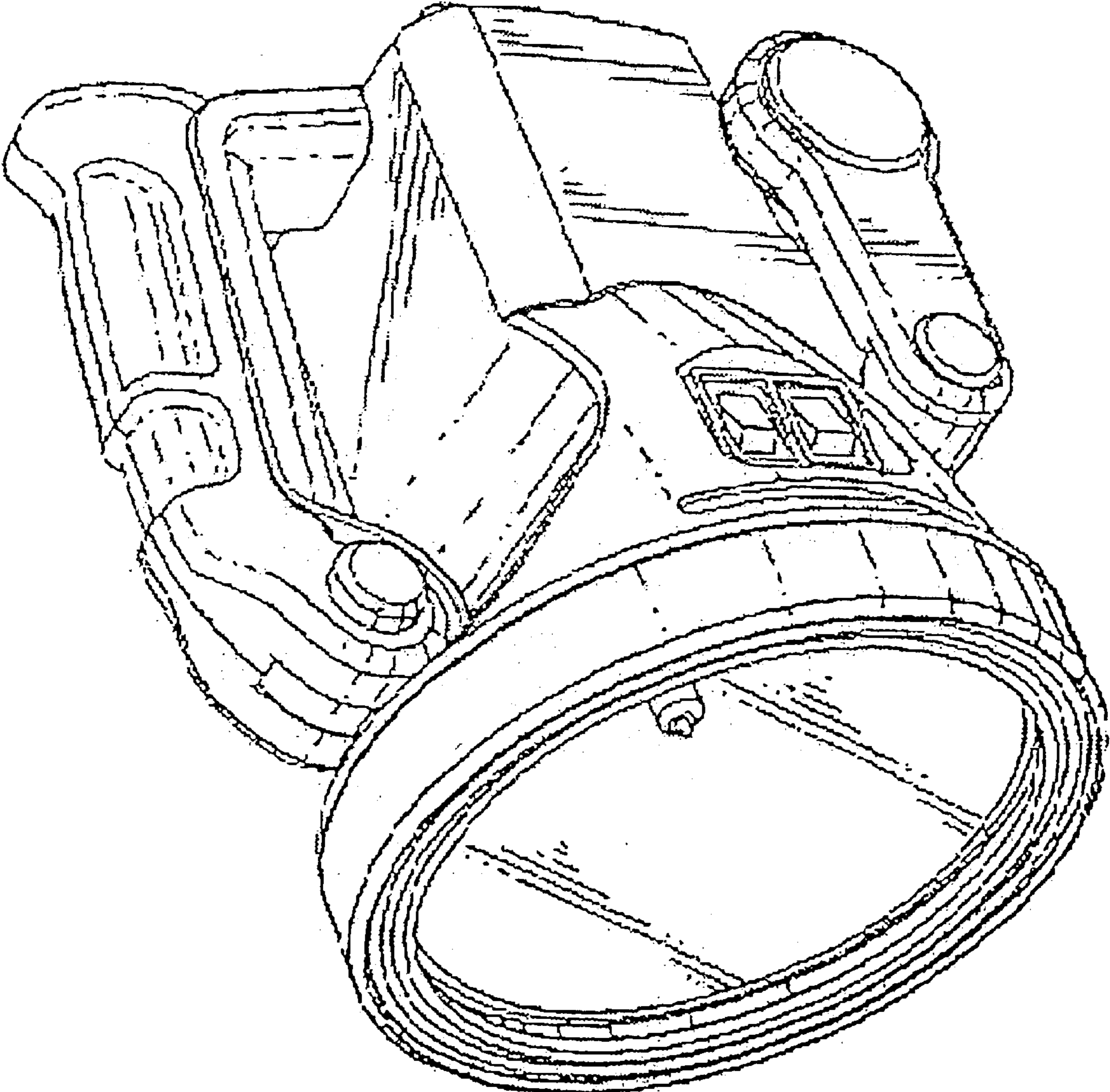


Figure 7



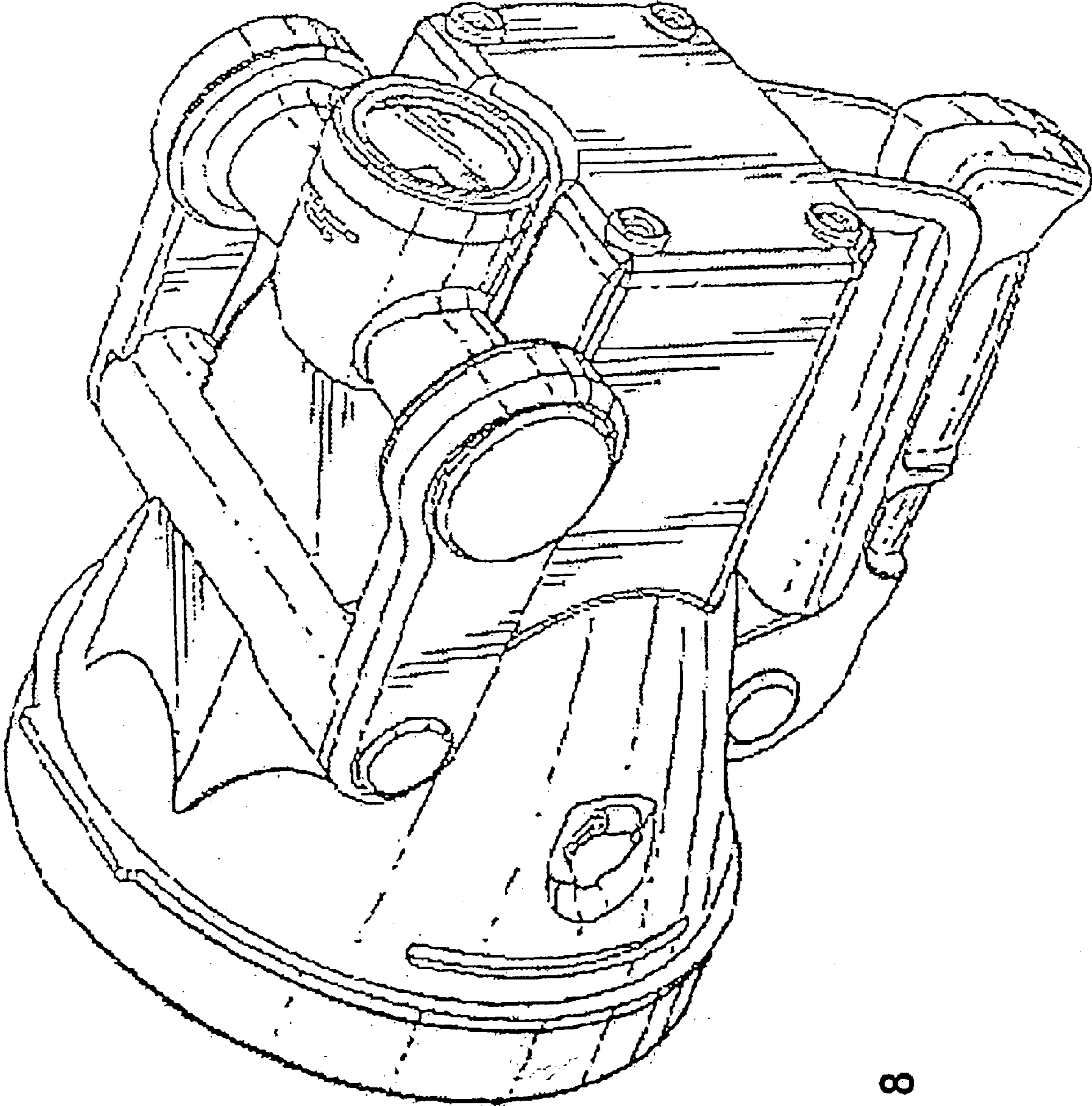
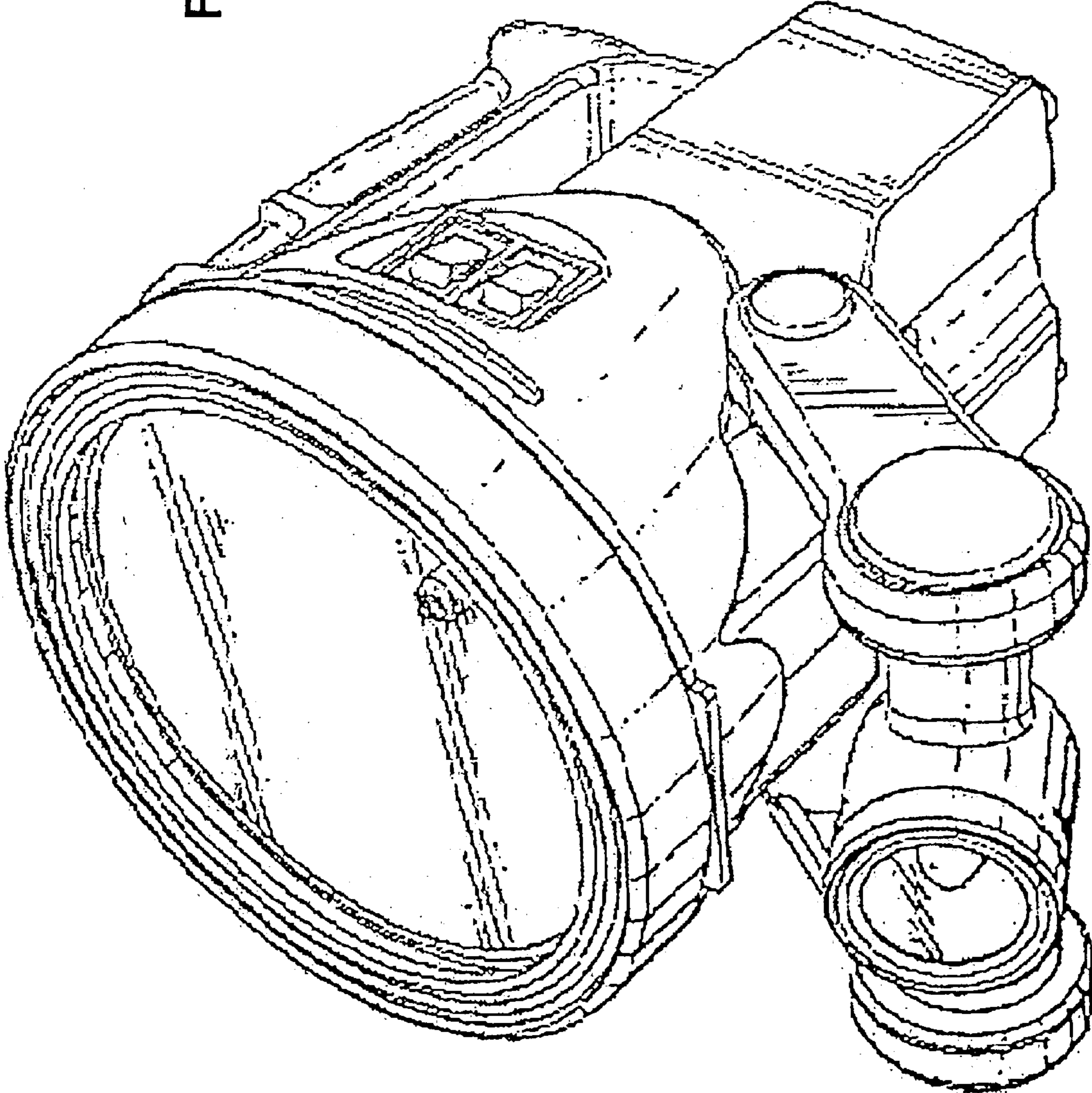


Figure 8

Figure 9



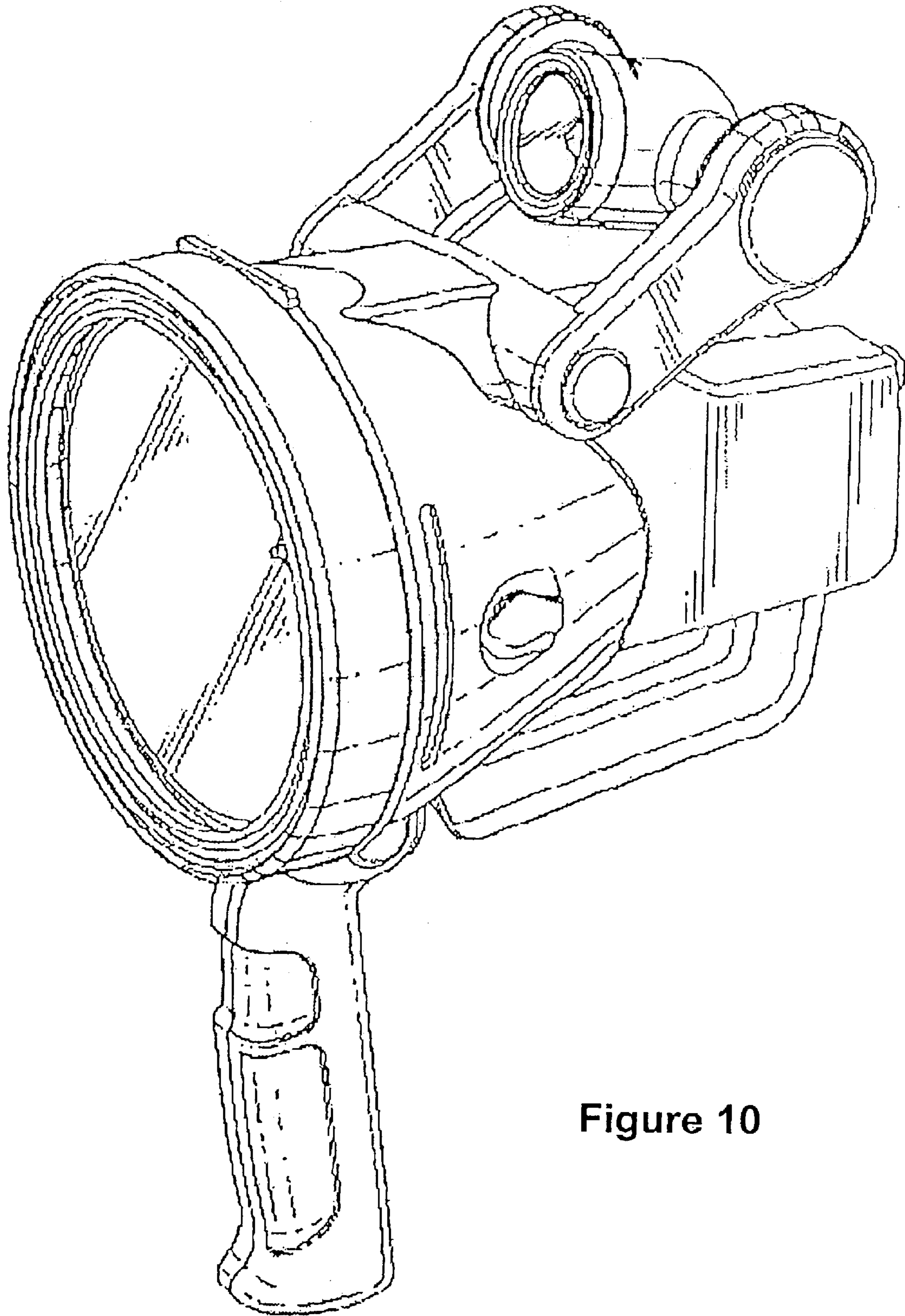


Figure 10

UNITED STATES PATENT AND TRADEMARK OFFICE  
**CERTIFICATE OF CORRECTION**

PATENT NO. : Des. 492,434 S  
DATED : June 29, 2004  
INVENTOR(S) : Yuen

Page 1 of 1

It is certified that error appears in the above-identified patent and that said Letters Patent is hereby corrected as shown below:


Title page,  
Insert Item:

-- [30]            **Foreign Application Priority Data**

Dec. 13, 2002            (UK) ..... 3009460 --

Signed and Sealed this

Twenty-third Day of November, 2004

A handwritten signature in black ink on a light gray dotted background. The signature reads "Jon W. Dudas" in a cursive style.

JON W. DUDAS

*Director of the United States Patent and Trademark Office*