

US00D492433S1

(12) **United States Design Patent**  
**Leen**

(10) **Patent No.:** **US D492,433 S**  
(45) **Date of Patent:** **\*\* Jun. 29, 2004**

(54) **WORKLIGHT WITH OCTAGONAL BASE**

D471,661 S \* 3/2003 Reisbord ..... D26/40

(76) **Inventor:** **Monte A. Leen**, 11730 NE. 12th St.,  
Bellevue, WA (US) 98005

\* cited by examiner

*Primary Examiner*—Marcus A. Jackson

(74) *Attorney, Agent, or Firm*—Dean A. Craine

(\*\*) **Term:** **14 Years**

(57) **CLAIM**

(21) **Appl. No.:** **29/187,950**

The ornamental design for a worklight with octagonal base,  
as shown and described.

(22) **Filed:** **Aug. 8, 2003**

(51) **LOC (7) Cl.** ..... **26-02**

**DESCRIPTION**

(52) **U.S. Cl.** ..... **D26/40**

FIG. 1 is a top plan view of a worklight with an octagonal  
base.

(58) **Field of Search** ..... D26/37-50; 362/157,

362/158, 171-173, 183-208

FIG. 2 is a bottom plan view of the invention.

FIG. 3 is a right side elevational view of the invention.

FIG. 4 is a left side elevational view of the invention.

FIG. 5 is a front elevational view of the invention; and,

FIG. 6 is a rear elevational view of the invention.

(56) **References Cited**

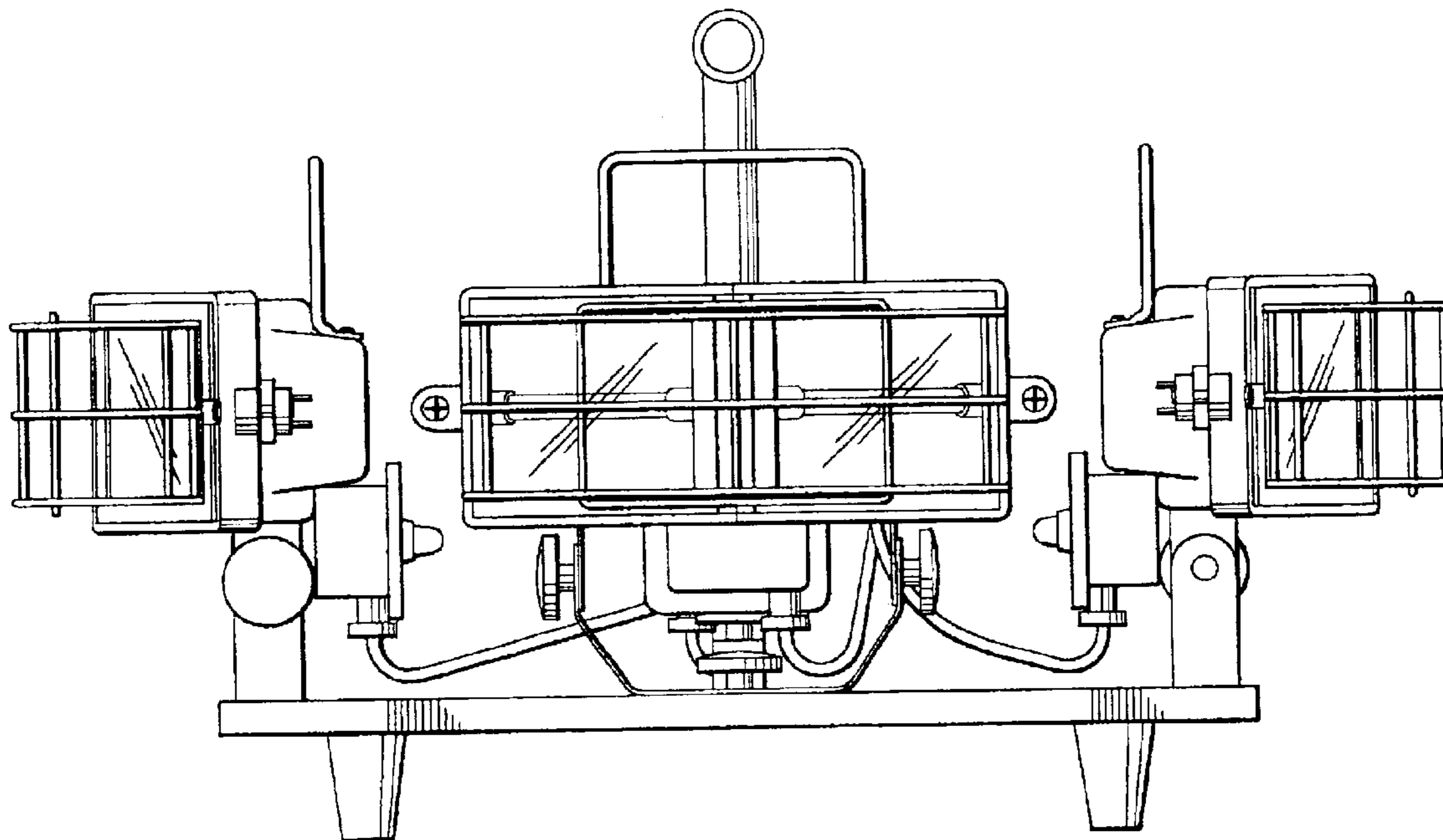
**U.S. PATENT DOCUMENTS**

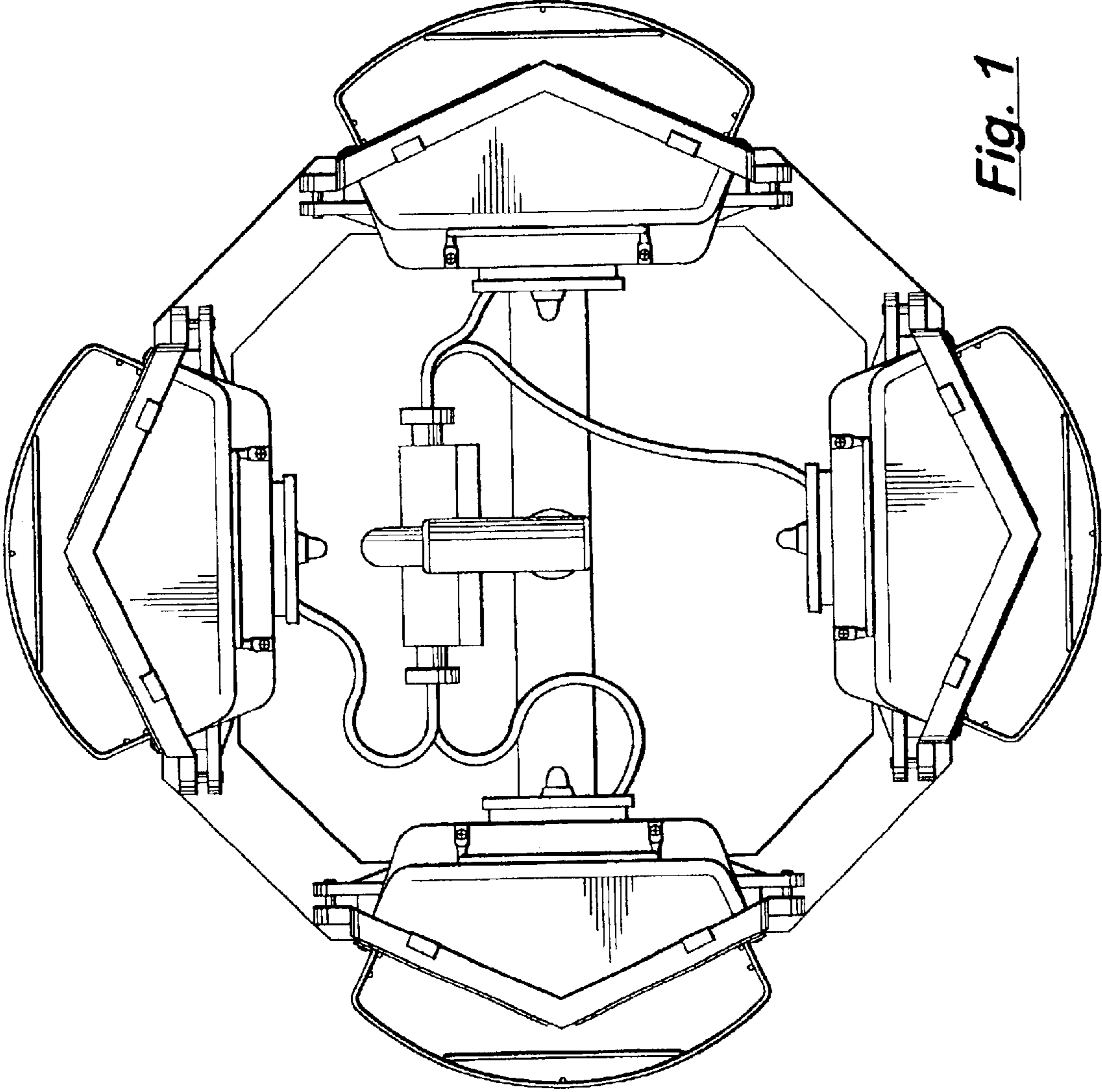
D375,377 S \* 11/1996 Leen ..... D26/119

D403,094 S \* 12/1998 Grossman et al. .... D26/119

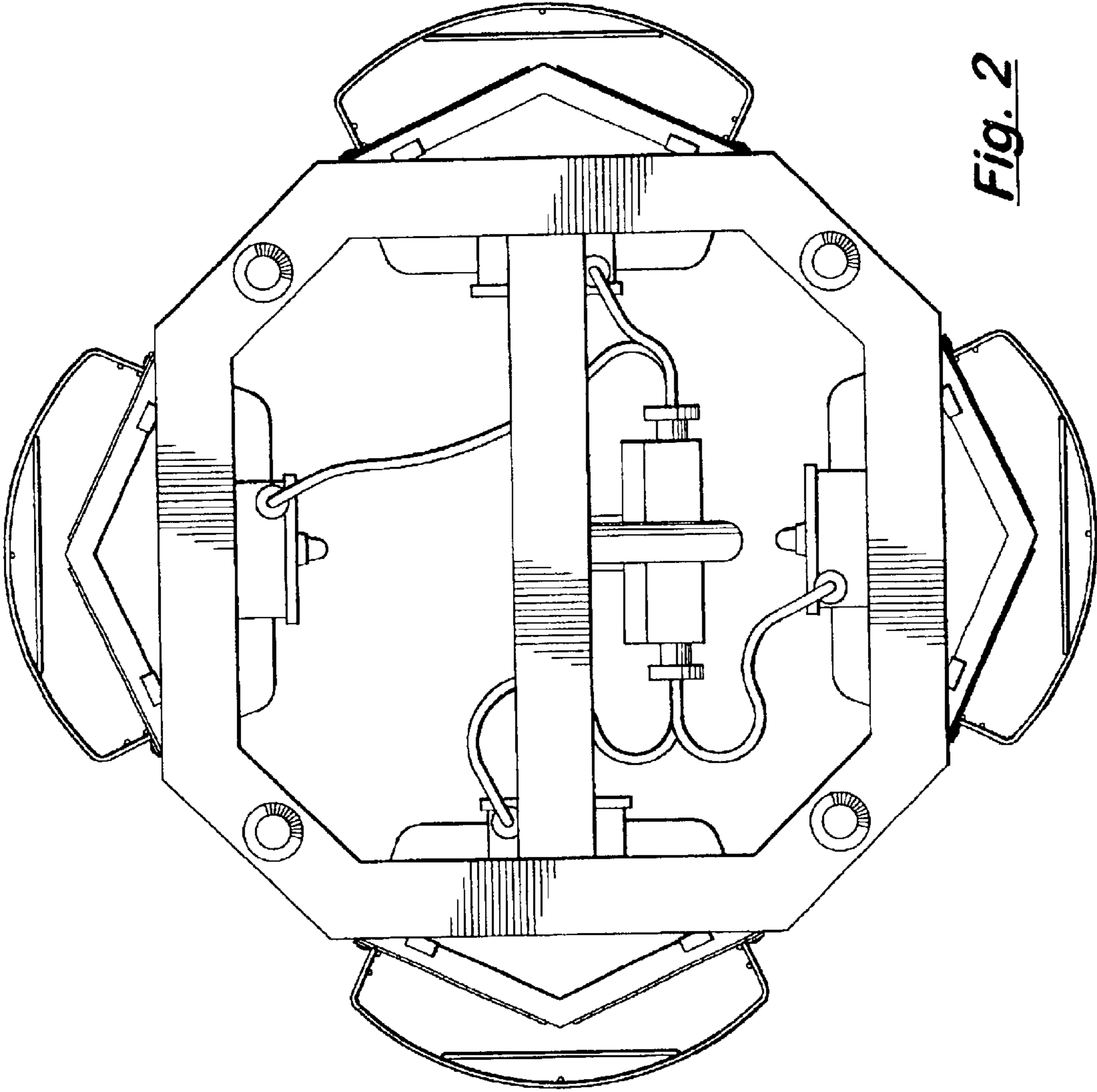
D403,455 S \* 12/1998 Duennes ..... D26/119

**1 Claim, 6 Drawing Sheets**

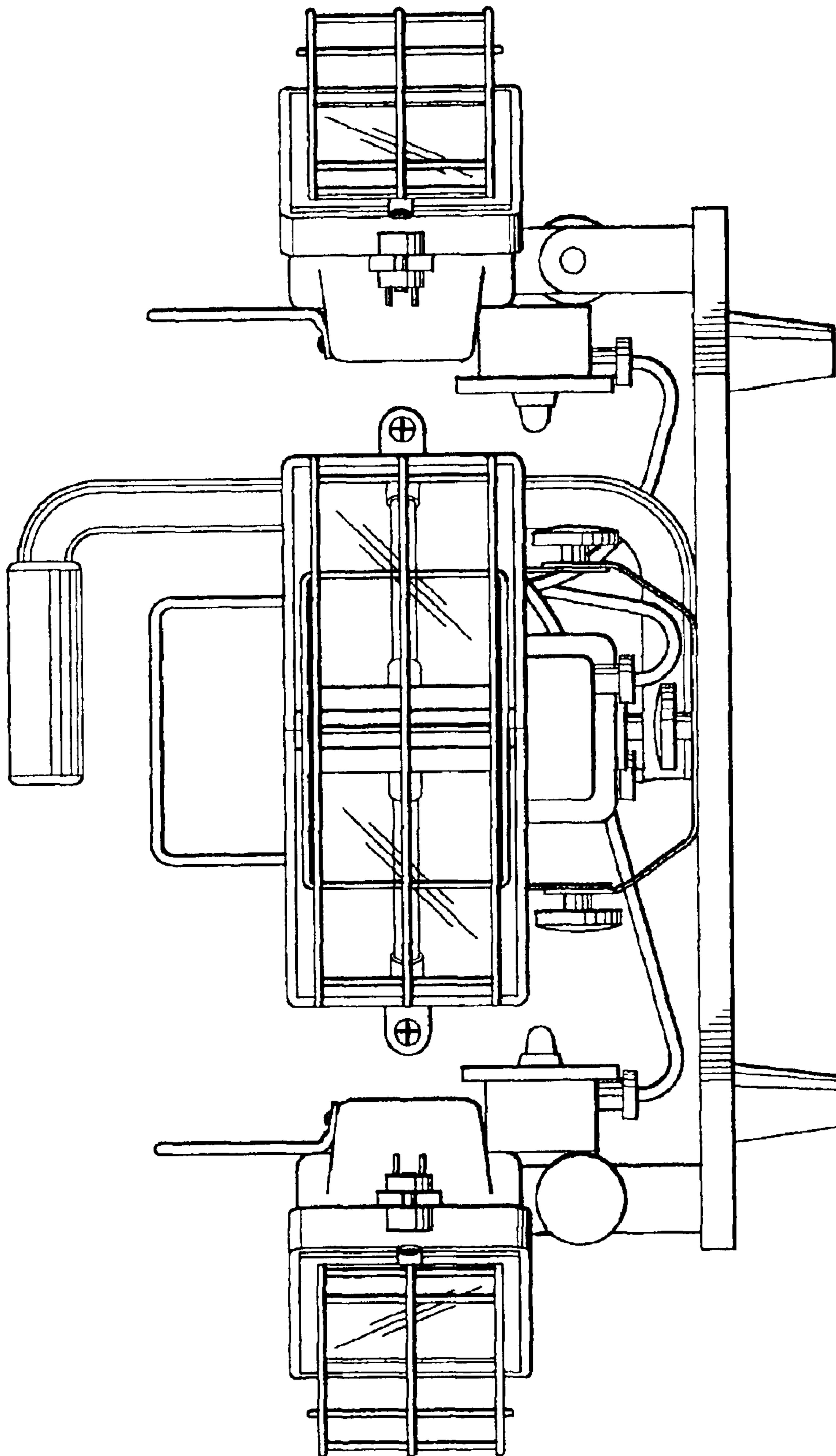




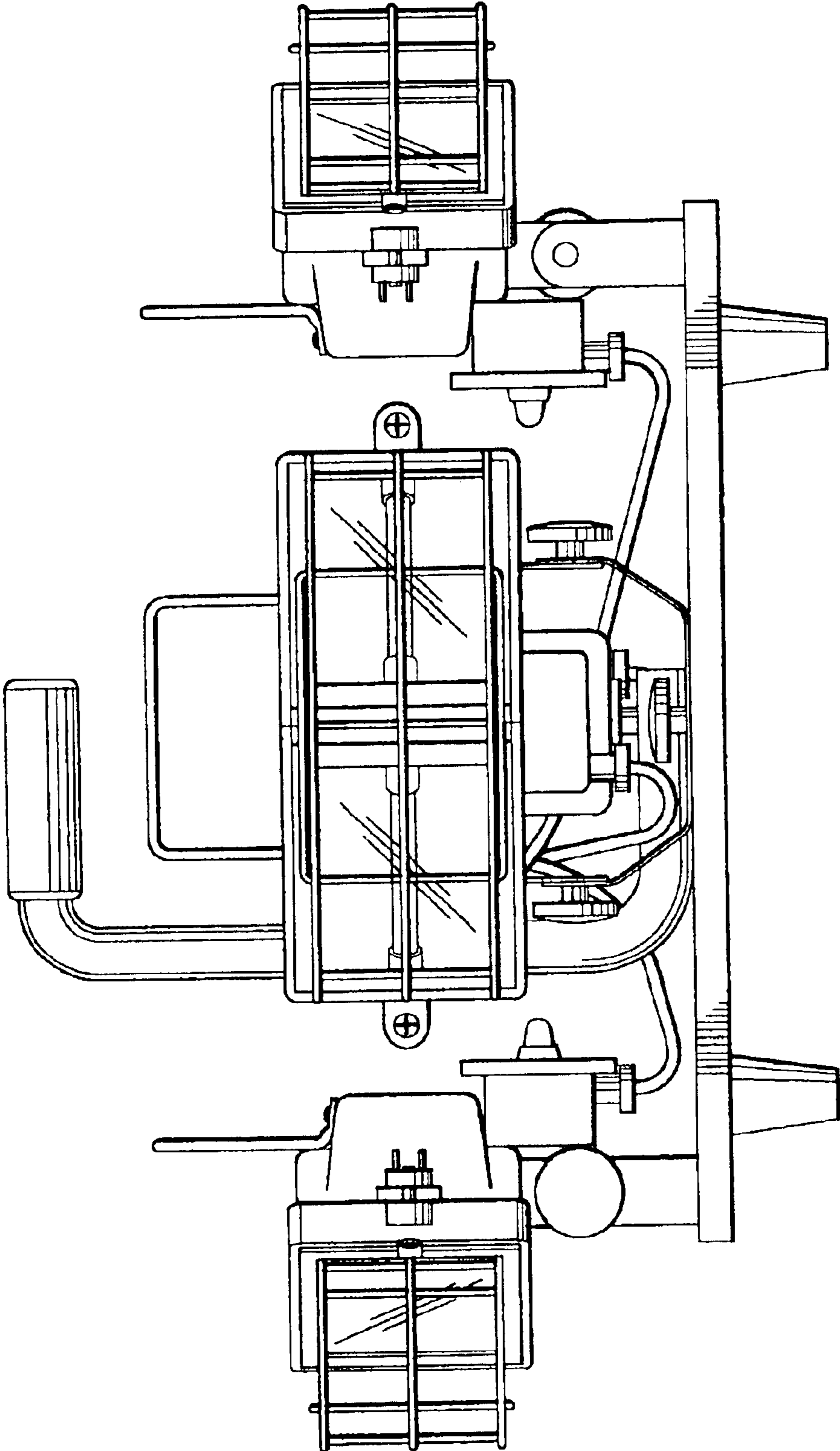
*Fig. 1*



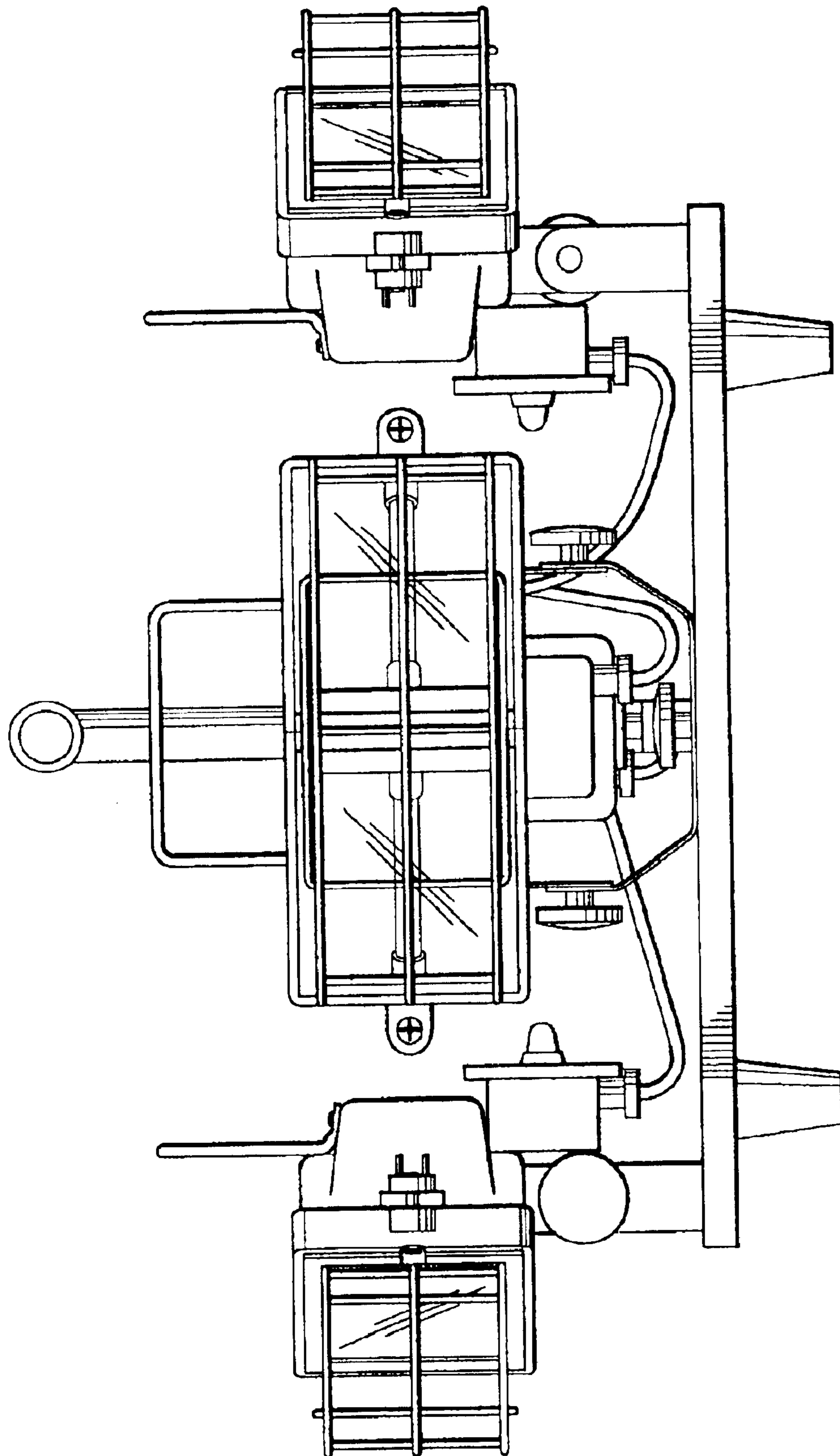
*Fig. 2*



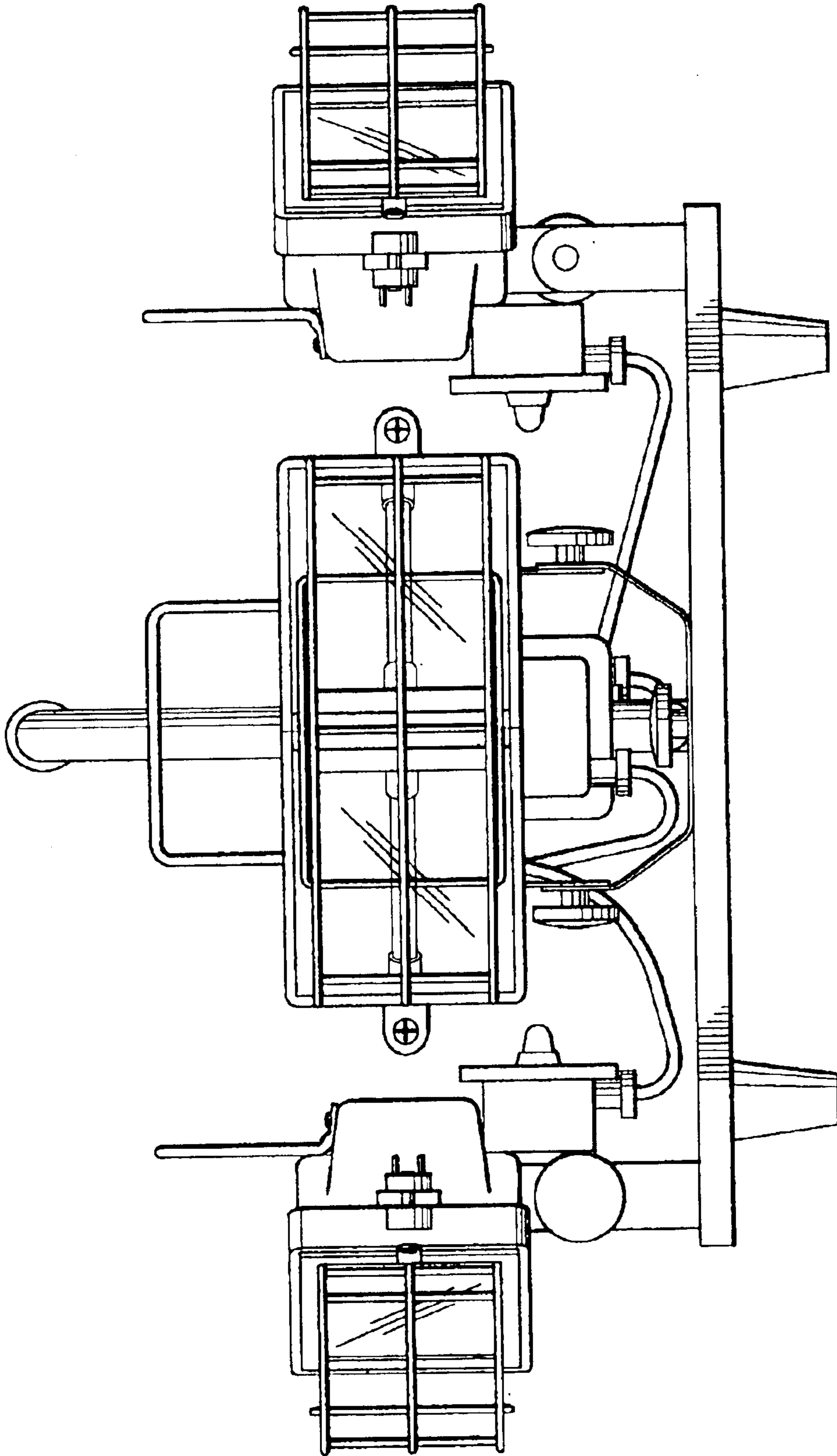
*Fig. 3*



*Fig. 4*



*Fig. 5*



*Fig. 6*