

US00D492423S1

(12) **United States Design Patent**
Ogawa et al.

(10) **Patent No.:** **US D492,423 S**
(45) **Date of Patent:** **** Jun. 29, 2004**

(54) **BLOCK FOR A FLOWERBED**

D467,668 S * 12/2002 Slagnes D25/113

(76) Inventors: **Katsumasa Ogawa**, 3-2-22, Soja,
Soja-shi, Okayama (JP); **Makiko Inoue**,
4-11-13, Isobe, Mihama-ku, Chiba-shi
(JP)

FOREIGN PATENT DOCUMENTS

DE 1094432 * 12/1960 D25/113

* cited by examiner

(**) **Term:** **14 Years**

Primary Examiner—Louis S. Zarfes

Assistant Examiner—Robert A Delehanty

(21) **Appl. No.:** **29/186,743**

(74) *Attorney, Agent, or Firm*—Flynn, Thiel, Boutell &
Tanis, P.C.

(22) **Filed:** **Jul. 22, 2003**

(57) **CLAIM**

(30) **Foreign Application Priority Data**

The ornamental design for a block for a flowerbed, as shown
and described.

Jun. 5, 2003 (JP) 2003-015879

(51) **LOC (7) Cl.** **25-01**

(52) **U.S. Cl.** **D25/113**

(58) **Field of Search** D25/112–113,
D25/116, 164; D21/484–486, 493; 405/16,
272, 284; 404/27–31, 34, 41–42; 52/574–575,
600, 604, 270, 608

DESCRIPTION

FIG. 1 is a front elevational view of a block for a flowerbed
showing our new design;

FIG. 2 is a rear elevational view thereof;

FIG. 3 is a top plan view thereof, it being symmetrical to the
bottom plan view thereof;

FIG. 4 is a right side elevational view thereof;

FIG. 5 is a left side elevational view thereof; and,

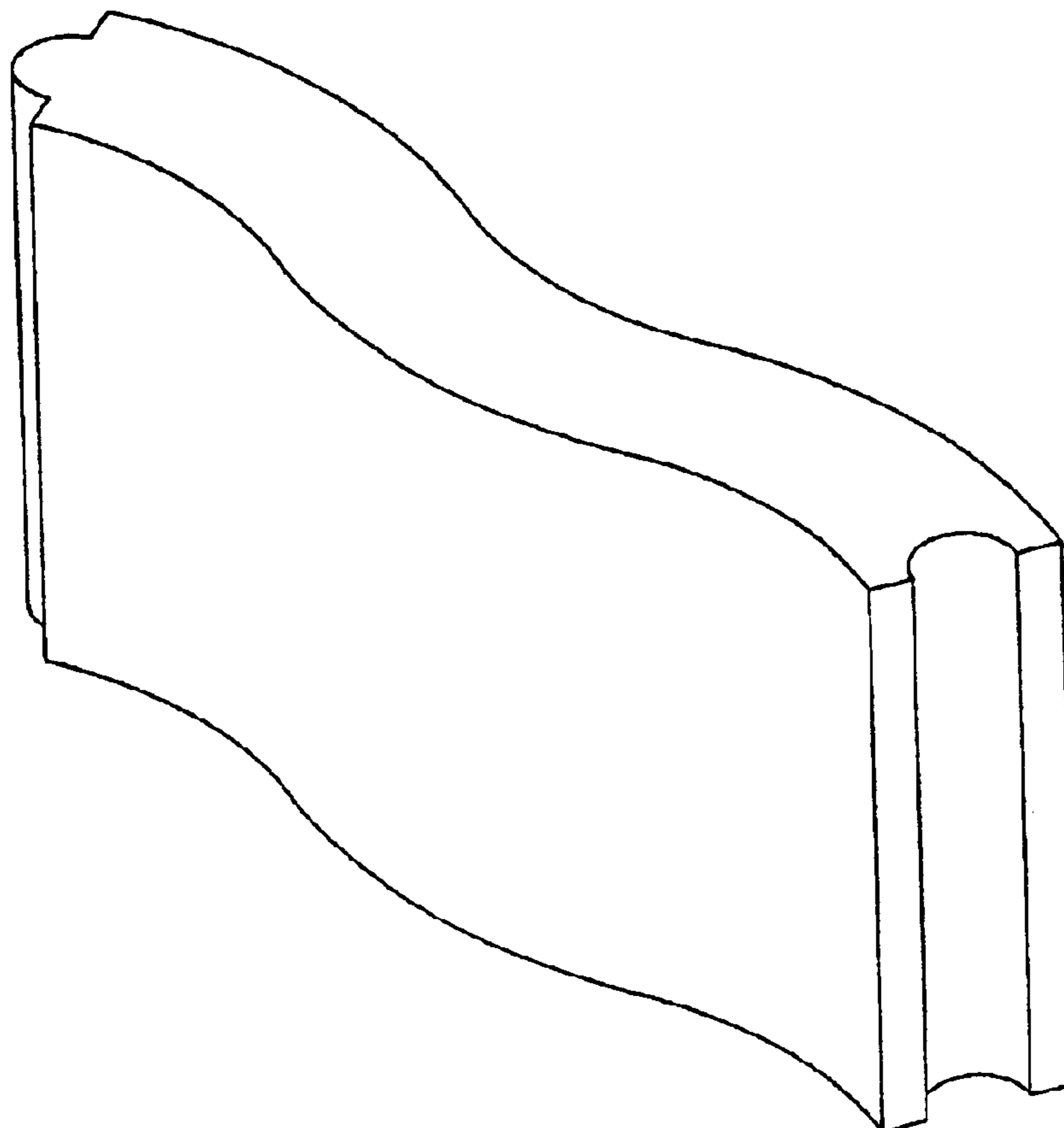
FIG. 6 is a perspective view of the block for a flowerbed.

(56) **References Cited**

U.S. PATENT DOCUMENTS

3,269,070 A * 8/1966 Stoy D25/113

1 Claim, 3 Drawing Sheets



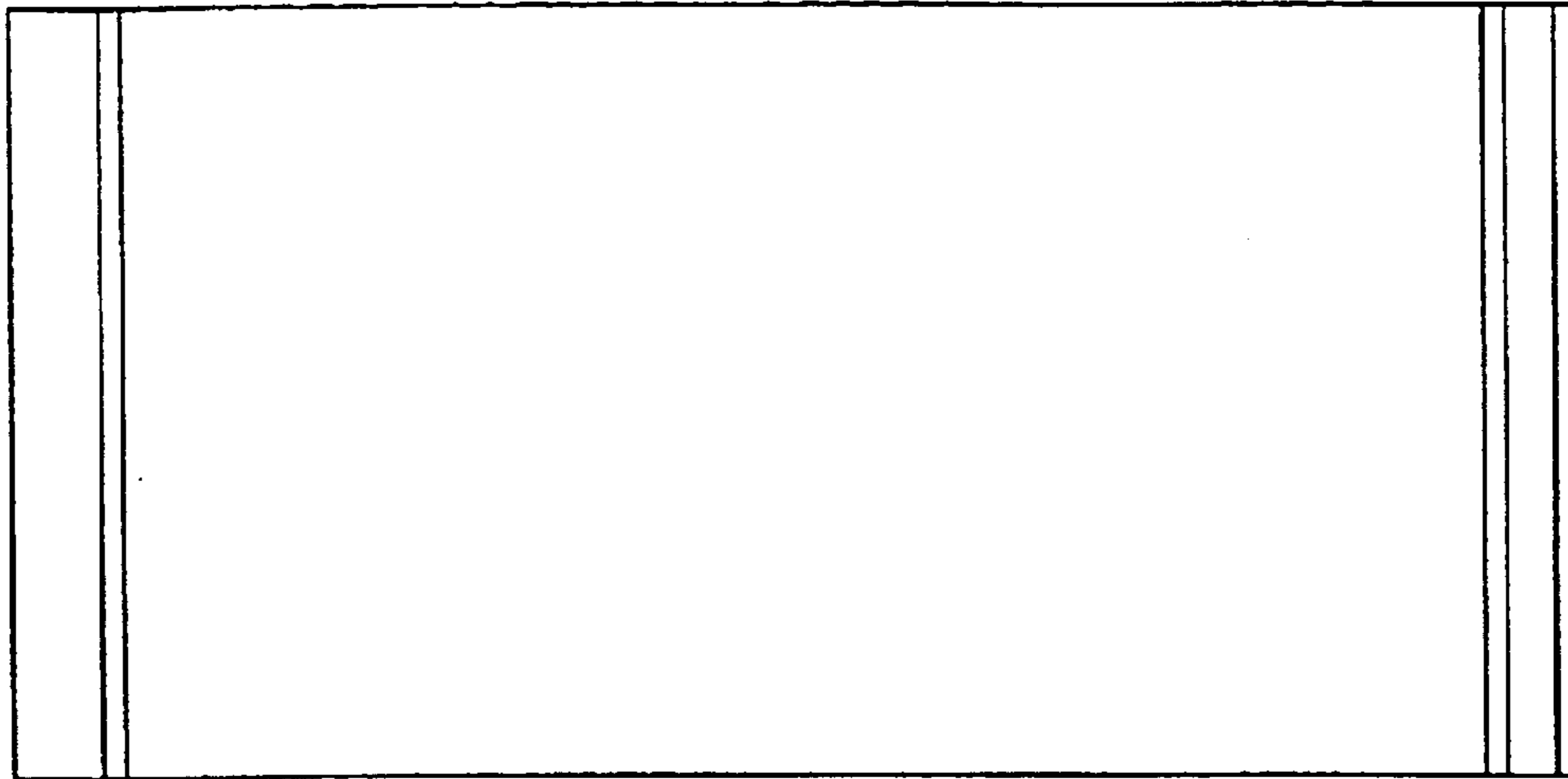


FIG. 1

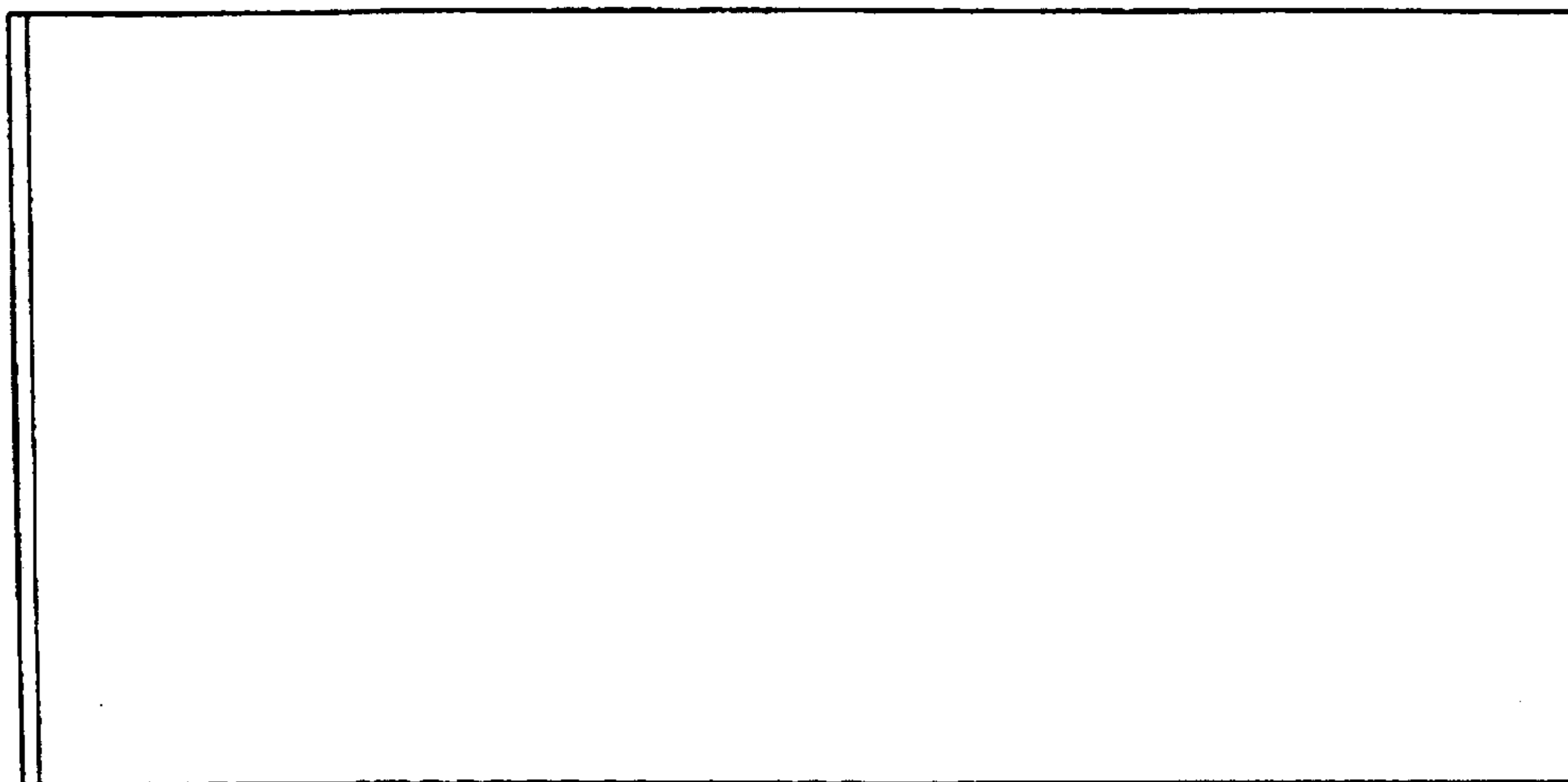


FIG. 2

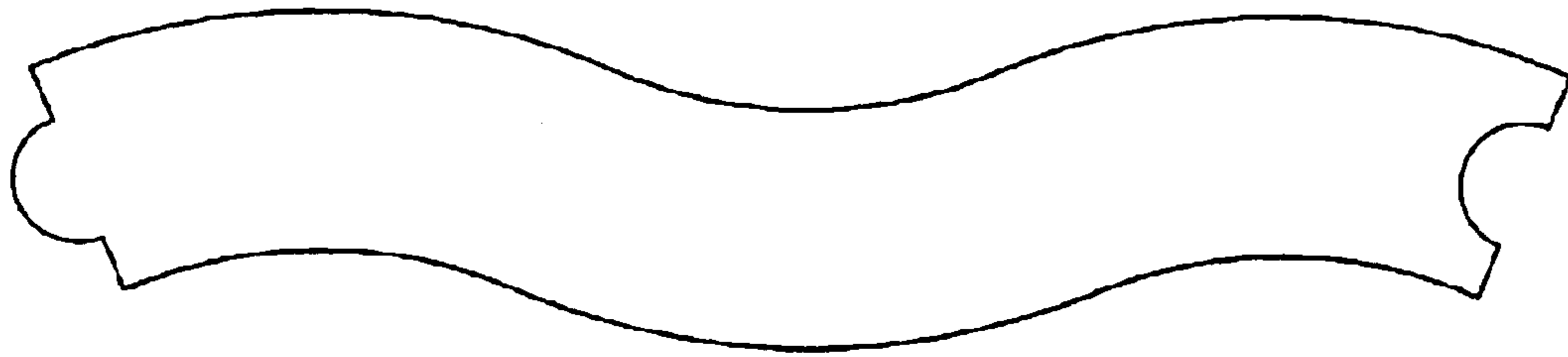


FIG. 3

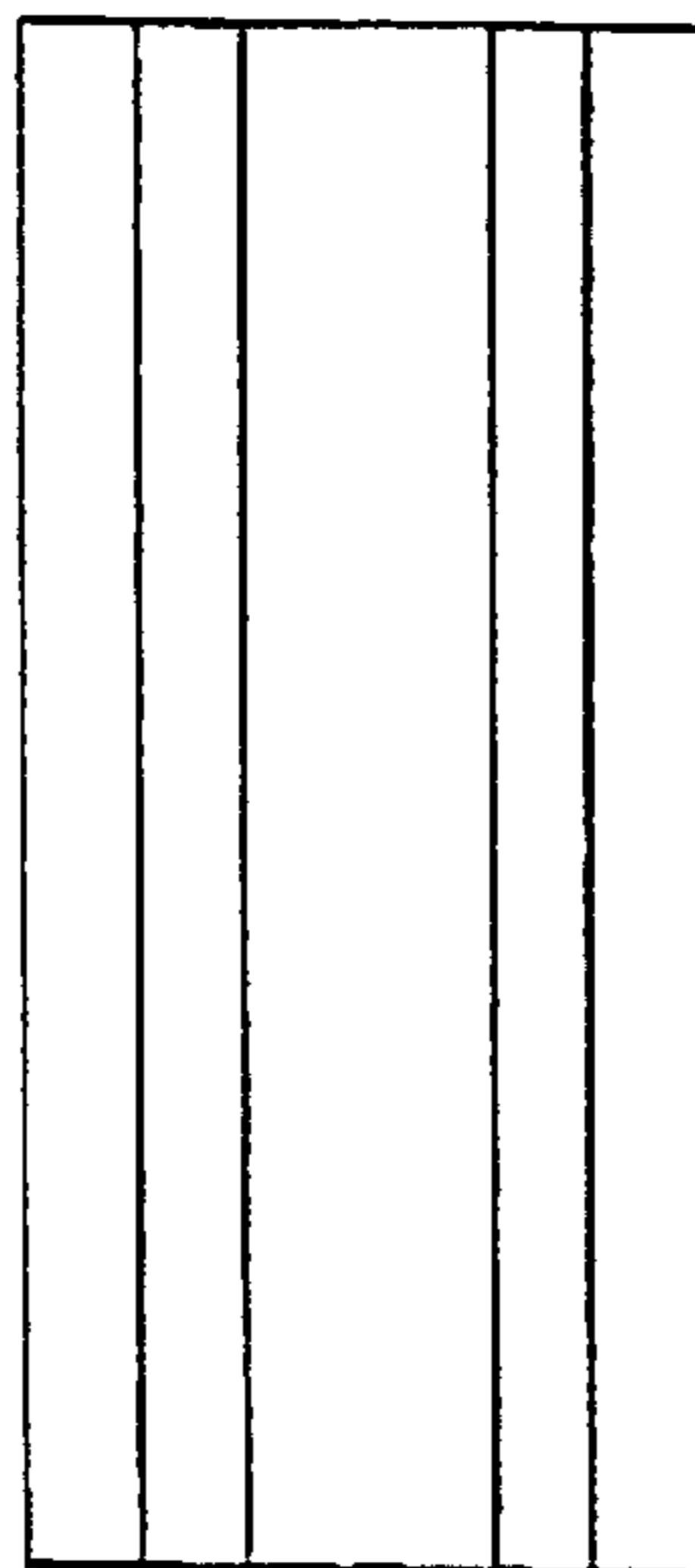


FIG. 4

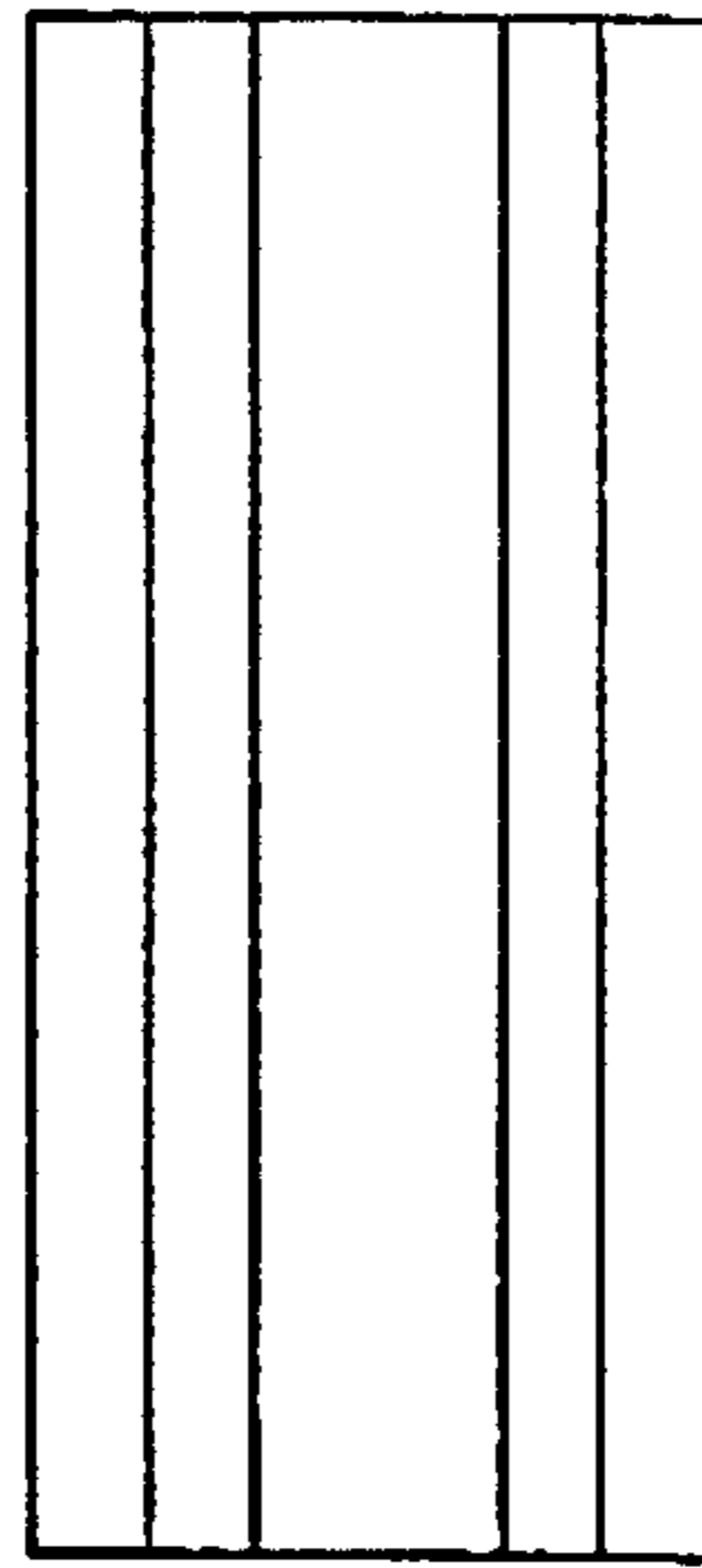


FIG. 5

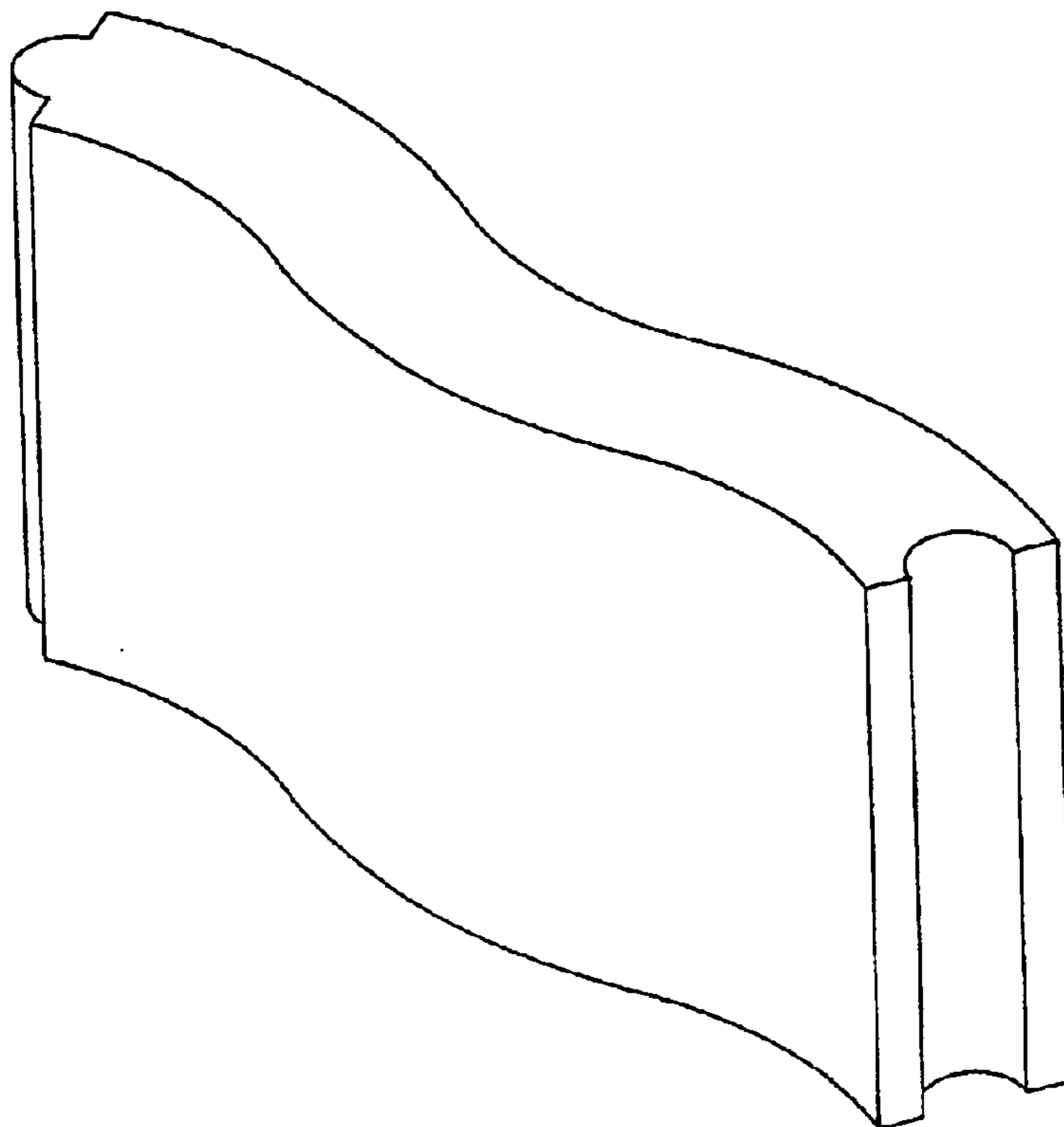


FIG. 6