

US00D492417S1

(12) **United States Design Patent**
Davis

(10) **Patent No.:** **US D492,417 S**
(45) **Date of Patent:** **** Jun. 29, 2004**

(54) **PACIFIER WITH RESERVOIR FOR DISPENSING MEDICINE**

Primary Examiner—Stella Reid
(74) *Attorney, Agent, or Firm*—Donald R. Schoonover

(76) **Inventor:** **Joseph R. Davis**, 86 Trask St.,
Providence, RI (US) 02905

(57) **CLAIM**

I claim the ornamental design for a pacifier with reservoir for dispensing medicine, as shown and described.

(**) **Term:** **14 Years**

(21) **Appl. No.:** **29/186,099**

DESCRIPTION

(22) **Filed:** **Jul. 10, 2003**

(51) **LOC (7) Cl.** **24-04**

FIG. 1 is an exploded perspective view of a pacifier with reservoir for dispensing medicine, showing my new design, the broken line showing of the funnel being for illustrative purposes only and forming no part of the claimed design;

(52) **U.S. Cl.** **D24/194**

FIG. 2 is a top plan view thereof;

(58) **Field of Search** D24/194, 193;
606/234, 235, 236

FIG. 3 is a bottom plan view thereof;

(56) **References Cited**

U.S. PATENT DOCUMENTS

FIG. 4 is an end elevational view thereof, the elevational view of the opposing end being a mirror image thereof;

5,078,734 A *	1/1992	Noble	604/77
5,123,915 A *	6/1992	Miller et al.	606/234
D387,868 S *	12/1997	Wilburn	D24/194
D418,604 S *	1/2000	Burym et al.	D24/194
D428,547 S *	7/2000	Diamond	D1/102

FIG. 5 is a side elevational view thereof; and,

FIG. 6 is an elevational view of the opposing side thereof.

* cited by examiner

1 Claim, 3 Drawing Sheets

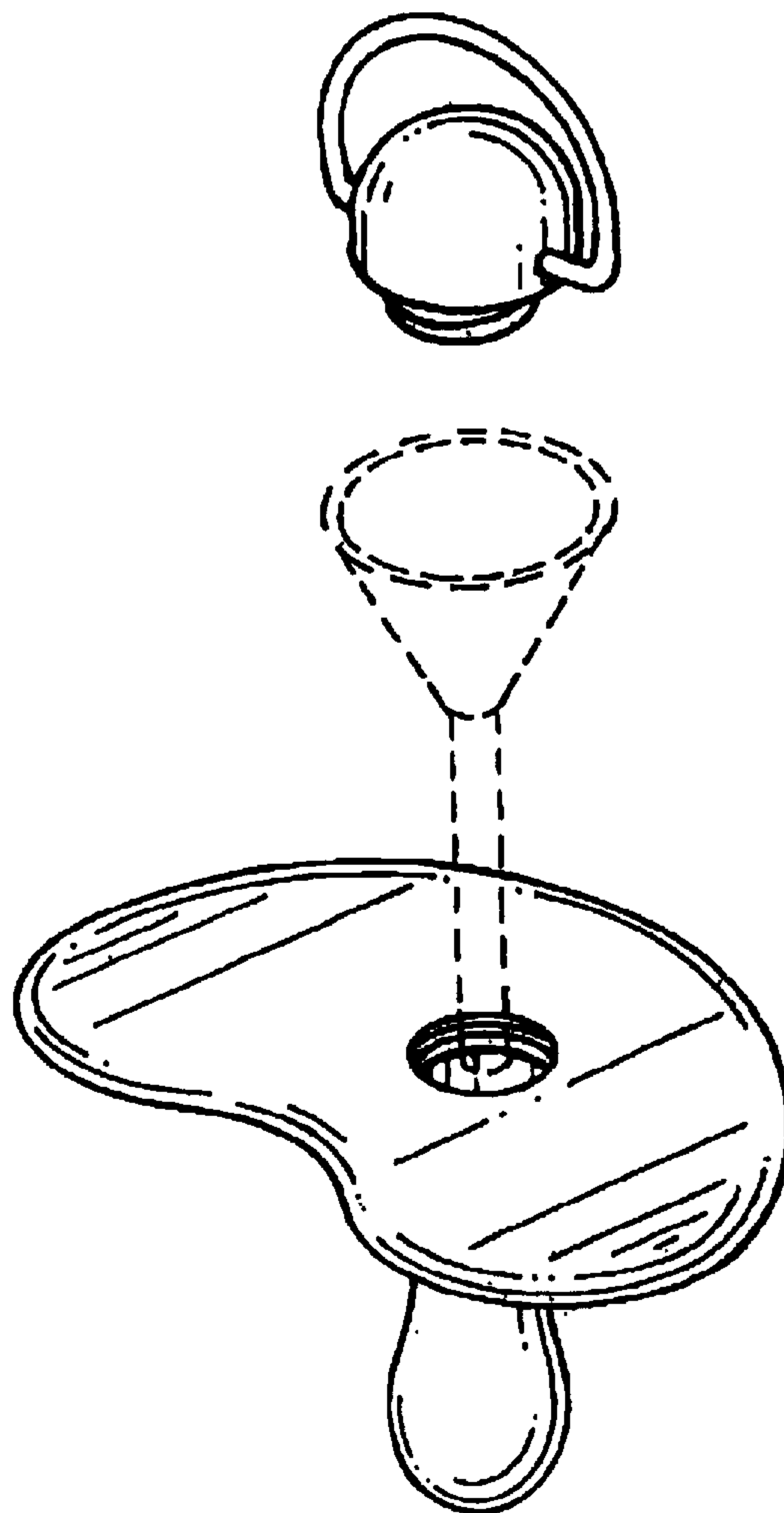
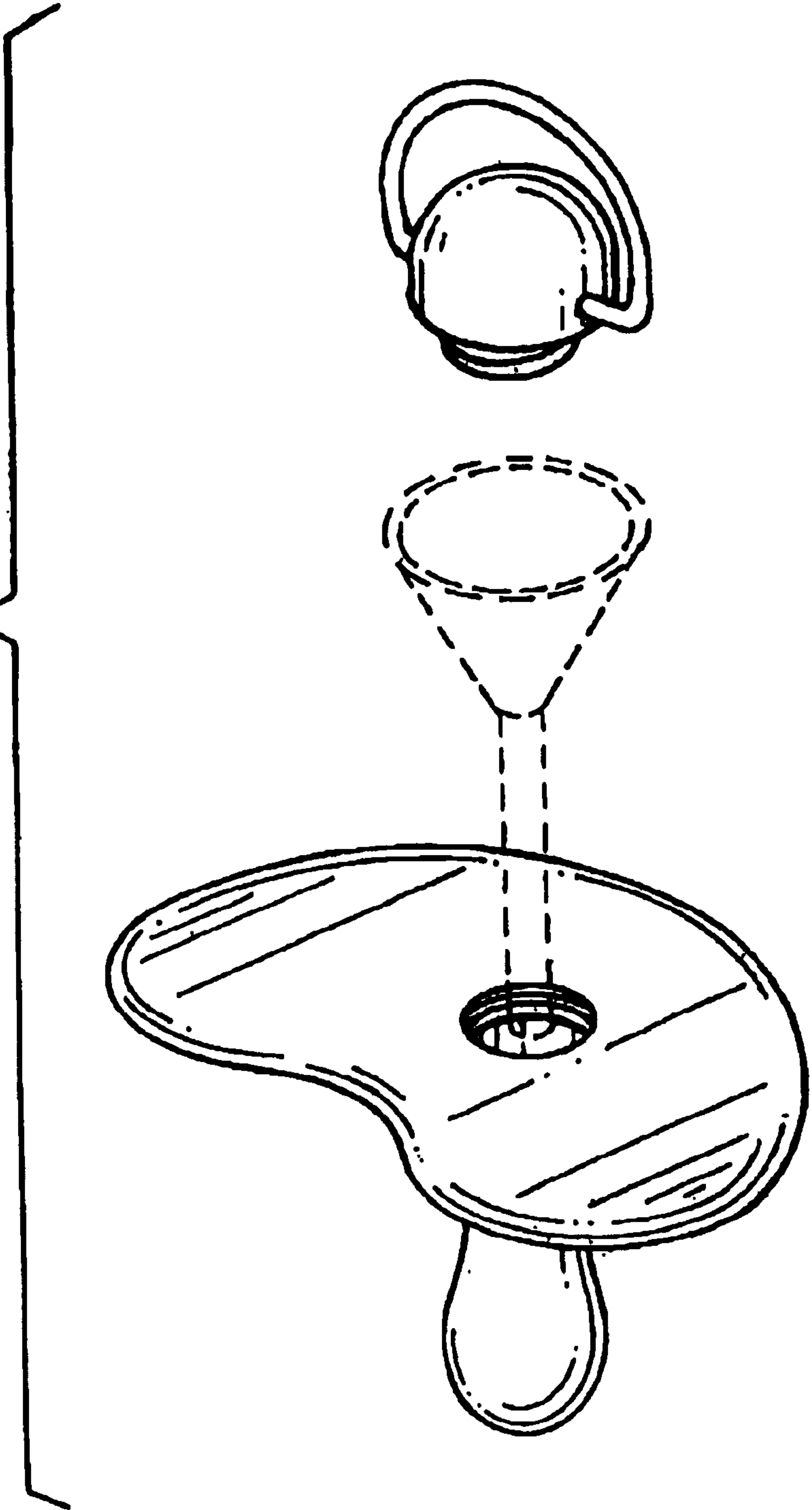


FIG. 1.



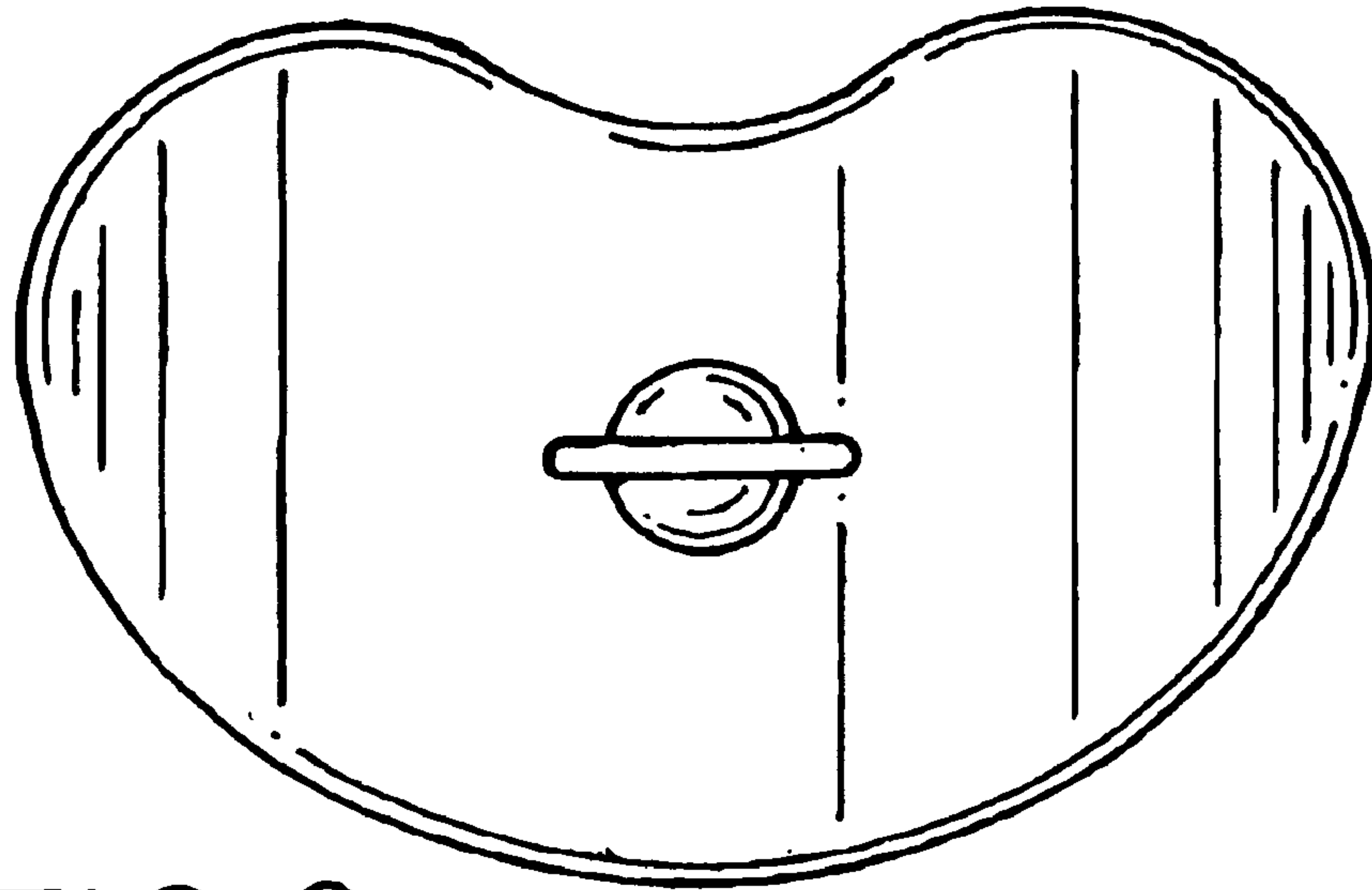


FIG. 2.

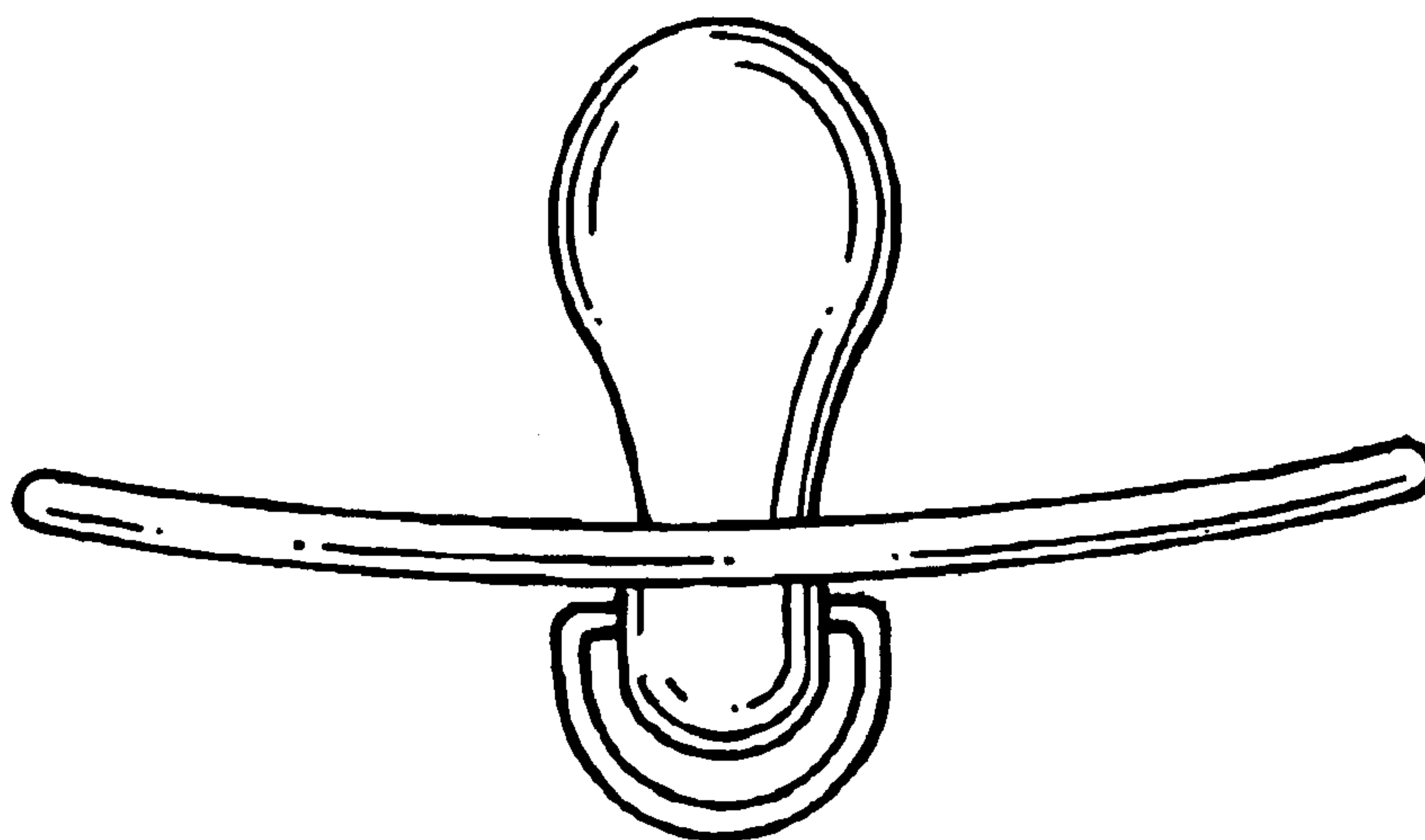


FIG. 5.

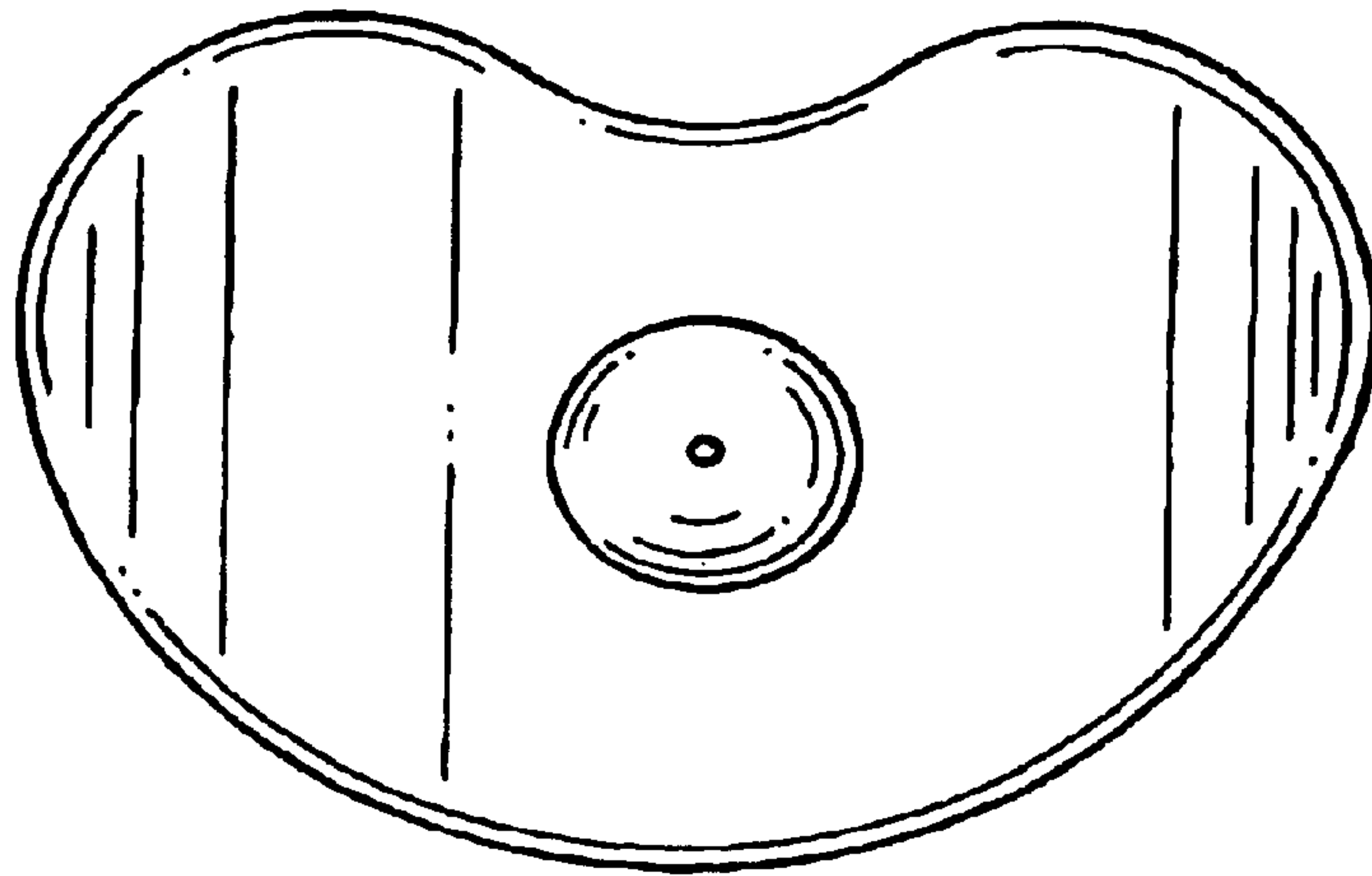


FIG. 3.

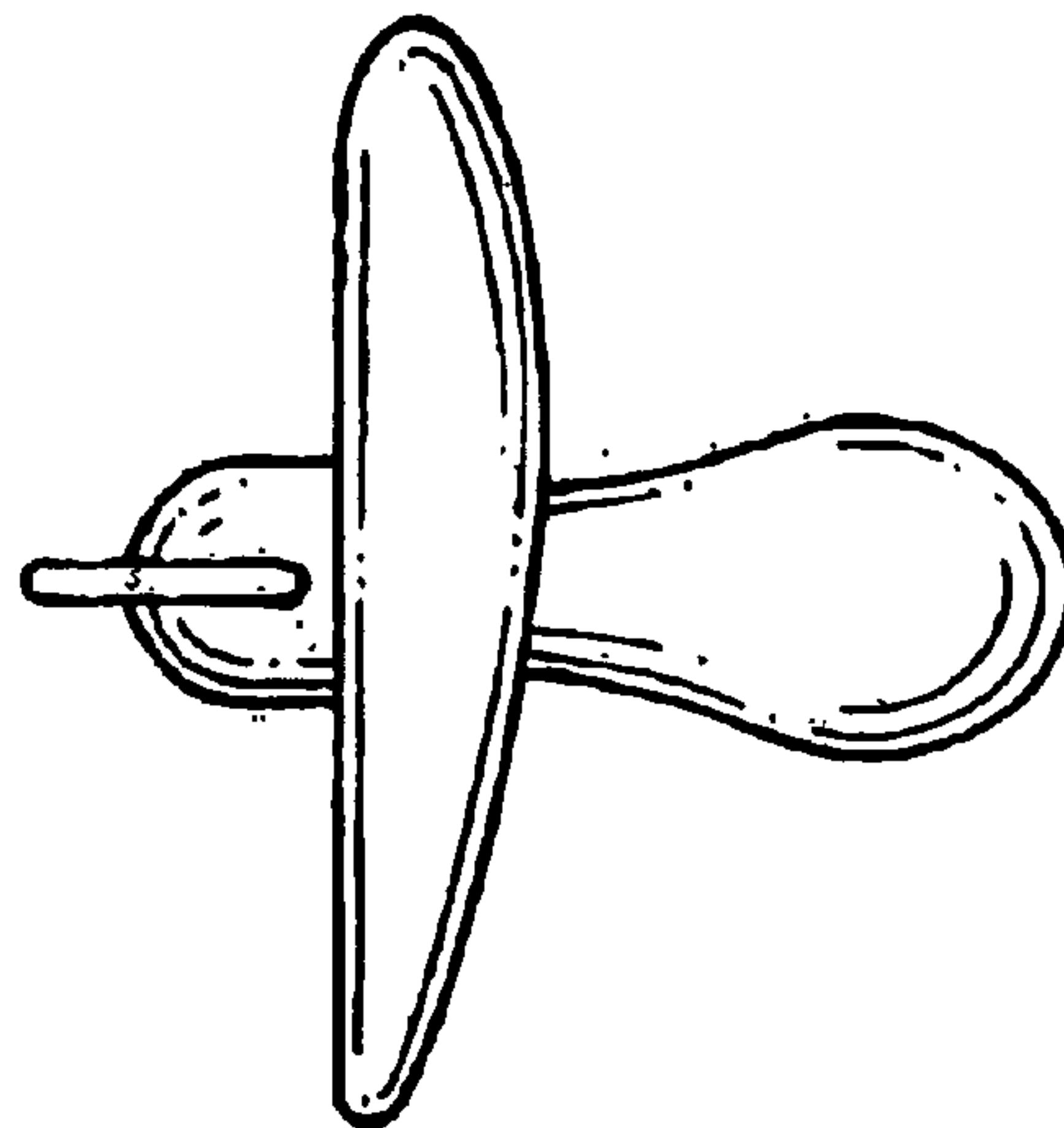


FIG. 4.

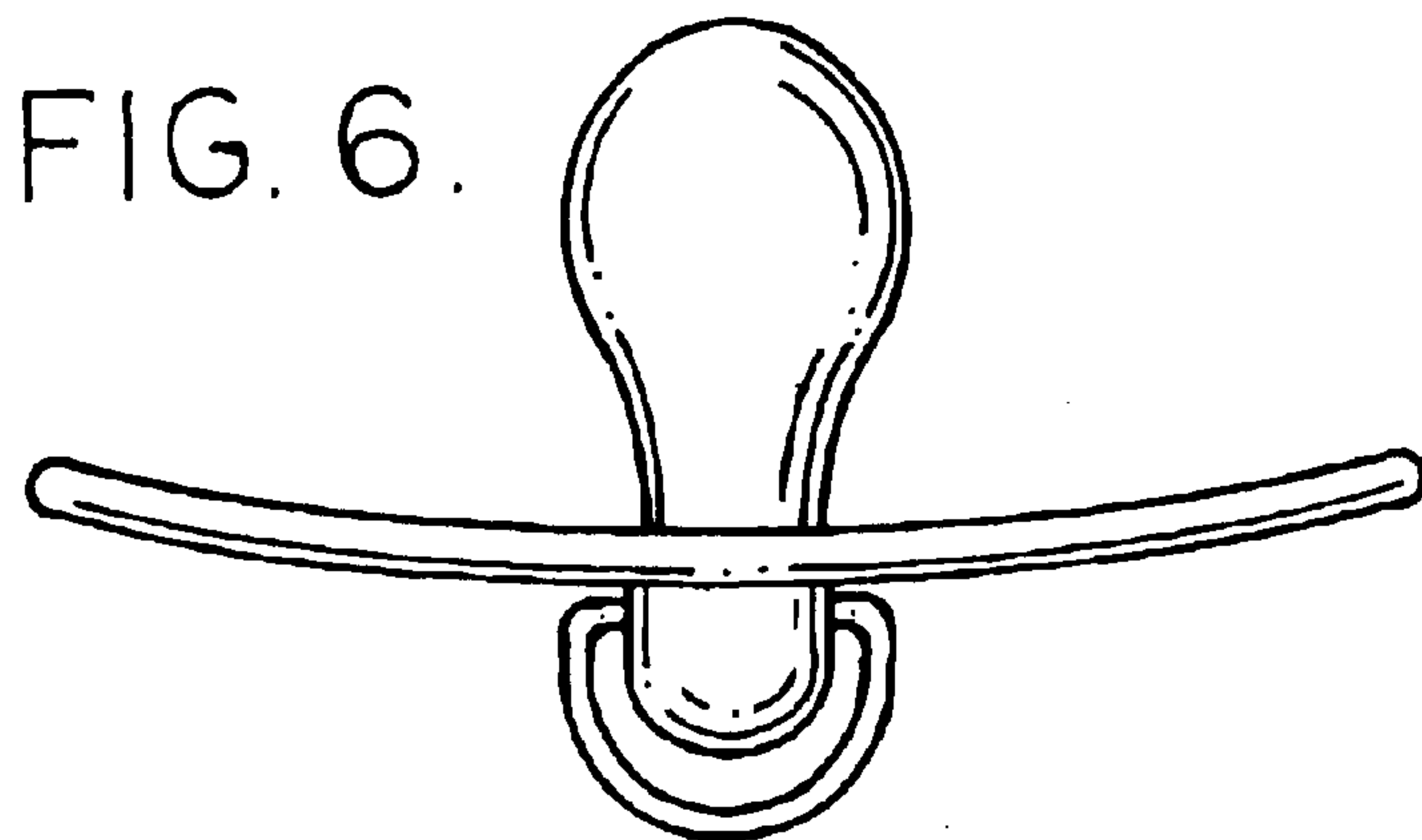


FIG. 6.