

US00D492415S1

(12) **United States Design Patent**
Tucker et al.

(10) **Patent No.:** **US D492,415 S**
(45) **Date of Patent:** **** Jun. 29, 2004**

(54) **CLUTCH TRANSFER DEVICE**
(75) Inventors: **John H. Tucker**, Fairview, PA (US);
Timothy M. Barber, Waterford, PA
(US); **William P. Legler**, Erie, PA (US)
(73) Assignee: **Tucker Dental**, Erie, PA (US)
(**) Term: **14 Years**

5,573,397 A 11/1996 Silva
5,622,497 A 4/1997 Cho
5,730,593 A 3/1998 Mack
5,738,516 A 4/1998 Landry
5,749,725 A 5/1998 Chinlund
5,795,152 A 8/1998 Glatt
6,152,732 A 11/2000 Lindekugel
6,386,868 B1 5/2002 Fujita

(21) Appl. No.: **29/172,816**
(22) Filed: **Dec. 17, 2002**

Primary Examiner—Antoine Duval Davis
(74) *Attorney, Agent, or Firm*—Fay, Sharpe, Fagan,
Minnich & McKee, LLP

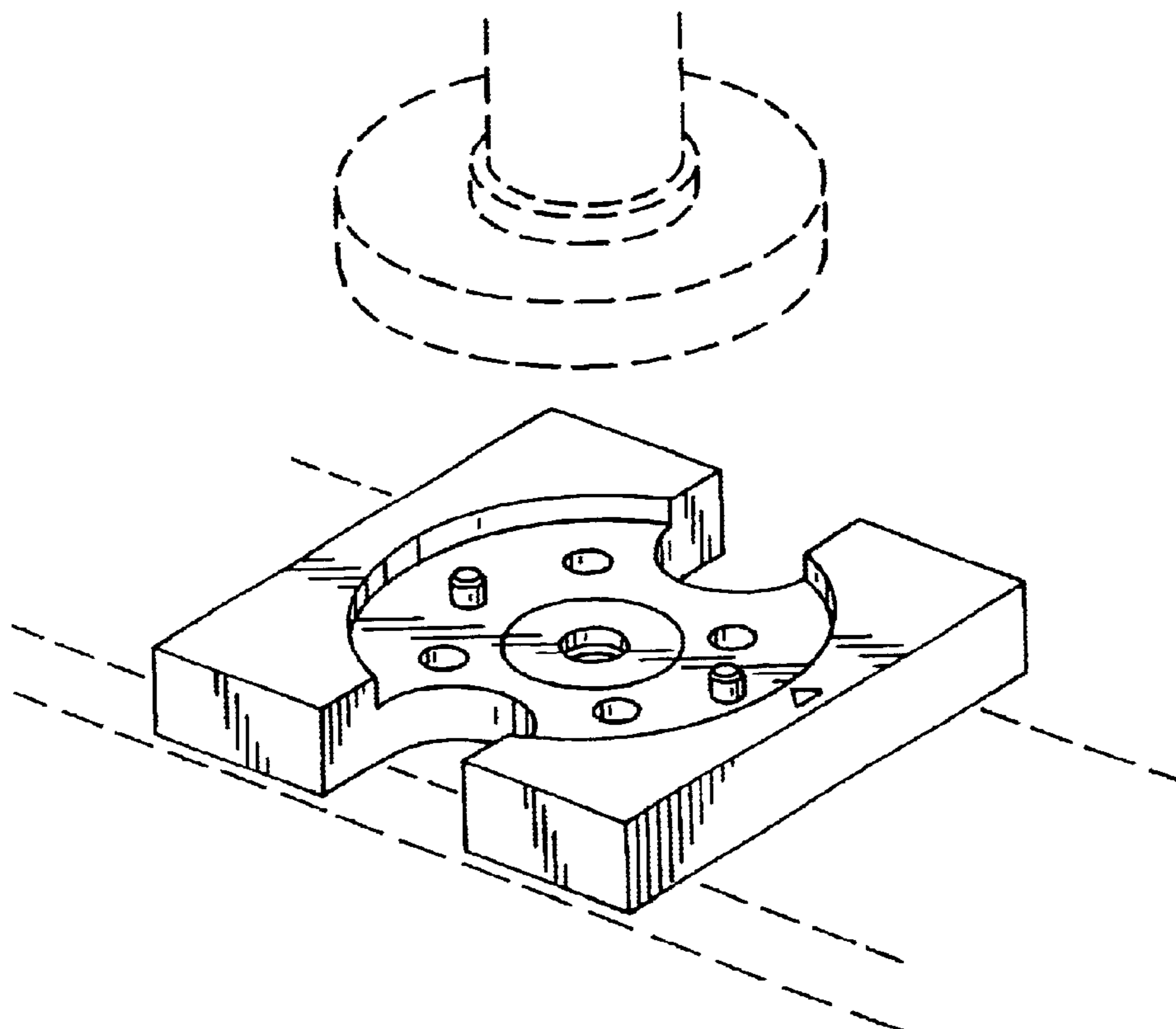
(51) **LOC (7) Cl.** **24-01**
(52) **U.S. Cl.** **D24/181**
(58) **Field of Search** D24/181; 433/54–57,
433/60–62, 65, 68, 73

(57) **CLAIM**
The ornamental design for a clutch transfer device, as shown
and described.

(56) **References Cited**
U.S. PATENT DOCUMENTS
4,030,197 A 6/1977 Linck, II et al.
4,245,987 A 1/1981 Bertoldi
4,315,740 A 2/1982 Mercer et al.
4,496,319 A 1/1985 Steinbock
4,533,323 A 8/1985 Huffman
4,600,385 A 7/1986 Lee
4,624,639 A 11/1986 Wong
4,634,377 A 1/1987 Behrend

DESCRIPTION
FIG. 1 is a perspective view of a clutch transfer device
illustrating our new design;
FIG. 2 is a top plan view thereof;
FIG. 3 is a front elevational view thereof;
FIG. 4 is a left side elevational view thereof; and,
FIG. 5 is a bottom plan view thereof.
The broken line showing is for illustrative purposes only and
forms no part of the claimed design.

1 Claim, 2 Drawing Sheets



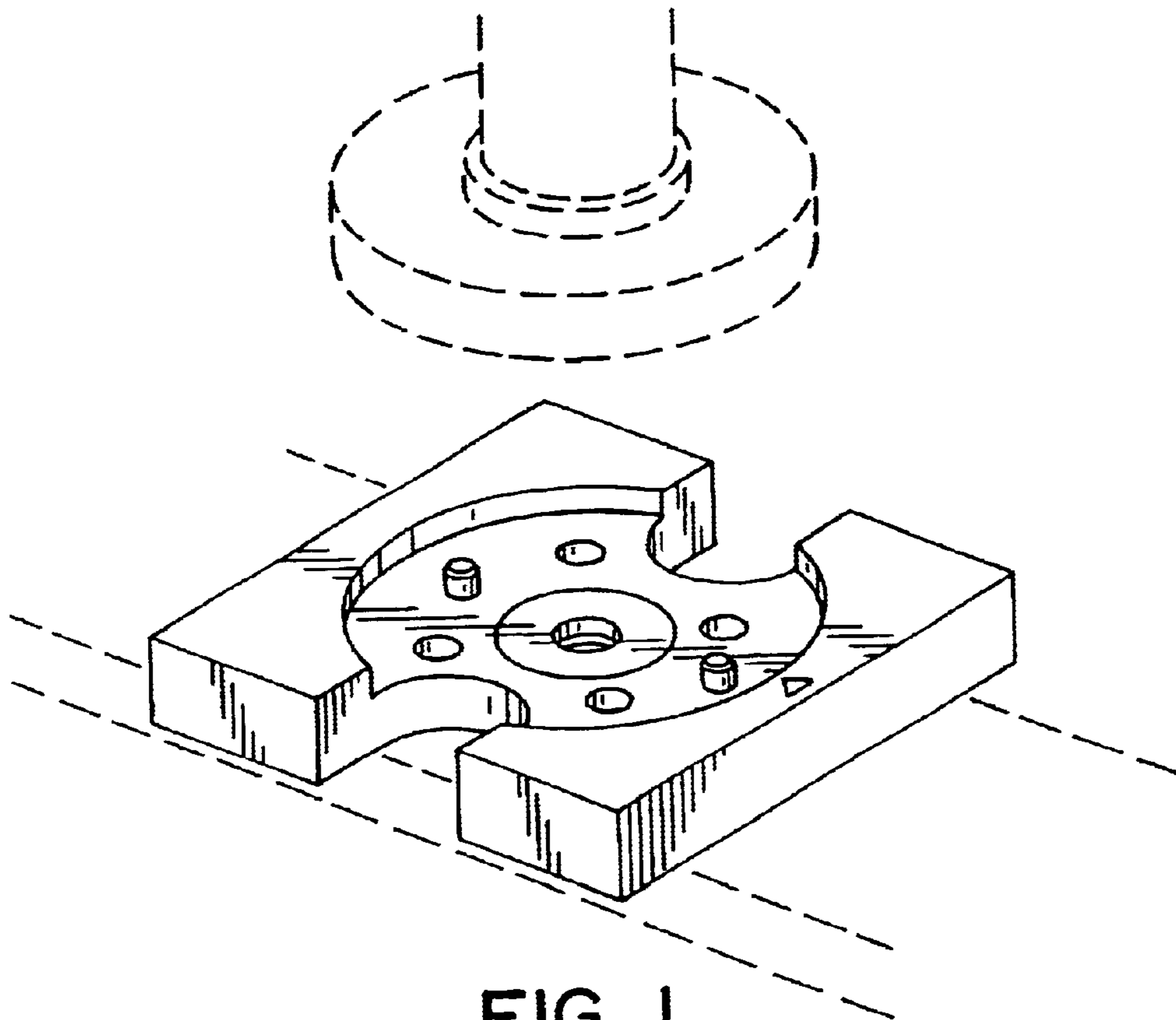


FIG. 1

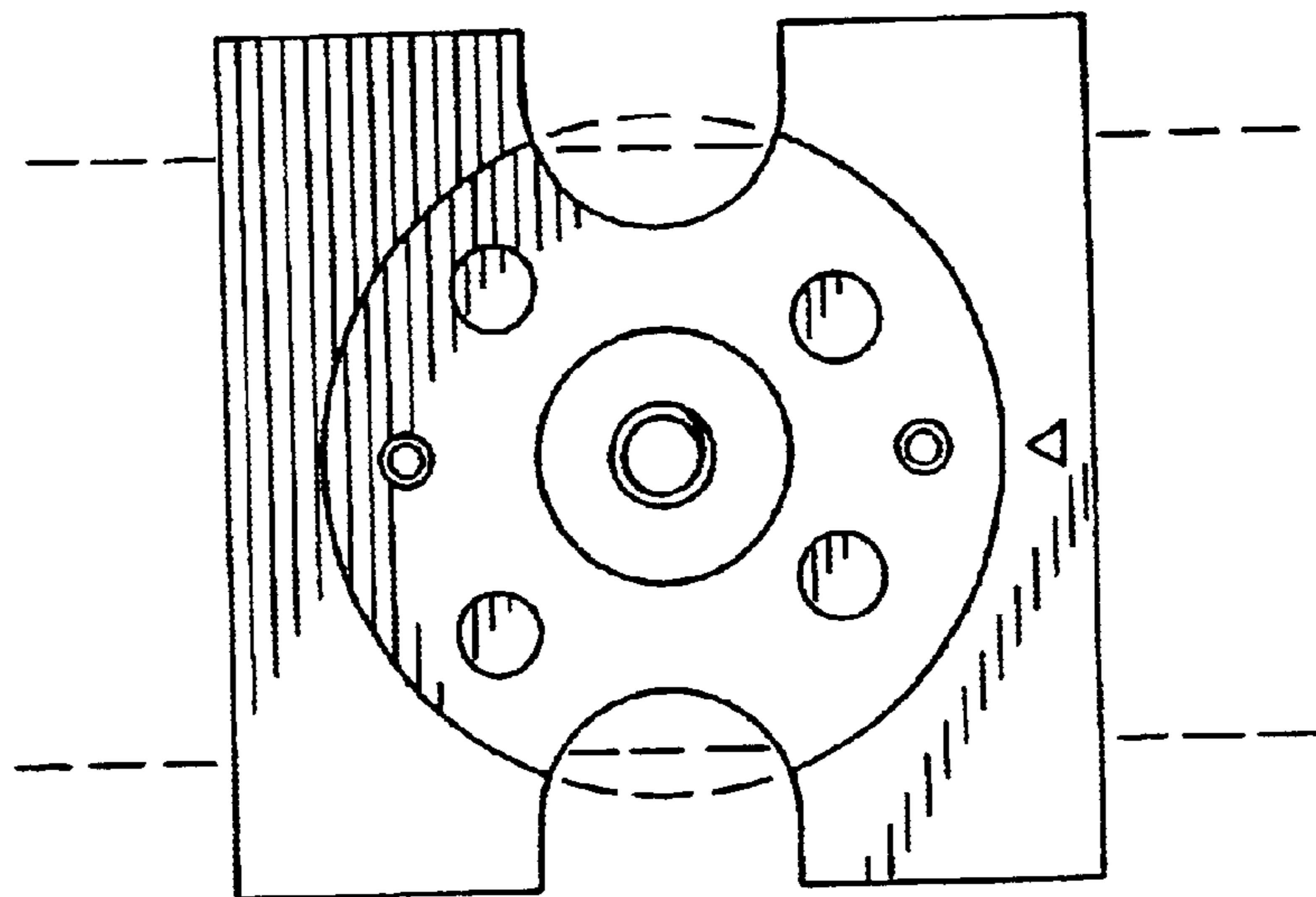


FIG. 2

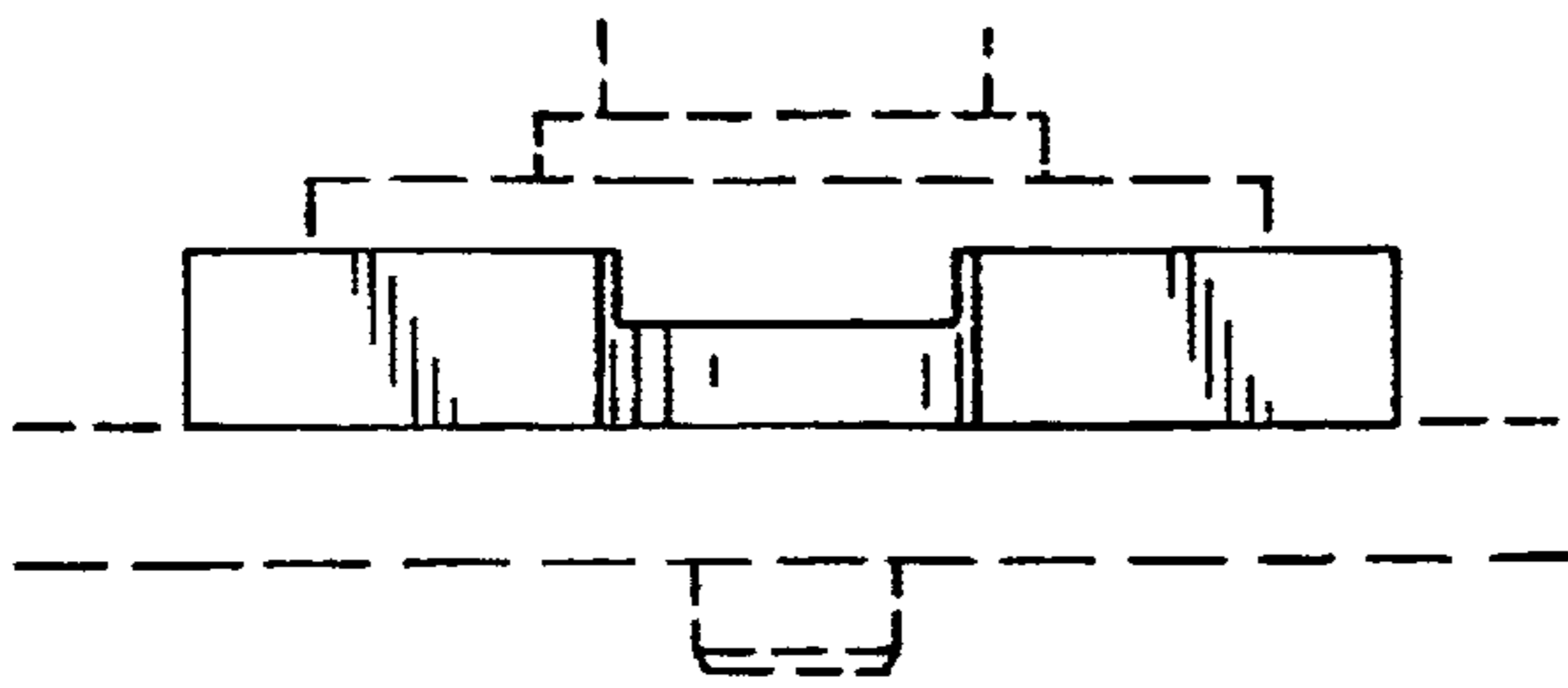


FIG. 3

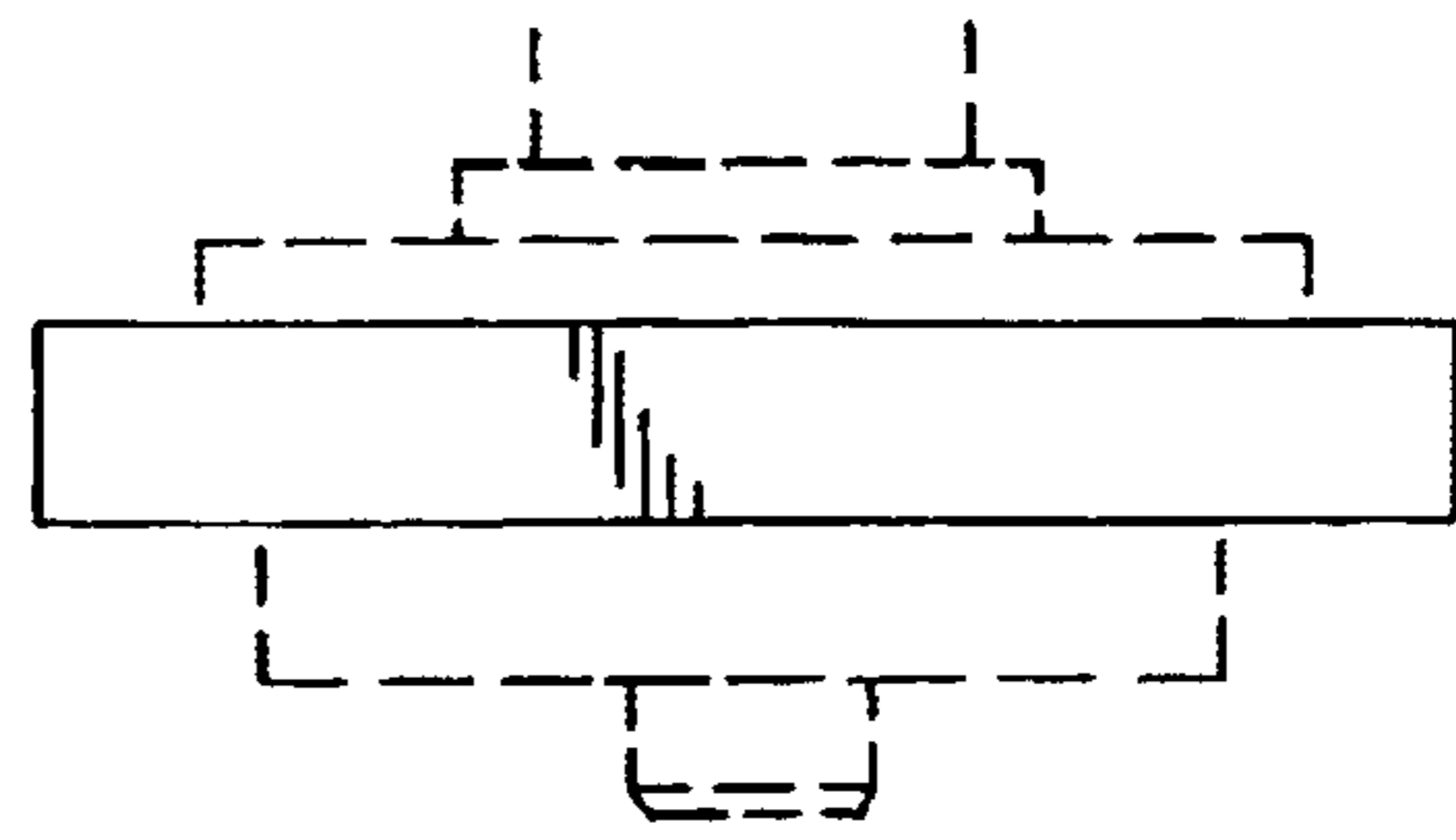


FIG. 4

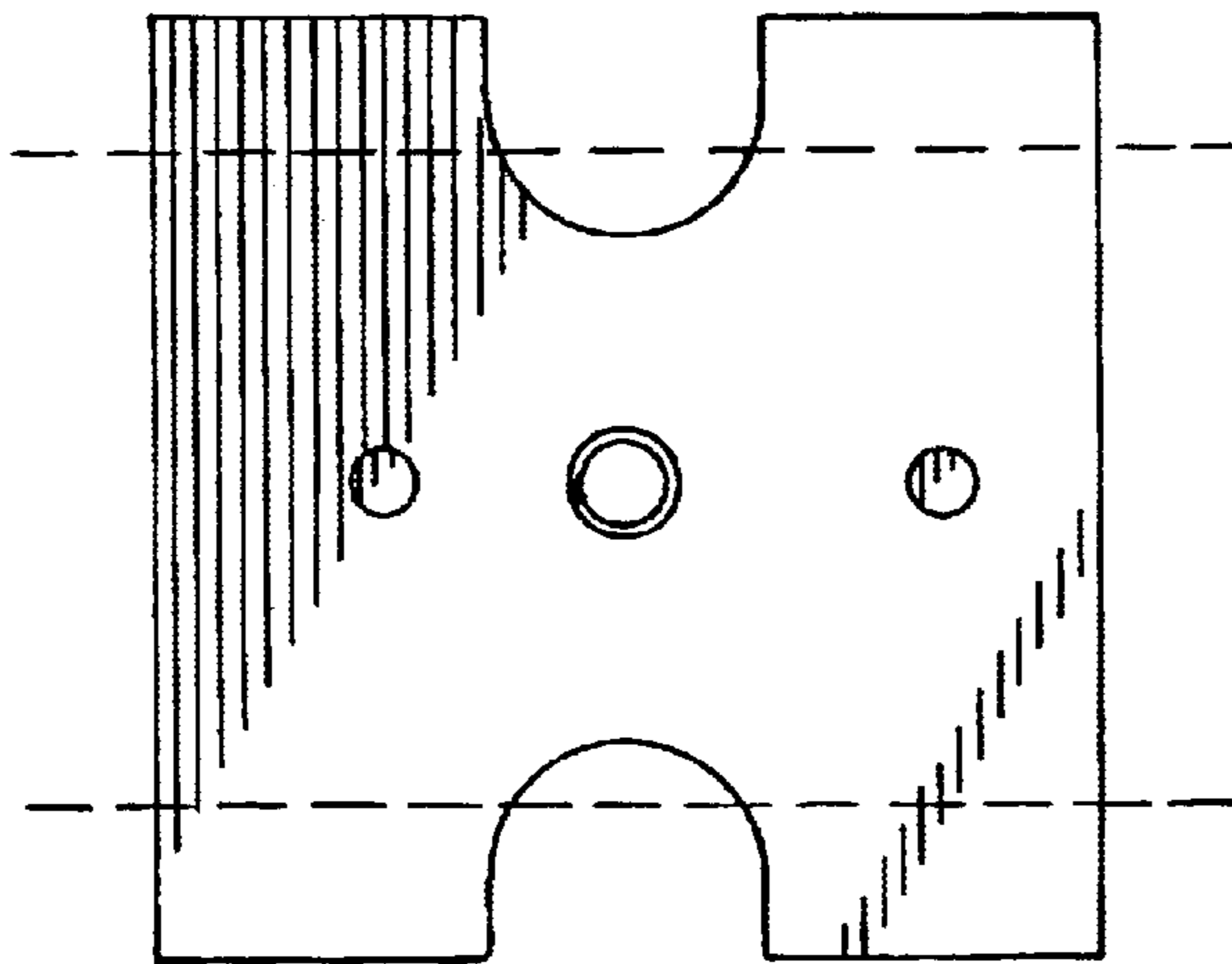


FIG. 5