

US00D492414S1

(12) **United States Design Patent**
Perry et al.

(10) **Patent No.:** **US D492,414 S**
(45) **Date of Patent:** **** Jun. 29, 2004**

(54) **COMPUTED RADIOGRAPHY READER**

(75) Inventors: **Ronald J. Perry**, Webster, NY (US);
James W. Sekol, Rochester, NY (US);
Binns C. Handy, Rochester, NY (US)

(73) Assignee: **Eastman Kodak Company**, Rochester,
NY (US)

(**) Term: **14 Years**

(21) Appl. No.: **29/175,938**

(22) Filed: **Feb. 13, 2003**

(51) **LOC (7) Cl.** **24-01**

(52) **U.S. Cl.** **D24/158**

(58) **Field of Search** D24/158; 378/182,
378/183, 185, 186; 396/389, 394; 250/208.1,
370.08, 370.09, 580; D16/246, 247

(56) **References Cited**

U.S. PATENT DOCUMENTS

- 5,440,146 A * 8/1995 Steffen et al. 250/580
- D371,843 S * 7/1996 Whitby et al. D24/158
- D477,079 S * 7/2003 Takahashi D24/158

* cited by examiner

Primary Examiner—Stella Reid

(74) *Attorney, Agent, or Firm*—William F. Noval

(57) **CLAIM**

The ornamental design for a computed radiography reader,
as shown and described.

DESCRIPTION

FIG. 1 is a front perspective view of a computed radiography
reader according to the present invention.

FIG. 2 is a front elevational view of the computed radiog-
raphy reader of FIG. 1.

FIG. 3 is a right side elevational view of the computed
radiography reader of FIG. 1.

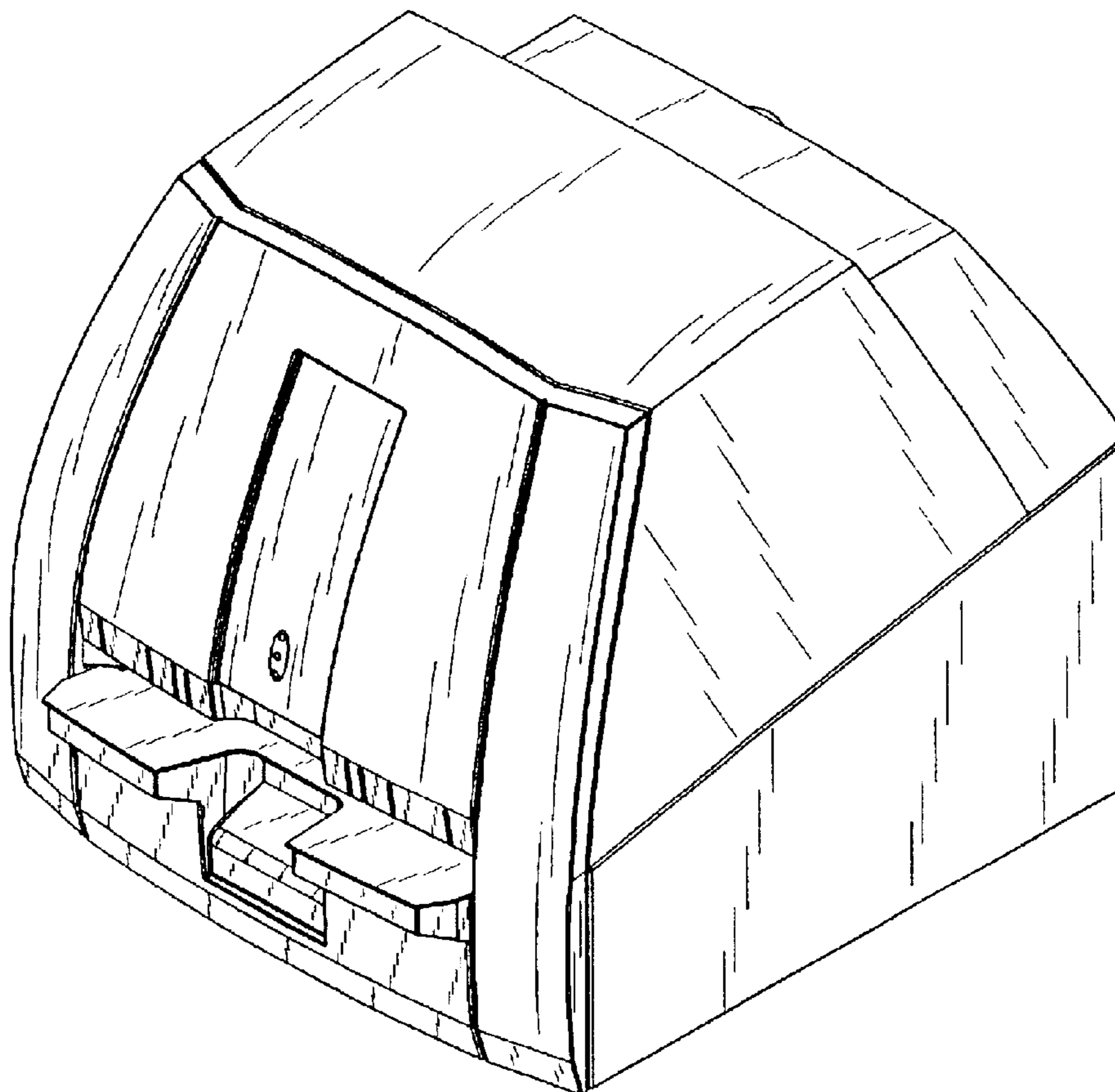
FIG. 4 is a left side elevational view of the computed
radiography reader of FIG. 1.

FIG. 5 is a rear elevational view of the computed radiogra-
phy reader of FIG. 1.

FIG. 6 is a top plan view of the computed radiography reader
of FIG. 1; and,

FIG. 7 is a bottom plan view of the computed radiography
reader of FIG. 1.

1 Claim, 7 Drawing Sheets



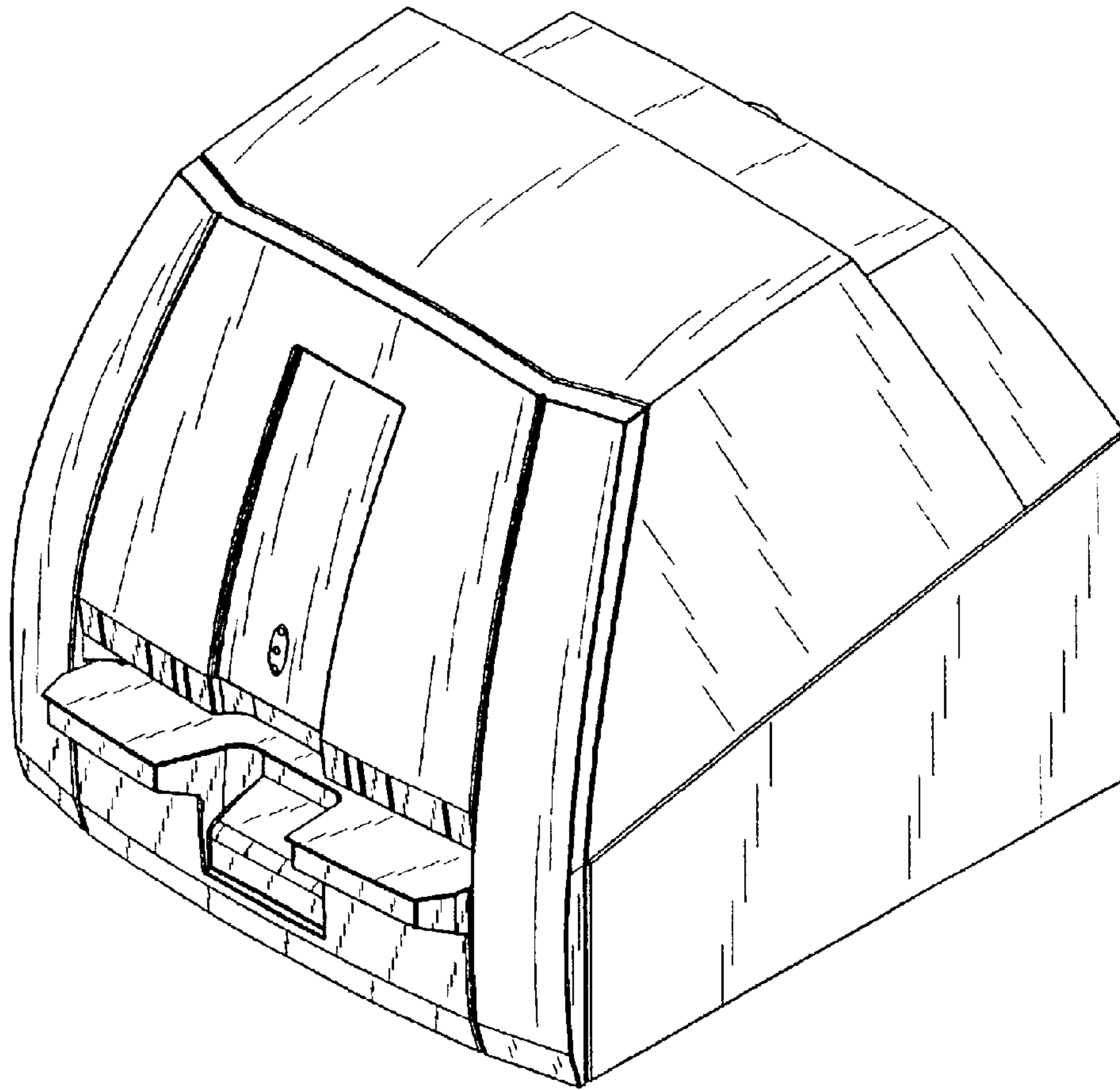


FIG. 1

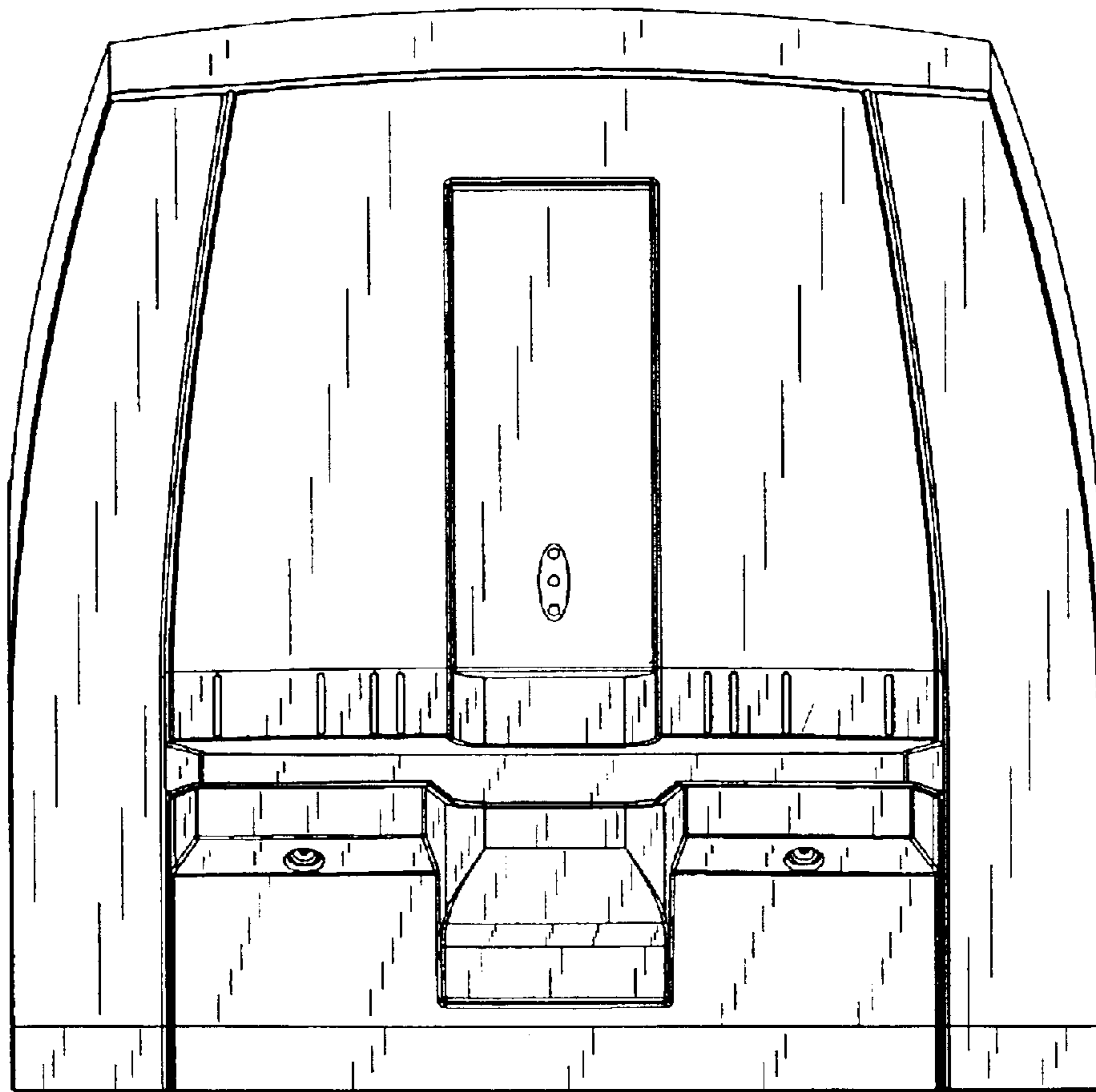


FIG. 2

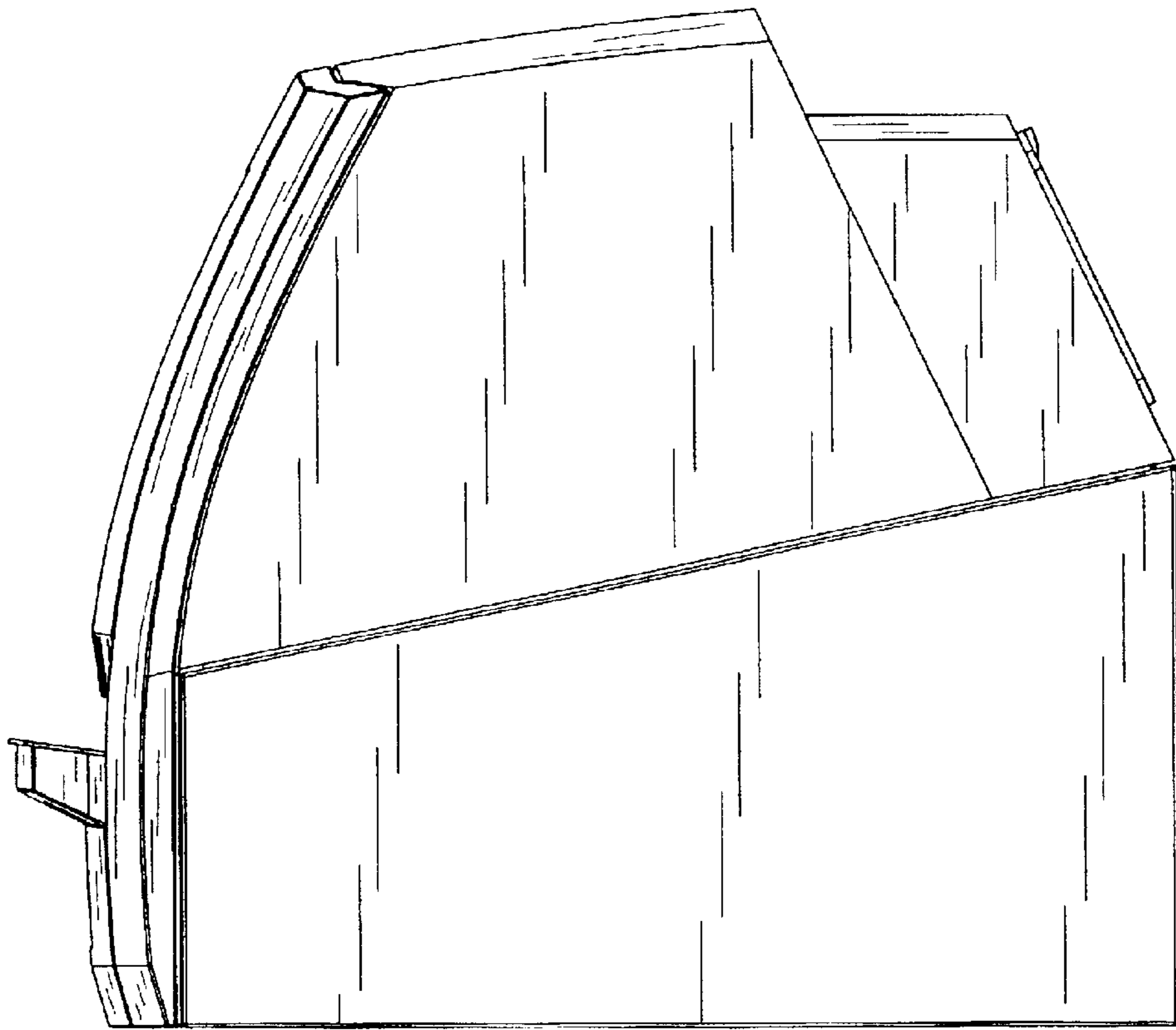


FIG. 3

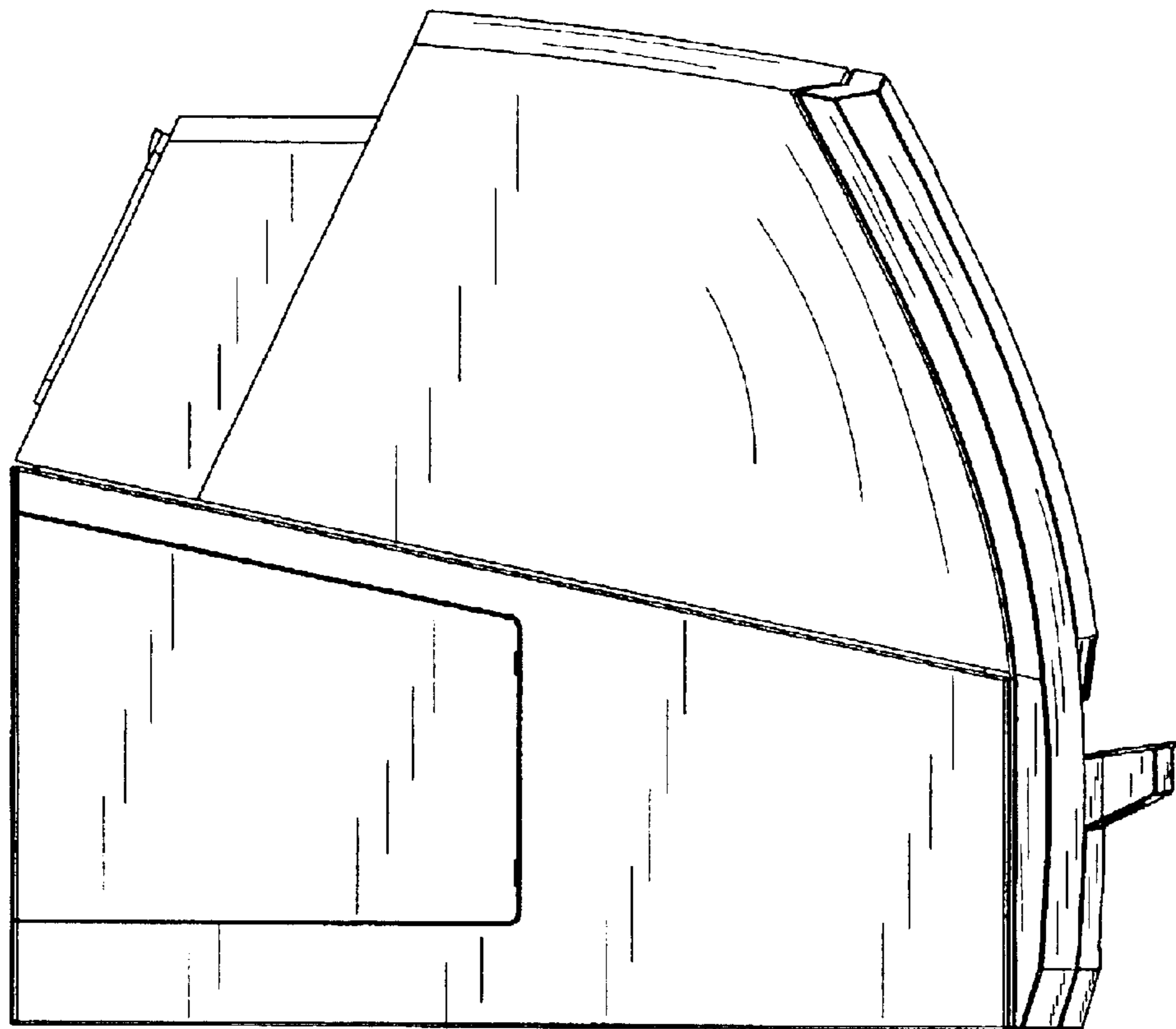


FIG. 4

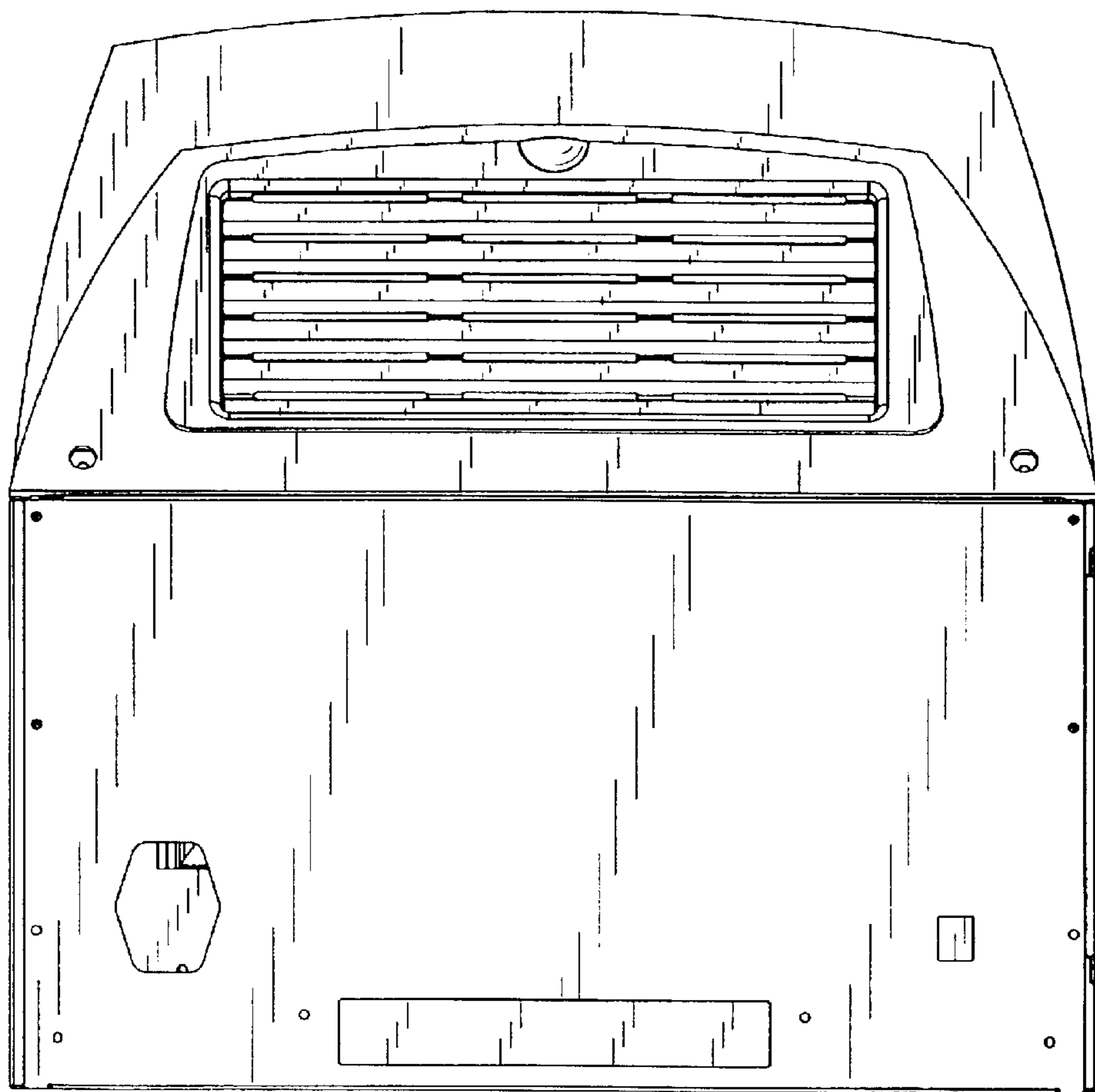


FIG. 5

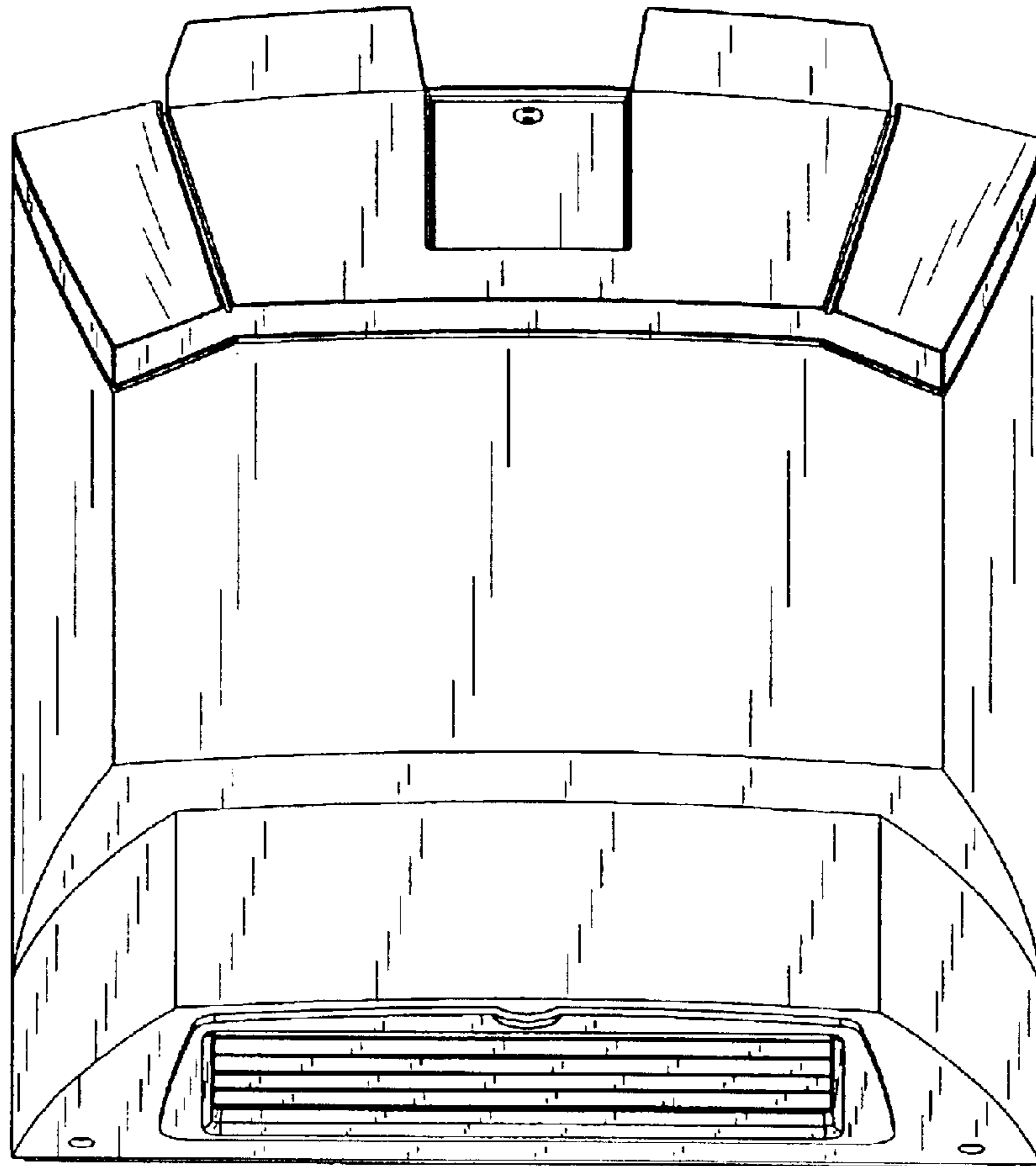


FIG. 6

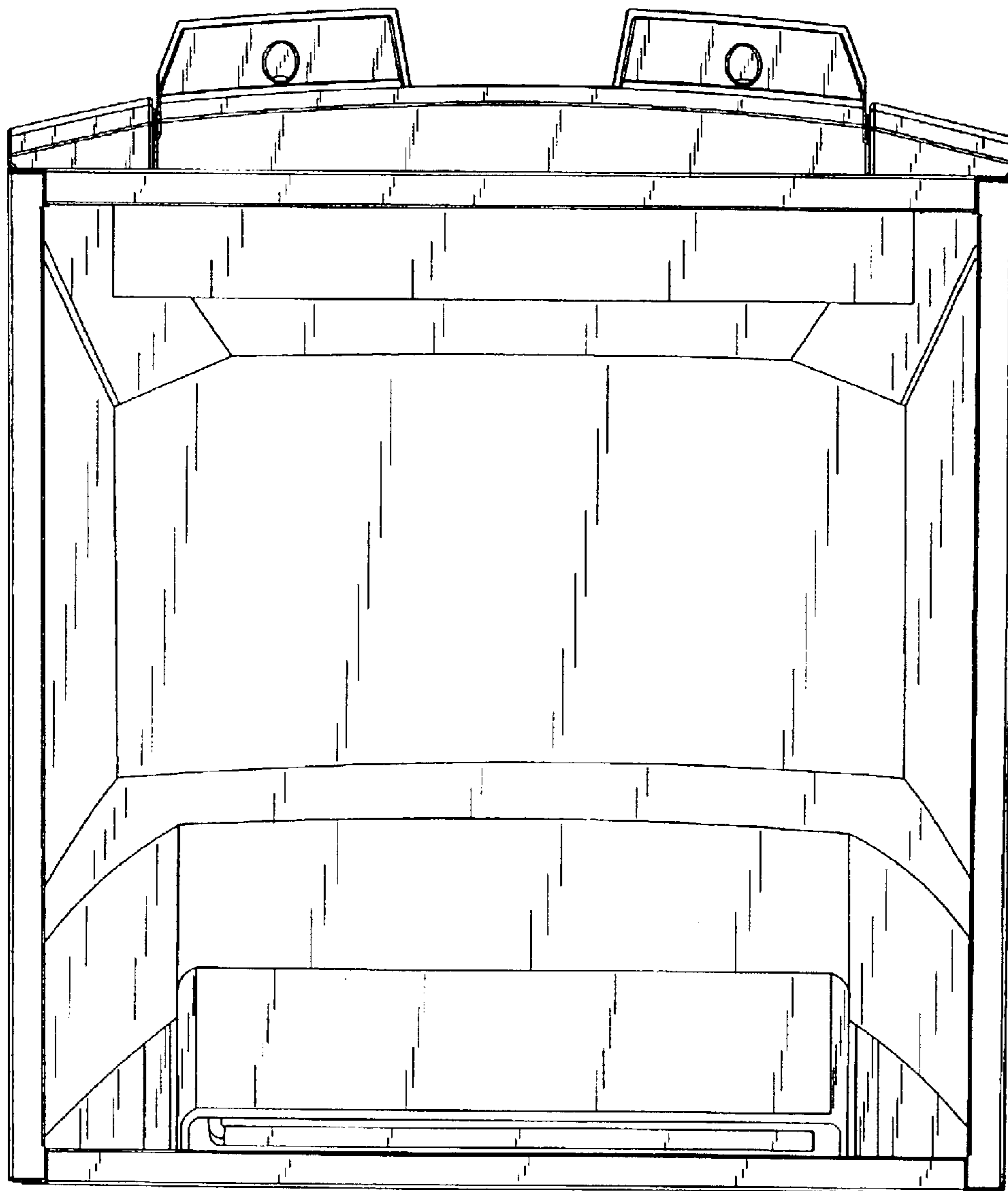


FIG. 7