

US00D492404S1

(12) **United States Design Patent** (10) **Patent No.:** **US D492,404 S**  
**Prais et al.** (45) **Date of Patent:** **\*\* Jun. 29, 2004**

- (54) **SHIELDABLE MEDICAL NEEDLE ASSEMBLY**
- (75) Inventors: **Alfred W. Prais**, Hewitt, NJ (US);  
**Richard J. Caizza**, Vernon, NJ (US);  
**Gary Henniger**, Wayne, NJ (US);  
**Espen D. Karteraas**, Tuxedo, NY (US)
- (73) Assignee: **Becton, Dickinson and Company**,  
Franklin Lakes, NJ (US)
- (\*\*) Term: **14 Years**
- (21) Appl. No.: **29/178,651**
- (22) Filed: **Mar. 28, 2003**

4,846,796 A	7/1989	Carrell et al.
4,900,311 A	2/1990	Stern et al.
4,923,447 A	5/1990	Morgan
D313,470 S	* 1/1991	Talonn et al. .... D24/114
5,019,051 A	* 5/1991	Hake ..... 604/198
5,104,385 A	4/1992	Huband
5,215,535 A	6/1993	Gettig et al.
5,222,945 A	6/1993	Basnight
5,222,947 A	* 6/1993	D'Amico ..... 604/198
5,295,975 A	3/1994	Lockwood, Jr.
5,304,149 A	4/1994	Morigi
5,322,517 A	6/1994	Sircom et al.
5,328,482 A	7/1994	Sircom et al.
5,338,310 A	8/1994	Lewandowski
5,342,309 A	8/1994	Hausser

(List continued on next page.)

**Related U.S. Application Data**

- (63) Continuation-in-part of application No. 29/160,324, filed on May 9, 2002, now Pat. No. Des. 476,418.
- (51) **LOC (7) Cl.** ..... **24-02**
- (52) **U.S. Cl.** ..... **D24/112; D24/114; D24/130**
- (58) **Field of Search** ..... D24/112, 114,  
D24/130; 128/919; 604/263, 198, 195,  
197, 192, 164.08, 187, 110

**References Cited**

**U.S. PATENT DOCUMENTS**

585,007 A	6/1897	Rambaid
2,953,243 A	9/1960	Roehr
3,119,391 A	1/1964	Harrison
3,194,237 A	7/1965	Rubin
3,294,231 A	12/1966	Vanderbeck
3,512,520 A	5/1970	Cowan
3,905,371 A	9/1975	Stickl et al.
3,948,261 A	4/1976	Steiner
4,170,993 A	10/1979	Alvarez
4,425,120 A	1/1984	Sampson et al.
4,573,976 A	3/1986	Sampson et al.
4,631,057 A	12/1986	Mitchell
4,723,943 A	* 2/1988	Spencer ..... 604/198
4,737,144 A	* 4/1988	Choksi ..... 604/198
4,747,837 A	5/1988	Hauck
4,838,877 A	6/1989	Massau

**FOREIGN PATENT DOCUMENTS**

DE	4332182 C1	1/1995
EP	475 857 A1	3/1992
GB	920341	3/1963
WO	WO 98/57689	12/1998

*Primary Examiner*—Ian Simmons

(74) *Attorney, Agent, or Firm*—Webb Ziesenheim Logsdon Orkin & Hanson, P.C.

(57) **CLAIM**

The ornamental design for a shieldable medical needle assembly, substantially as shown and described.

**DESCRIPTION**

FIG. 1 is a perspective view of a shieldable medical needle assembly showing our new design, the broken line showing for illustrative purposes only and forms no part of the claimed design;

FIG. 2 is a top plan view thereof;

FIG. 3 is a side perspective view thereof;

FIG. 4 is a front elevational view thereof;

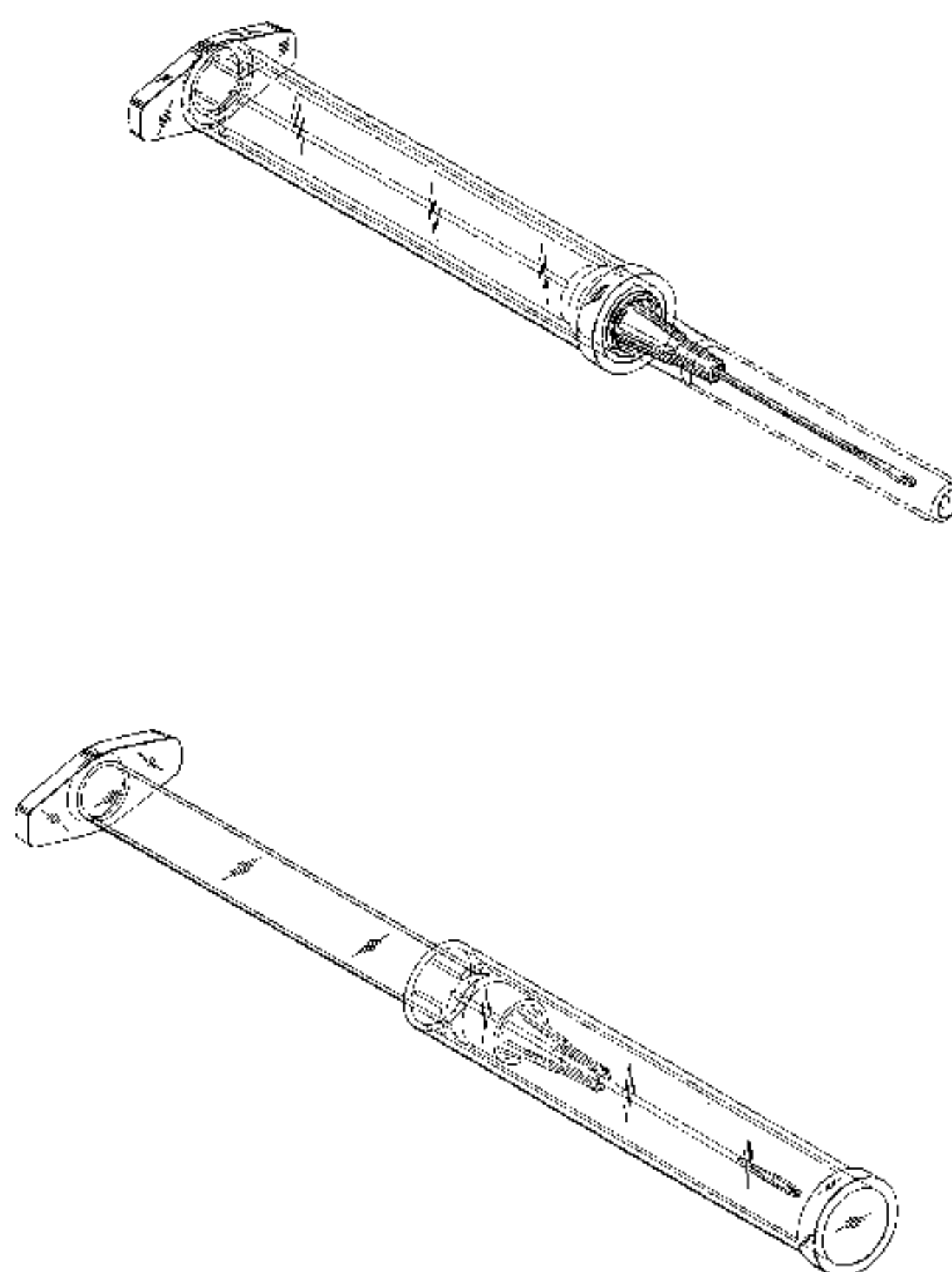
FIG. 5 is a rear elevational view thereof;

FIG. 6 is a perspective view of the medical needle assembly shown in a safety shielded position;

FIG. 7 is a top elevational view thereof; and,

FIG. 8 is a side elevational view thereof.

**1 Claim, 5 Drawing Sheets**



U.S. PATENT DOCUMENTS

5,385,555 A	1/1995	Hausser	5,733,264 A	3/1998	Flowers	
5,439,450 A	8/1995	Haedt	5,735,823 A *	4/1998	Berger .....	604/192
5,591,138 A	1/1997	Vaillancourt	5,769,827 A	6/1998	DeMichele et al.	
5,601,535 A	2/1997	Byrne et al.	5,843,041 A *	12/1998	Hake et al. ....	604/198
5,611,781 A	3/1997	Sircom et al.	5,947,933 A	9/1999	Reichenbach et al.	
5,611,782 A	3/1997	Haedt	RE36,447 E	12/1999	Byrne et al.	
5,632,728 A	5/1997	Hein	D426,305 S	6/2000	Hein	
5,647,849 A	7/1997	Kalin	6,093,170 A	7/2000	Hsu et al.	
5,658,254 A	8/1997	Reichenbach et al.	6,149,630 A *	11/2000	Robinson .....	604/198
5,662,610 A	9/1997	Sircom	6,241,710 B1	6/2001	VanTassel et al.	
5,674,203 A	10/1997	Lewandowski	6,685,676 B2 *	2/2004	Jansen et al. ....	604/192

\* cited by examiner

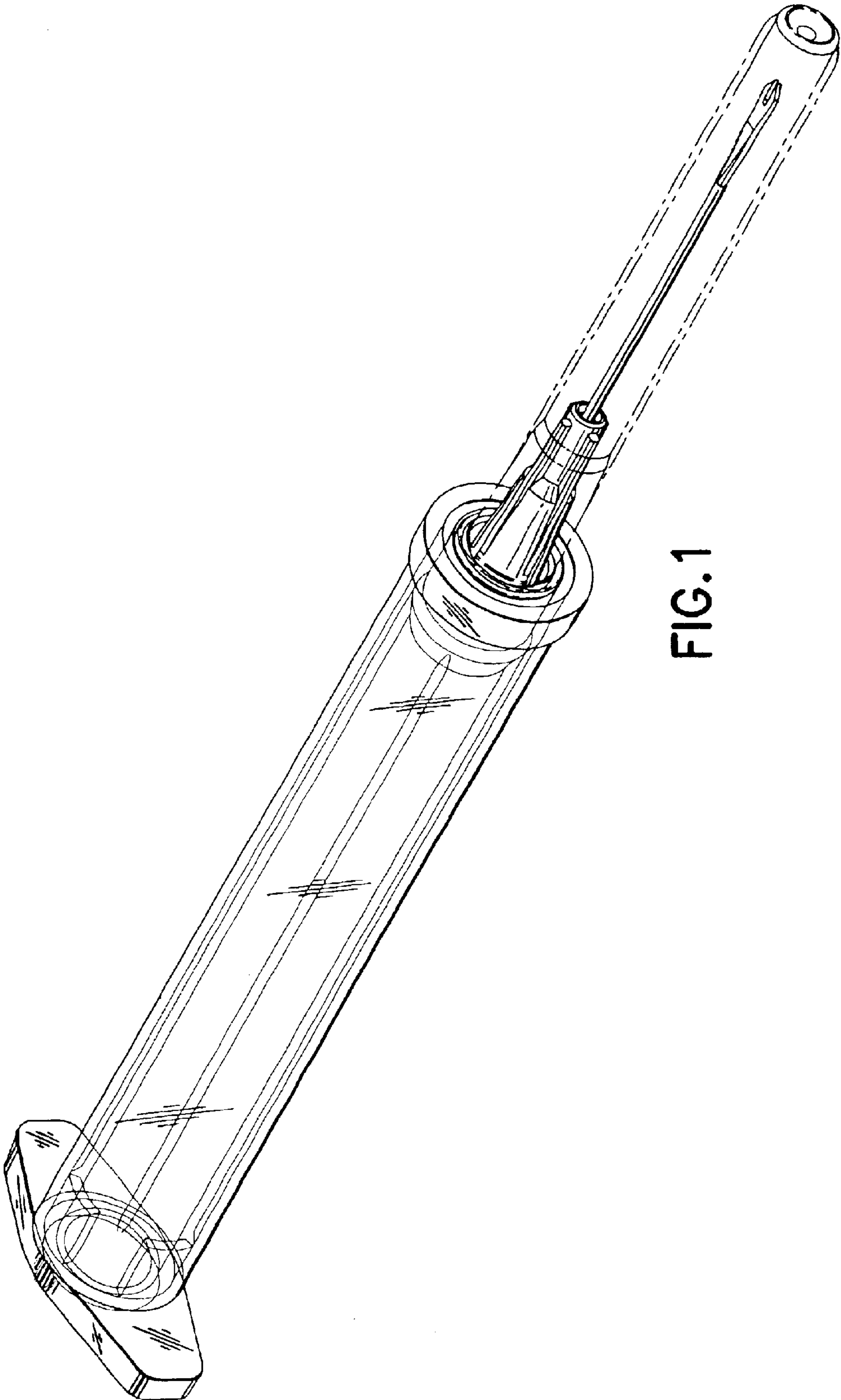


FIG. 1

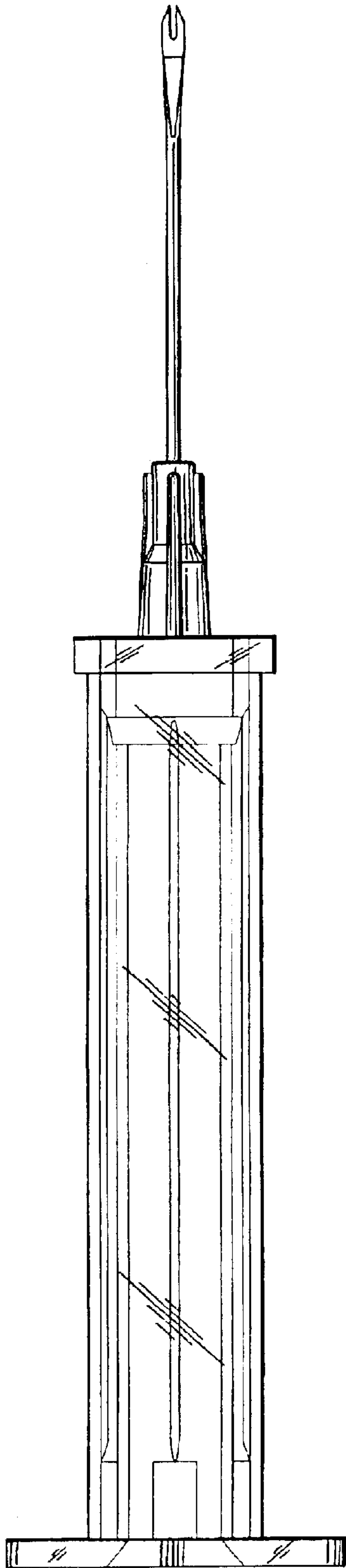


FIG. 2

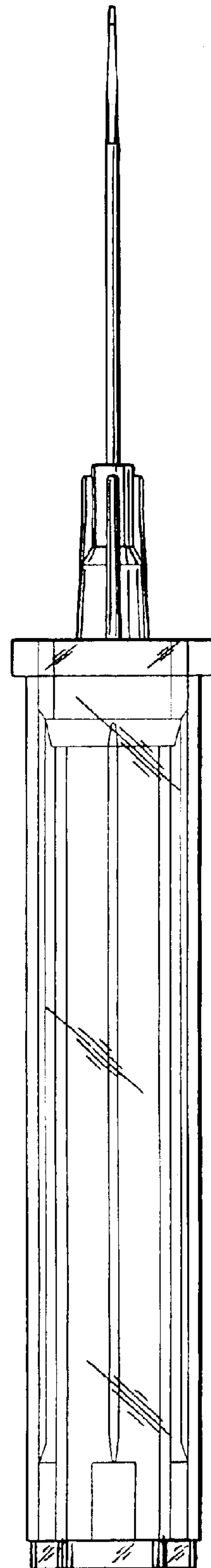
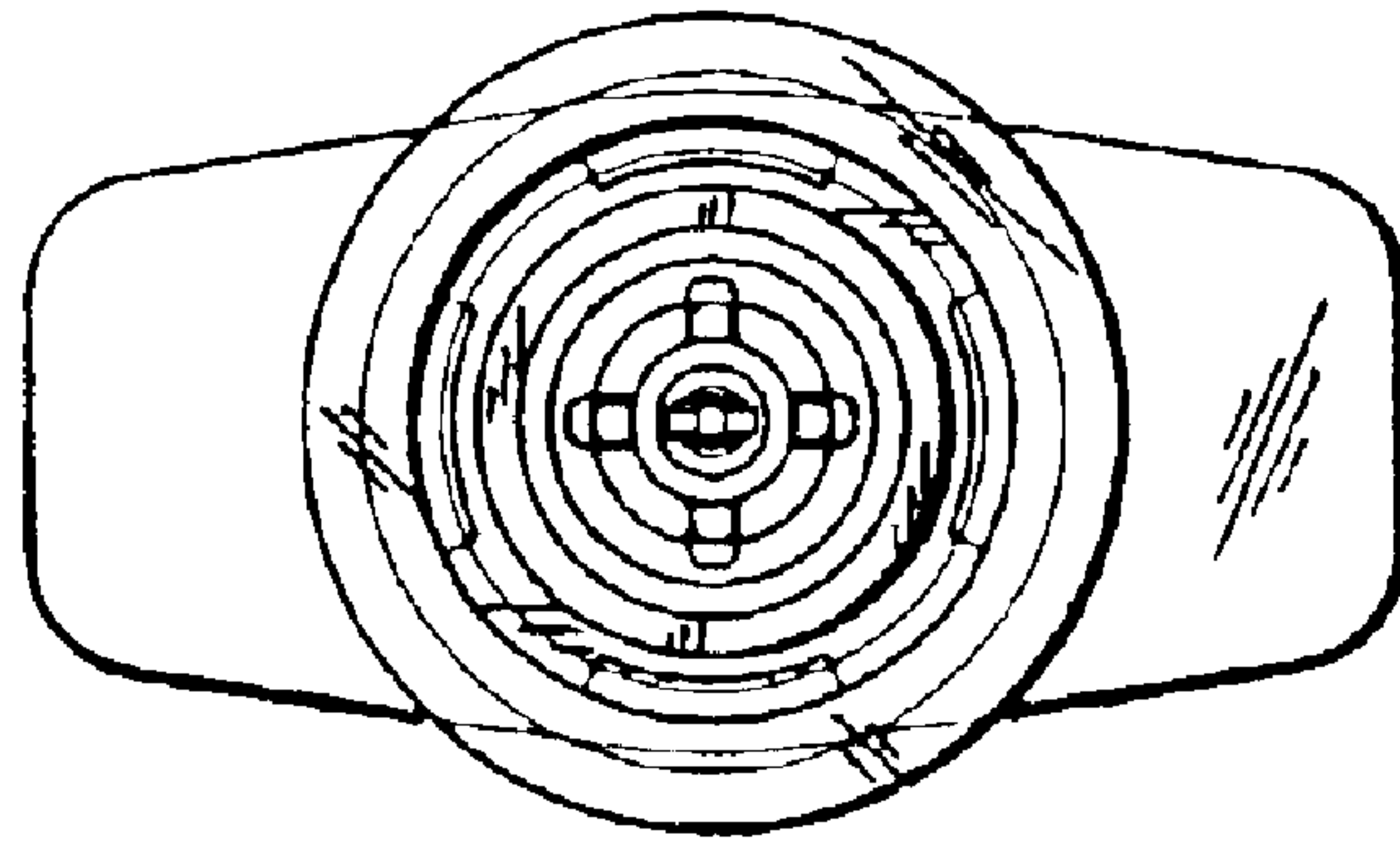
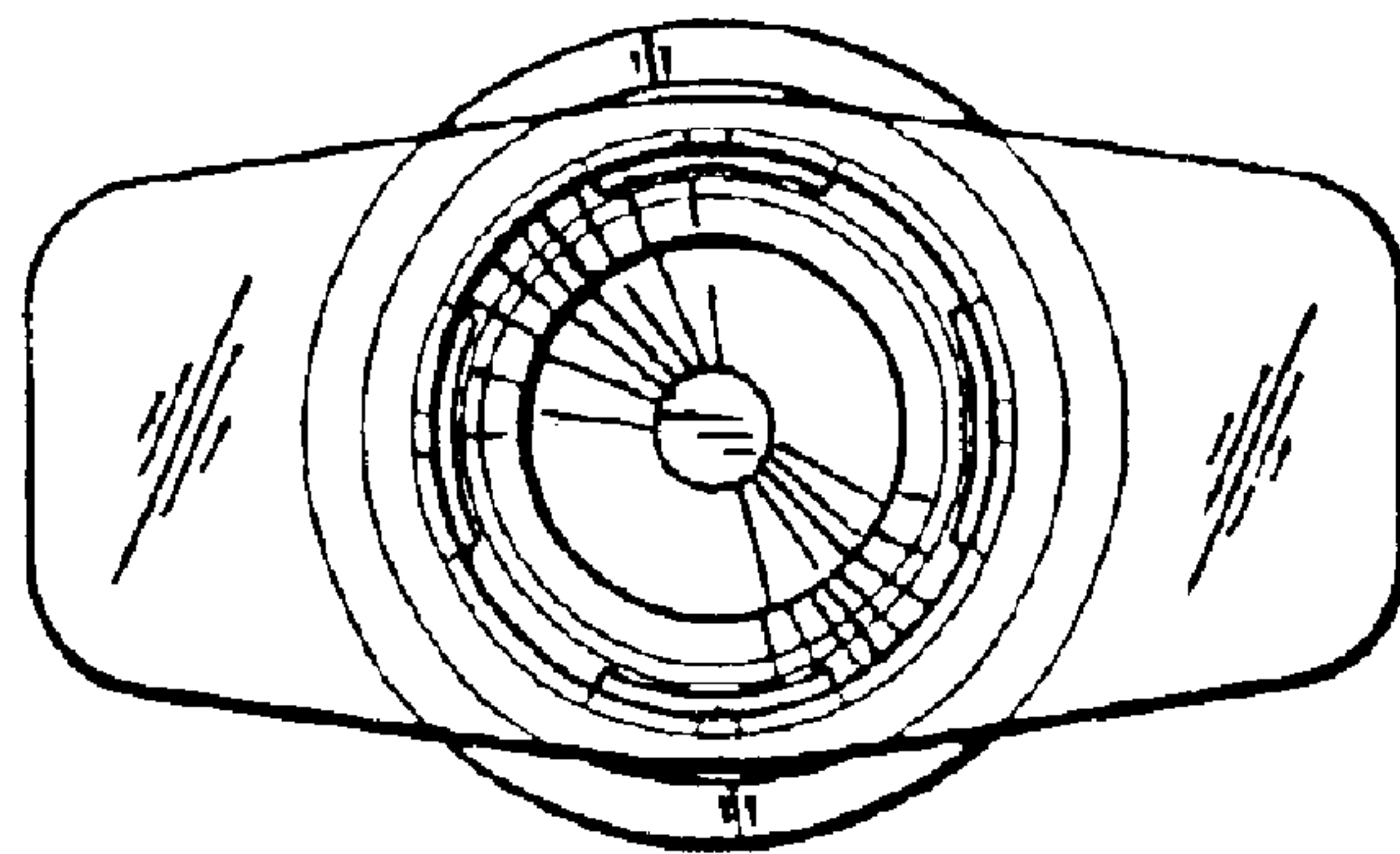


FIG. 3



**FIG. 4**



**FIG. 5**



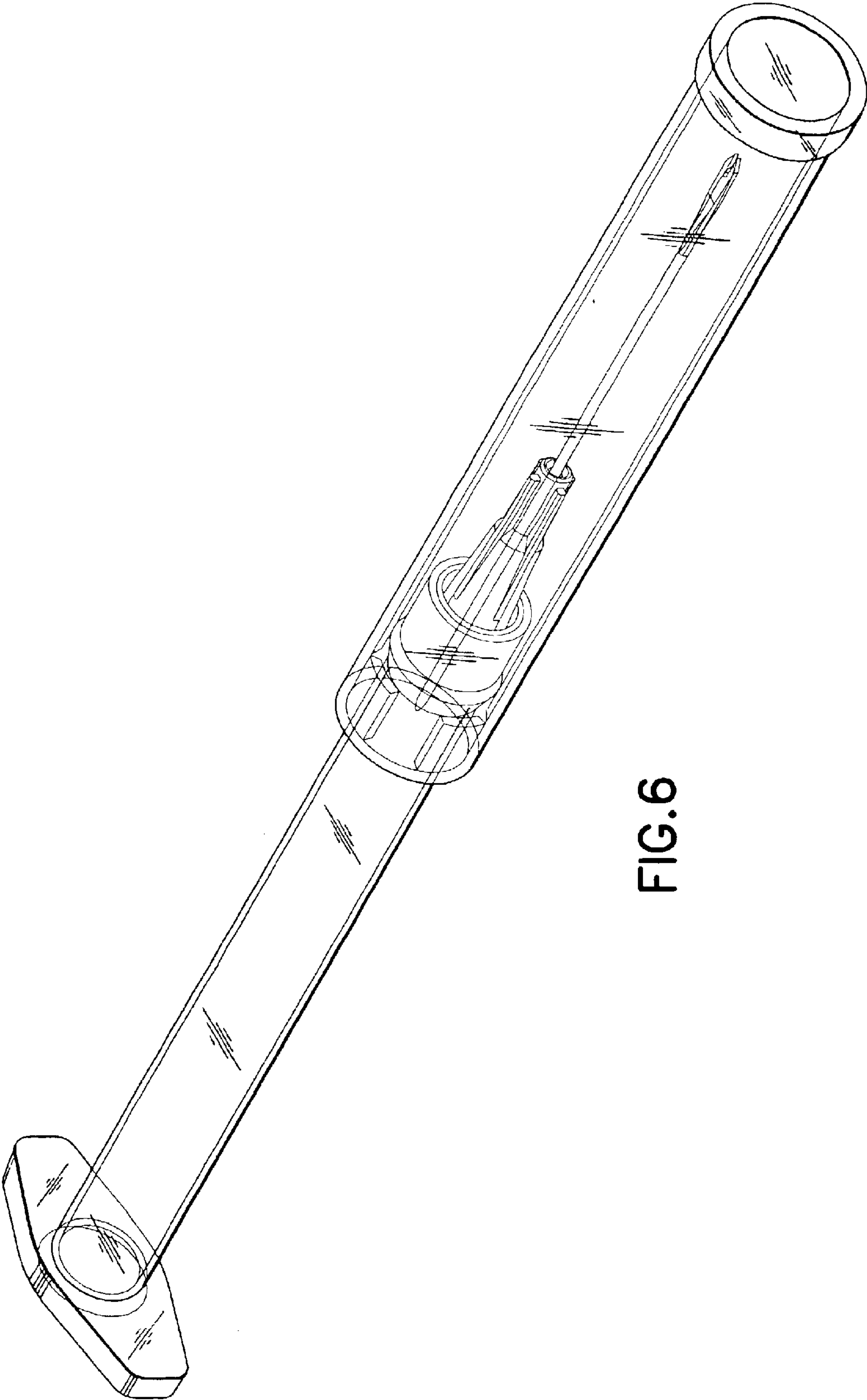


FIG.6

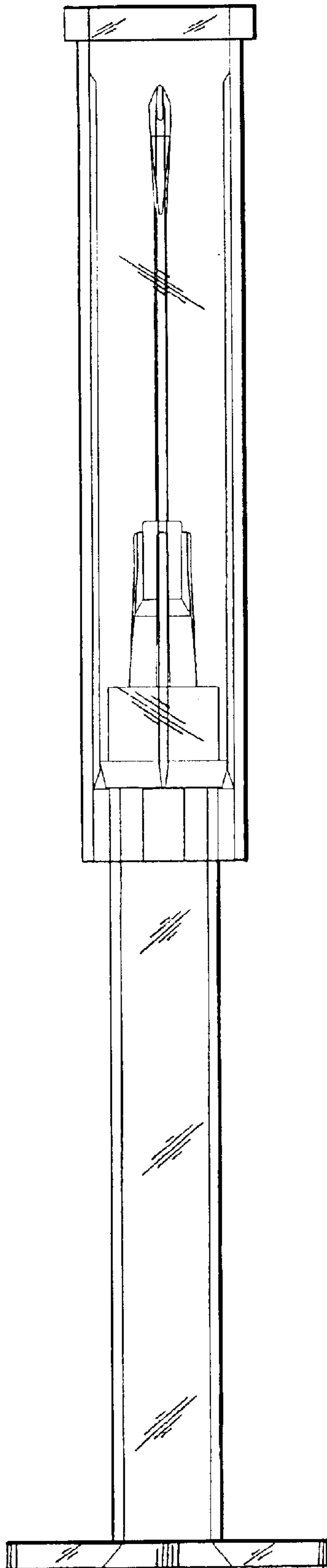


FIG. 7

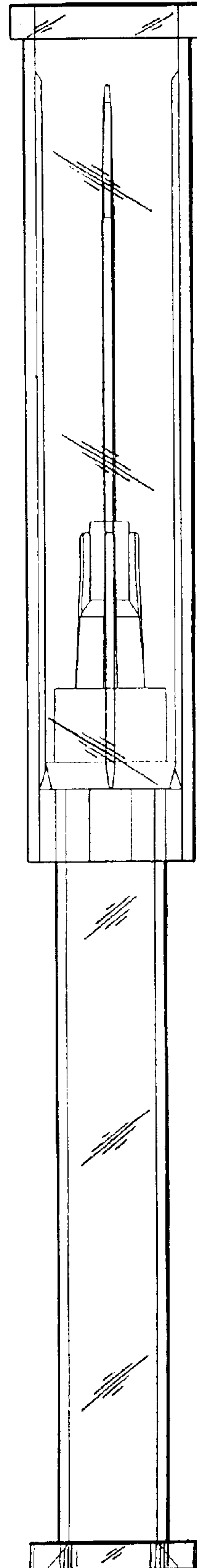


FIG. 8