

US00D492402S1

(12) **United States Design Patent**
Shapiro

(10) **Patent No.:** **US D492,402 S**
(45) **Date of Patent:** **** Jun. 29, 2004**

(54) **CIRCULAR FAN GRILL**

D444,871 S * 7/2001 Wilson, Jr. D23/382
D459,467 S * 6/2002 Wilson, Jr. D23/412

(75) Inventor: **Barry Shapiro**, Doylestown, PA (US)

* cited by examiner

(73) Assignee: **Lasko Holdings, Inc.**, Wilmington, DE (US)

Primary Examiner—Lisa Lichtenstein
(74) *Attorney, Agent, or Firm*—RatnerPrestia

(**) Term: **14 Years**

(57) **CLAIM**

(21) Appl. No.: **29/186,107**

The ornamental design for a circular fan grill, as shown and described.

(22) Filed: **Jul. 9, 2003**

DESCRIPTION

Related U.S. Application Data

(63) Continuation of application No. 29/164,413, filed on Jul. 24, 2002, now Pat. No. Des. 482,779.

(51) **LOC (7) Cl.** **23-04**

(52) **U.S. Cl.** **D23/412**

(58) **Field of Search** D23/370, 381,
D23/382, 411, 412; 416/244 R, 246 R,
247 R

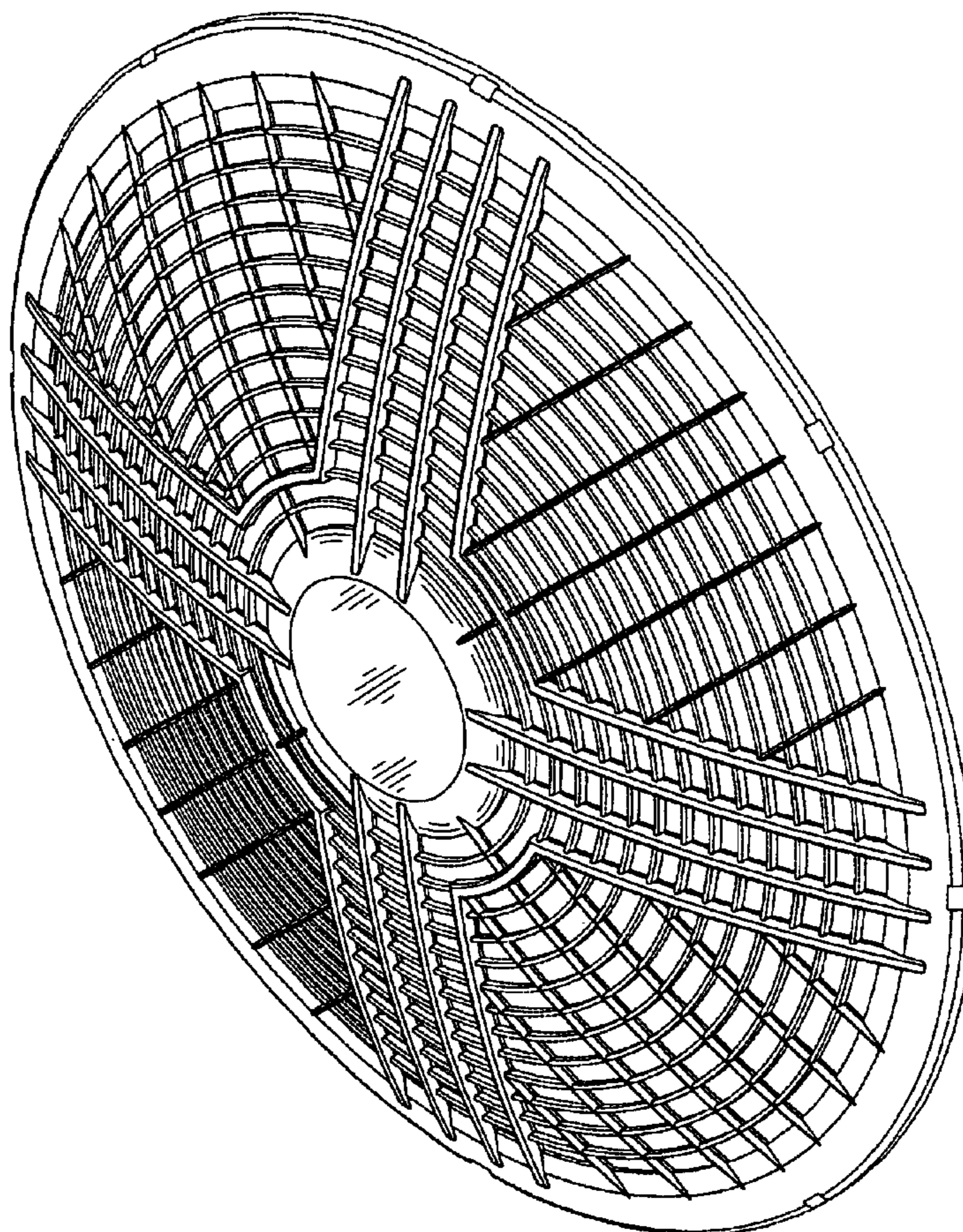
FIG. 1 is a right side front perspective view of a circular fan grill showing my new design;
FIG. 2 is a front elevation view thereof;
FIG. 3 is a side elevation view thereof, the opposite side being a mirror image of that shown;
FIG. 4 is a rear elevation view thereof;
FIG. 5 is an enlarged sectional view taken along line 5—5 of FIG. 2; and,
FIG. 6 is a greatly enlarged partial view of area 6 of FIG. 5. The broken line showing of environmental structure in FIGS. 1–6 is for illustrative purposes only and forms no part of the claimed design.

(56) **References Cited**

U.S. PATENT DOCUMENTS

D395,080 S * 6/1998 Jane et al. D23/382

1 Claim, 4 Drawing Sheets



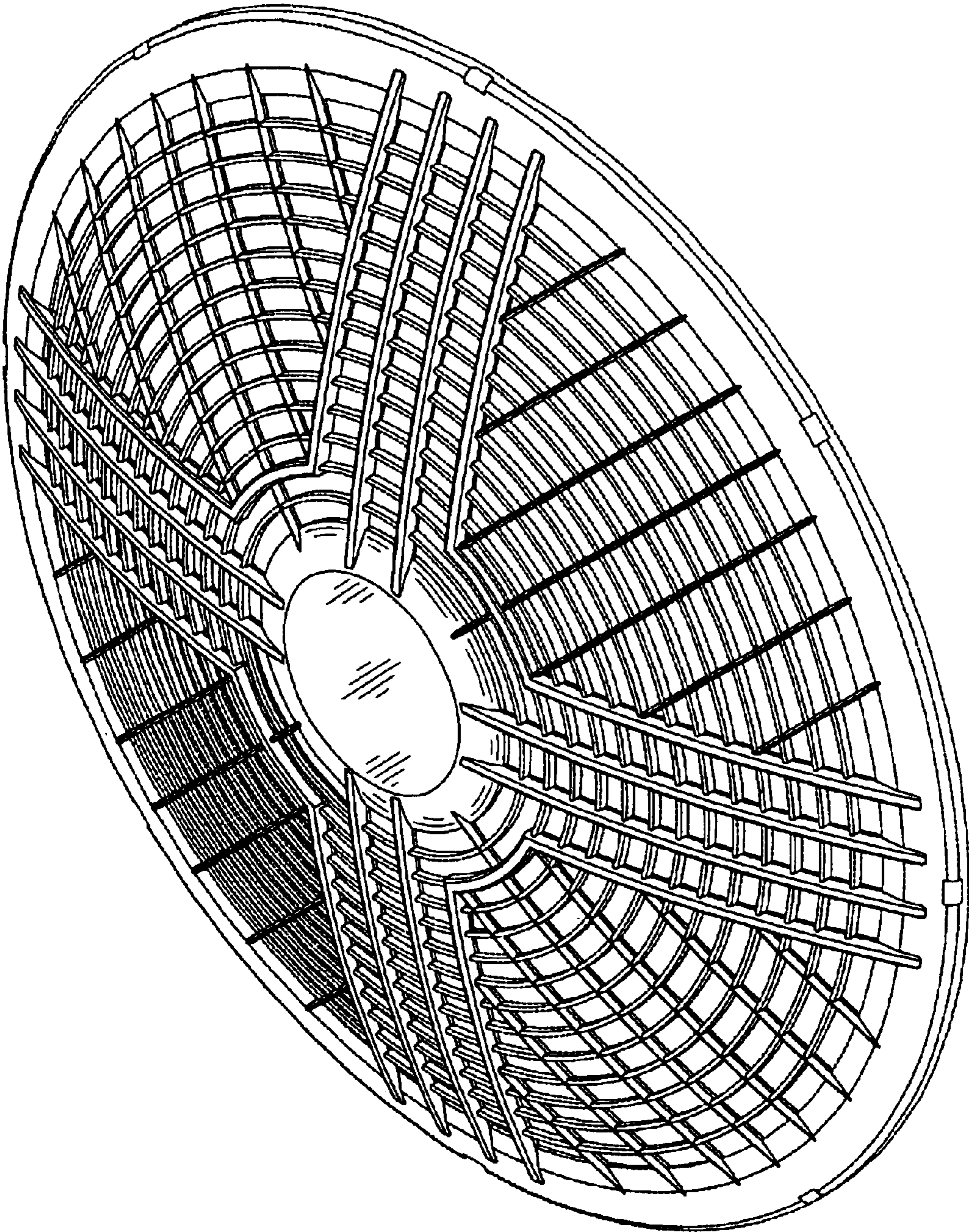


FIG. 1

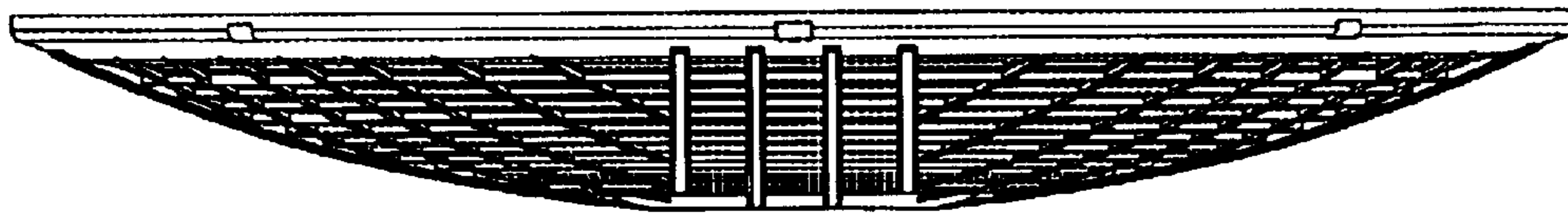


FIG. 3

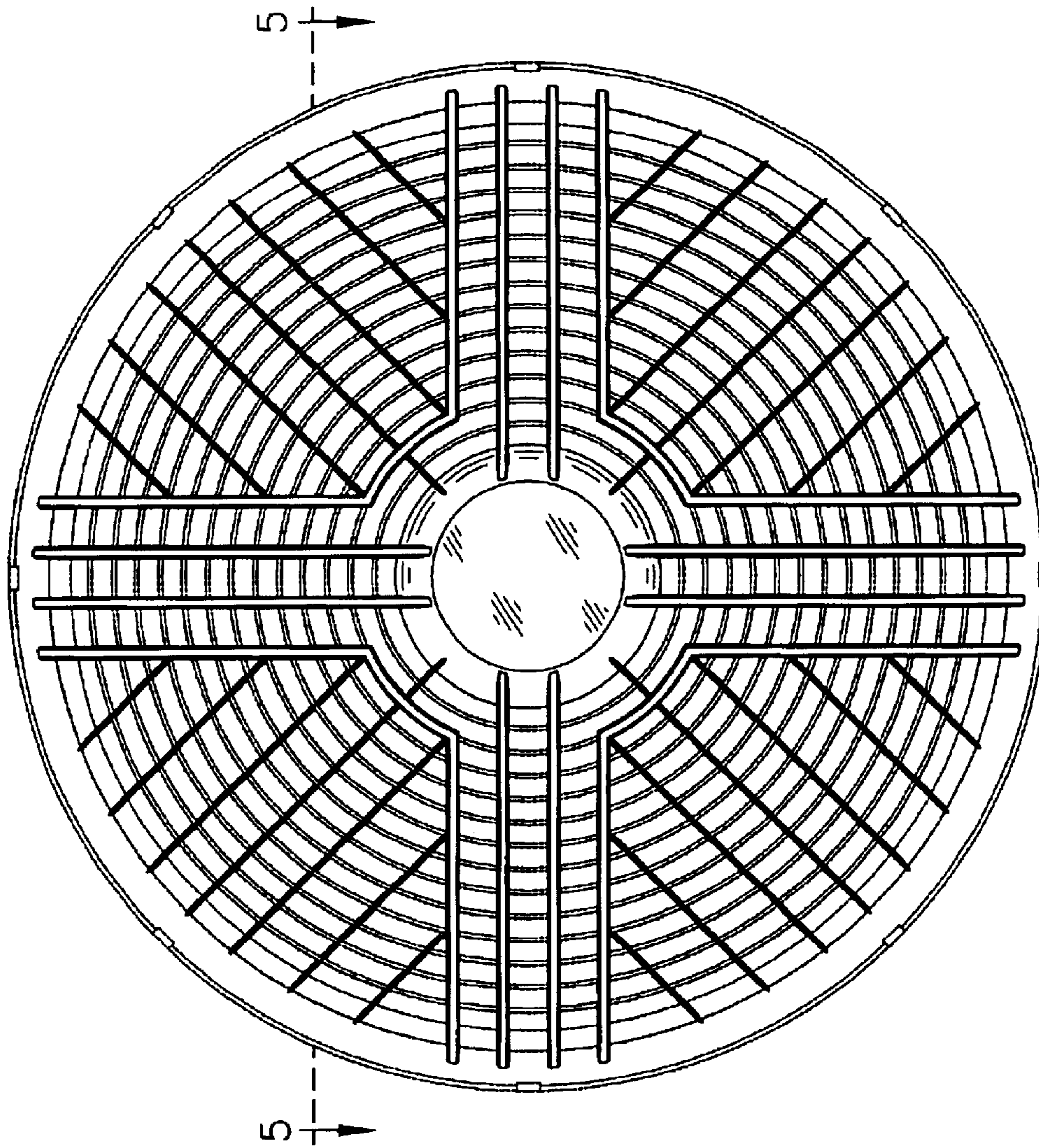


FIG. 2

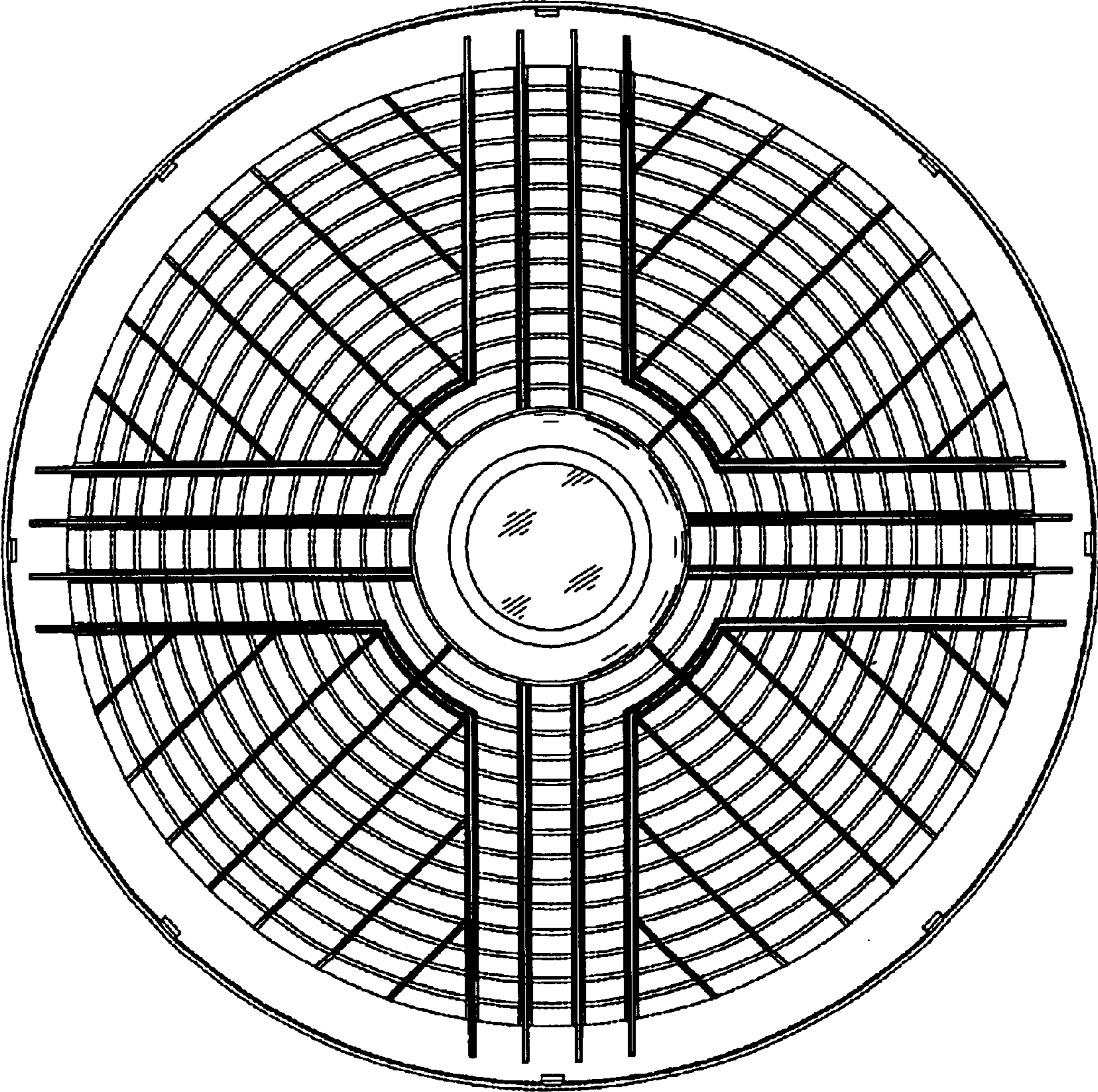


FIG. 4

FIG. 5

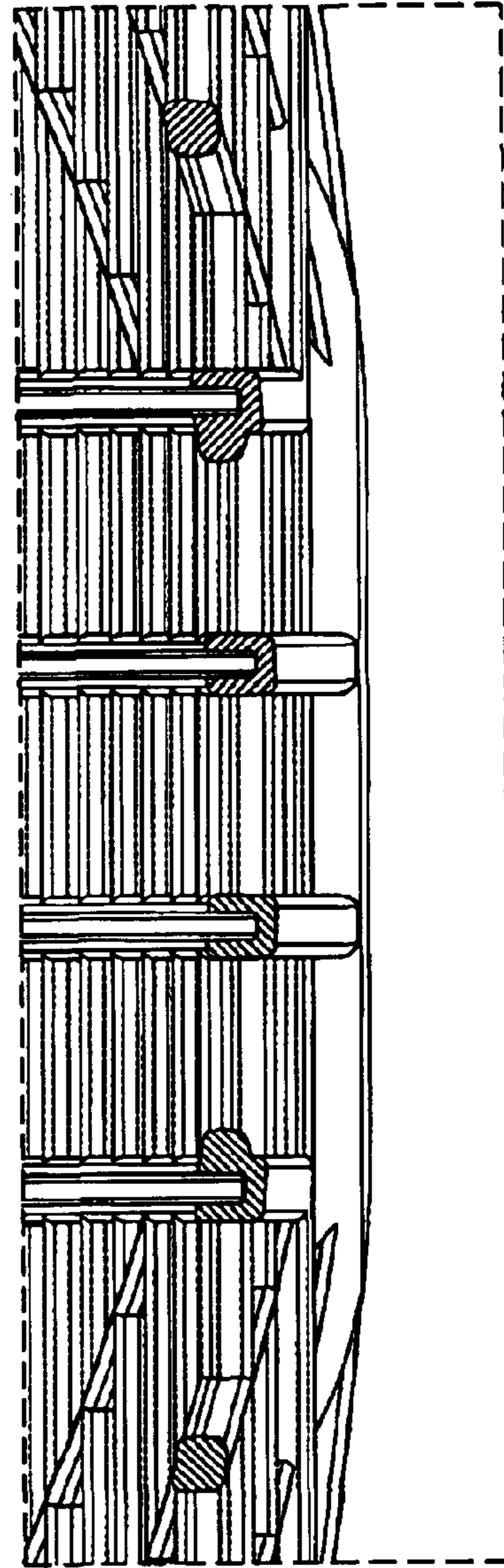
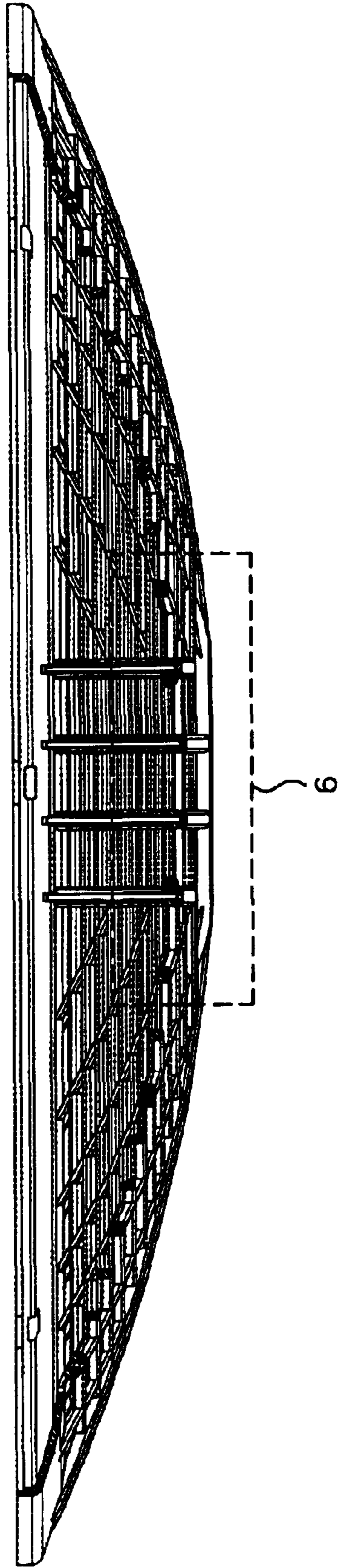


FIG. 6