



US00D492399S1

(12) **United States Design Patent**  
**Jenkinson**

(10) **Patent No.:** **US D492,399 S**  
(45) **Date of Patent:** **\*\* Jun. 29, 2004**

(54) **CLIP FOR CPAP HUMIDIFIER TUB**

(75) Inventor: **Philip J. Jenkinson**, Epping (AU)

(73) Assignee: **ResMed Limited**, North Ryde (AU)

(\*\*) Term: **14 Years**

(21) Appl. No.: **29/179,111**

(22) Filed: **Apr. 7, 2003**

(30) **Foreign Application Priority Data**

Dec. 6, 2002 (AU) ..... 3819/2002

(51) **LOC (7) Cl.** ..... **23-04**

(52) **U.S. Cl.** ..... **D23/356; D8/395**

(58) **Field of Search** ..... **D23/356; D8/394,**  
**D8/395; 24/191, 455, 68 R**

(56) **References Cited**

**U.S. PATENT DOCUMENTS**

- 5,852,852 A \* 12/1998 Rigal ..... 24/68 R
- D406,171 S \* 2/1999 Wolff ..... D19/65
- D412,343 S \* 7/1999 Offenbauer ..... D19/65
- D414,102 S \* 9/1999 Lu ..... D8/394
- D478,628 S \* 8/2003 Sheldon et al. .... D19/65

\* cited by examiner

*Primary Examiner*—Robin V. Taylor

(74) *Attorney, Agent, or Firm*—Nixon & Vanderhye P.C.

(57) **CLAIM**

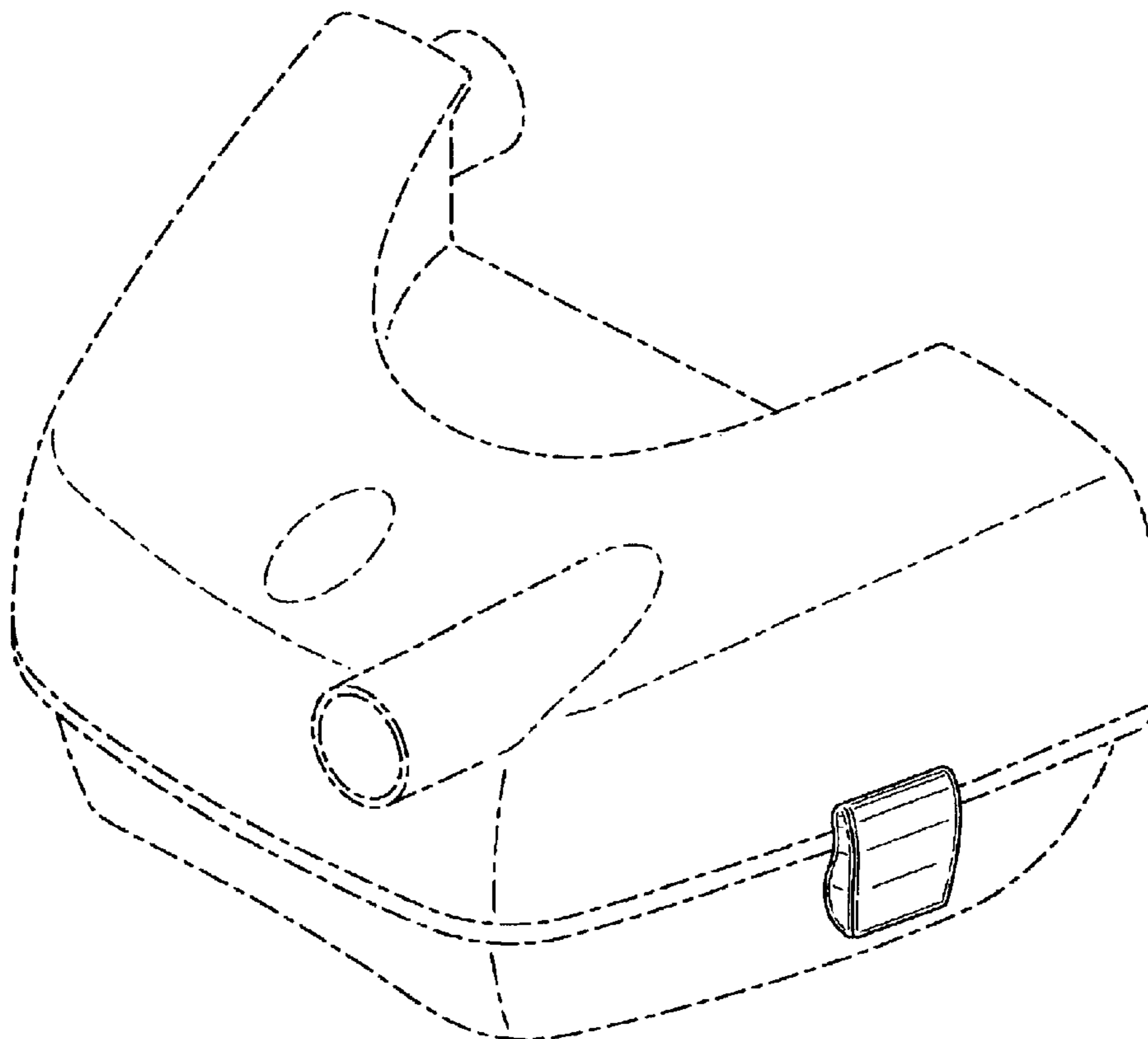
The ornamental design for a clip for CPAP humidifier tub, as shown and described.

**DESCRIPTION**

FIG. 1 is a front view of a clip for use with a CPAP humidifier tub according to a first embodiment of my design; FIG. 2 is a right side view thereof; FIG. 3 is a rear view thereof; FIG. 4 is a bottom perspective view thereof; FIG. 5 is a top view thereof; FIG. 6 is a rear perspective view thereof; FIG. 7 is a front perspective view thereof; FIG. 8 is a perspective view of the clip in a coupled position with respect to the humidifier tub; FIG. 9 is a perspective view of a clip in an uncoupled position with respect to the humidifier tub; and, FIG. 10 is a rear perspective view of the clip's connection to the humidifier tub.

The dashed lines shown in FIGS. 1–10 disclose unclaimed subject matter, are for environmental purposes only, and thus form no part of the claimed design.

**1 Claim, 5 Drawing Sheets**



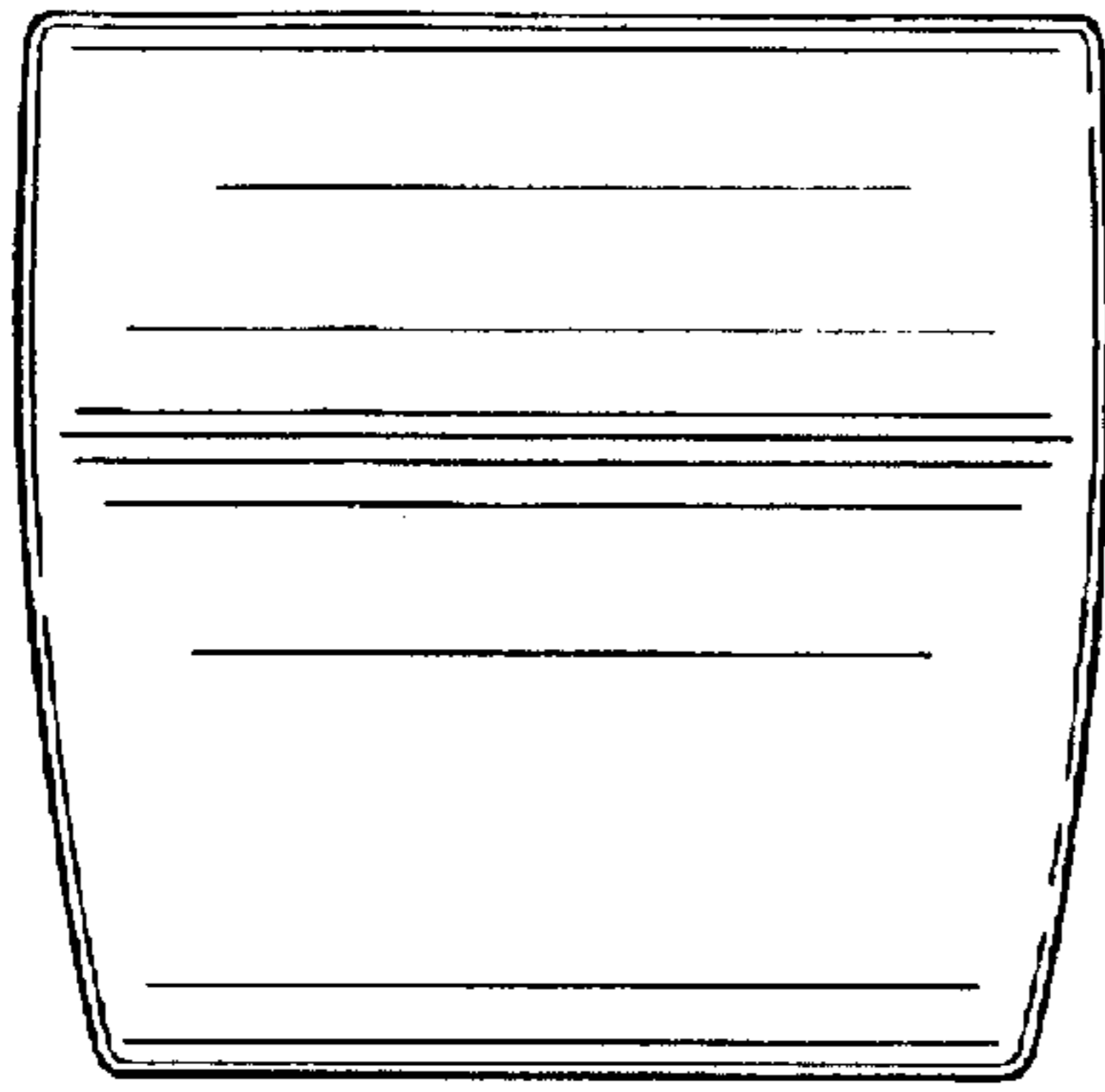


FIG. 1

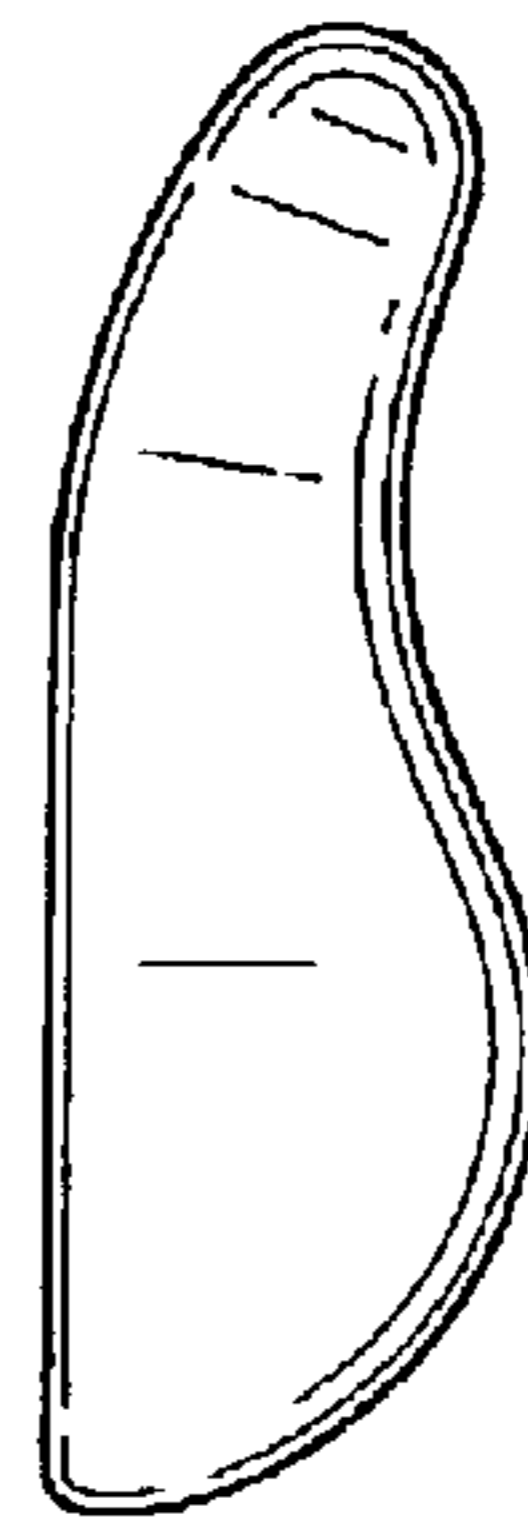


FIG. 2

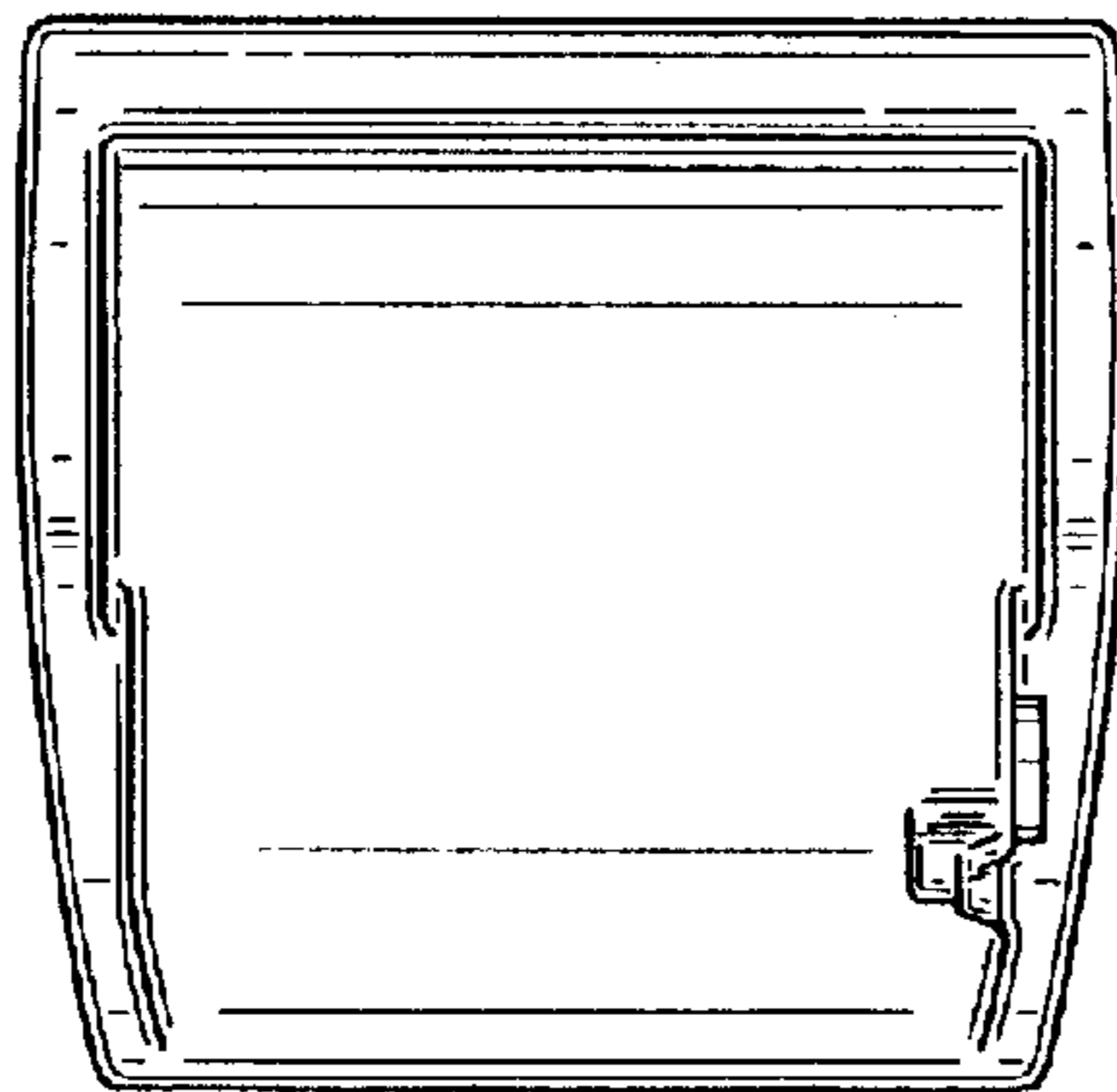


FIG. 3

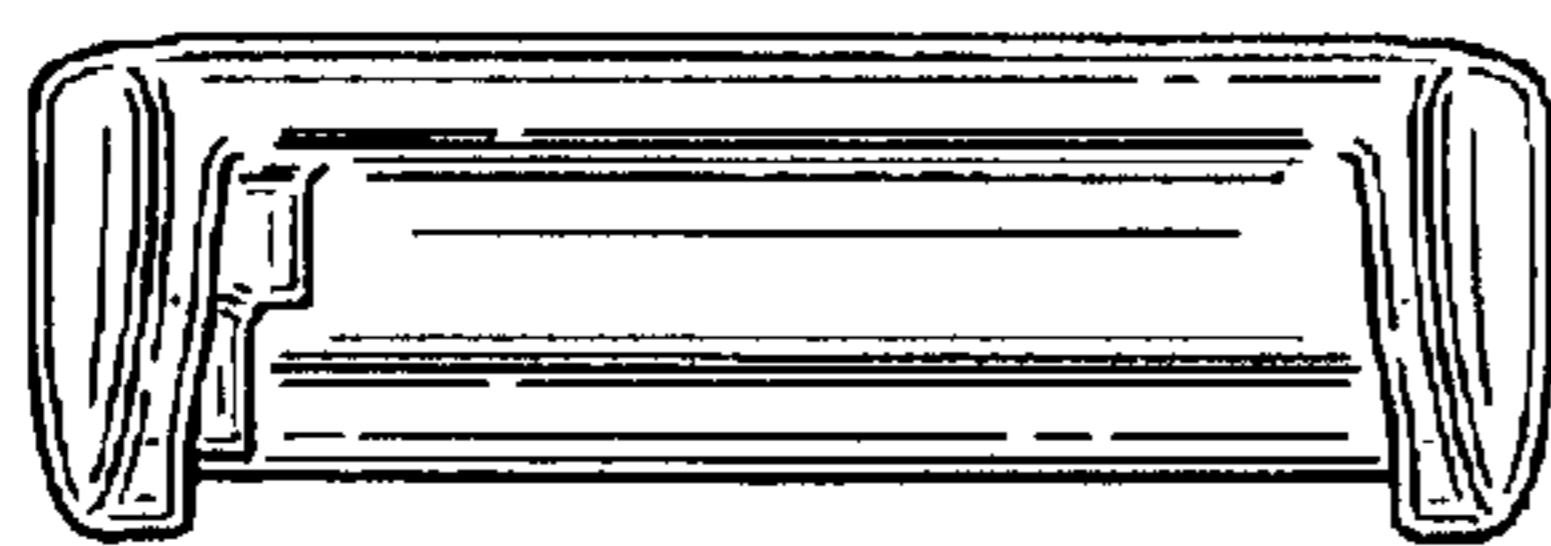


FIG. 4

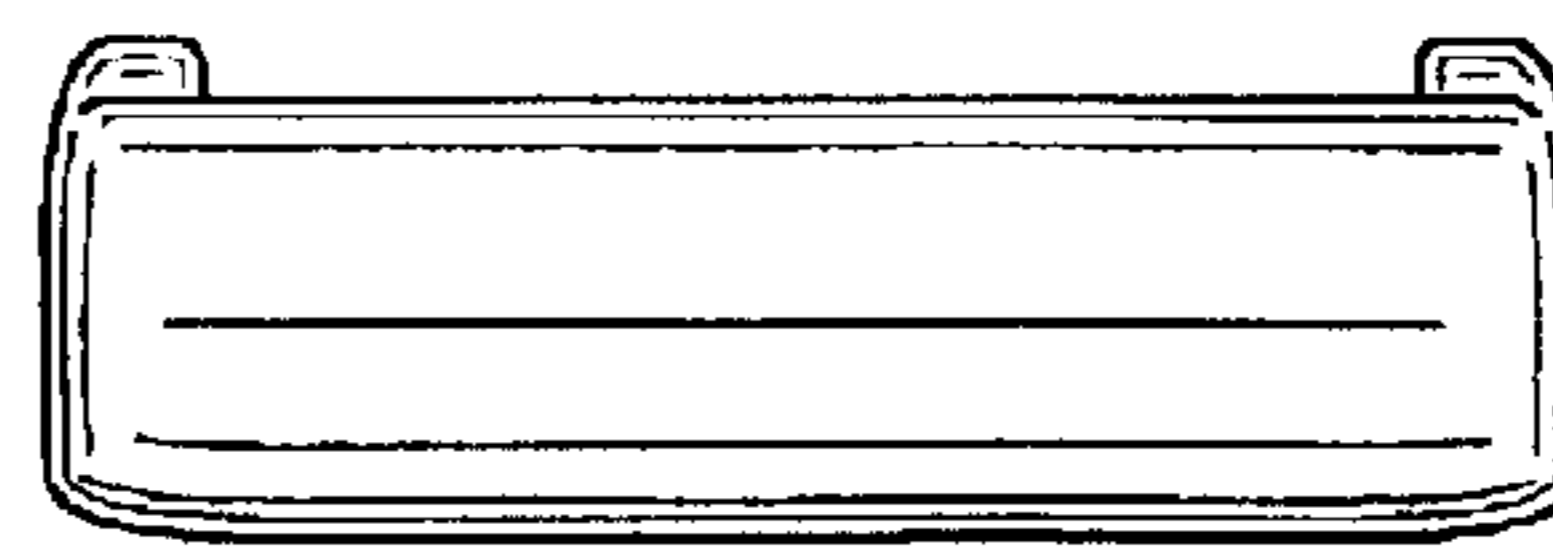


FIG. 5

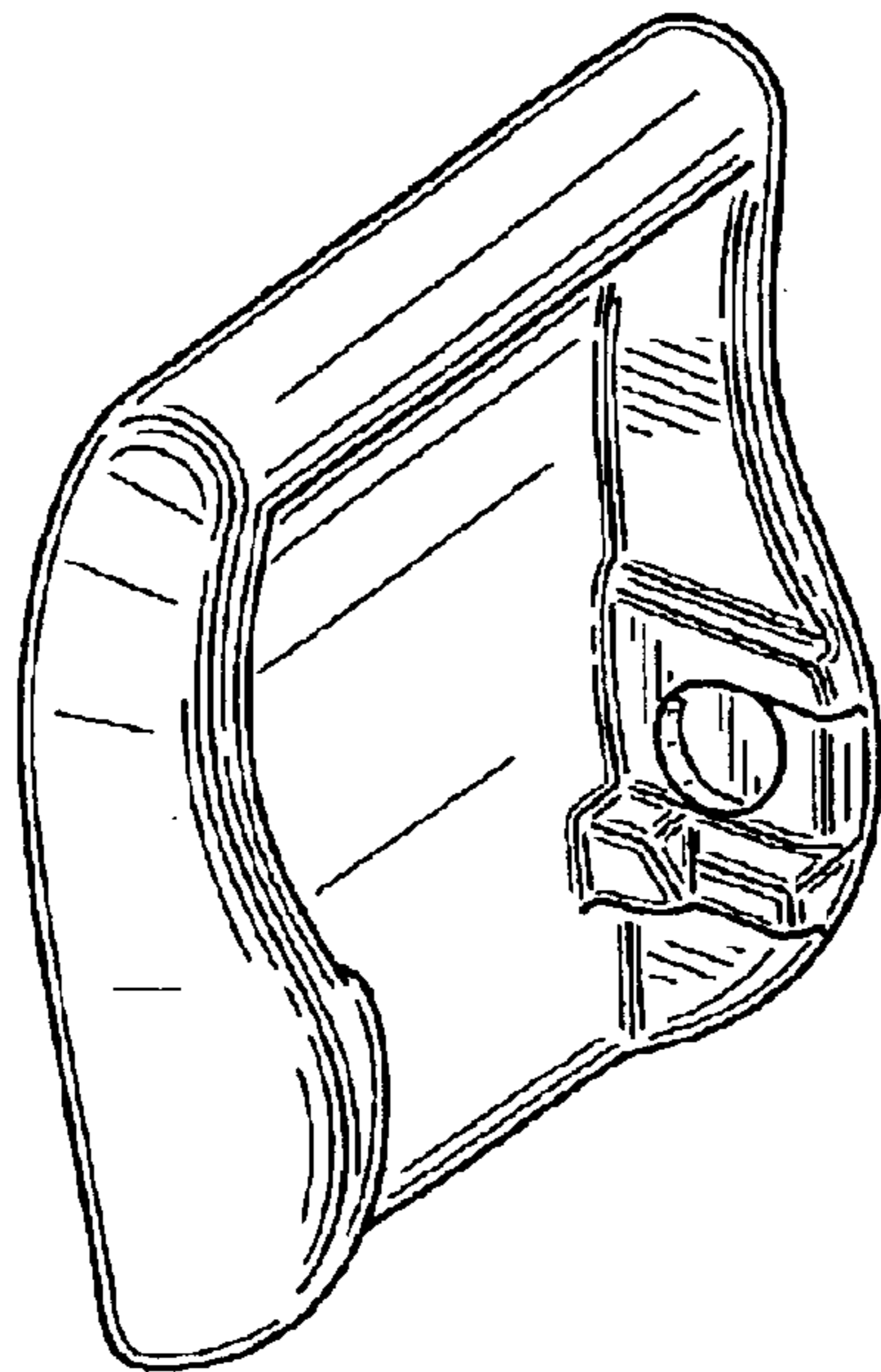


FIG. 6

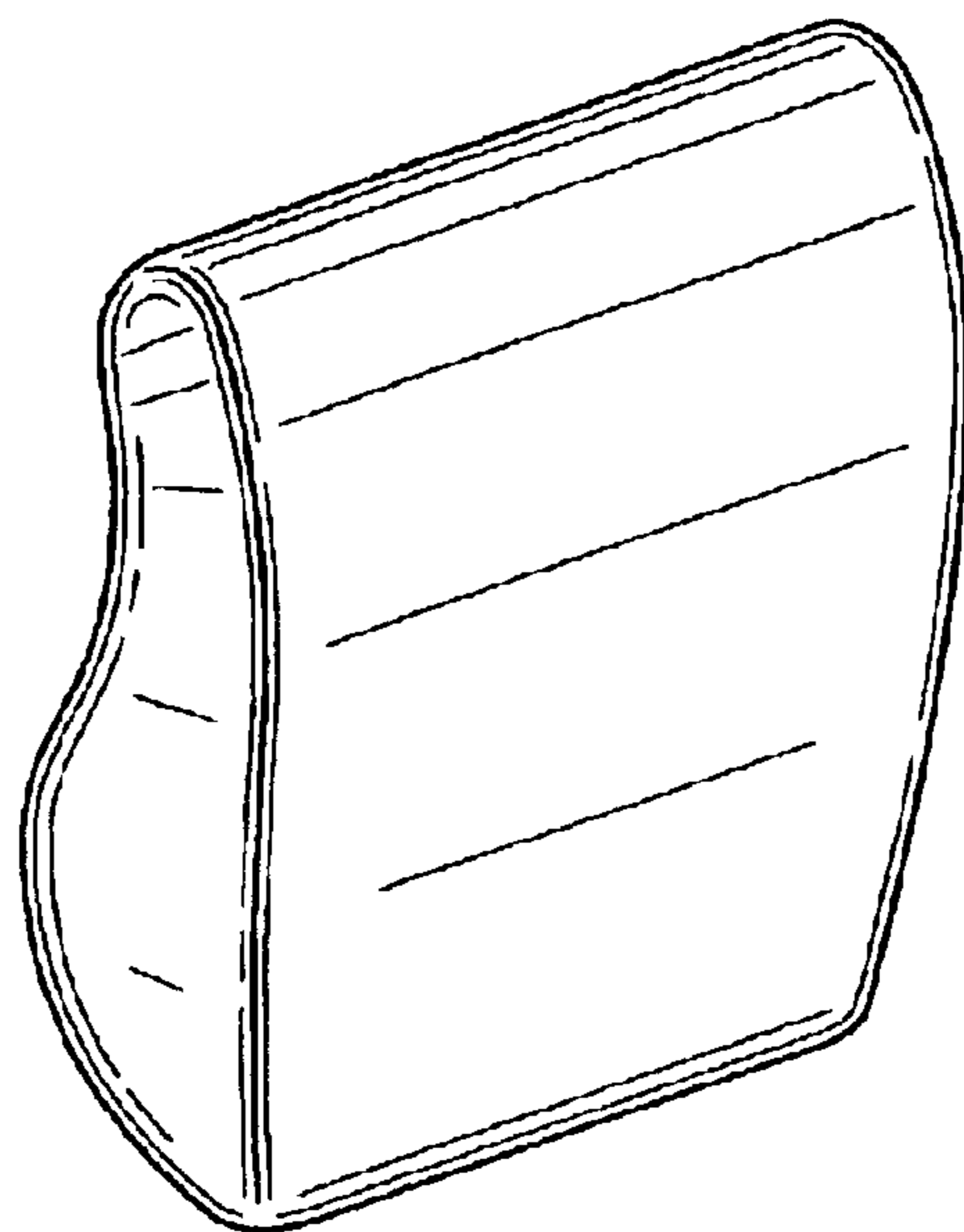


FIG. 7

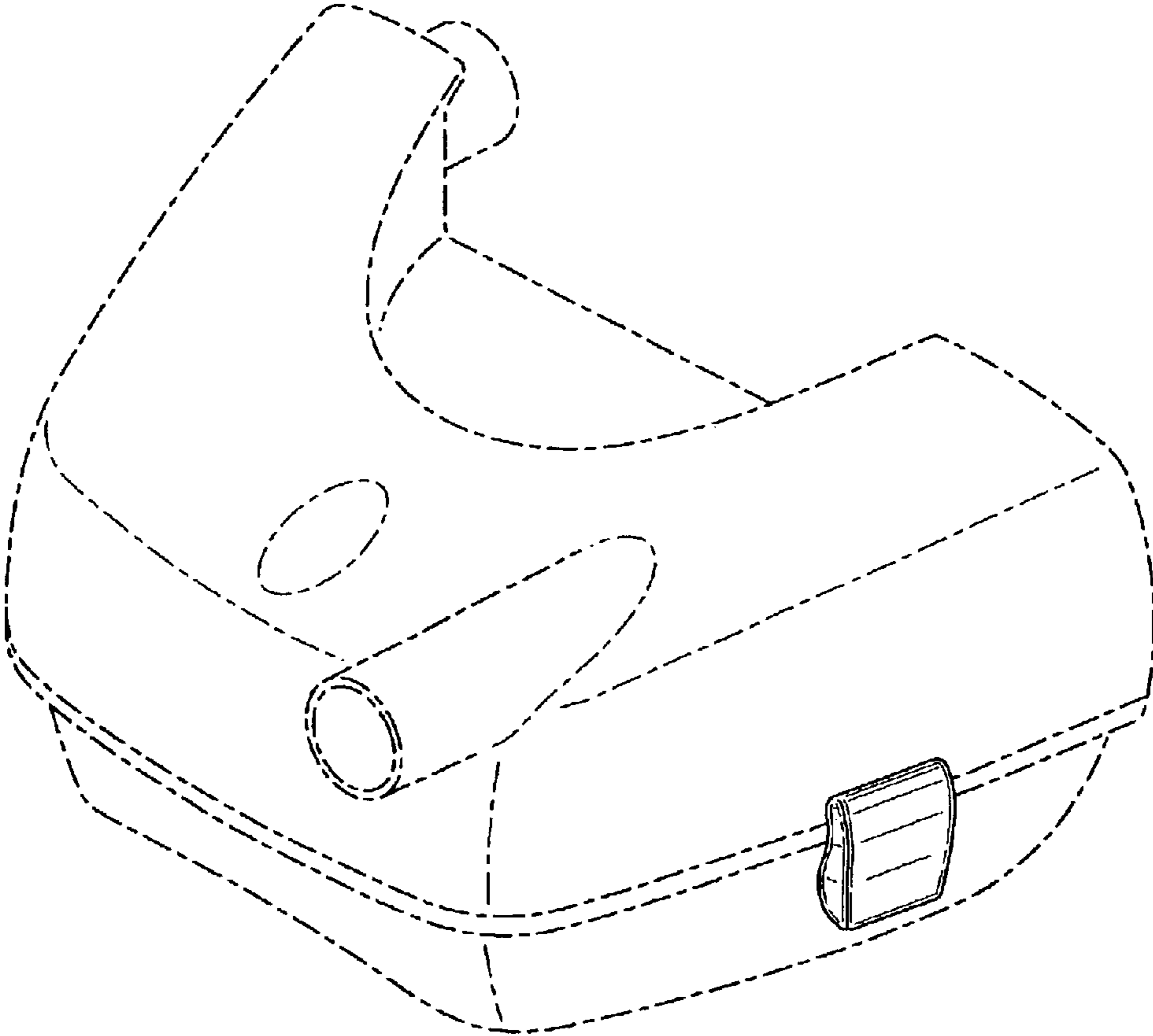


FIG. 8

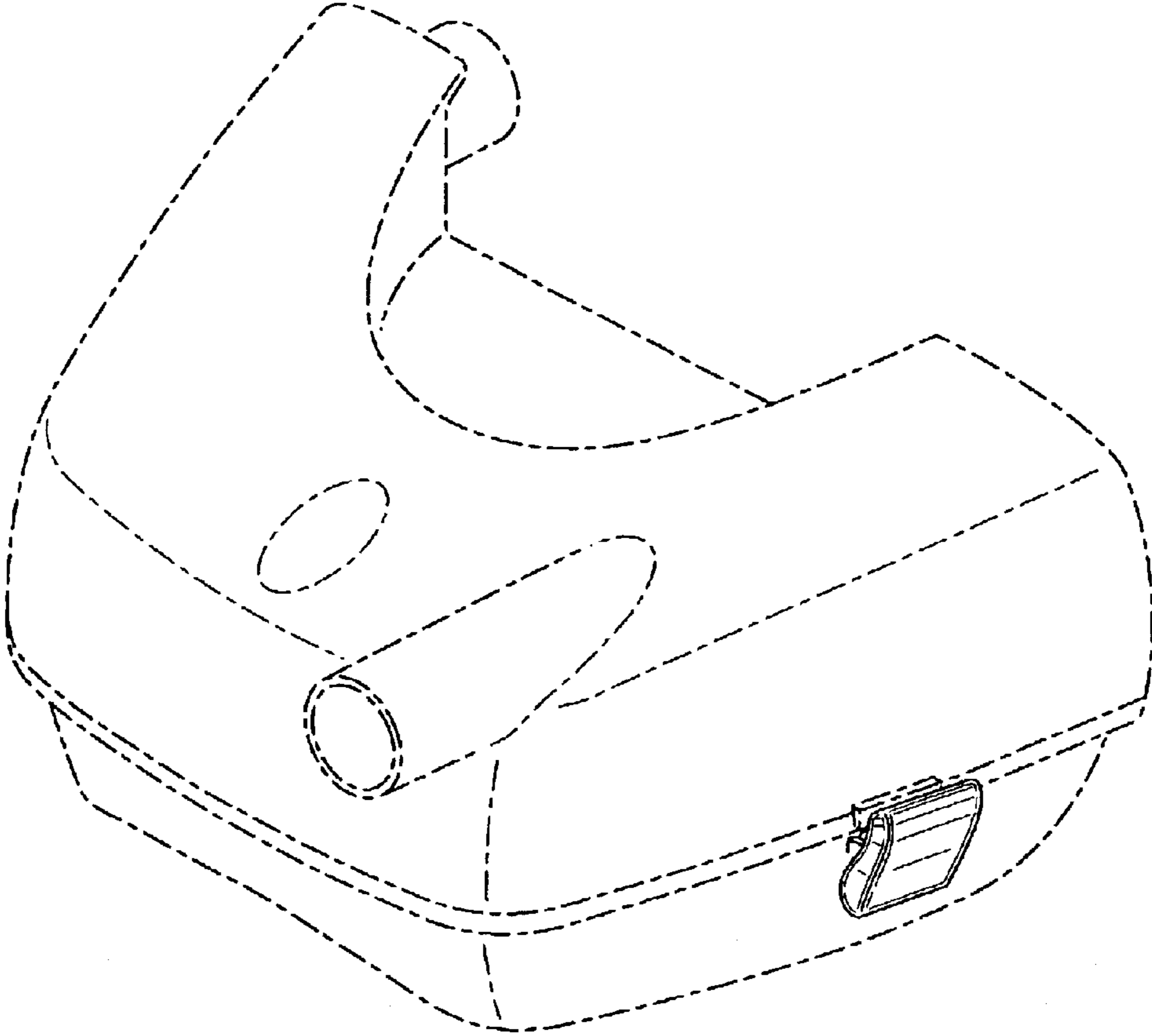


FIG. 9

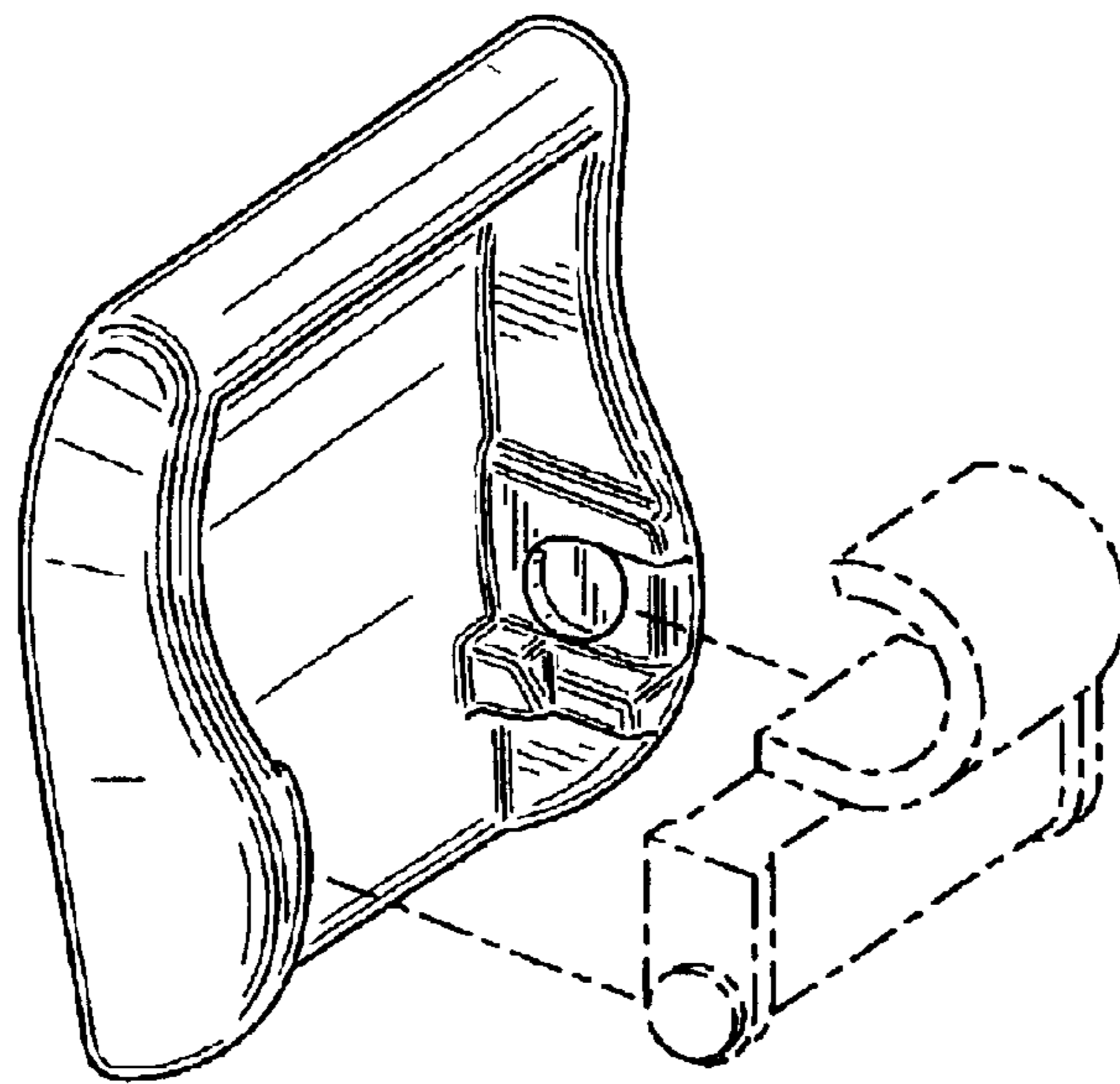


FIG. 10