

US00D492397S1

(12) **United States Design Patent** (10) **Patent No.:** **US D492,397 S**
Bayer (45) **Date of Patent:** **** Jun. 29, 2004**

(54) **SINK**
 (75) Inventor: **Michelle E. Bayer**, Benton Harbor, MI (US)
 (73) Assignee: **Kohler Co.**, Kohler, WI (US)
 (**) Term: **14 Years**
 (21) Appl. No.: **29/179,541**
 (22) Filed: **Apr. 10, 2003**
 (51) **LOC (7) Cl.** **23-02**
 (52) **U.S. Cl.** **D23/293.1**
 (58) **Field of Search** D23/270-271,
 D23/273, 284-285, 290-292, 293.1, 303,
 308; 4/664-665, 619, 522, 623-624, 639-642,
 650-651, 660-661

(56) **References Cited**

U.S. PATENT DOCUMENTS

300,983 A	6/1884	Kilbourne	
D58,152 S	* 6/1921	Maganuco D23/293.1
5,325,548 A	7/1994	Forbes et al. 4/638
D391,353 S	* 2/1998	McKeone D23/284
5,819,335 A	10/1998	Hennessy 4/619
D468,815 S	1/2003	Kahle et al. D23/284

* cited by examiner

Primary Examiner—Louis S. Zarfaz
Assistant Examiner—Robert A Delehanty
 (74) *Attorney, Agent, or Firm*—Quarles & Brady LLP

(57) **CLAIM**

The ornamental design for a sink, as shown and described.

DESCRIPTION

FIG. 1 is a left, top, front perspective view of a sink embodying my new design;
 FIG. 2 is a top plan view thereof;
 FIG. 3 is a front elevational view thereof, the rear elevational view thereof being identical to the front elevational view shown;

FIG. 4 is a left side elevational view thereof, the right side elevational view thereof being identical to the left side shown;
 FIG. 5 is a bottom plan view thereof;
 FIG. 6 is a left, top, front perspective view of a second embodiment;
 FIG. 7 is a top plan view thereof;
 FIG. 8 is a front elevational view thereof, the rear elevational view thereof being identical to the front elevational view shown;
 FIG. 9 is a left side elevational view thereof, the right side elevational view thereof being identical to the left side shown;
 FIG. 10 is a bottom plan view thereof;
 FIG. 11 is a left, top, front perspective view of a third embodiment;
 FIG. 12 is a top plan view thereof;
 FIG. 13 is a front elevational view thereof, the rear elevational view thereof being identical to the front elevational view shown;
 FIG. 14 is a left side elevational view thereof, the right side elevational view thereof being identical to the left side shown;
 FIG. 15 is a bottom plan view thereof;
 FIG. 16 is a left, top, front perspective view of a fourth embodiment;
 FIG. 17 is a top plan view thereof;
 FIG. 18 is a front elevational view thereof, the rear elevational view thereof being identical to the front elevational view shown;
 FIG. 19 is a bottom plan view thereof; and,
 FIG. 20 is a left side elevational view thereof, the right side elevational view thereof being identical to the left side shown.
 The broken line representations of a sound deadening pad in FIGS. 1, 3, 5, 6, 8, 10, 11, 13, 15, 16, 18, and 19 are for the purpose of illustration only, and form no part of the claimed design.

1 Claim, 11 Drawing Sheets

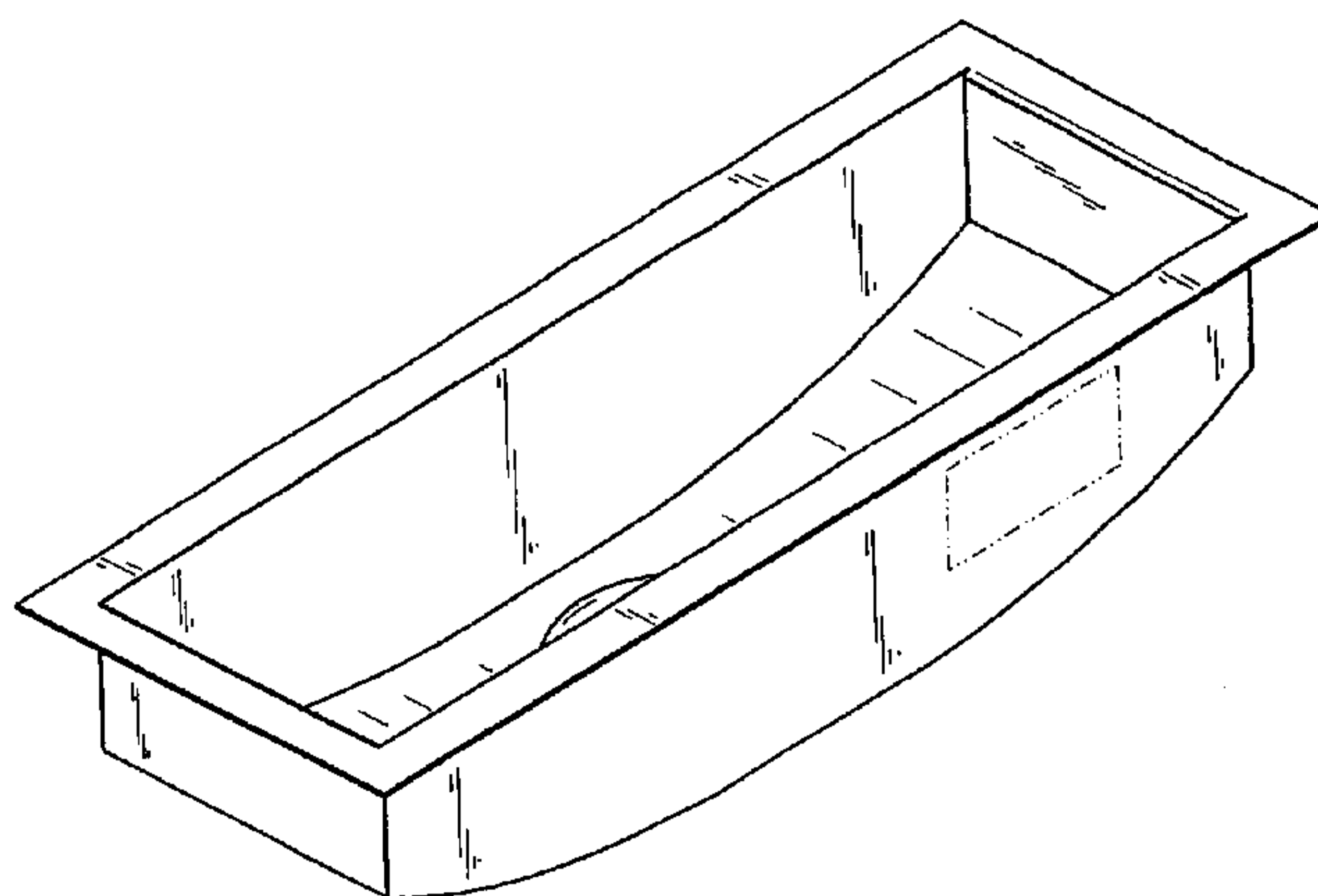


FIG. 1

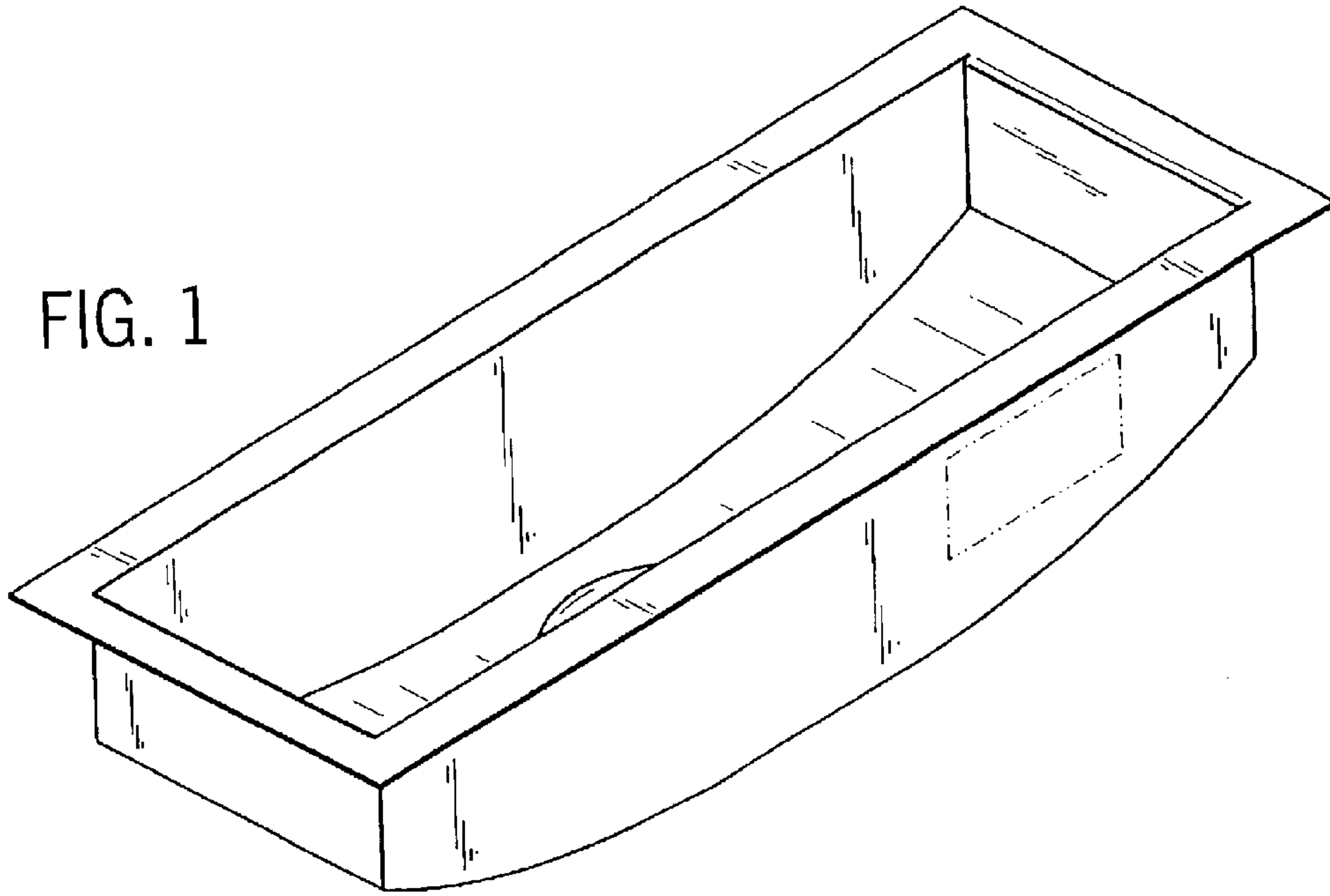


FIG. 2

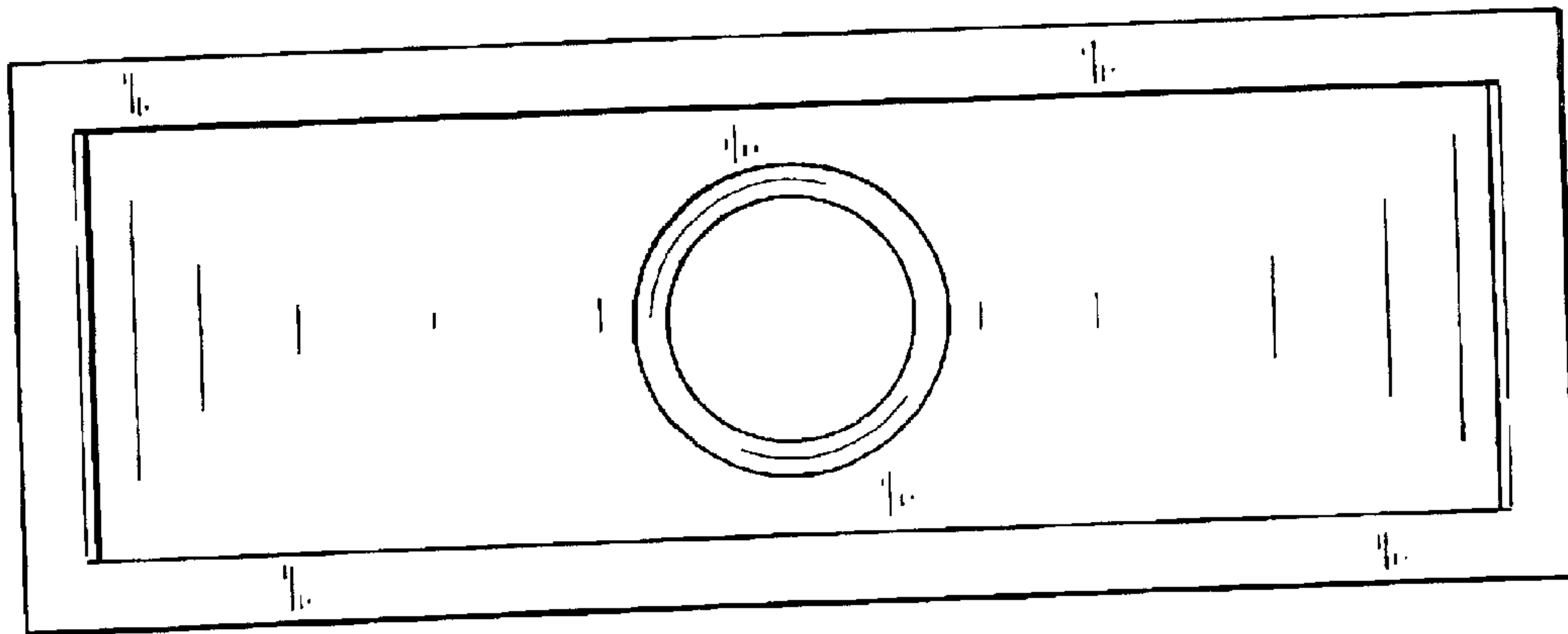


FIG. 3

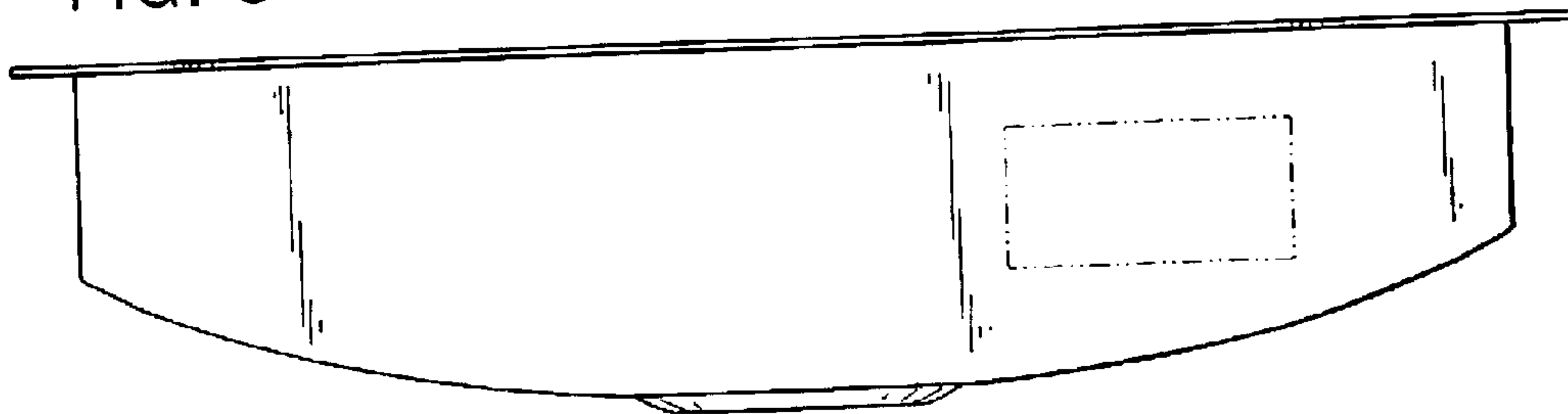


FIG. 4

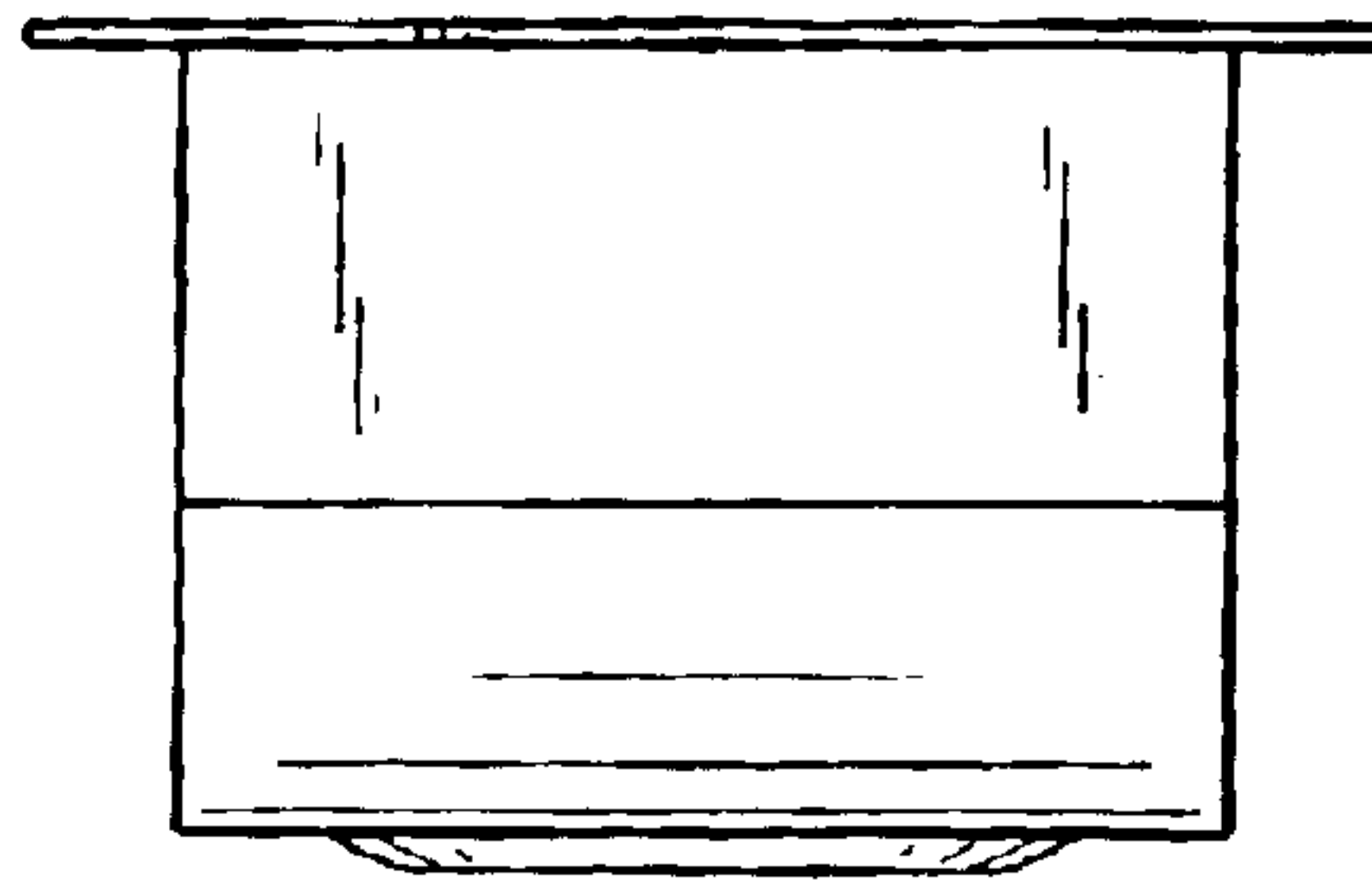
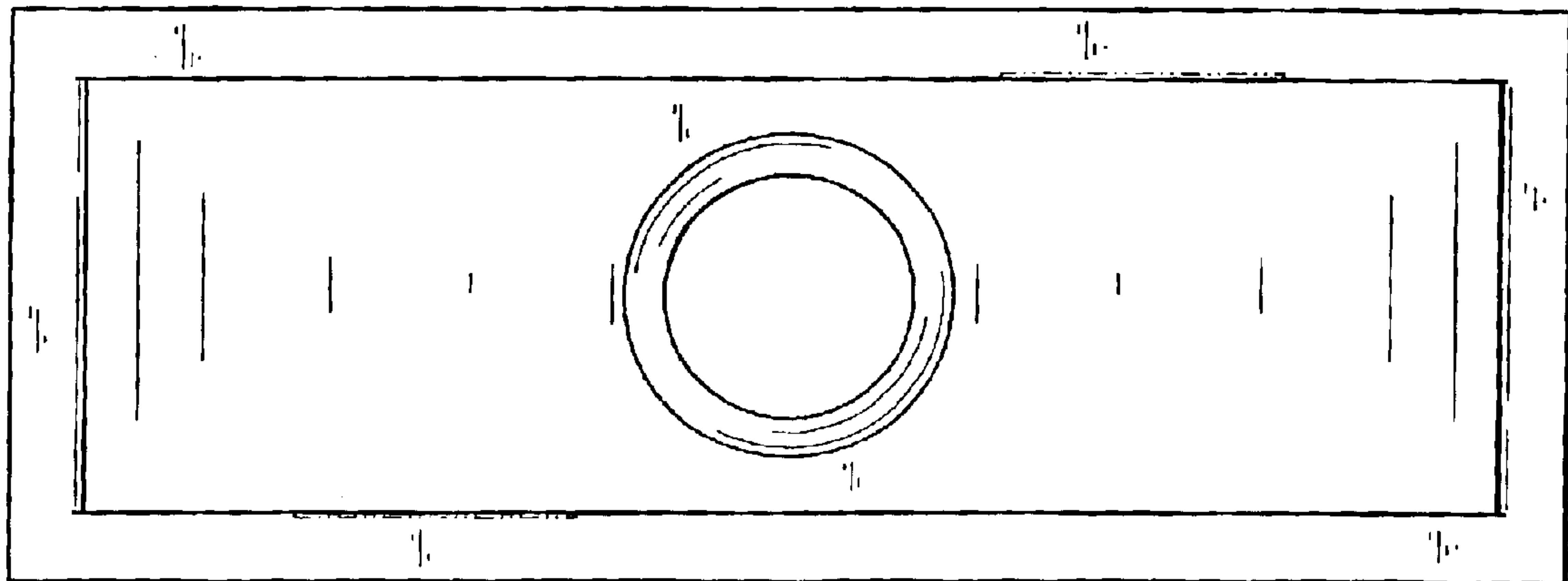


FIG. 5



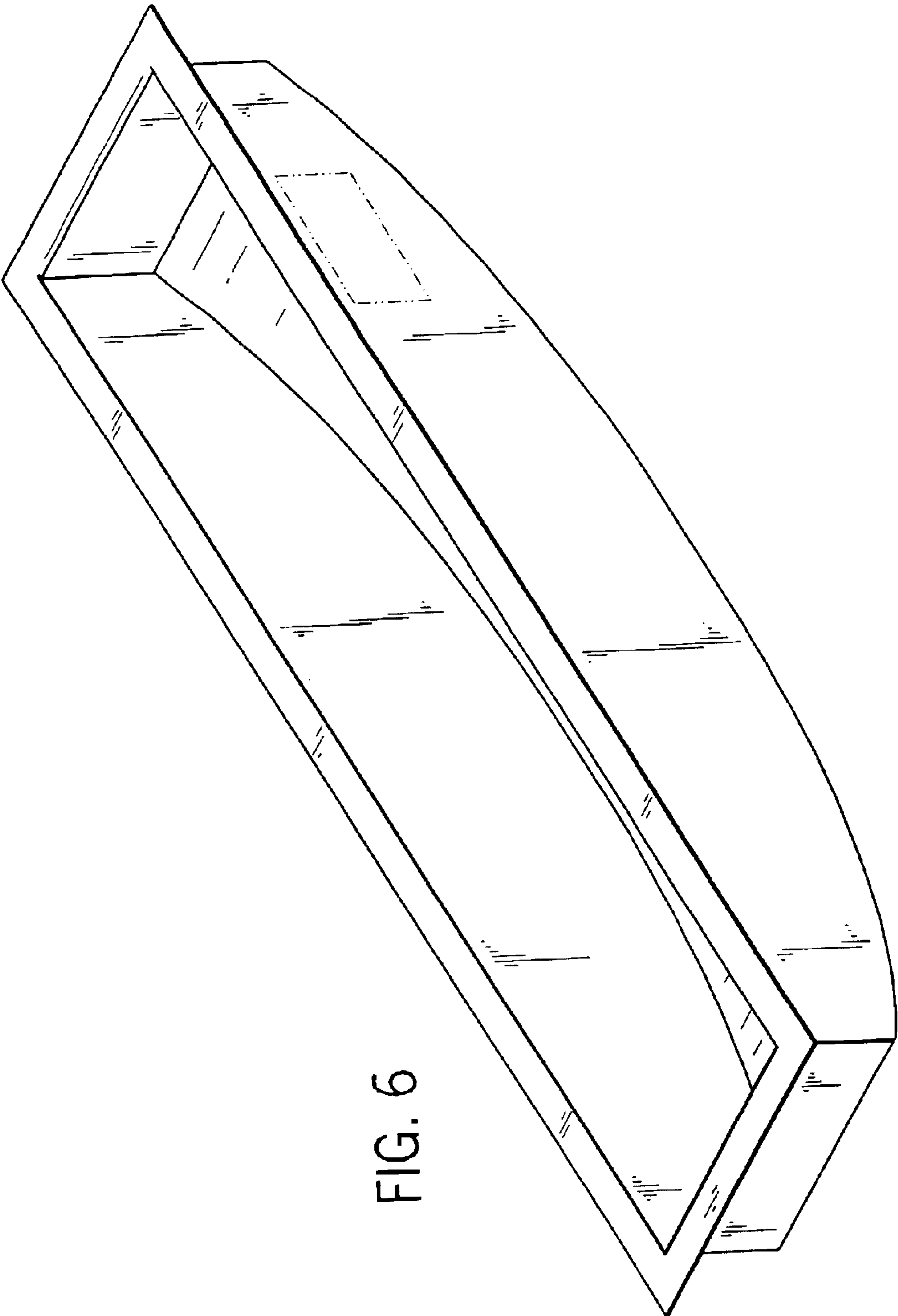


FIG. 6

FIG. 7

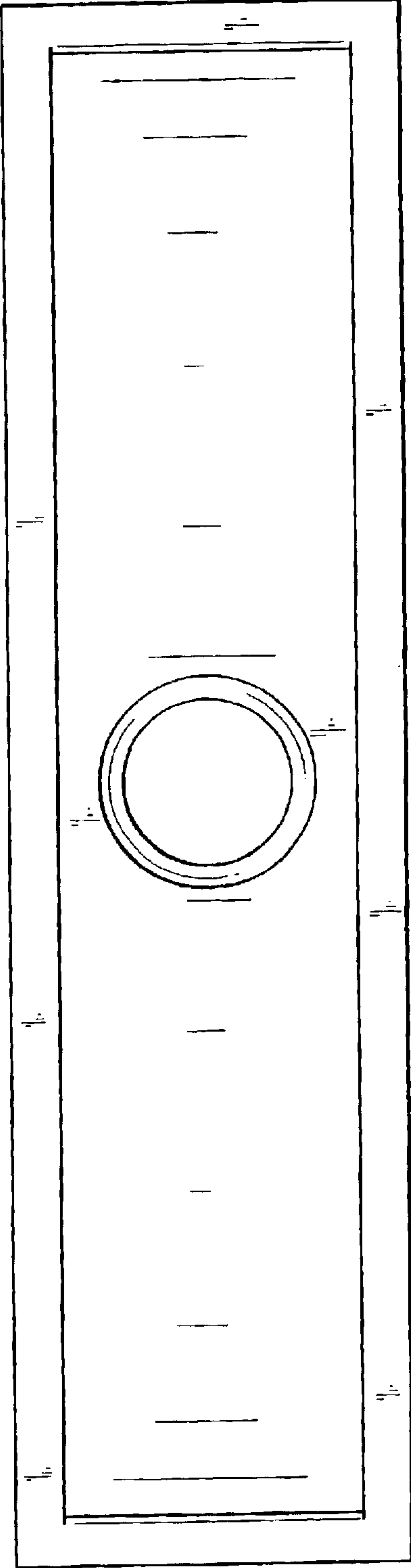
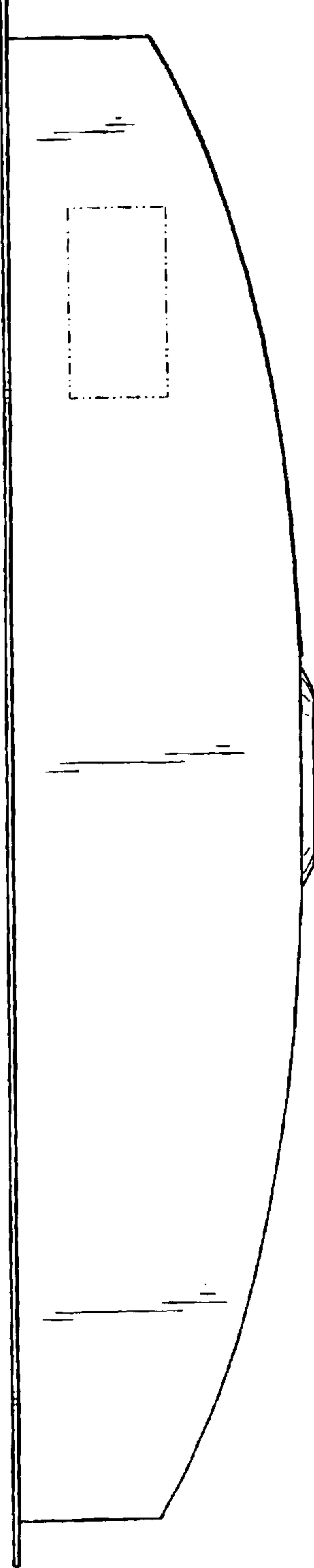


FIG. 8



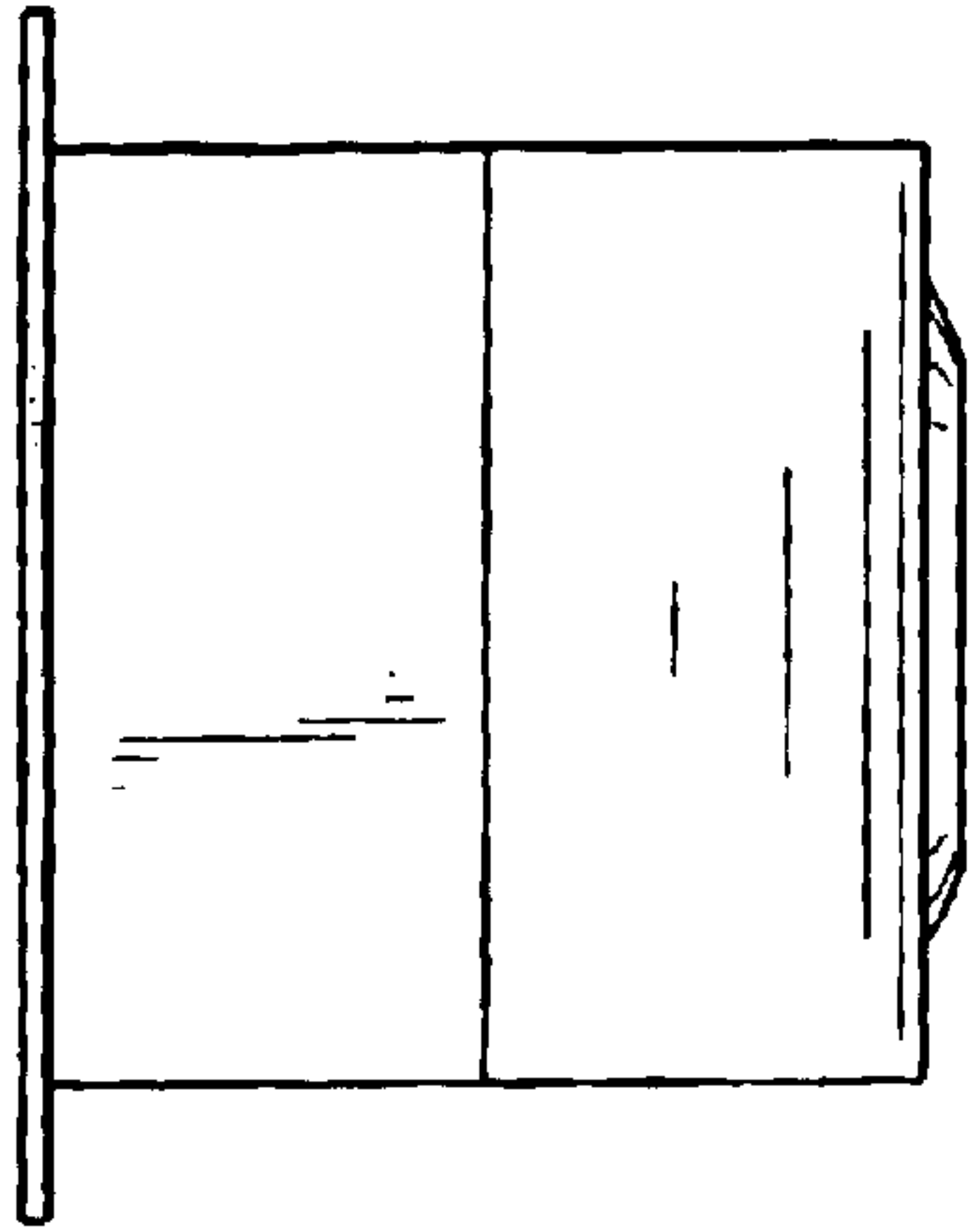


FIG. 9

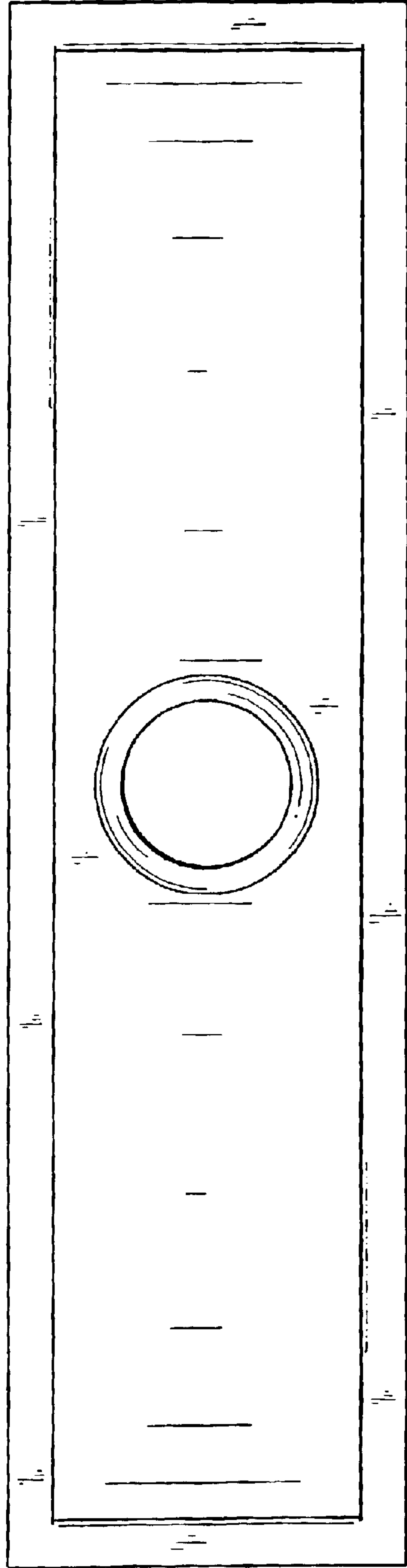


FIG. 10

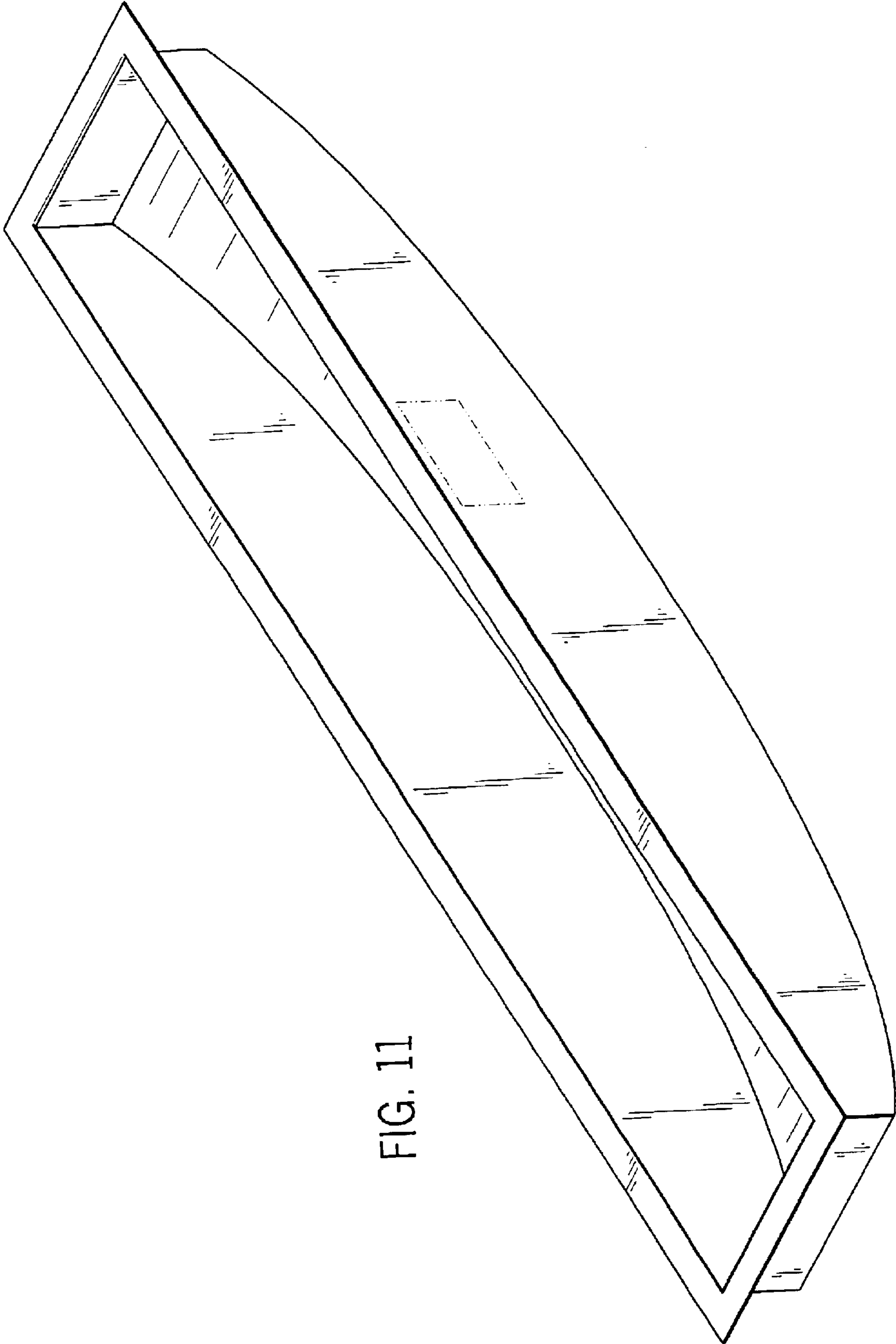


FIG. 11

FIG. 12

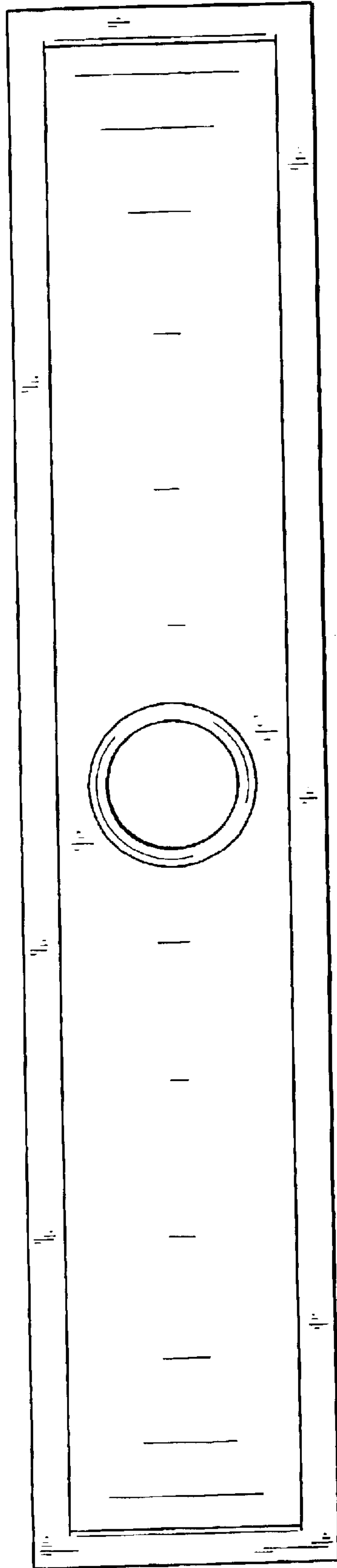
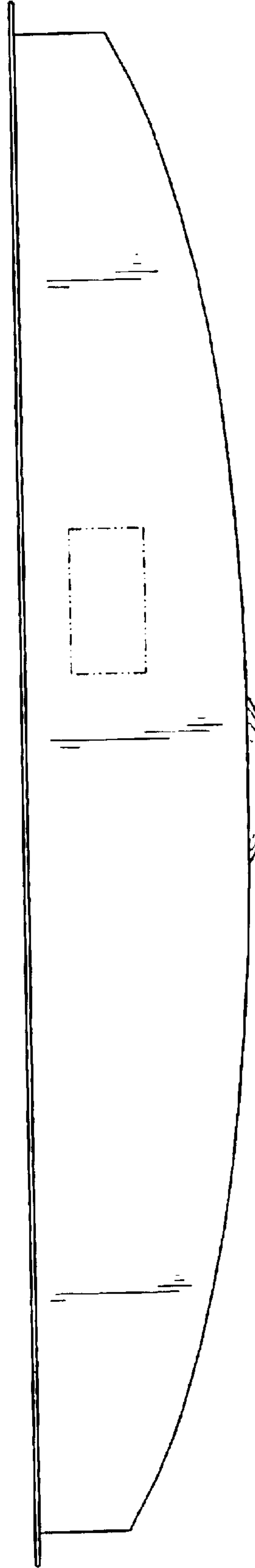


FIG. 13



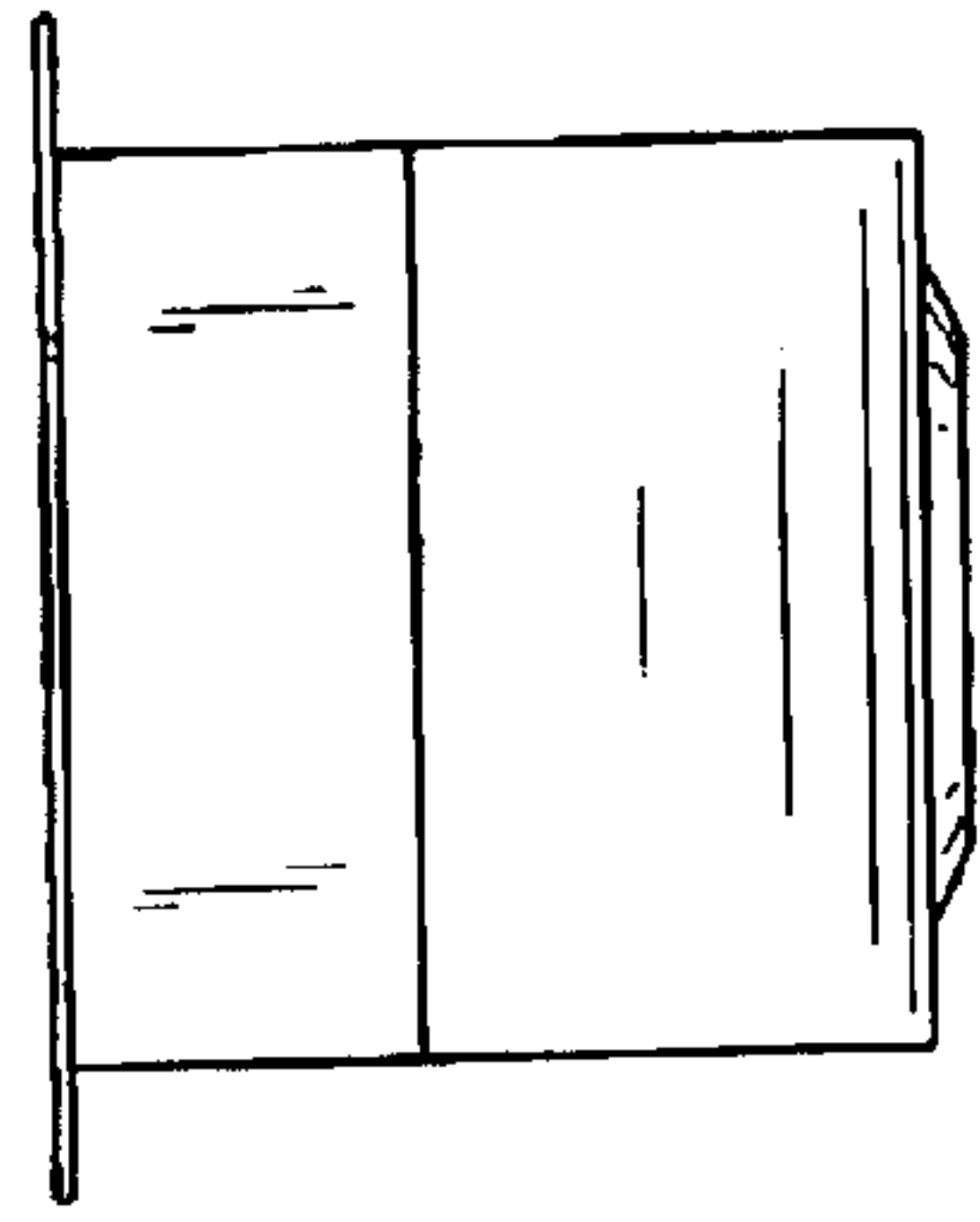


FIG. 14

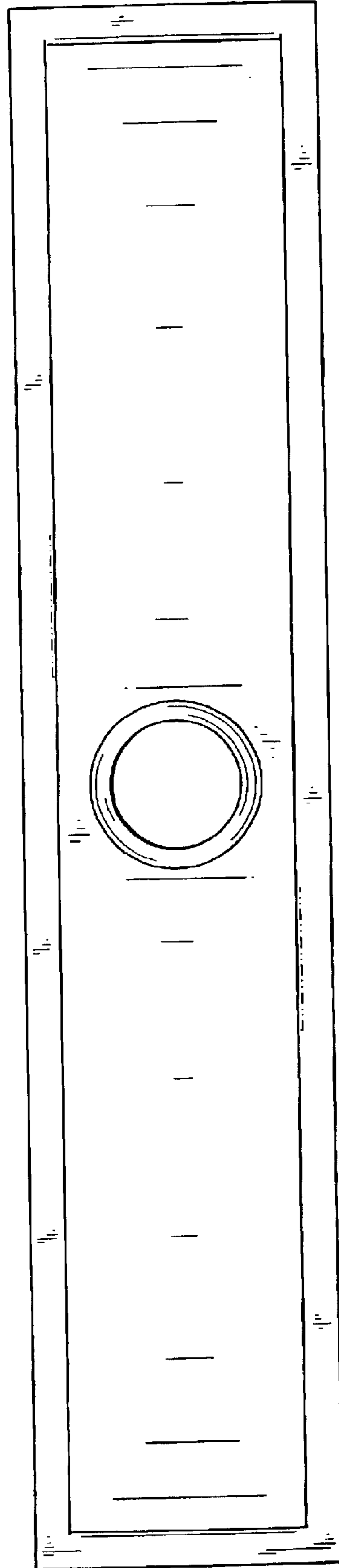


FIG. 15

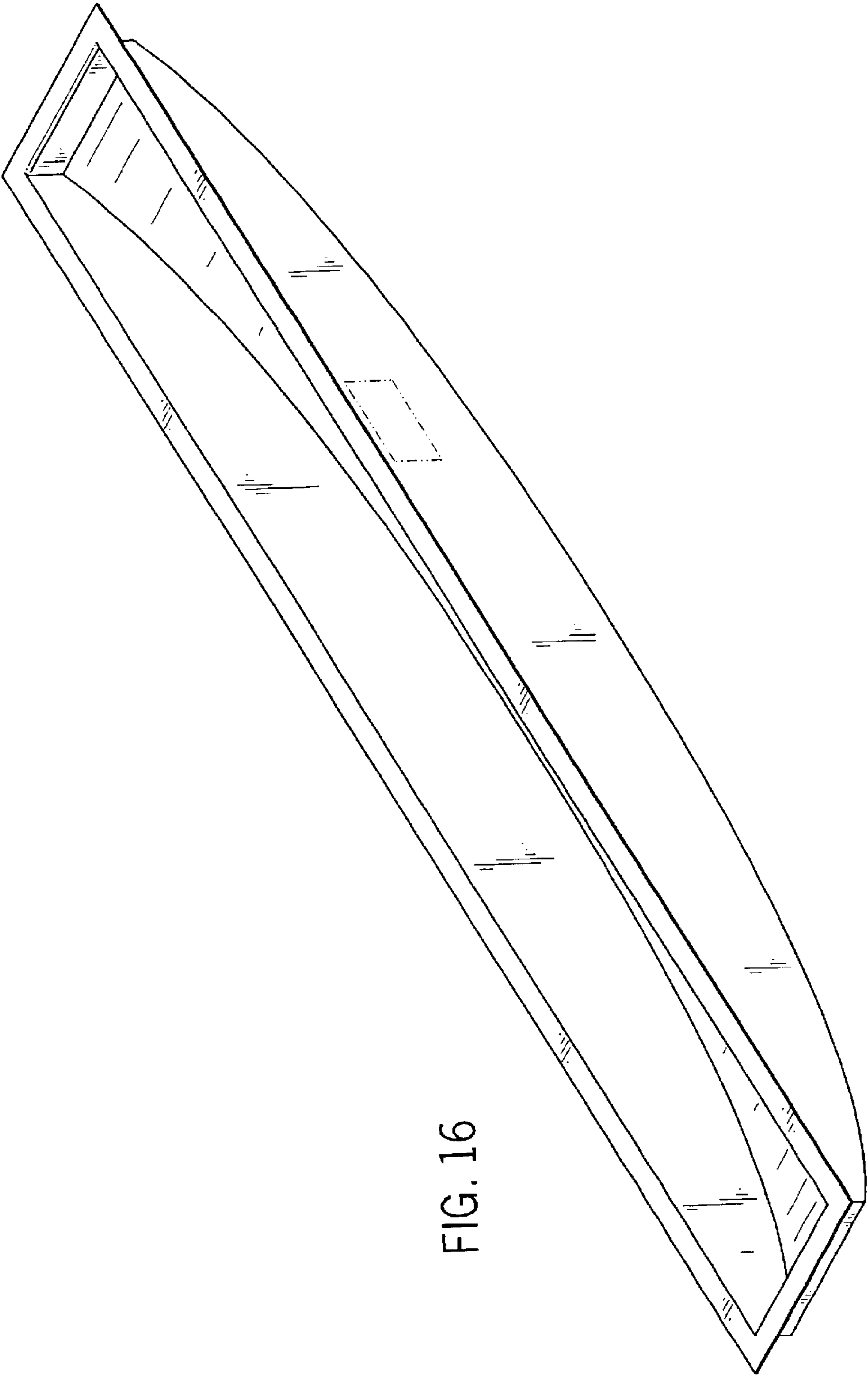


FIG. 16

FIG. 17

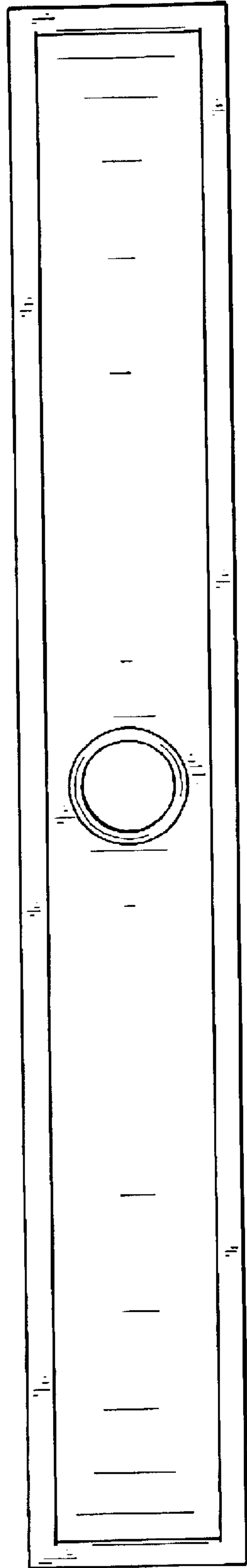


FIG. 18

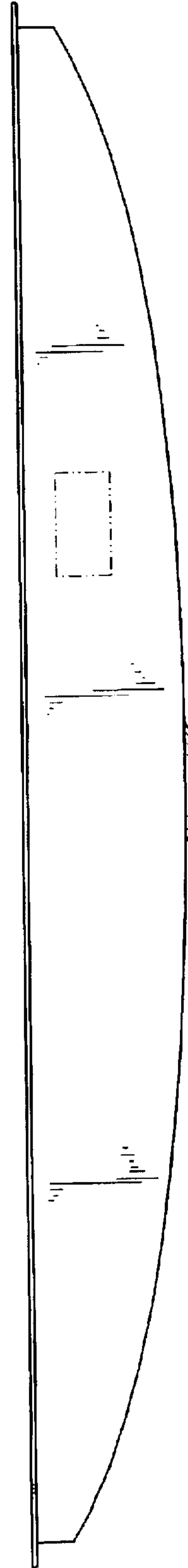


FIG. 19

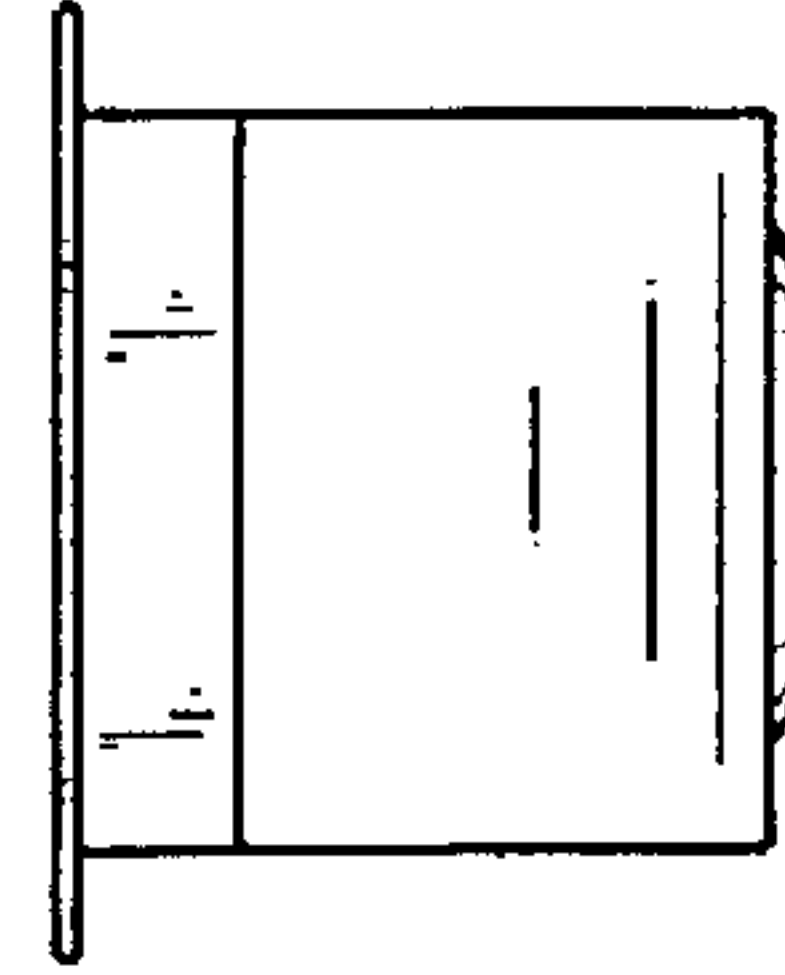
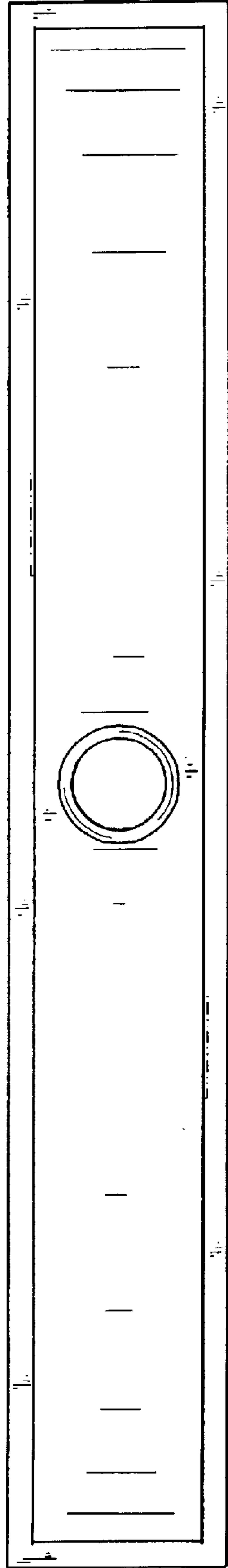


FIG. 20