

US00D492396S1

(12) **United States Design Patent**
Sutopo

(10) **Patent No.:** **US D492,396 S**
(45) **Date of Patent:** **** Jun. 29, 2004**

(54) **LAVATORY**

(75) Inventor: **Elise A. Sutopo**, Sheboygan, WI (US)

(73) Assignee: **Kohler Co.**, Kohler, WI (US)

(**) Term: **14 Years**

(21) Appl. No.: **29/179,523**

(22) Filed: **Apr. 10, 2003**

(51) **LOC (7) Cl.** **23-02**

(52) **U.S. Cl.** **D23/293.1**

(58) **Field of Search** D23/270-271,
D23/273, 284-285, 290-292, 293.1, 303,
308; 4/664-665, 619, 522, 623-624, 639-642,
650-651, 660-661

(56) **References Cited**

U.S. PATENT DOCUMENTS

D202,411 S	*	9/1965	Niemann	D23/293.1
D328,338 S		7/1992	Ragonot	D23/284
D347,273 S		5/1994	Wei	D23/294
D360,935 S		8/1995	Hohenthaner	D23/293.1
D385,957 S		11/1997	Laguera Garza	D23/284
D394,308 S	*	5/1998	Bertoli	D23/293.1
D433,741 S		11/2000	Singer	D23/284
D434,124 S		11/2000	McKeone	D23/284
D474,530 S	*	5/2003	Richardson	D23/293.1

* cited by examiner

Primary Examiner—Louis S. Zarfes

Assistant Examiner—Robert A Delehanty

(74) *Attorney, Agent, or Firm*—Quarles & Brady LLP

(57) **CLAIM**

The ornamental design for a lavatory, as shown and described.

DESCRIPTION

In a preferred embodiment, the nature of this product is as a plumbing fixture in the form of a lavatory which is primarily useful for washing the body parts of humans.

FIG. 1 is a left, top, front perspective view of a lavatory embodying my new design;

FIG. 2 is a top plan view thereof;

FIG. 3 is a front elevational view thereof;

FIG. 4 is a left side elevational view thereof, the right side elevational view being a mirror image of the left side shown;

FIG. 5 is a rear elevational view thereof;

FIG. 6 is a bottom plan view thereof;

FIG. 7 is a cross-sectional view thereof taken along line 7-7 of FIG. 2; and,

FIG. 8 is a cross-sectional view thereof taken along line 8-8 of FIG. 2.

1 Claim, 3 Drawing Sheets

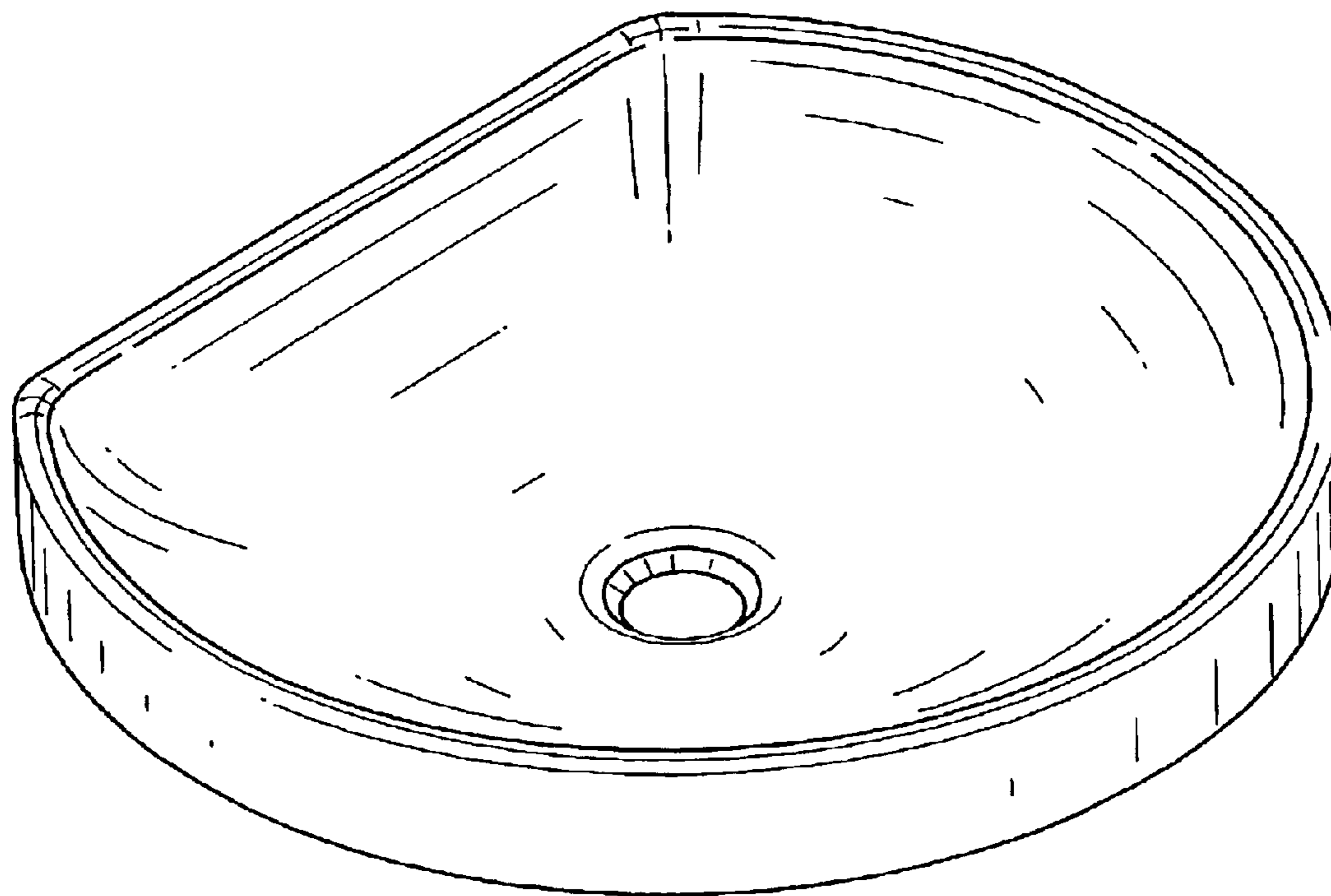


FIG. 1

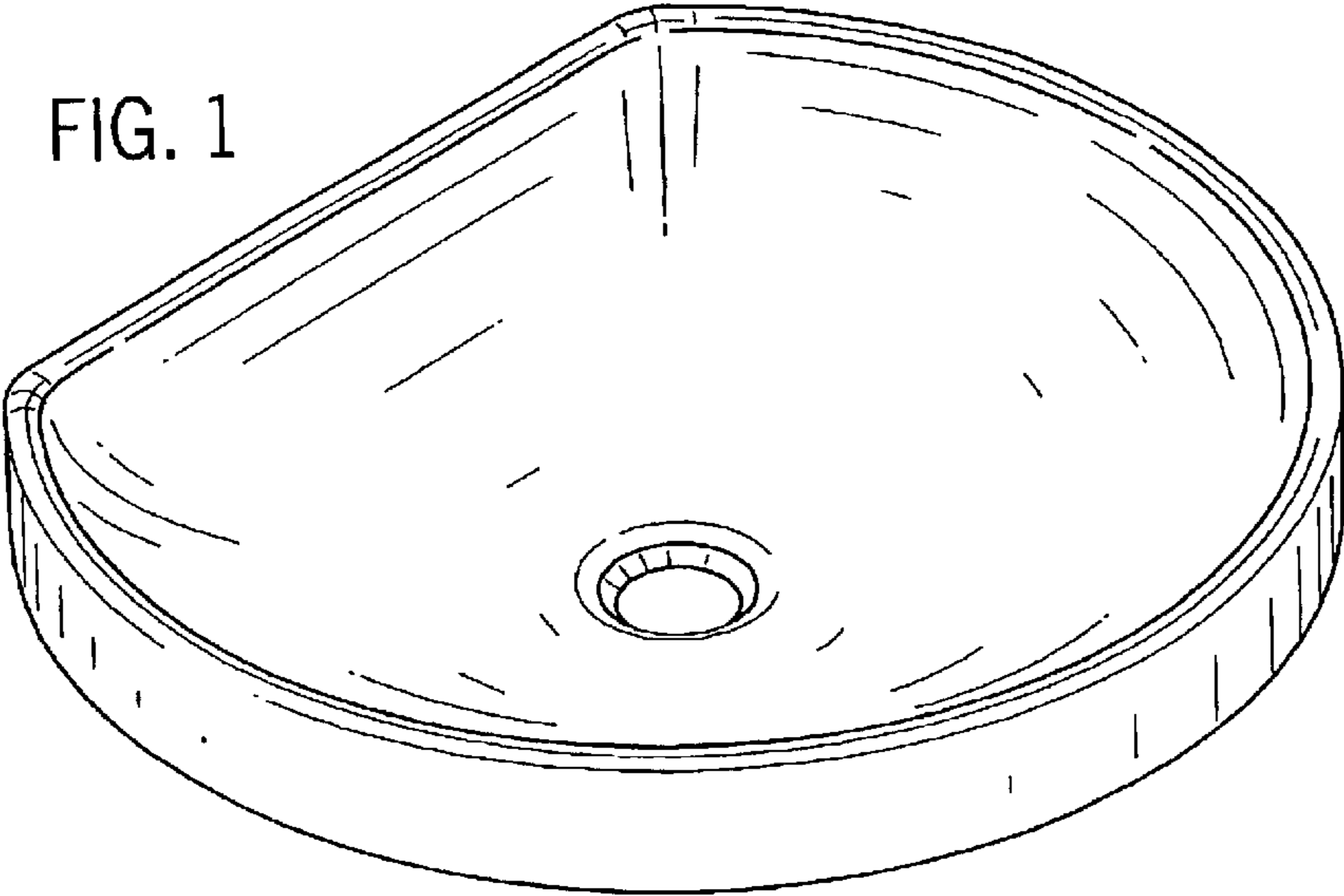


FIG. 2

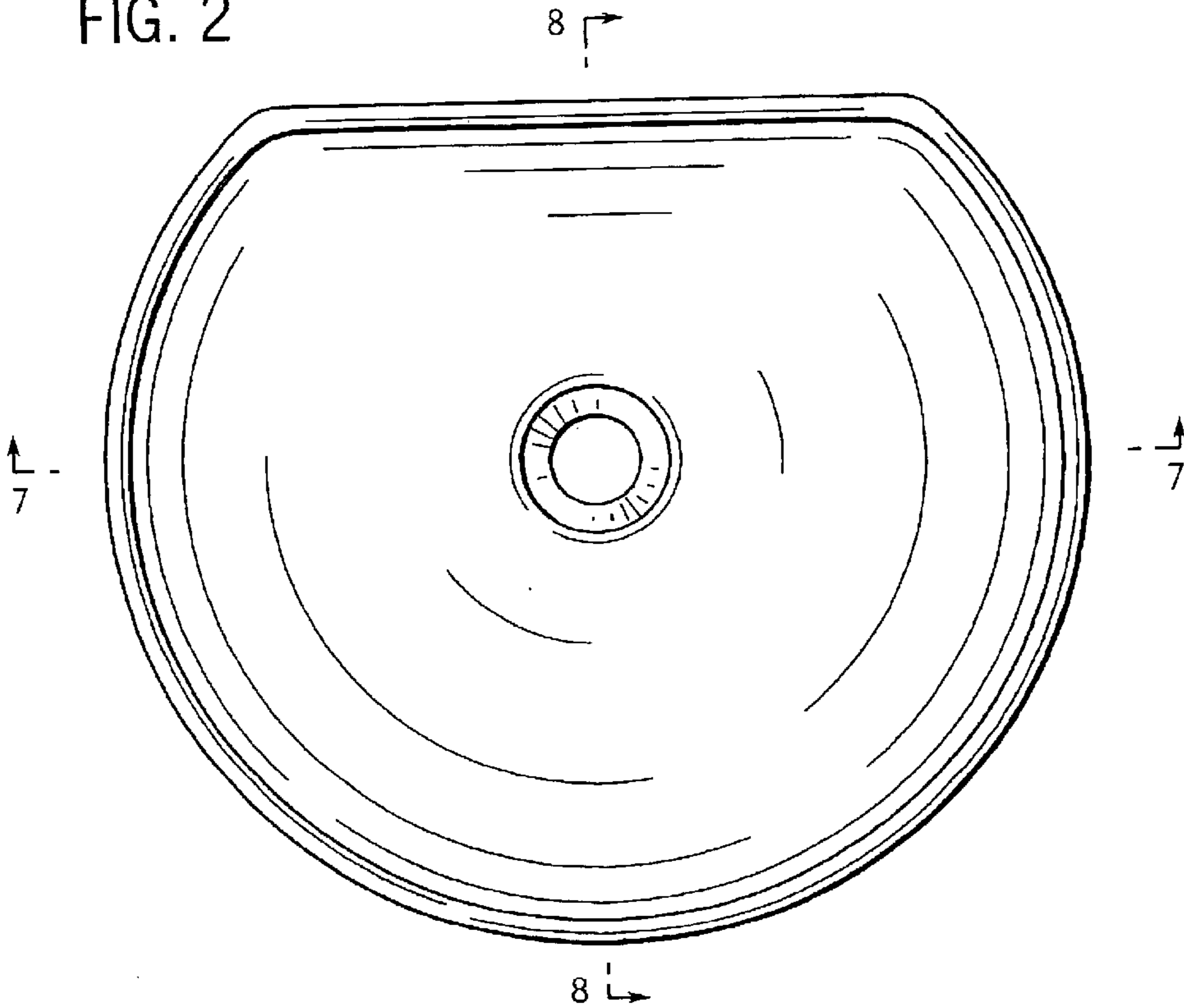


FIG. 3

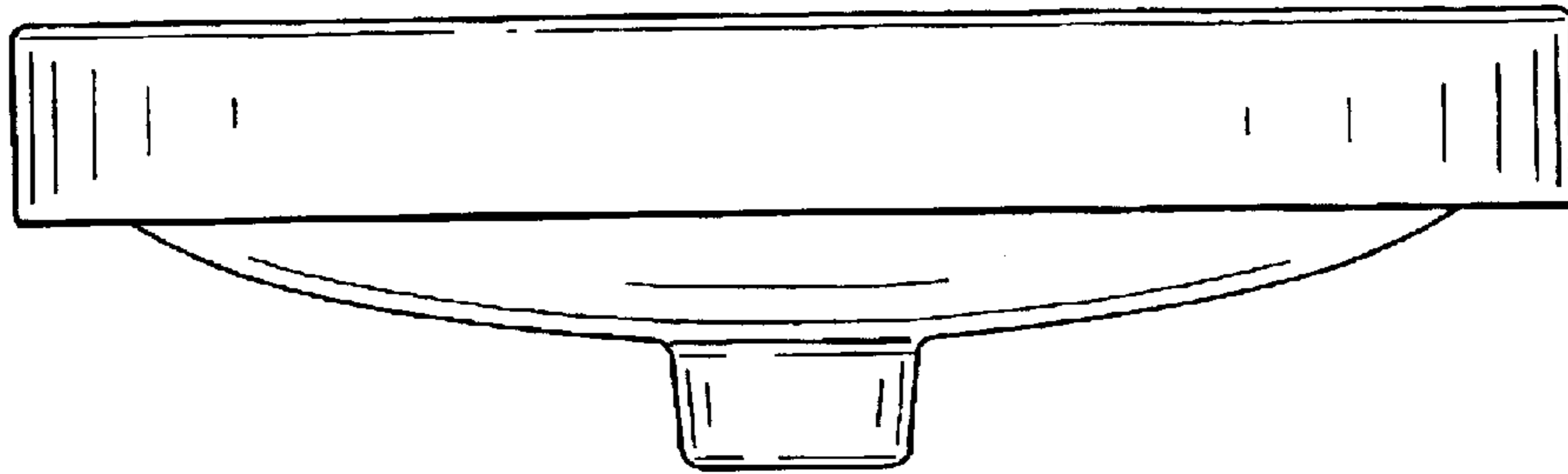


FIG. 4

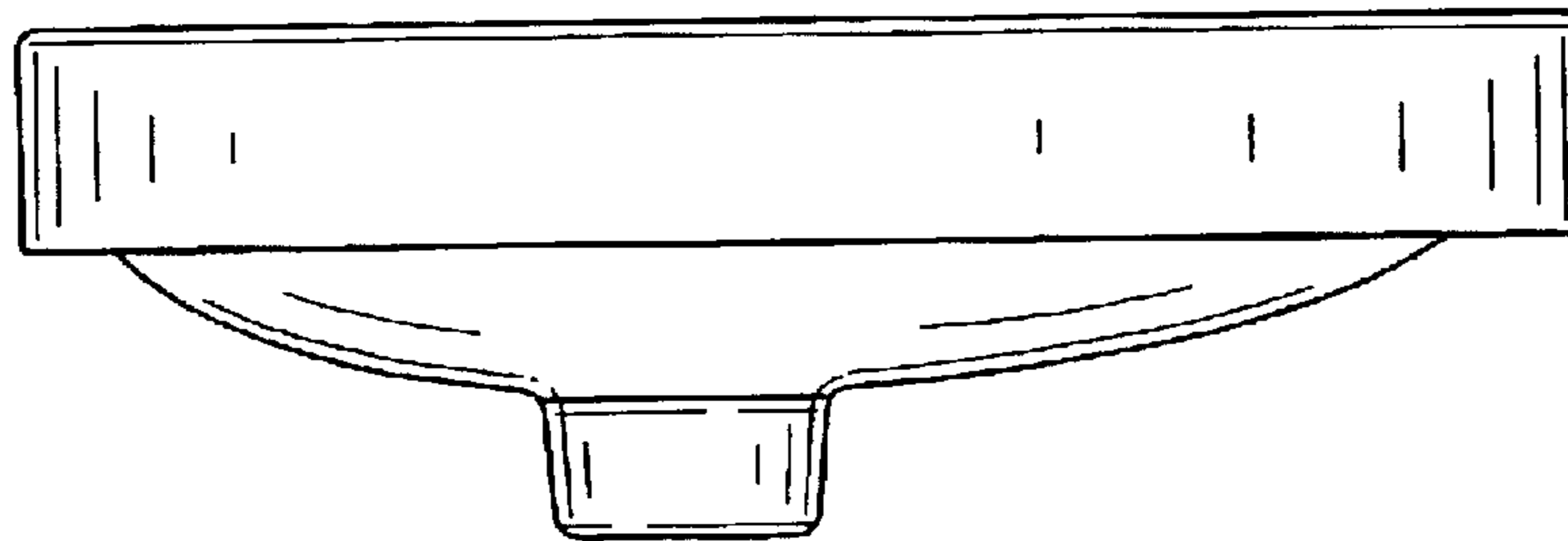


FIG. 5

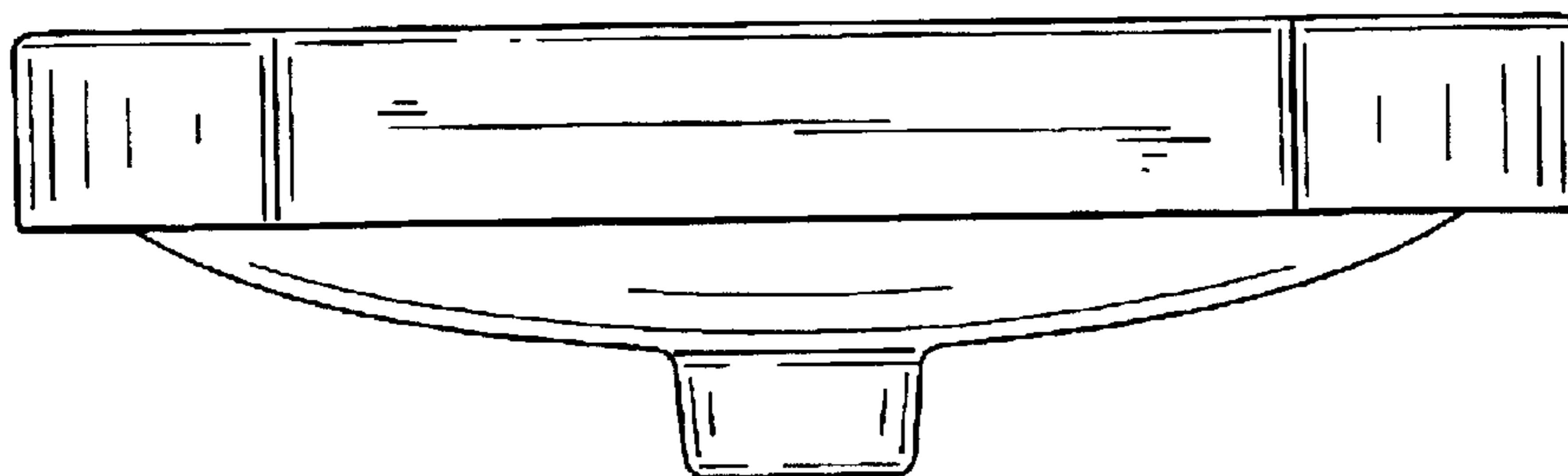


FIG. 6

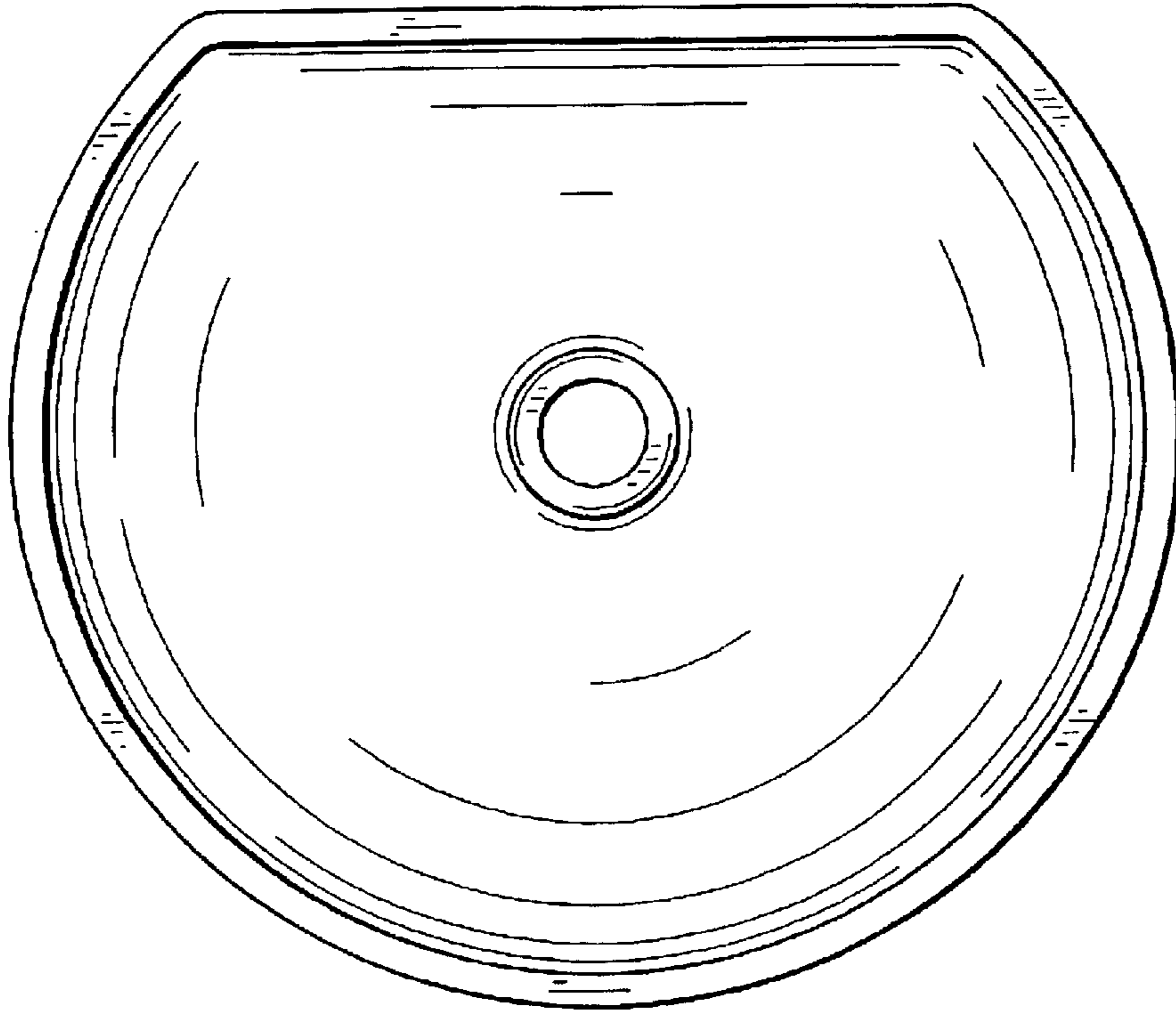


FIG. 7

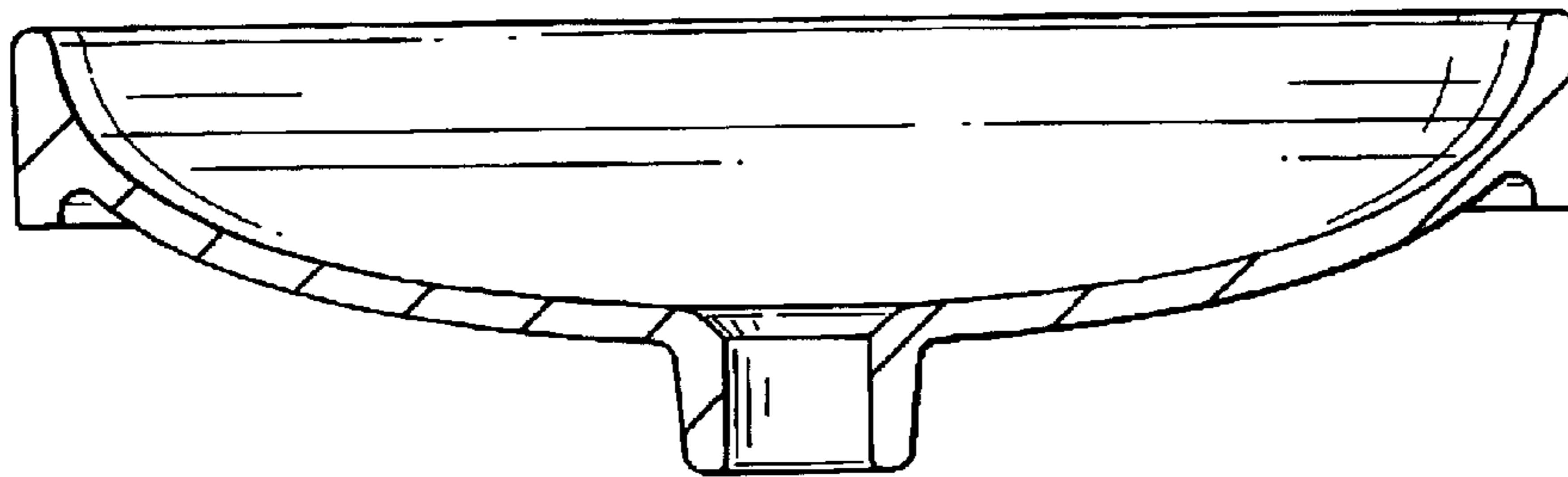


FIG. 8

