



US00D492395S1

(12) **United States Design Patent**  
**Kergoet**

(10) **Patent No.:** **US D492,395 S**  
(45) **Date of Patent:** **\*\* Jun. 29, 2004**

(54) **LAVATORY**

(75) **Inventor:** **Francois Kergoet**, Malakoff (FR)

(73) **Assignee:** **Kohler France SAS**, Paris (FR)

(\*\*) **Term:** **14 Years**

(21) **Appl. No.:** **29/178,209**

(22) **Filed:** **Mar. 21, 2003**

(51) **LOC (7) Cl.** ..... **23-02**

(52) **U.S. Cl.** ..... **D23/293.1**

(58) **Field of Search** ..... D23/270-271,  
D23/273, 284-285, 290-292, 293.1, 303,  
308; 4/664-665, 619, 522, 623-624, 639-642,  
650-651, 660-661

(56) **References Cited**

**U.S. PATENT DOCUMENTS**

- D318,105 S 7/1991 Kohler, Jr. et al.
- D396,271 S 7/1998 Garza
- D416,991 S 11/1999 Caplow
- D486,208 S \* 2/2004 Piatt et al. .... D23/284

**OTHER PUBLICATIONS**

Jacob Delafon Catalog, Odéon Lavatory.  
Kohler Catalog, p. 14.4, Vessels Bateau Lavatory.

\* cited by examiner

*Primary Examiner*—Louis S. Zarfes  
*Assistant Examiner*—Robert A Delehanty  
(74) *Attorney, Agent, or Firm*—Ladas & Parry

(57) **CLAIM**

The ornamental design for a lavatory, as shown and described.

**DESCRIPTION**

FIG. 1 is a perspective view from the left side and above of the lavatory showing my new design;

FIG. 2 is a top plan view thereof;

FIG. 3 is a front elevational view thereof;

FIG. 4 is a left side elevational view thereof, the right side elevational view being a mirror image thereof;

FIG. 5 is an elevational view of 45° to the front elevational view;

FIG. 6 is a rear elevational view thereof;

FIG. 7 is a bottom view thereof; and,

FIG. 8 is a vertical sectional view on section line 8—8 shown in FIG. 2.

**1 Claim, 4 Drawing Sheets**

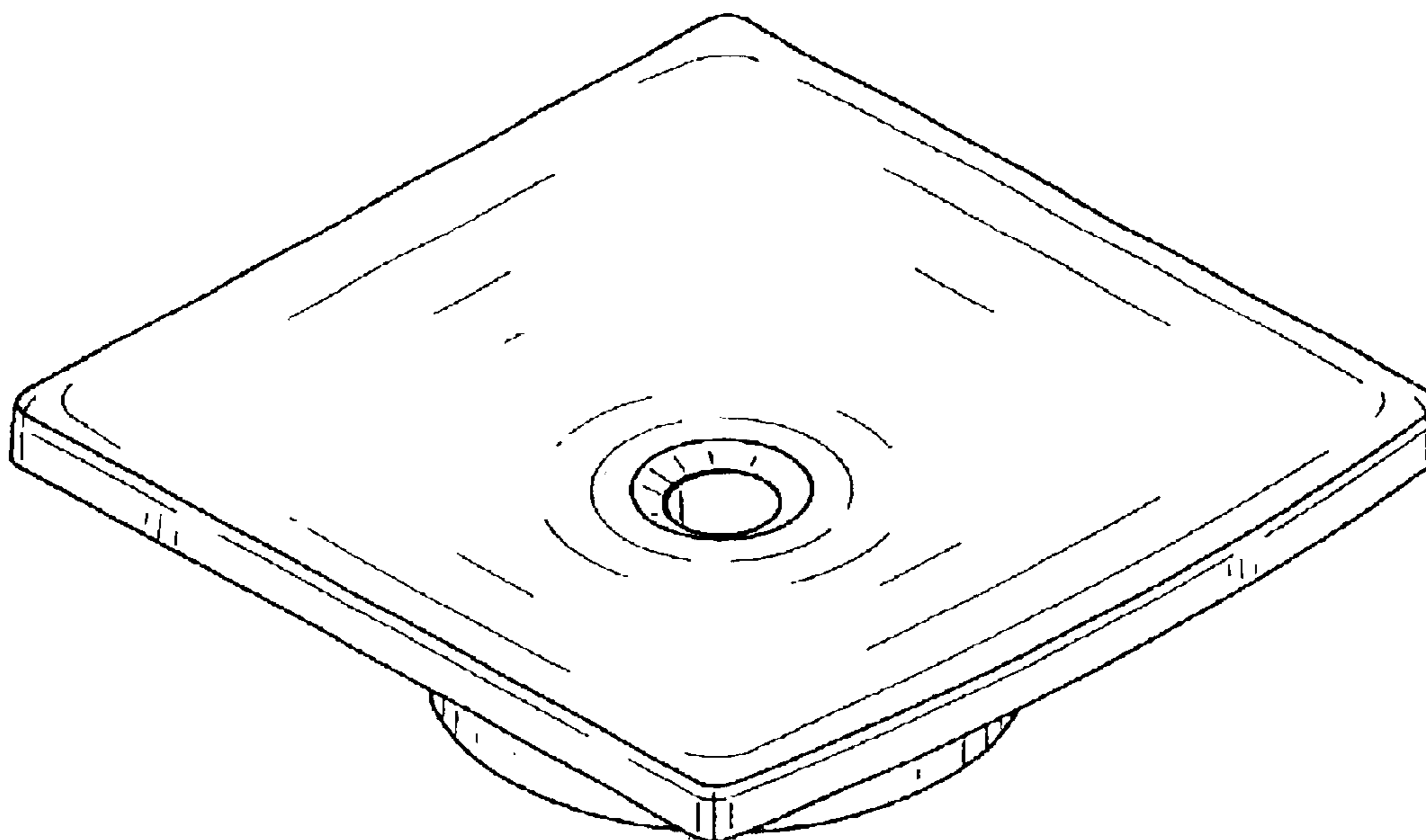


FIG. 1

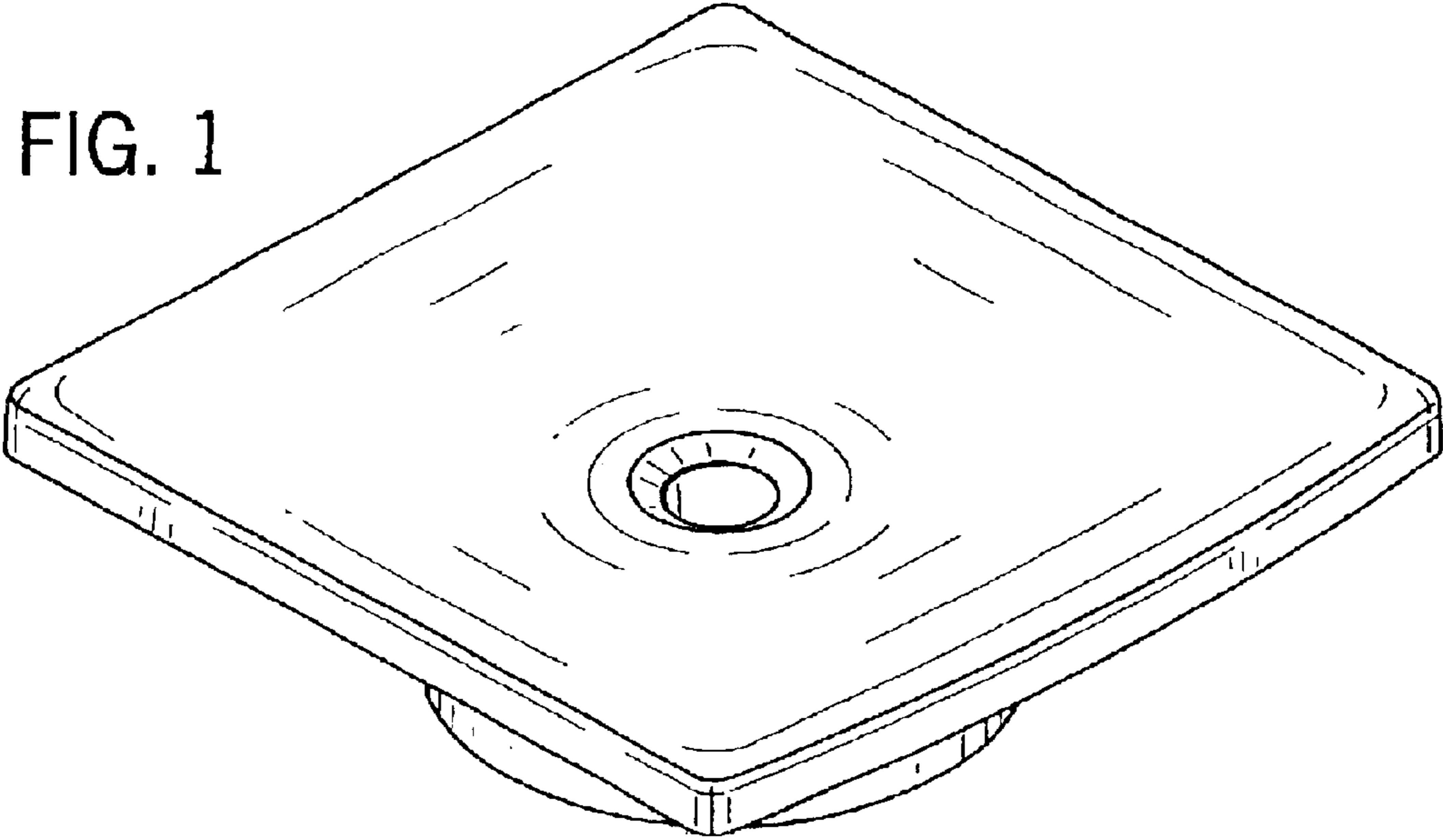


FIG. 2

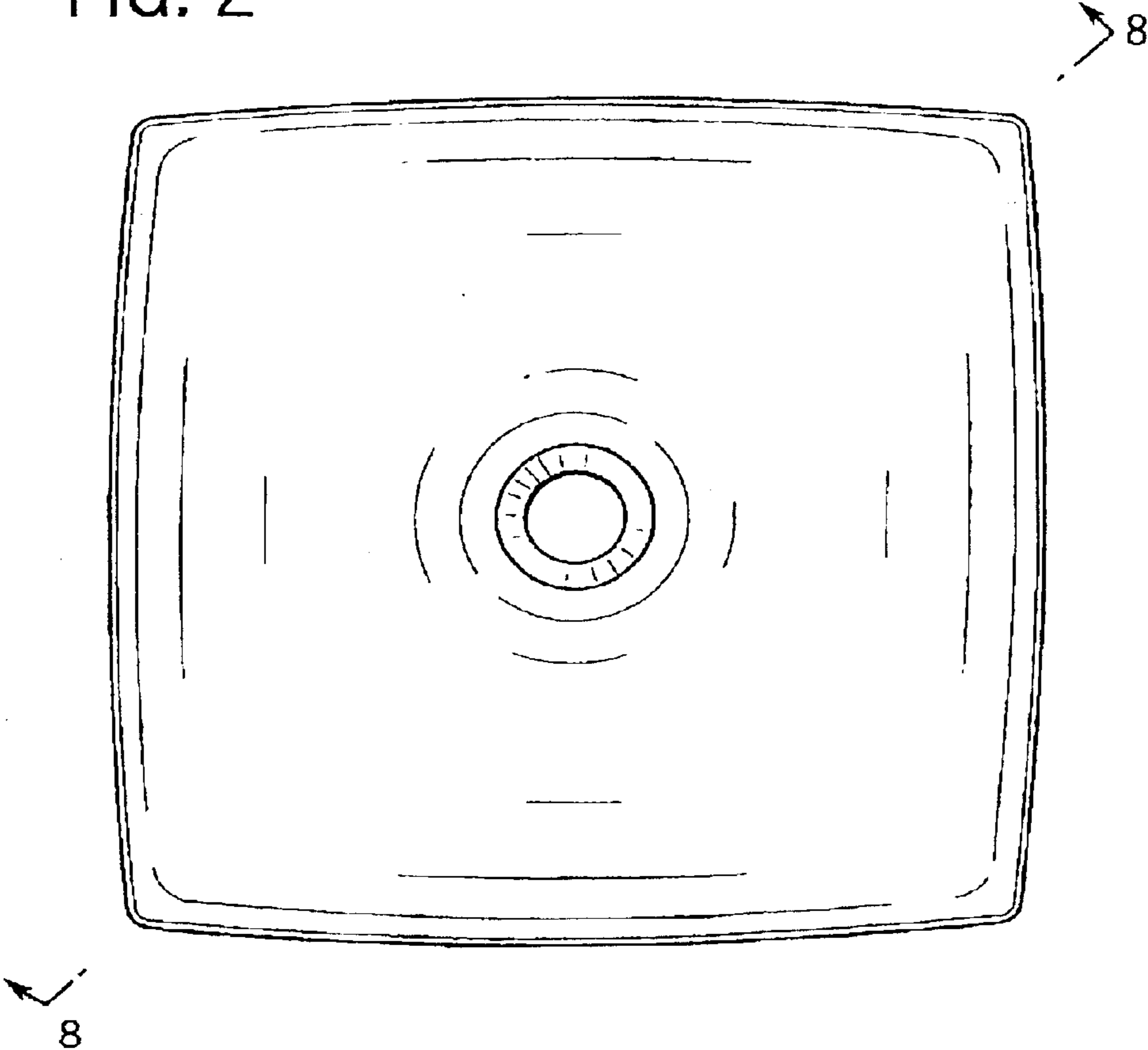


FIG. 3

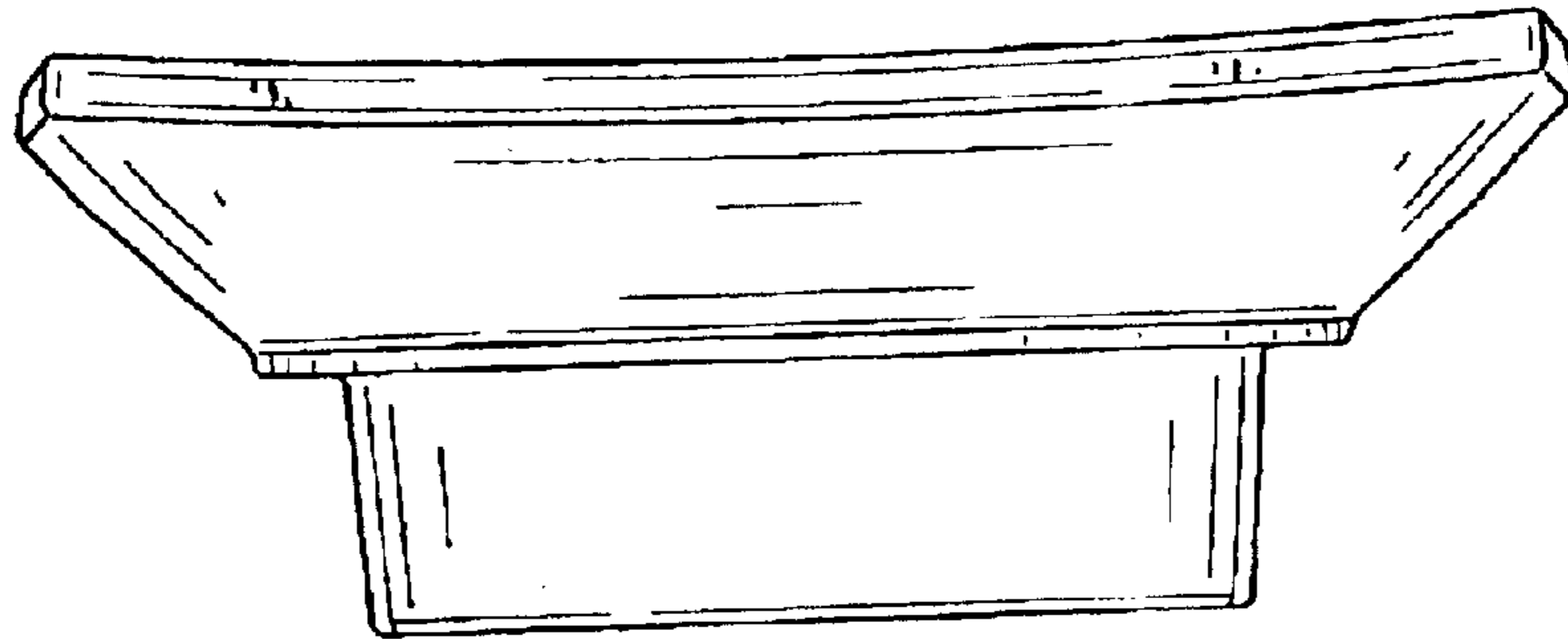


FIG. 4

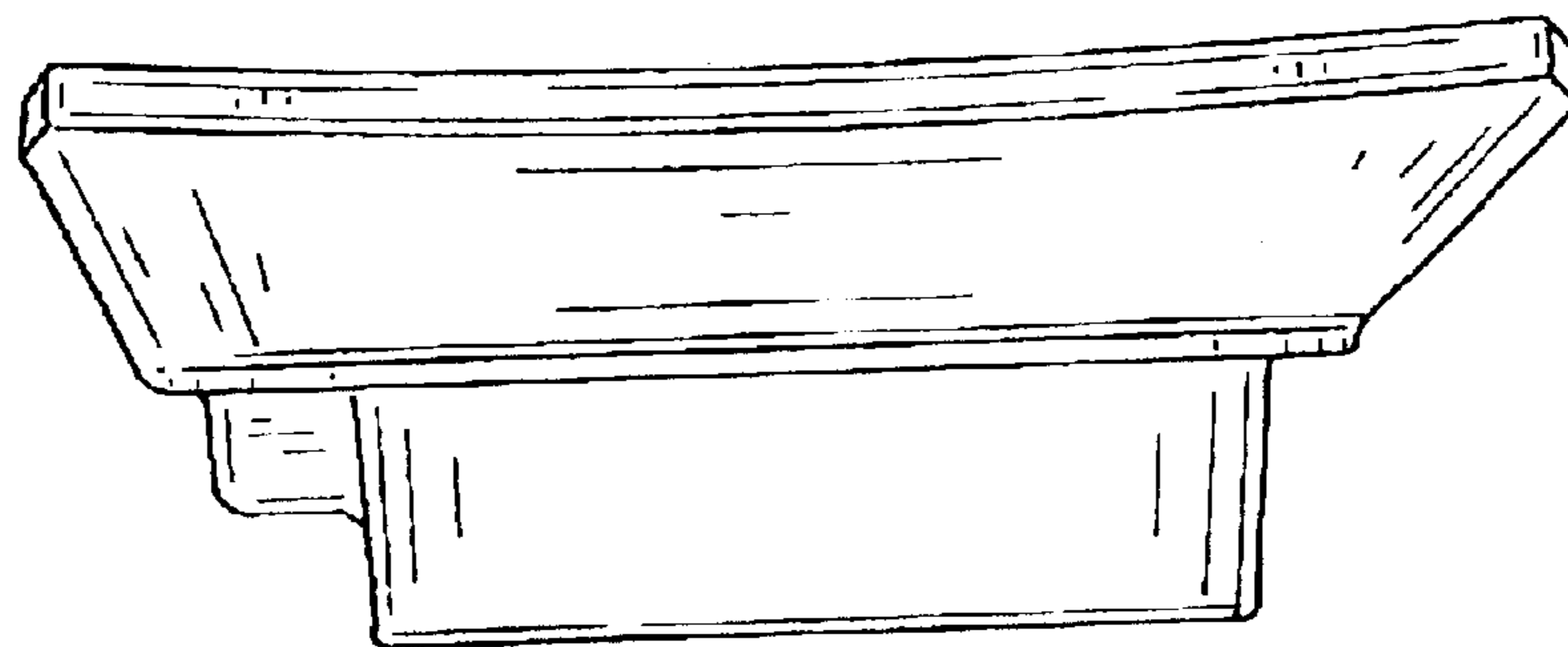


FIG. 5

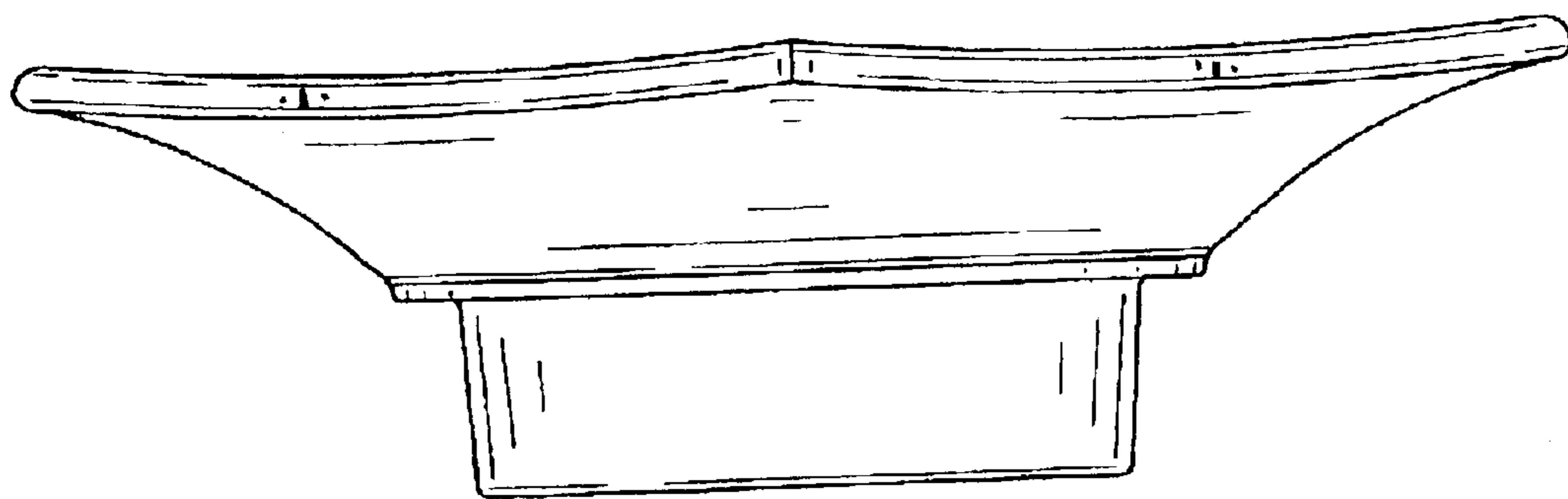


FIG. 6

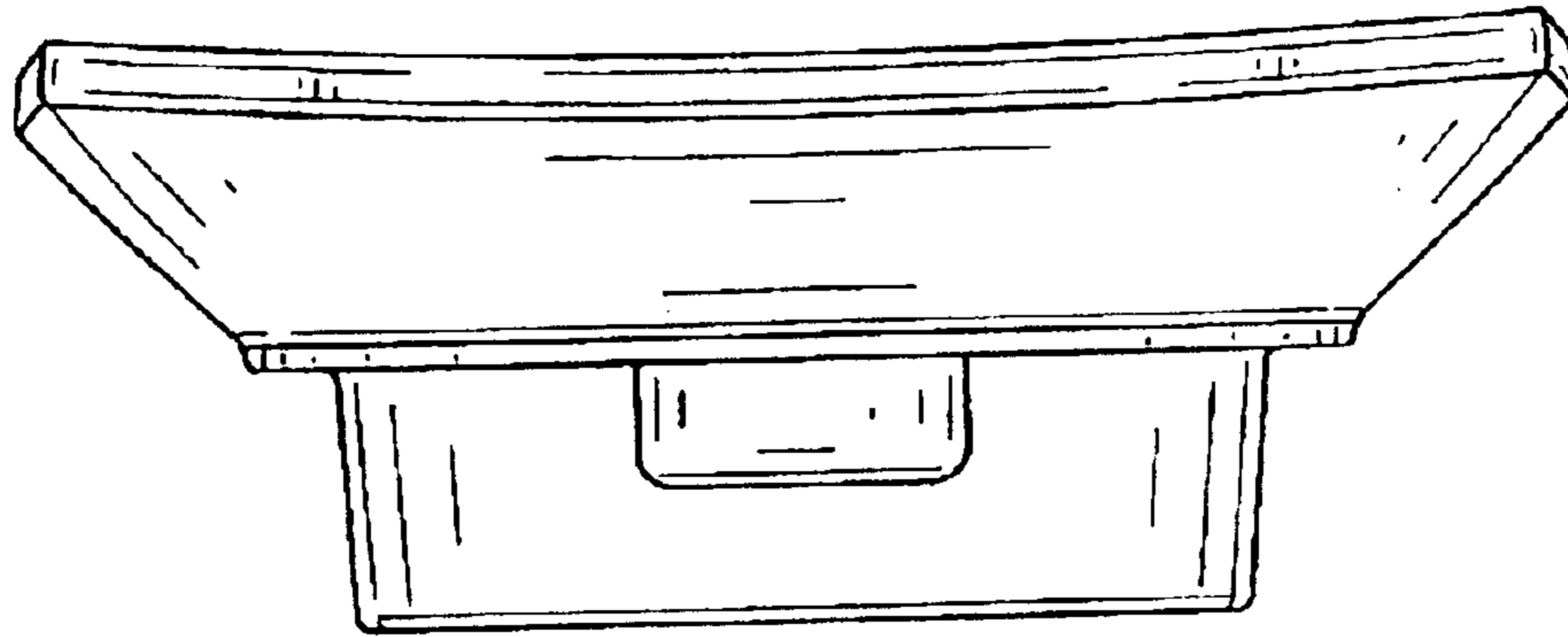


FIG. 7

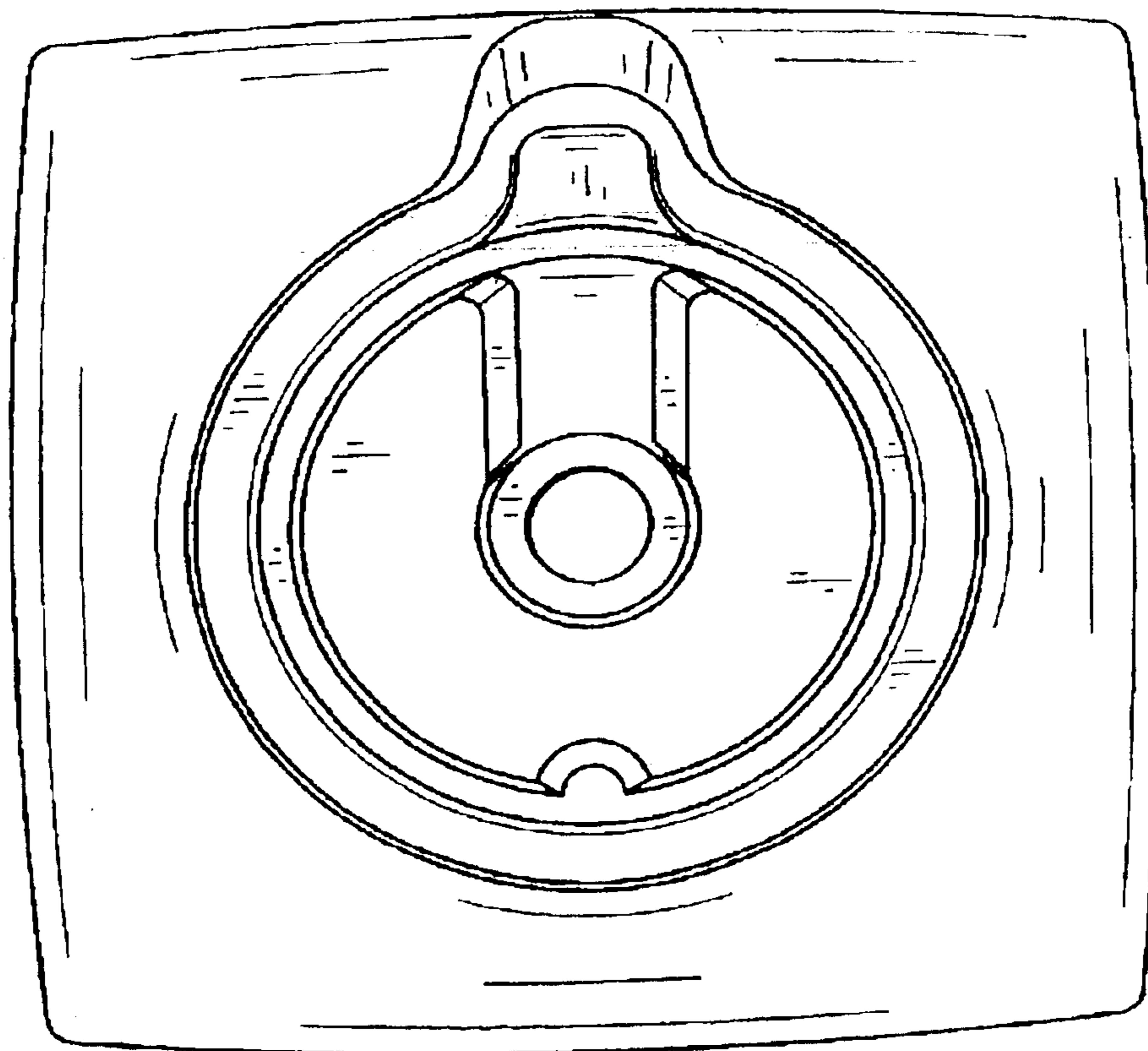


FIG. 8

