

US00D492393S1

(12) **United States Design Patent**
Herring et al.

(10) **Patent No.: US D492,393 S**
(45) **Date of Patent: ** Jun. 29, 2004**

(54) **POT FILLER**

3,858,601 A * 1/1975 Ensinger 137/615
D464,711 S * 10/2002 Warshawsky D23/243

(75) Inventors: **William Peter Herring**, Rudge (GB);
James Moore, Frome (GB)

* cited by examiner

(73) Assignee: **Hornbeam Ivy Limited**, Frome (GB)

Primary Examiner—Louis S. Zarfes

(**) Term: **14 Years**

Assistant Examiner—G. Andoll

(21) Appl. No.: **29/189,337**

(74) *Attorney, Agent, or Firm*—Stites & Harbison PLLC;
Douglas E. Jackson

(22) Filed: **Sep. 4, 2003**

(57) **CLAIM**

(30) **Foreign Application Priority Data**

The ornamental design for a pot filler, as shown and described.

Mar. 6, 2003 (GB) 3011392

DESCRIPTION

(51) **LOC (7) Cl.** **23-01**

FIG. 1 is a front view of a pot filler according to the present invention.

(52) **U.S. Cl.** **D23/243; D23/239; D23/238;**
D23/255

FIG. 2 is a top view of the pot filler depicted in FIG. 1.

(58) **Field of Search** **D23/238-257;**
4/675-678; 137/807, 615

FIG. 3 is a right side view of the pot filler depicted in FIG. 1.

(56) **References Cited**

FIG. 4 is a left side view of the pot filler depicted in FIG. 1.

U.S. PATENT DOCUMENTS

118,722 A * 9/1871 Hull 137/615
1,838,290 A * 12/1931 Steckel 137/615

FIG. 5 is a bottom view of the pot filler depicted in FIG. 1.
FIG. 6 is a rear view of the pot filler depicted in FIG. 1; and,
FIG. 7 is a perspective front, top and left side view of the pot filler depicted in FIG. 1.

1 Claim, 7 Drawing Sheets

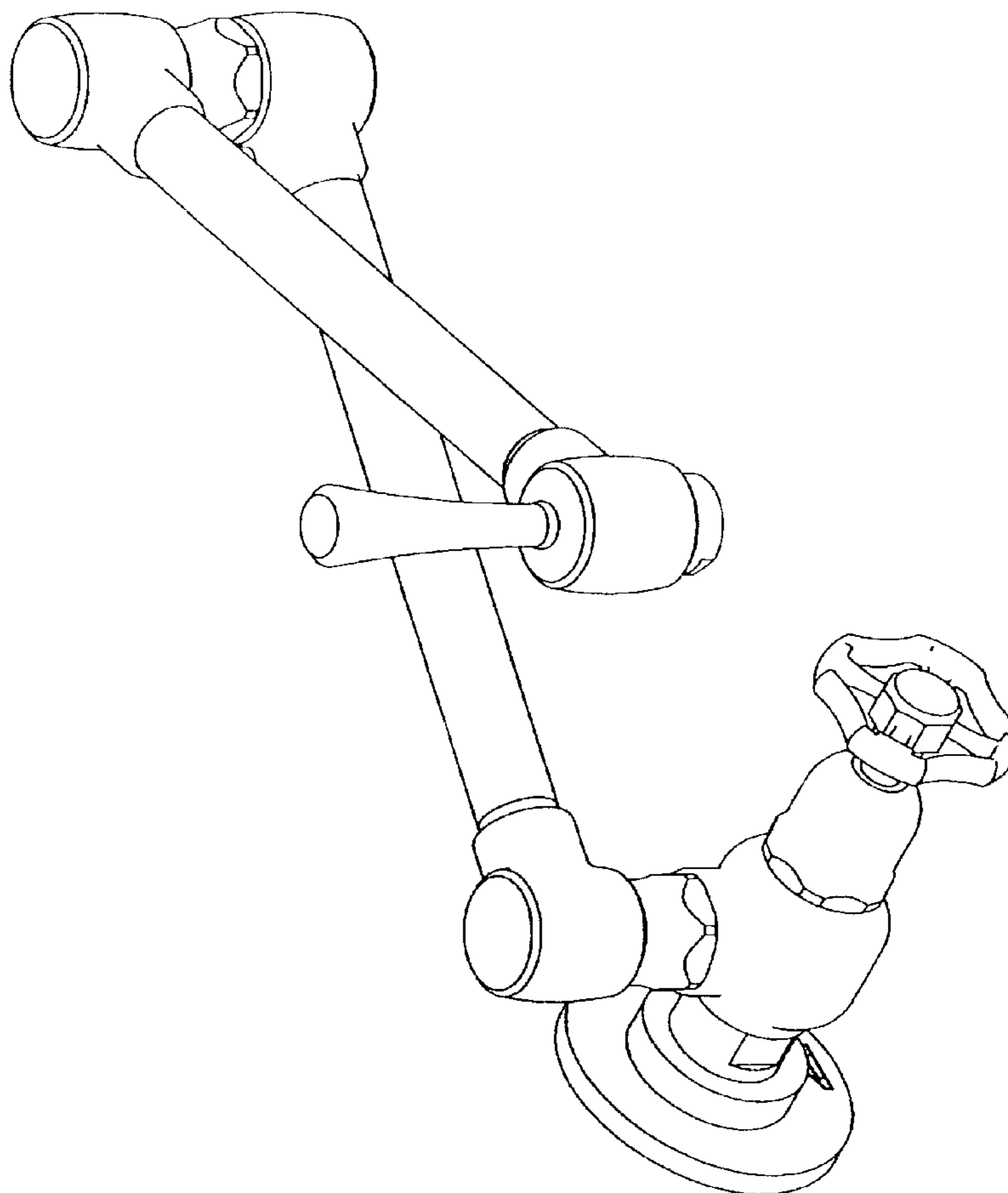


Fig. 1

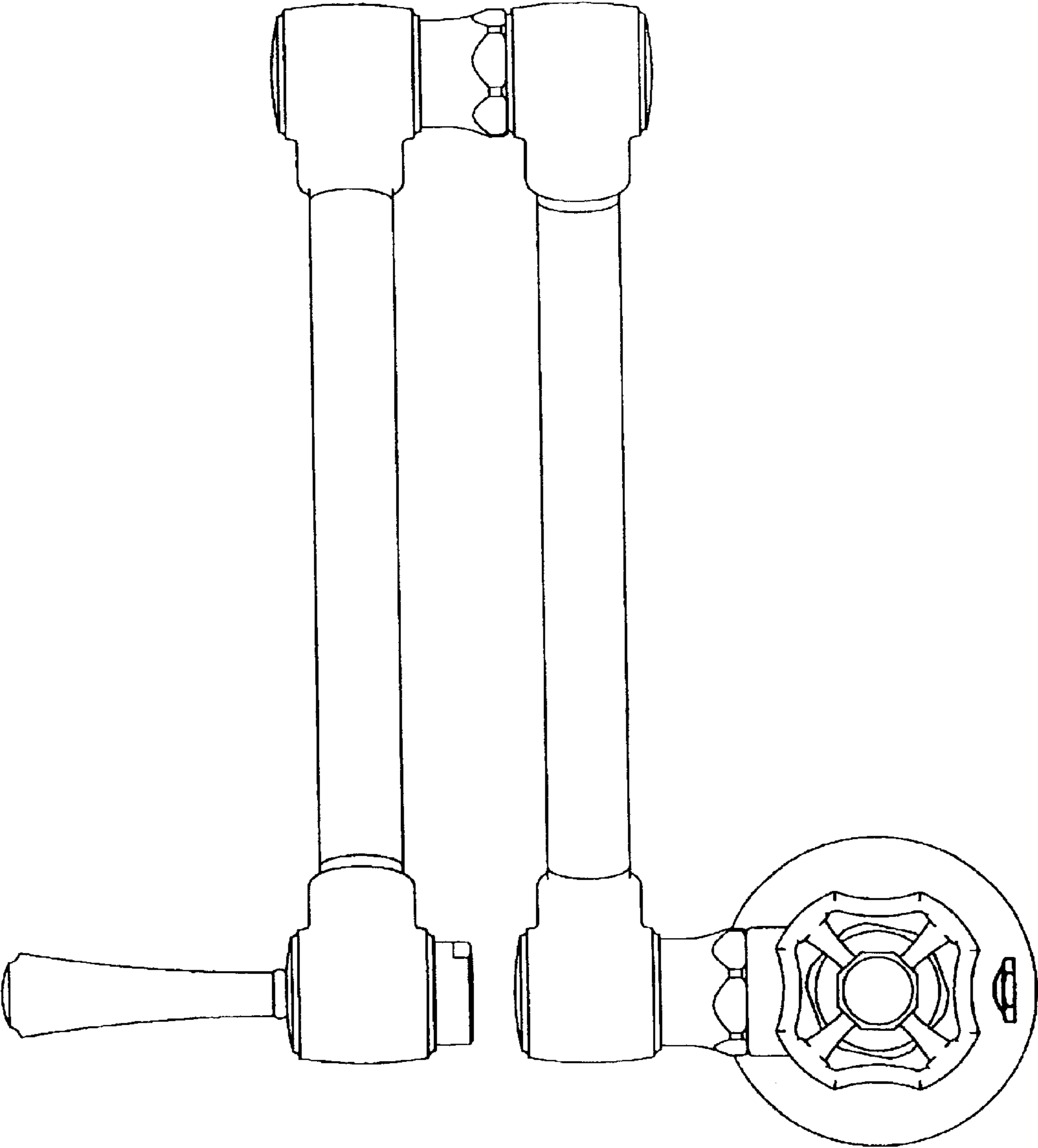


Fig. 2

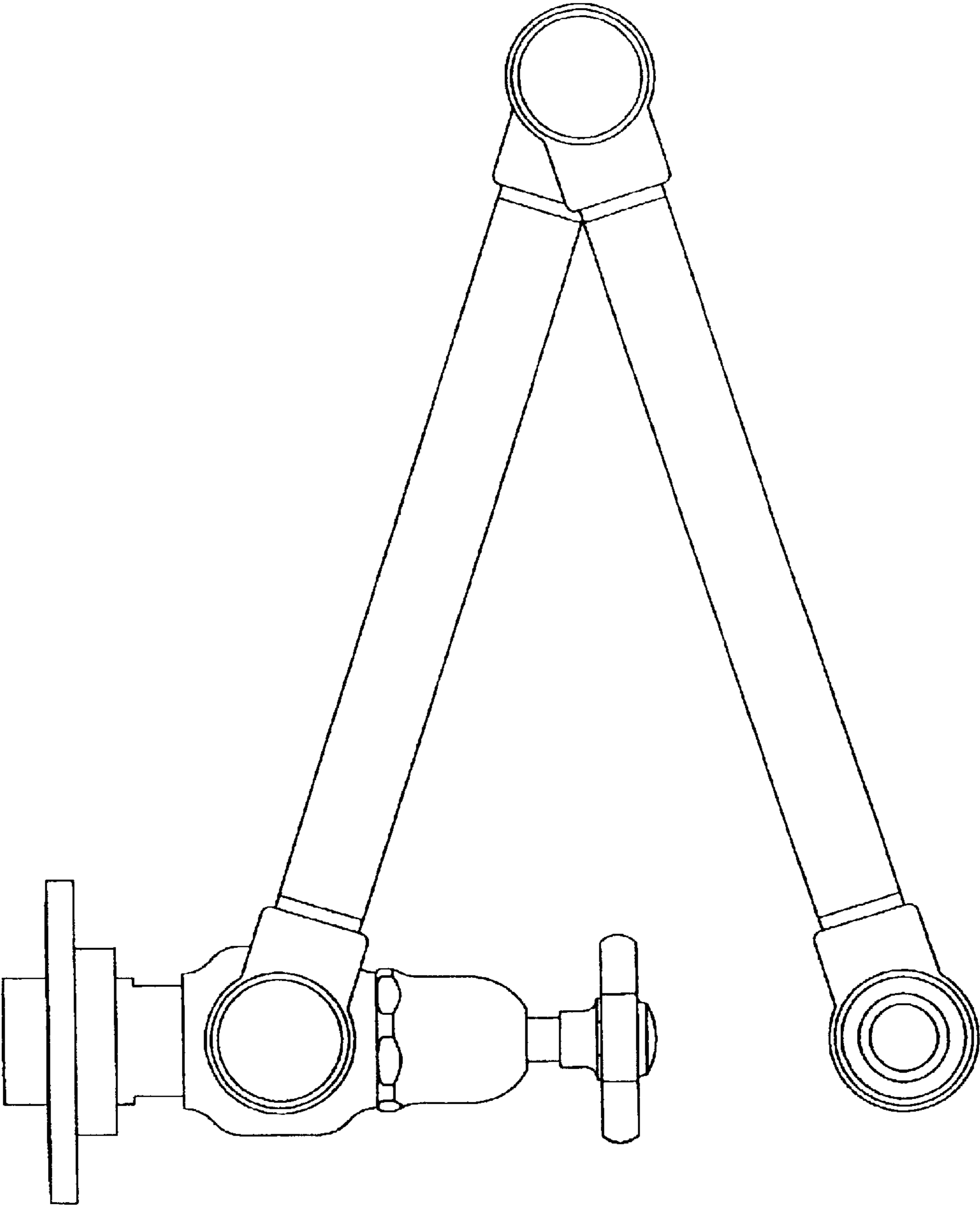


Fig. 3

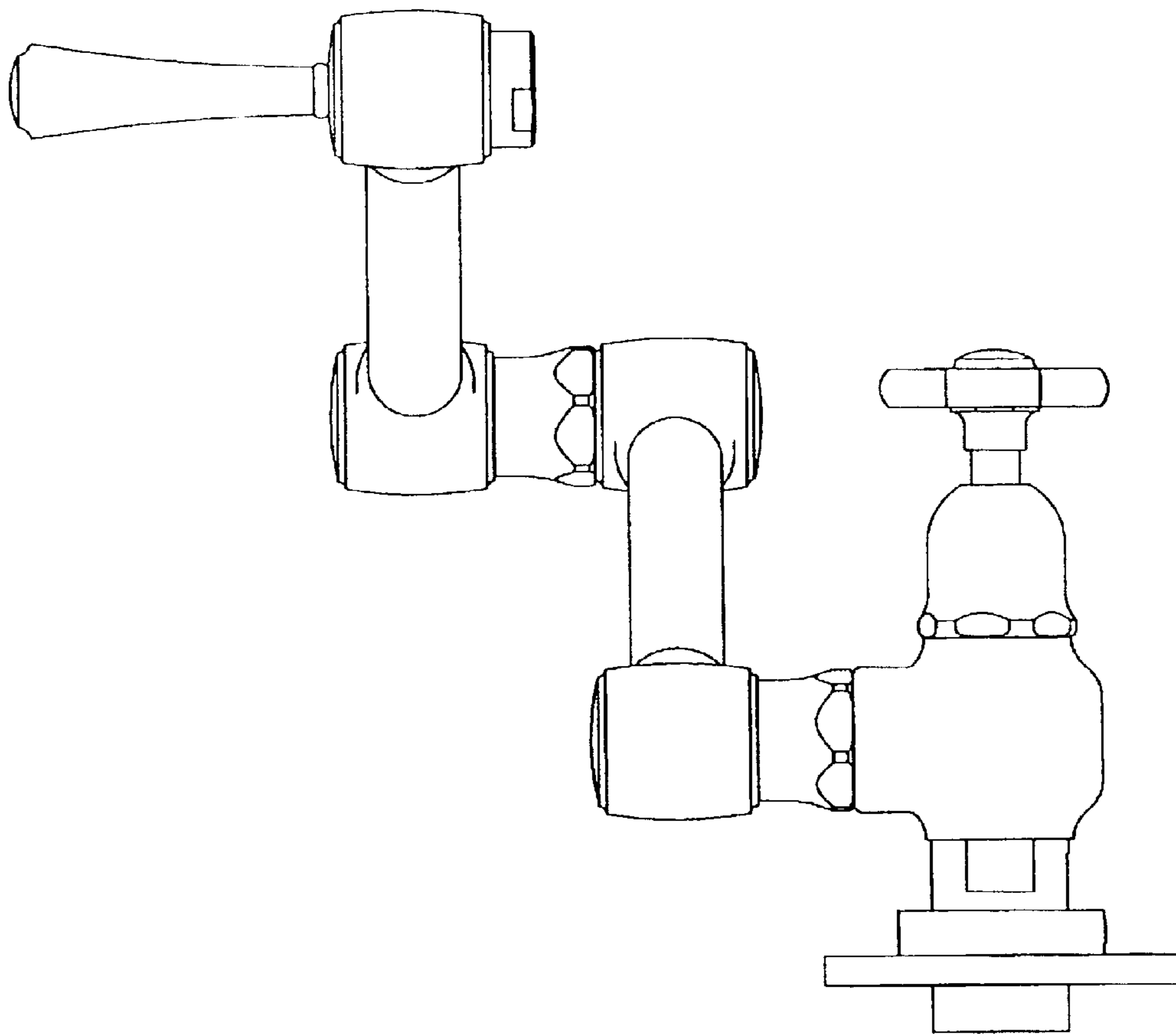


Fig. 4

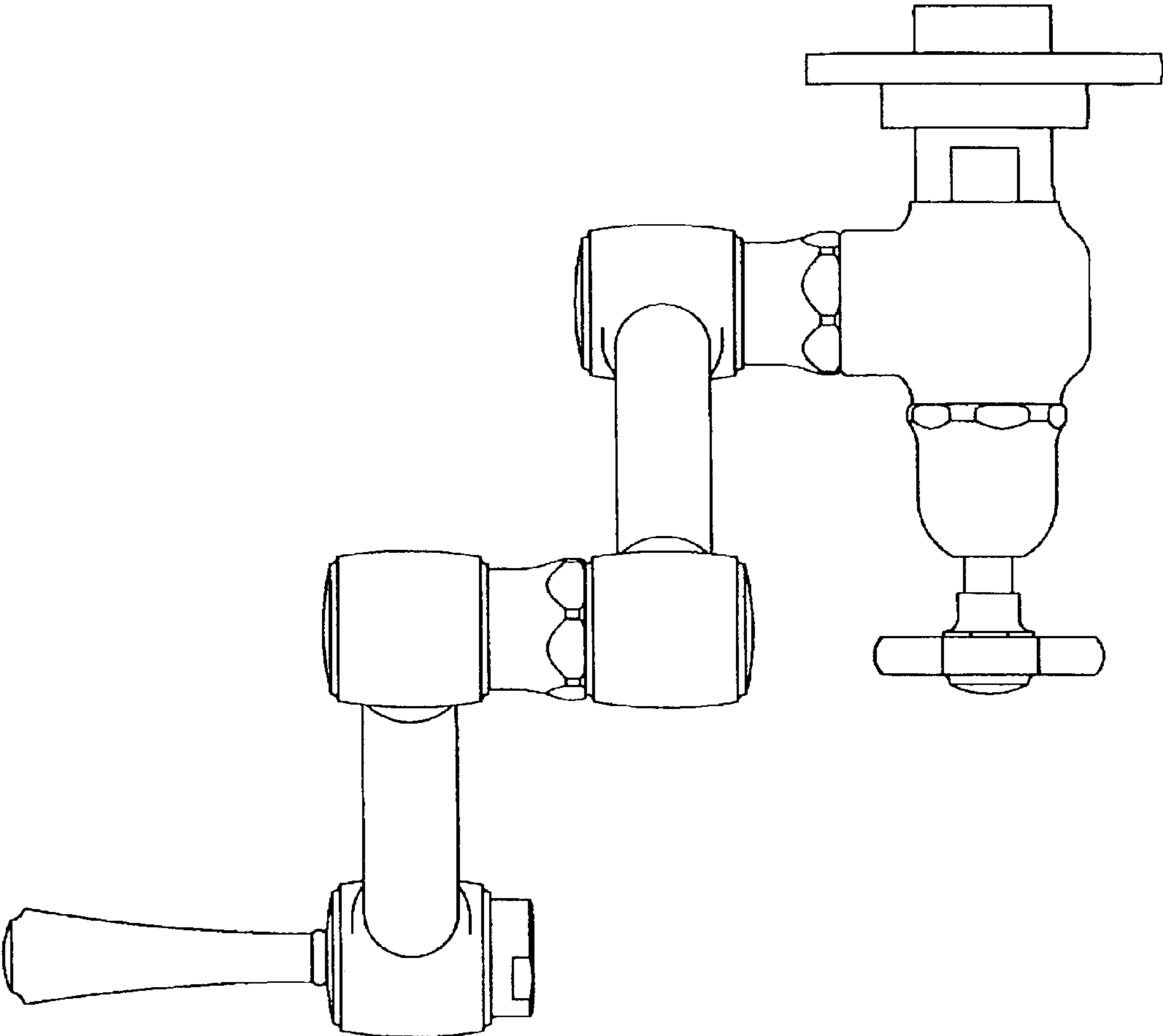


Fig. 5

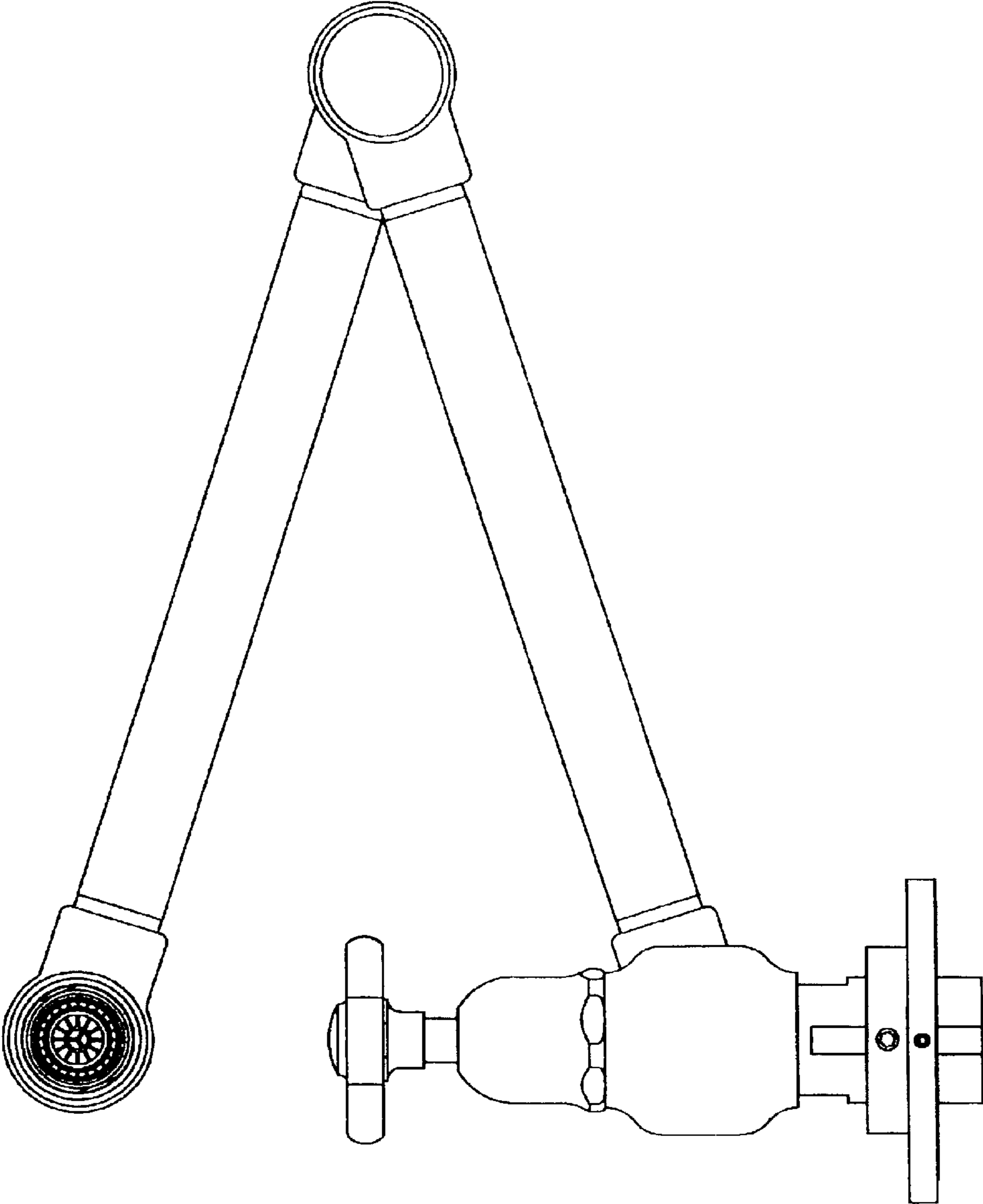


Fig. 6

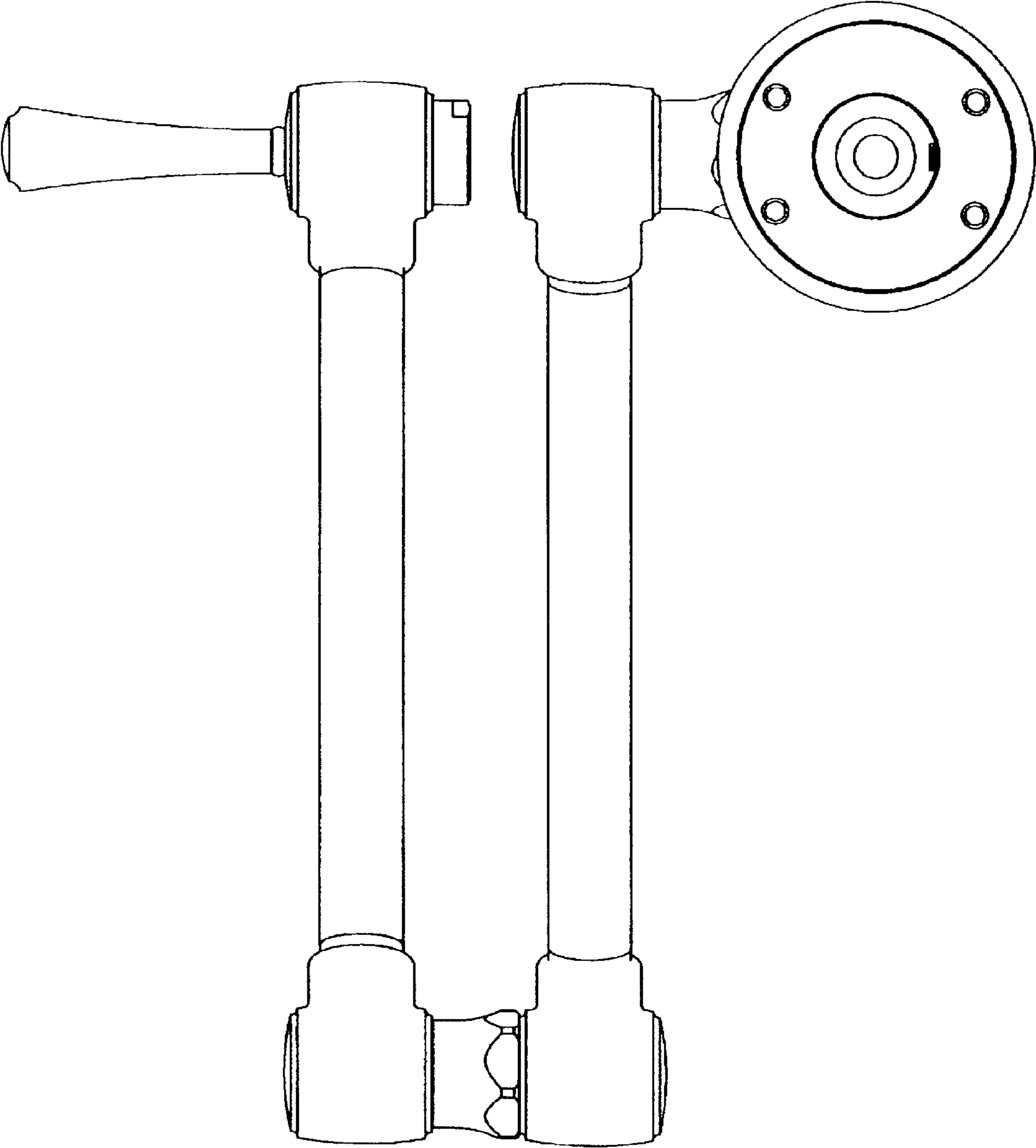


Fig. 7

