



US00D492392S1

(12) **United States Design Patent**
Pohl et al.

(10) **Patent No.:** **US D492,392 S**
(45) **Date of Patent:** **** Jun. 29, 2004**

(54) **LAVATORY FAUCET**

D357,730 S * 4/1995 Saperstein D23/252
D466,982 S * 12/2002 Gerlach D23/242

(75) Inventors: **Achim Pohl**, Seeheim-Jugenheim (DE);
Thomas Fiegl, Darmstadt (DE)

* cited by examiner

(73) Assignee: **American Standard International Inc.**, New York, NY (US)

Primary Examiner—Louis S. Zarfaz
Assistant Examiner—Gregory Andoll

(**) Term: **14 Years**

(57) **CLAIM**

(21) Appl. No.: **29/179,440**

The ornamental design for a lavatory faucet, as shown and described.

(22) Filed: **Apr. 9, 2003**

DESCRIPTION

(51) **LOC (7) Cl.** **23-01**

FIG. 1 is a perspective view of a lavatory faucet showing our new design;

(52) **U.S. Cl.** **D23/242; D23/241**

FIG. 2 is a top plan view thereof;

(58) **Field of Search** D23/250–257;
4/671–678; 137/801

FIG. 3 is a front elevational view thereof;

FIG. 4 is a right side elevational view thereof, the left side view being a mirror image of the right side;

FIG. 5 is a rear elevational view thereof; and,

FIG. 6 is a bottom plan view.

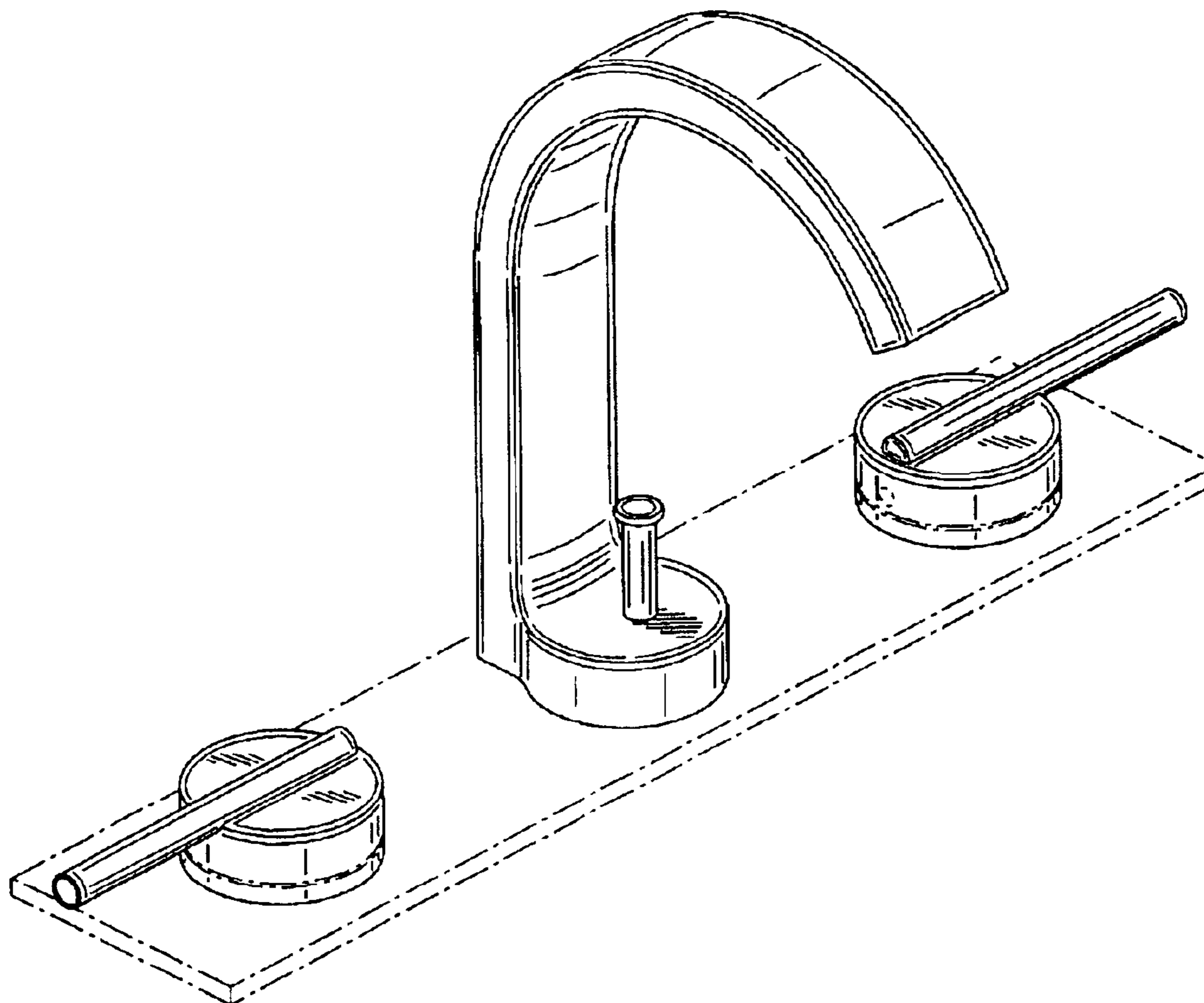
The broken lines in the Figures are for illustrative purposes only and form no part of the claimed design.

(56) **References Cited**

U.S. PATENT DOCUMENTS

D265,229 S * 6/1982 Paul D23/242
D280,232 S * 8/1985 Paul D23/242
D304,853 S * 11/1989 Pery D23/257

1 Claim, 6 Drawing Sheets



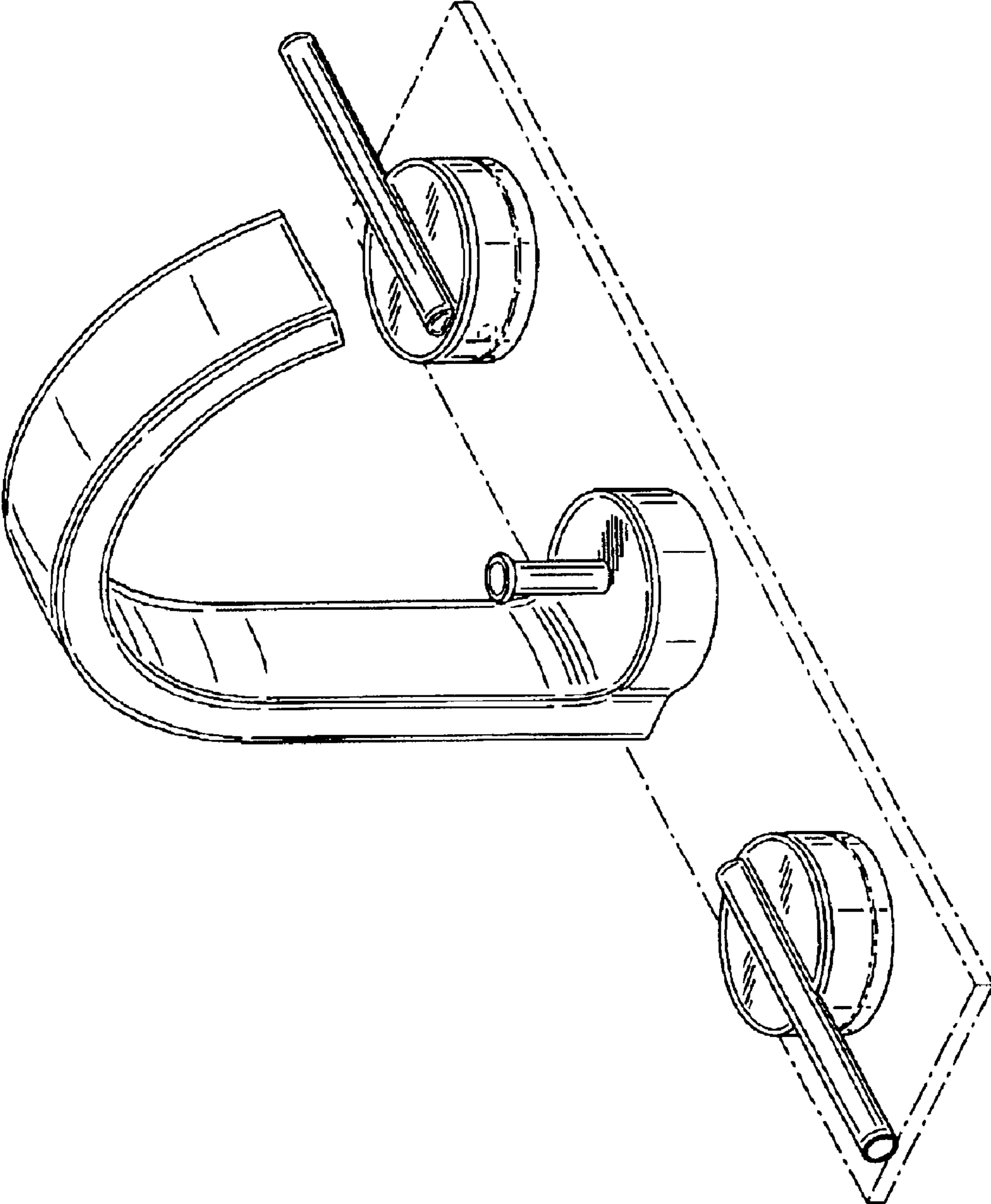


FIG. 1

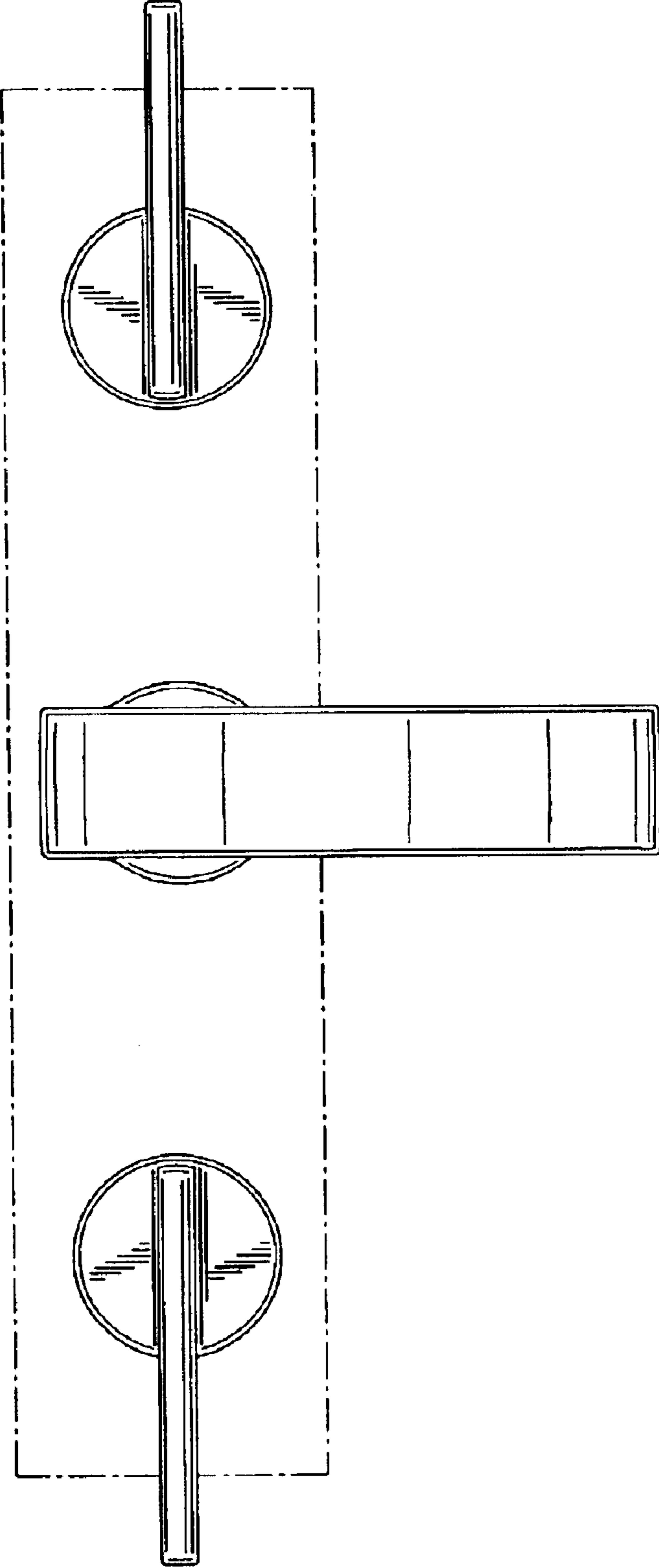
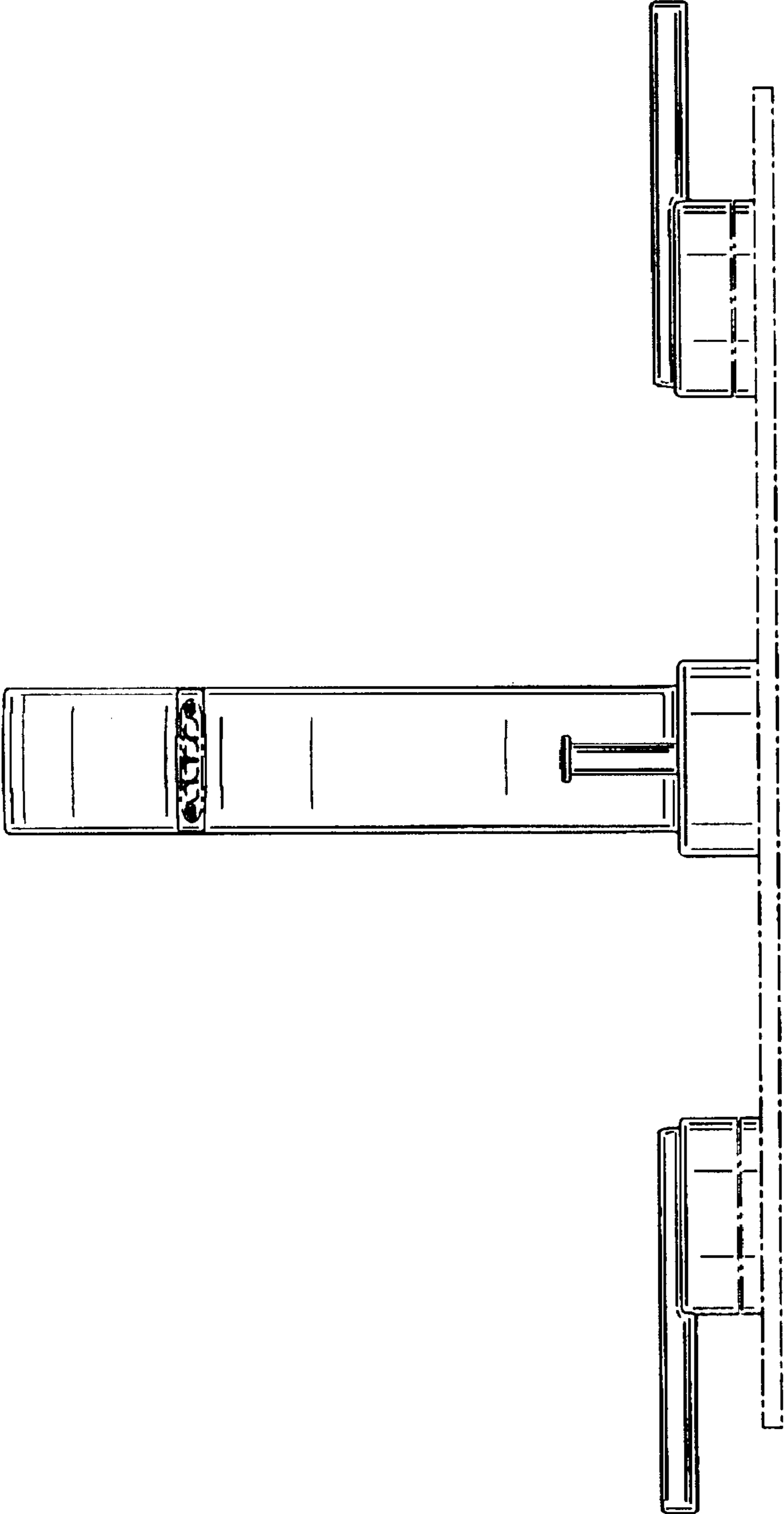


FIG. 2

FIG. 3



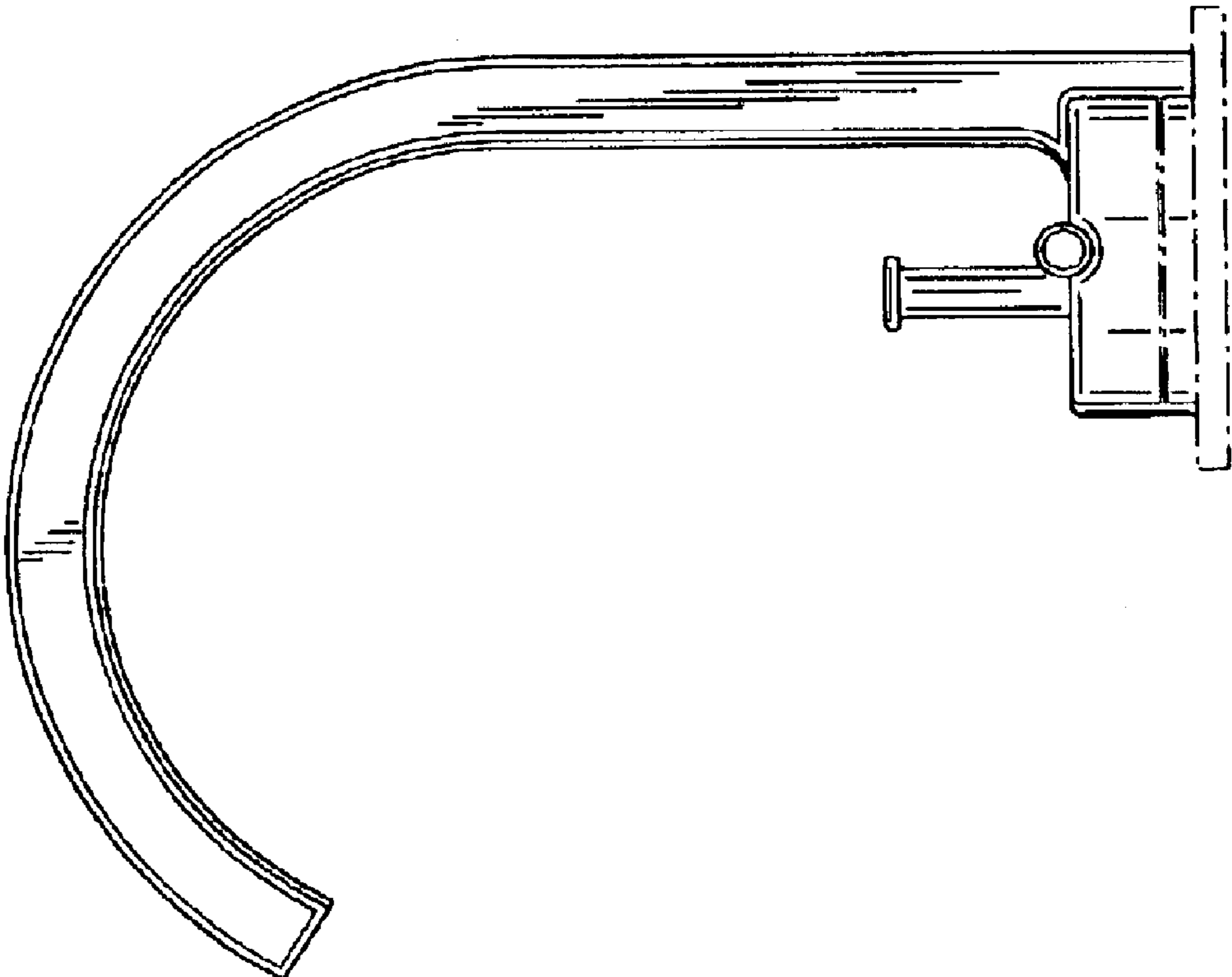
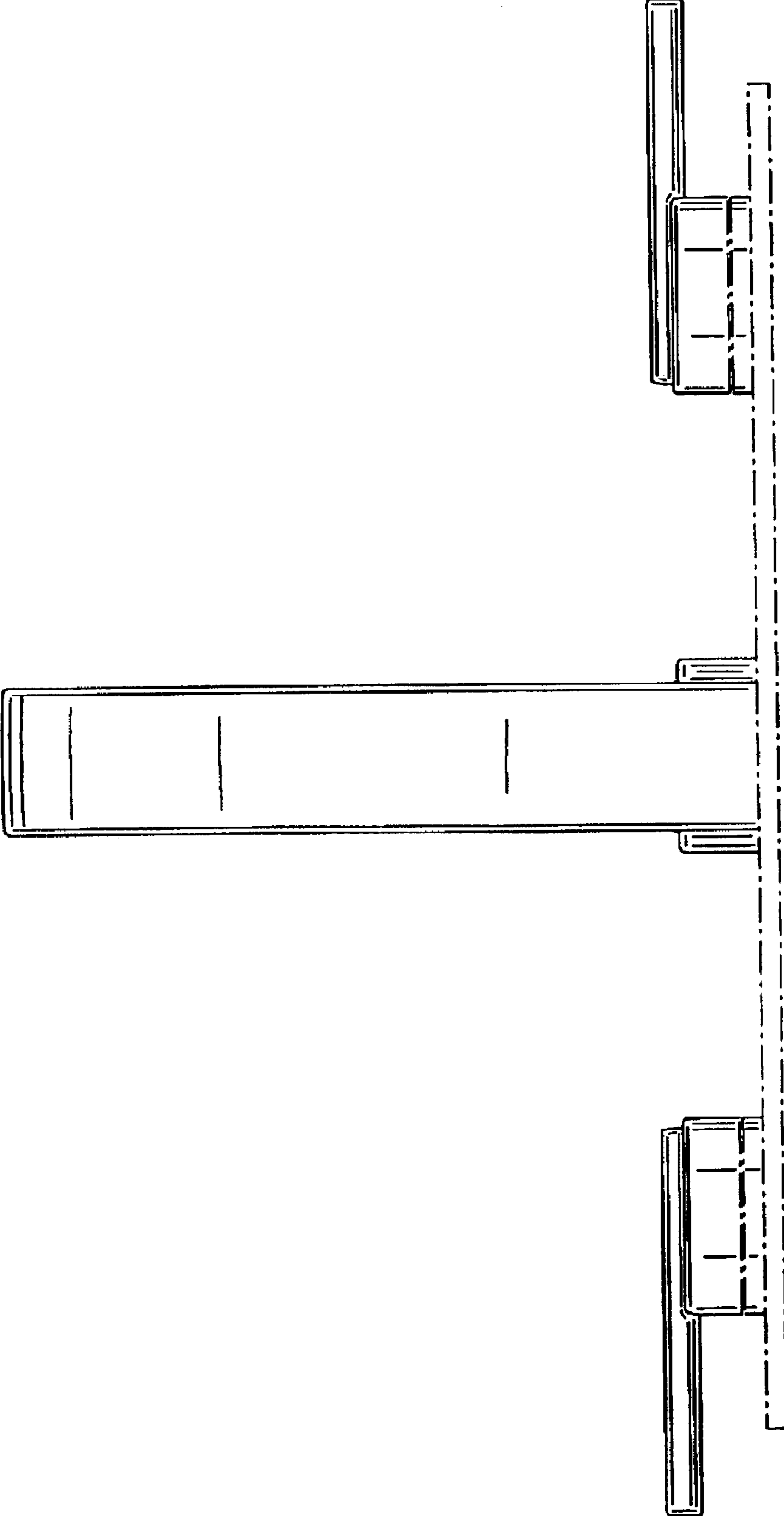


FIG. 4

FIG. 5



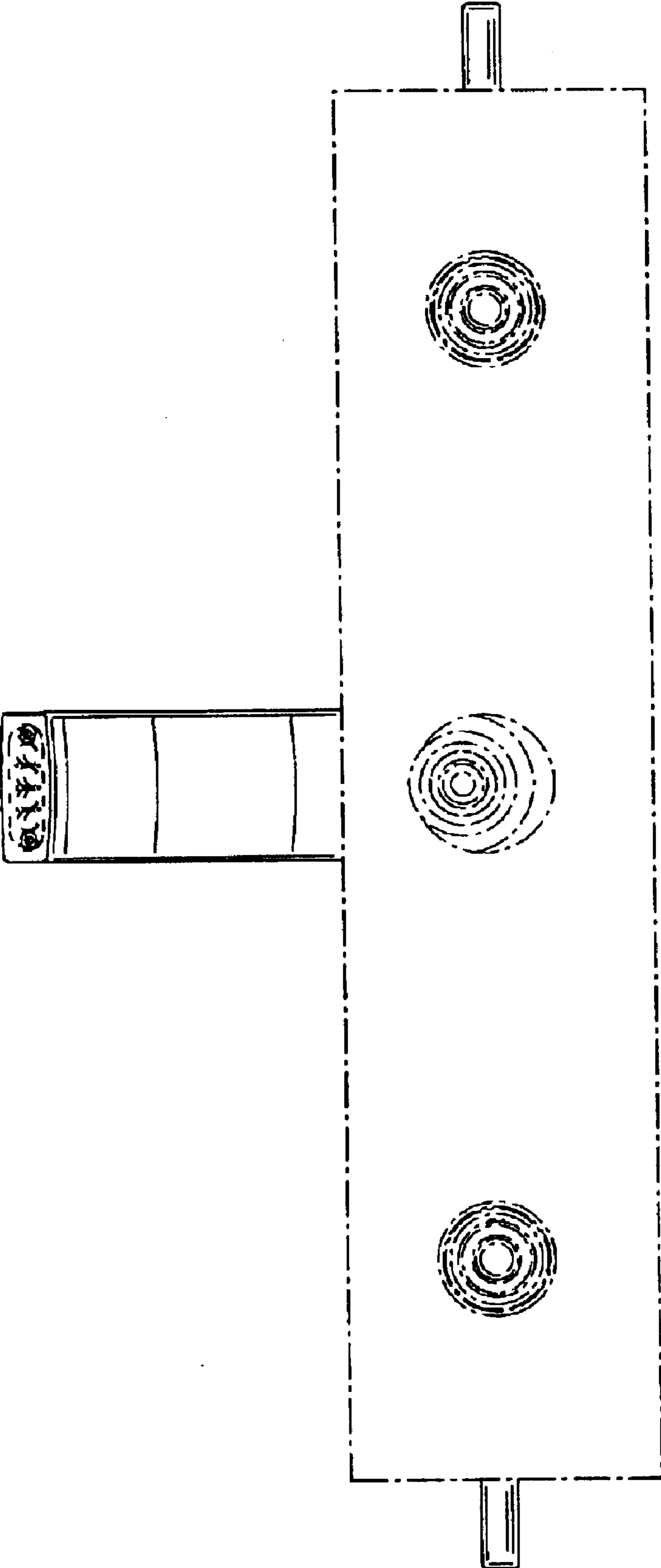


FIG. 6