

US00D492391S1

(12) **United States Design Patent**
Herbeau

(10) **Patent No.:** **US D492,391 S**
(45) **Date of Patent:** **** Jun. 29, 2004**

(54) **FAUCET**

(75) **Inventor:** **Lionel Herbeau, Lille (FR)**

(73) **Assignee:** **Herbeau Creations, Lille (FR)**

(**) **Term:** **14 Years**

(21) **Appl. No.:** **29/186,231**

(22) **Filed:** **Jul. 14, 2003**

(51) **LOC (7) Cl.** **23-01**

(52) **U.S. Cl.** **D23/241; D23/242**

(58) **Field of Search** **D23/238-257;**
4/675-678; 137/801

(56) **References Cited**

U.S. PATENT DOCUMENTS

| | | | | | |
|------------|---|---------|-----------------|-------|---------|
| D29,705 S | * | 11/1898 | Buick | | D23/240 |
| D466,981 S | * | 12/2002 | Cosolito et al. | | D23/242 |
| D472,608 S | * | 4/2003 | Shieh | | D23/241 |

* cited by examiner

Primary Examiner—Louis S. Zarfaz

Assistant Examiner—Gregory Andoll

(74) *Attorney, Agent, or Firm*—Harrison & Egbert

(57) **CLAIM**

I claim the ornamental design for a faucet, as shown and described.

DESCRIPTION

FIG. 1 is an upper perspective view of the faucet showing my design.

FIG. 2 is a side view thereof, wherein an opposite side view is a mirror image thereof;

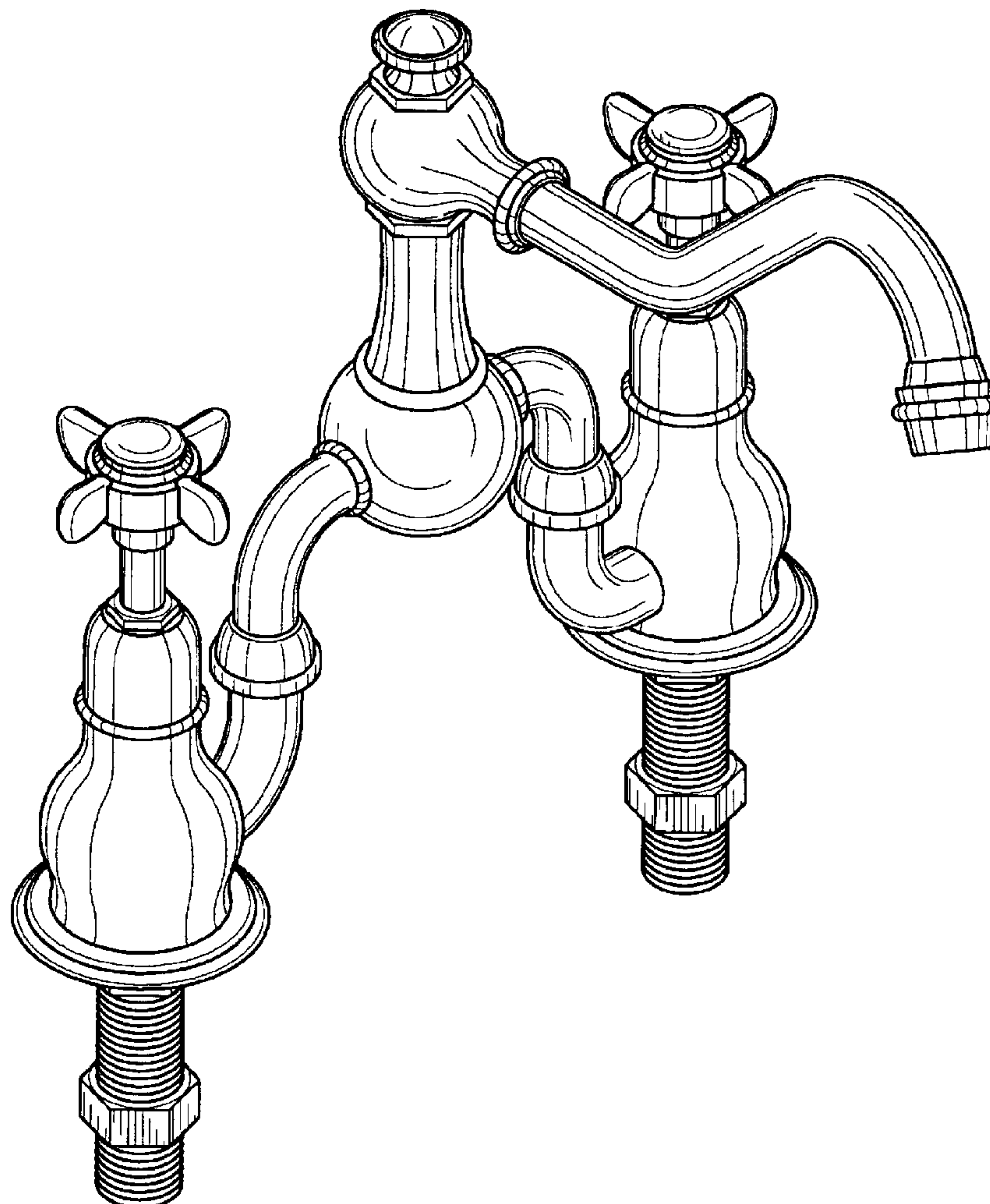
FIG. 3 is front elevation view thereof;

FIG. 4 is a back elevation view thereof;

FIG. 5 is a top plan view thereof; and,

FIG. 6 is a bottom plan view thereof.

1 Claim, 3 Drawing Sheets



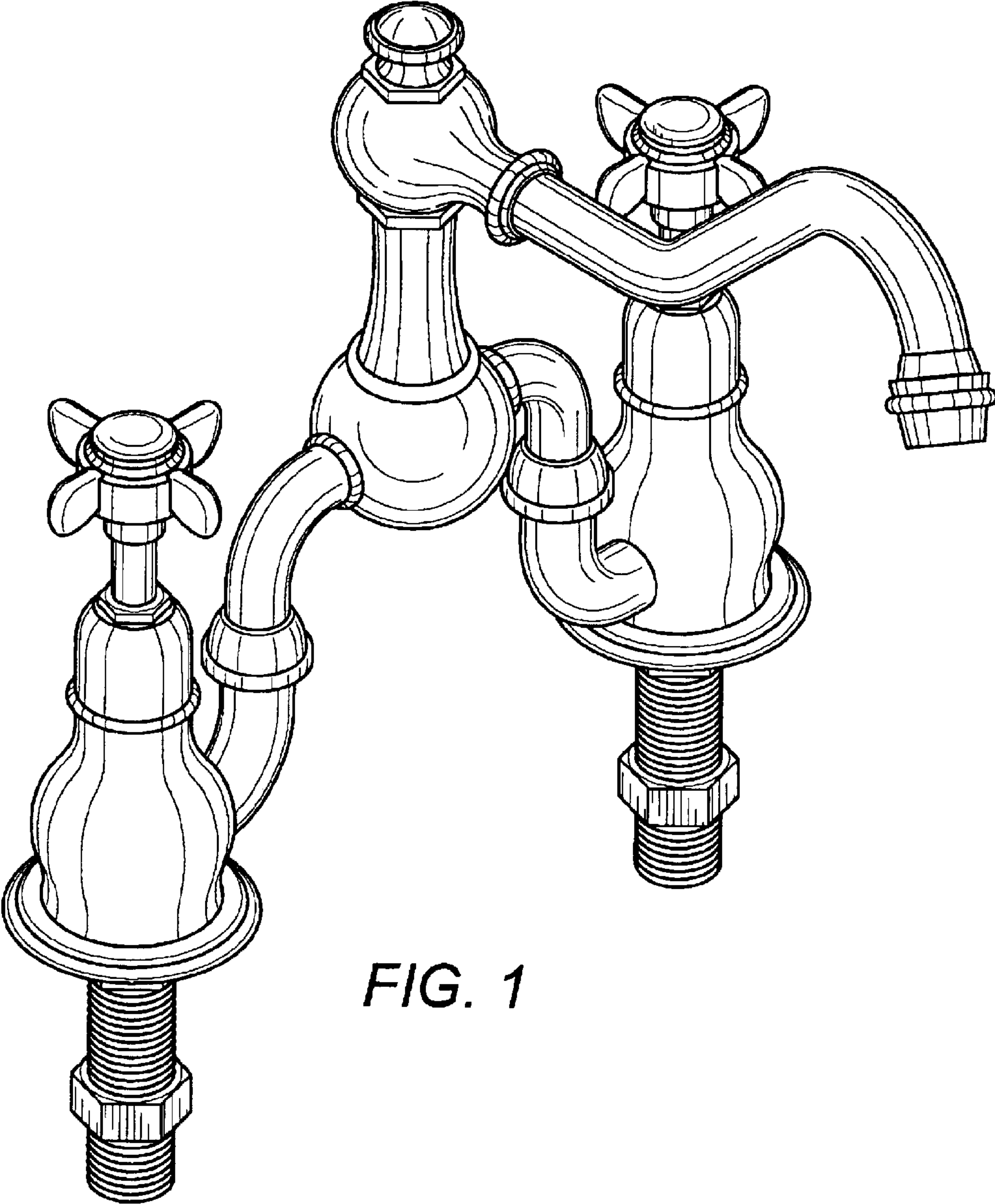


FIG. 1

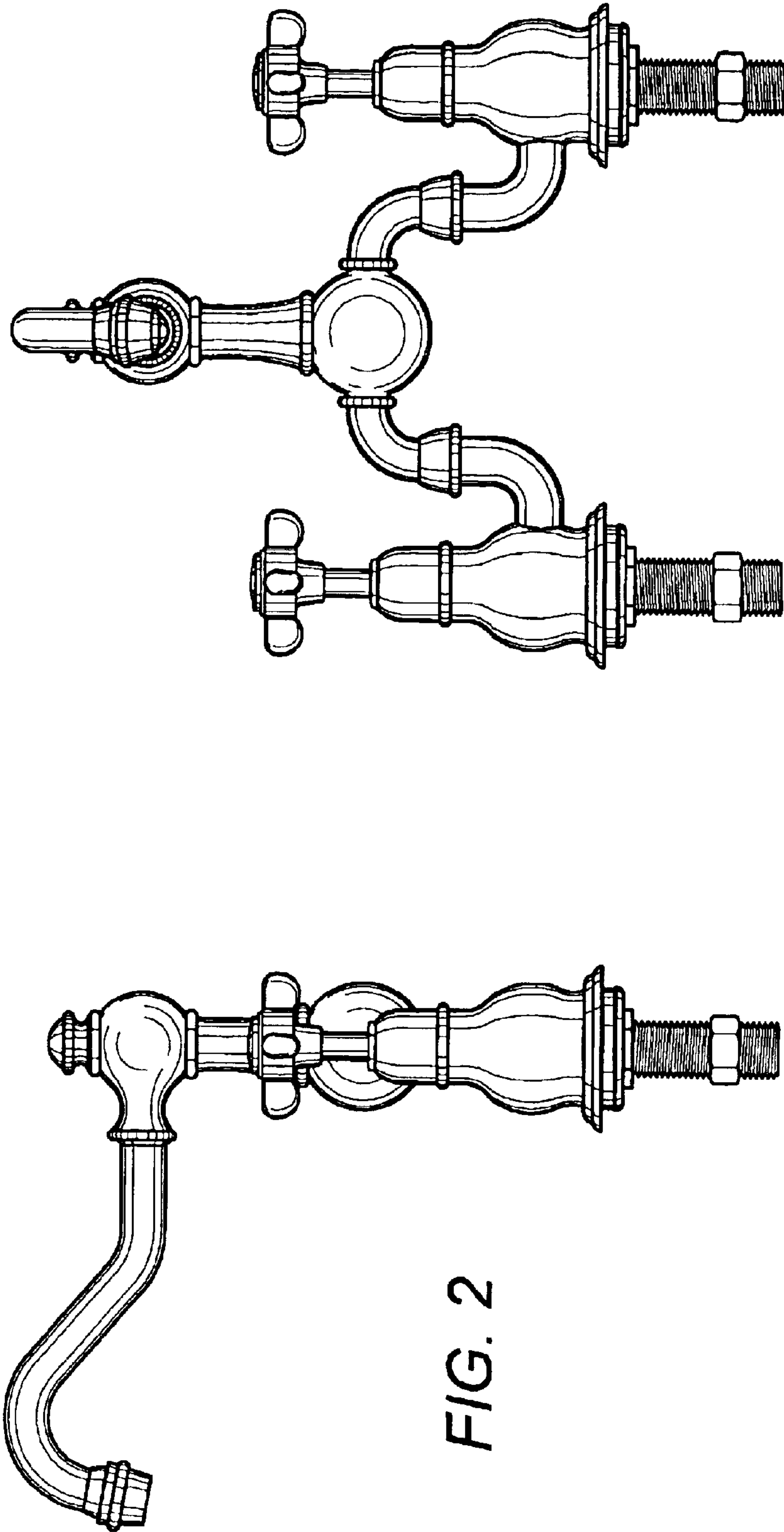


FIG. 2

FIG. 3

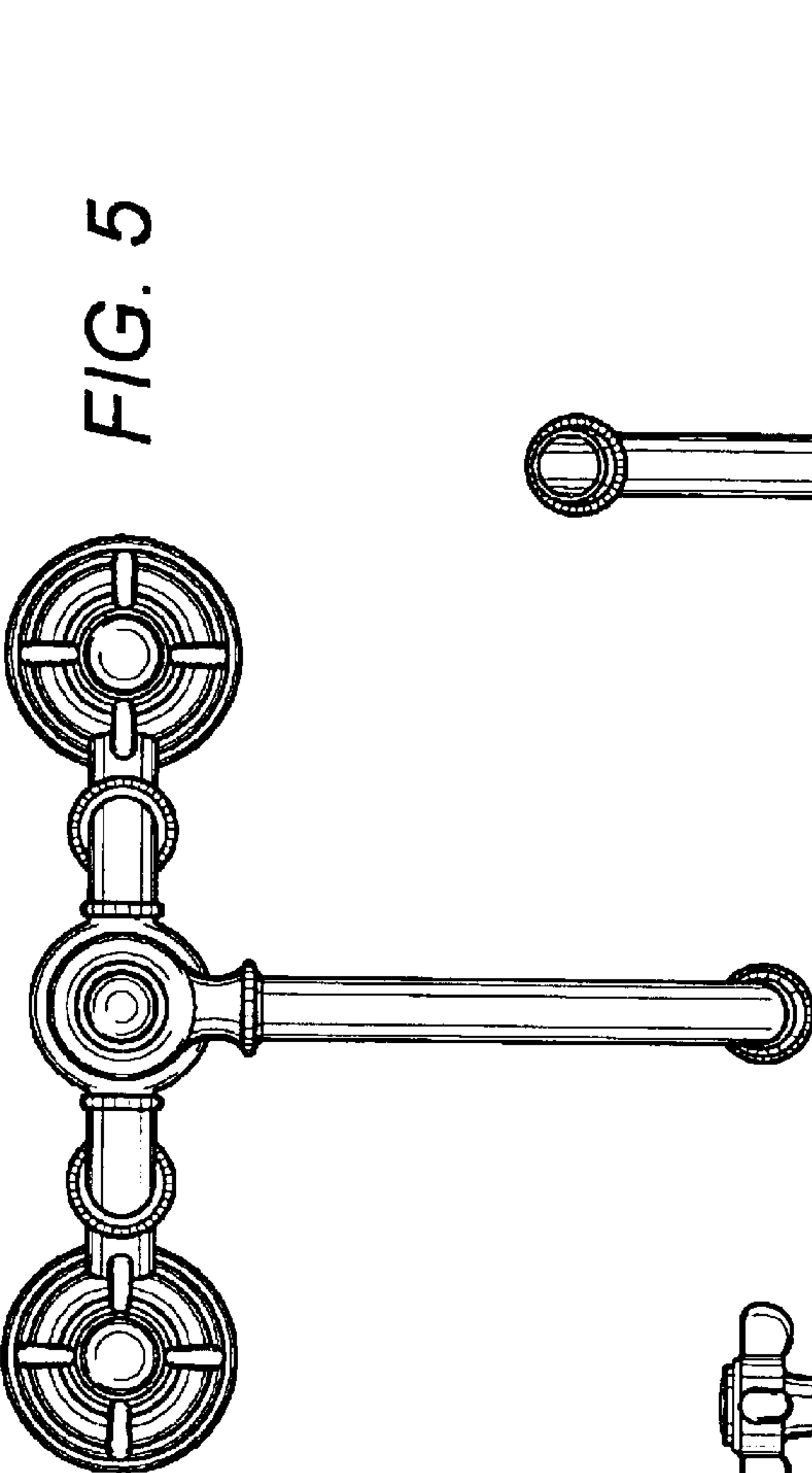


FIG. 5

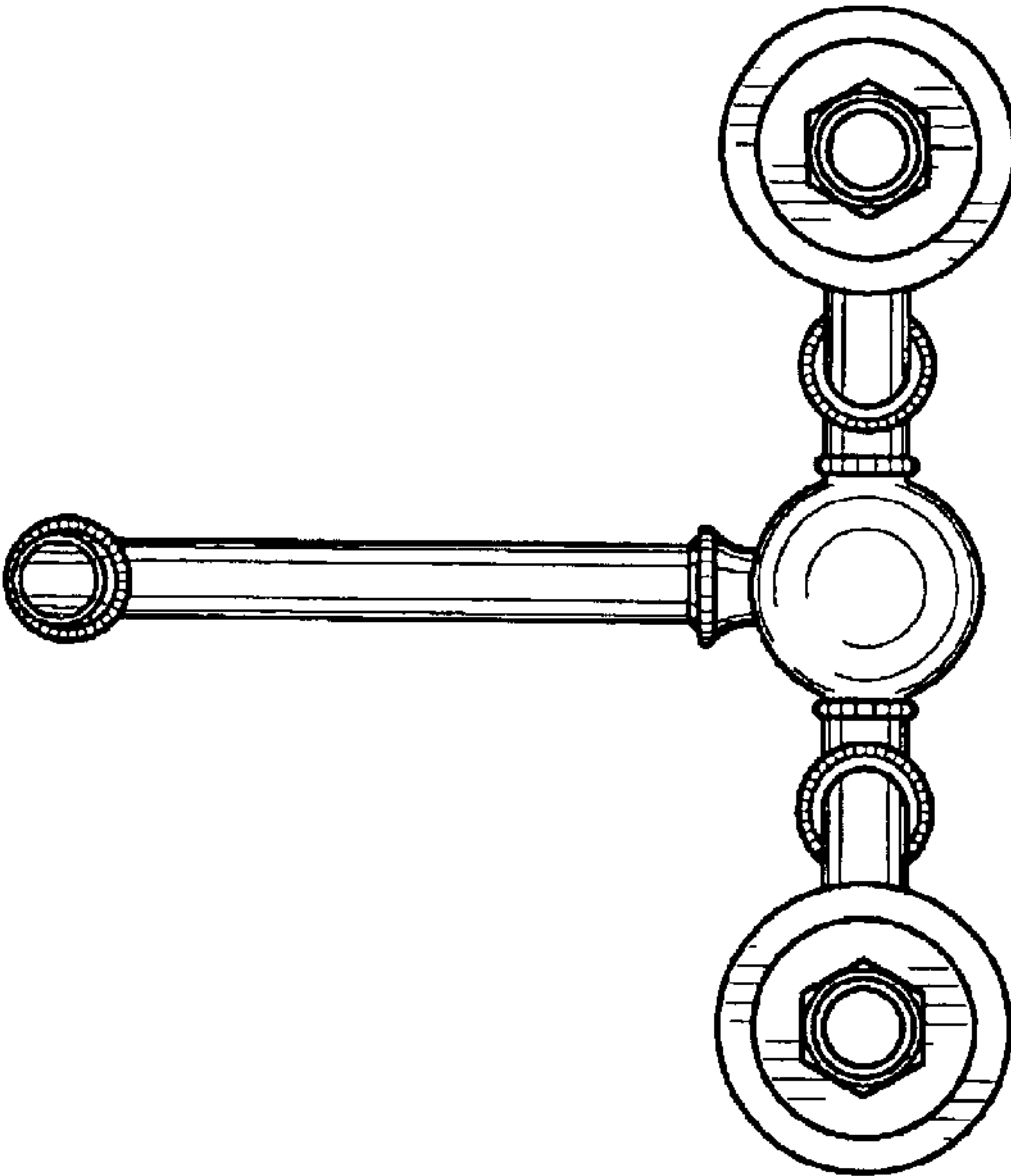


FIG. 6

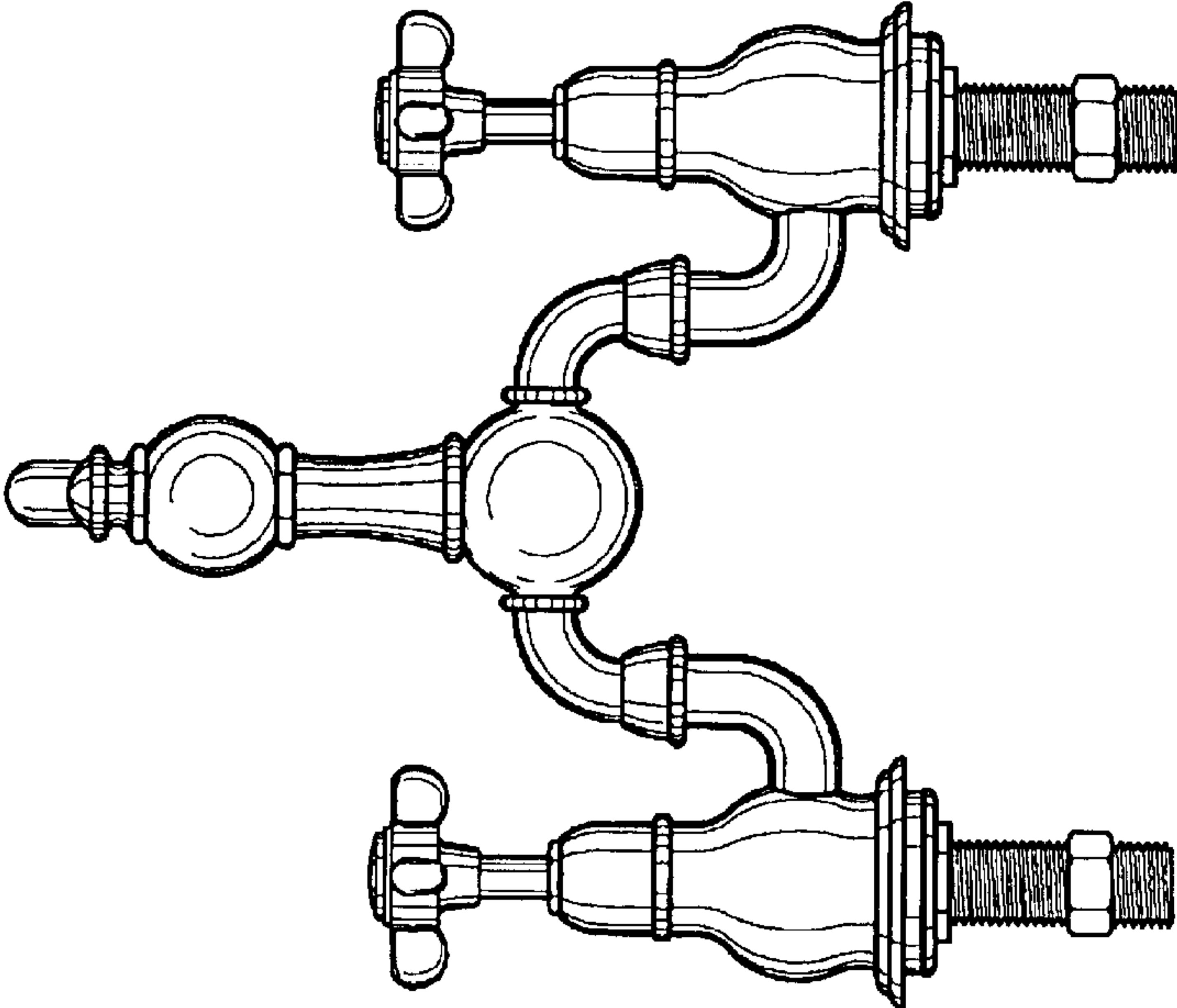


FIG. 4