

US00D492390S1

(12) **United States Design Patent**
Fraser et al.

(10) **Patent No.:** **US D492,390 S**
(45) **Date of Patent:** **** Jun. 29, 2004**

(54) **BATHTUB FAUCET**

(75) Inventors: **Simon Fraser**, Wellington (NZ);
Ferdinand Alexander Porsche, Gries
(AT); **Christian Schwamkrug**, Zell am
See (AT)

(73) Assignee: **Friedrich Grohe AG & Co. KG**,
Hemer (DE)

(**) Term: **14 Years**

(21) Appl. No.: **29/179,673**

(22) Filed: **Apr. 11, 2003**

(30) **Foreign Application Priority Data**

Nov. 15, 2002 (DE) 40209502

(51) **LOC (7) Cl.** **23-01**

(52) **U.S. Cl.** **D23/241; D23/242**

(58) **Field of Search** **D23/238-257;**
4/675-678; 137/801

(56) **References Cited**

U.S. PATENT DOCUMENTS

D339,411 S * 9/1993 Gottwald D23/241

D457,223 S * 5/2002 Gottwald D23/242
D458,987 S * 6/2002 Gottwald D23/242
D485,602 S * 1/2004 Lee D23/241

* cited by examiner

Primary Examiner—Louis S. Zarfes

Assistant Examiner—Gregory Andoll

(74) *Attorney, Agent, or Firm*—Herbert Dubno

(57) **CLAIM**

The ornamental design for a bathtub faucet, as shown and described.

DESCRIPTION

FIG. 1 is a top, front, left-side perspective view of a bathtub faucet showing our new design;

FIG. 2 is a front elevational view thereof;

FIG. 3 is a left side elevational thereof, the right side elevational view being mirror symmetrical thereto;

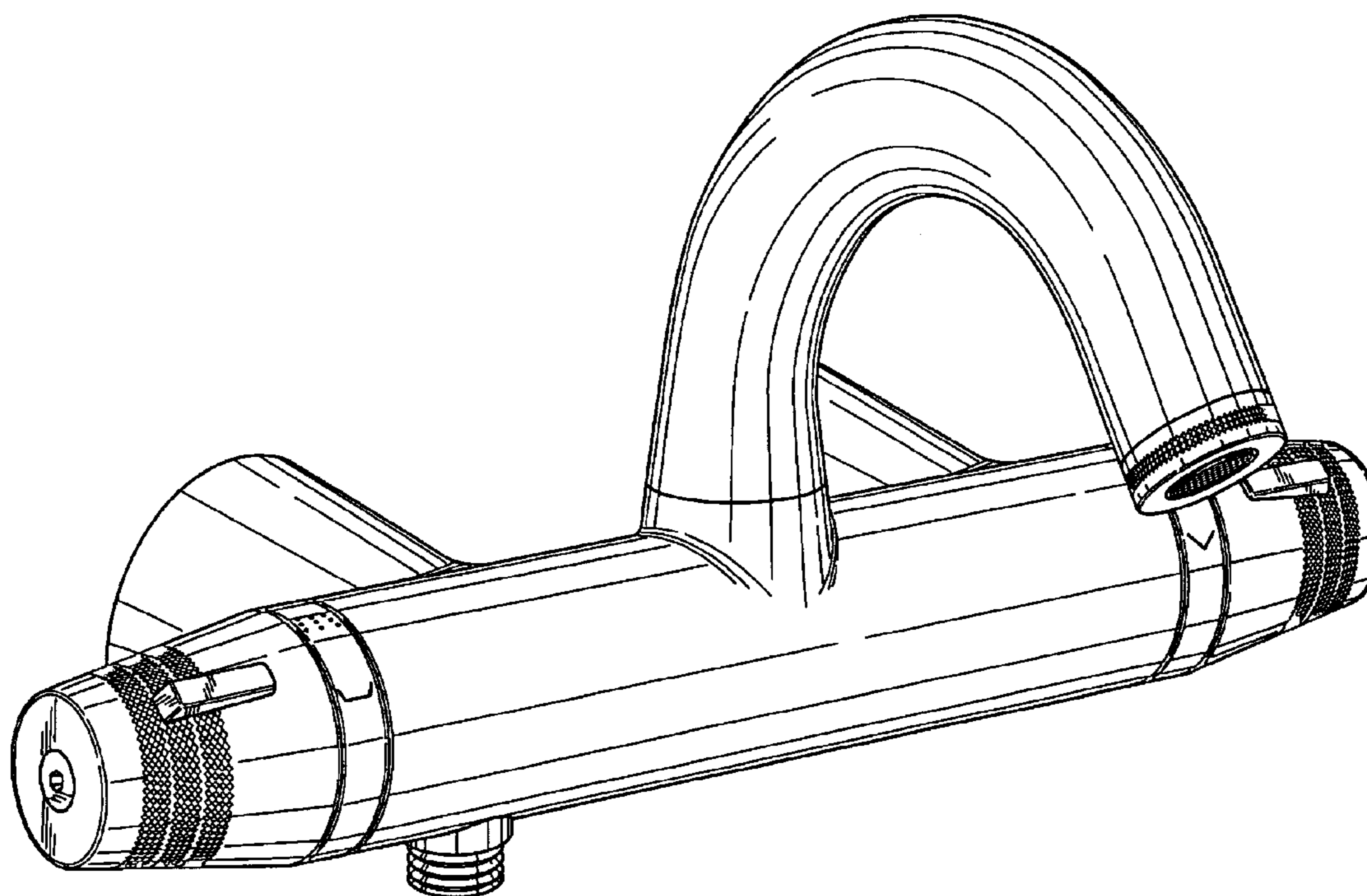
FIG. 4 is a top plan view thereof;

FIG. 5 is a rear elevational view thereof; and,

FIG. 6 is a bottom plan view thereof.

The broken lines in the Figures are for illustrative purposes only and form no part of the claimed design.

1 Claim, 6 Drawing Sheets



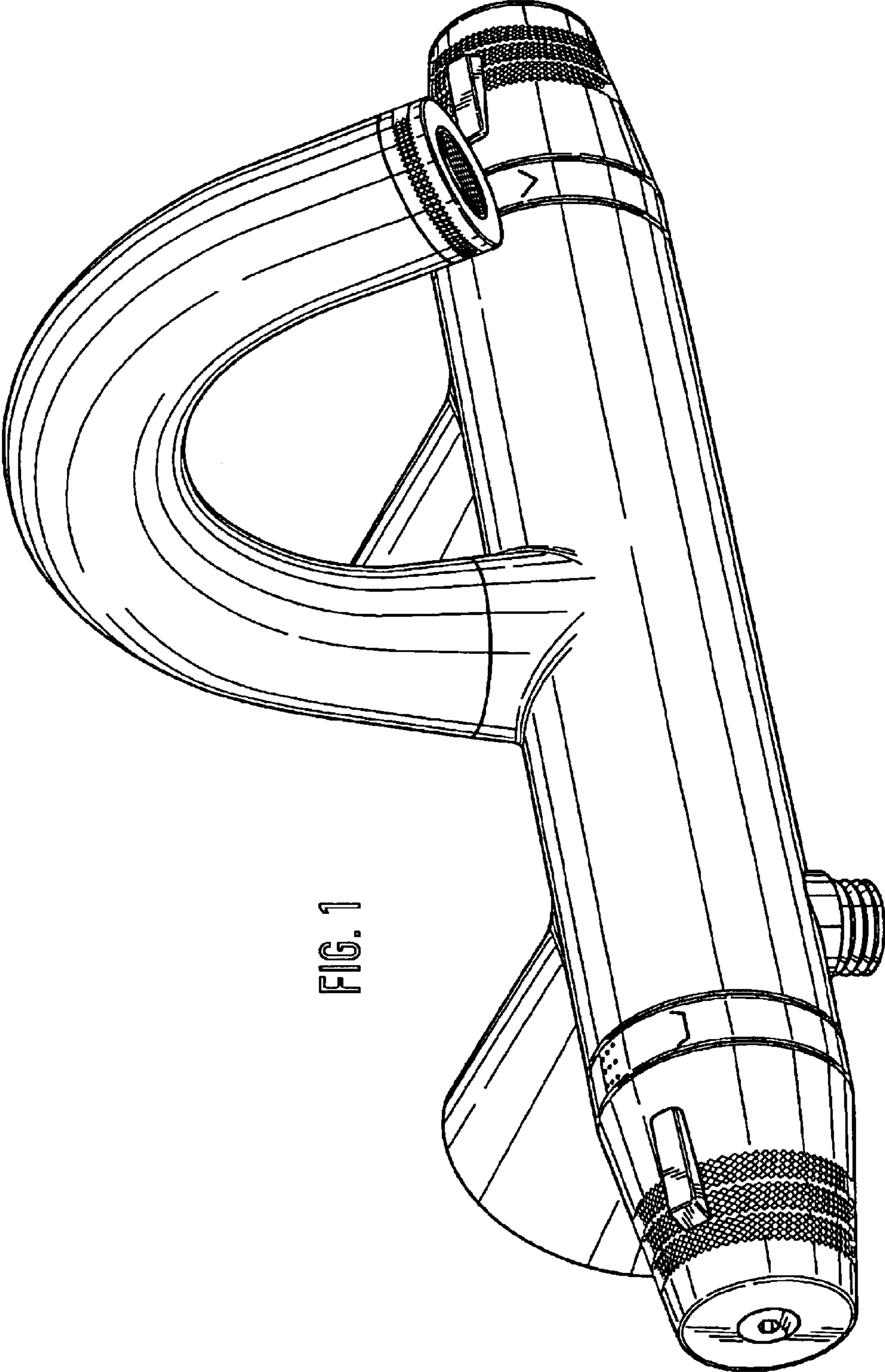


FIG. 1

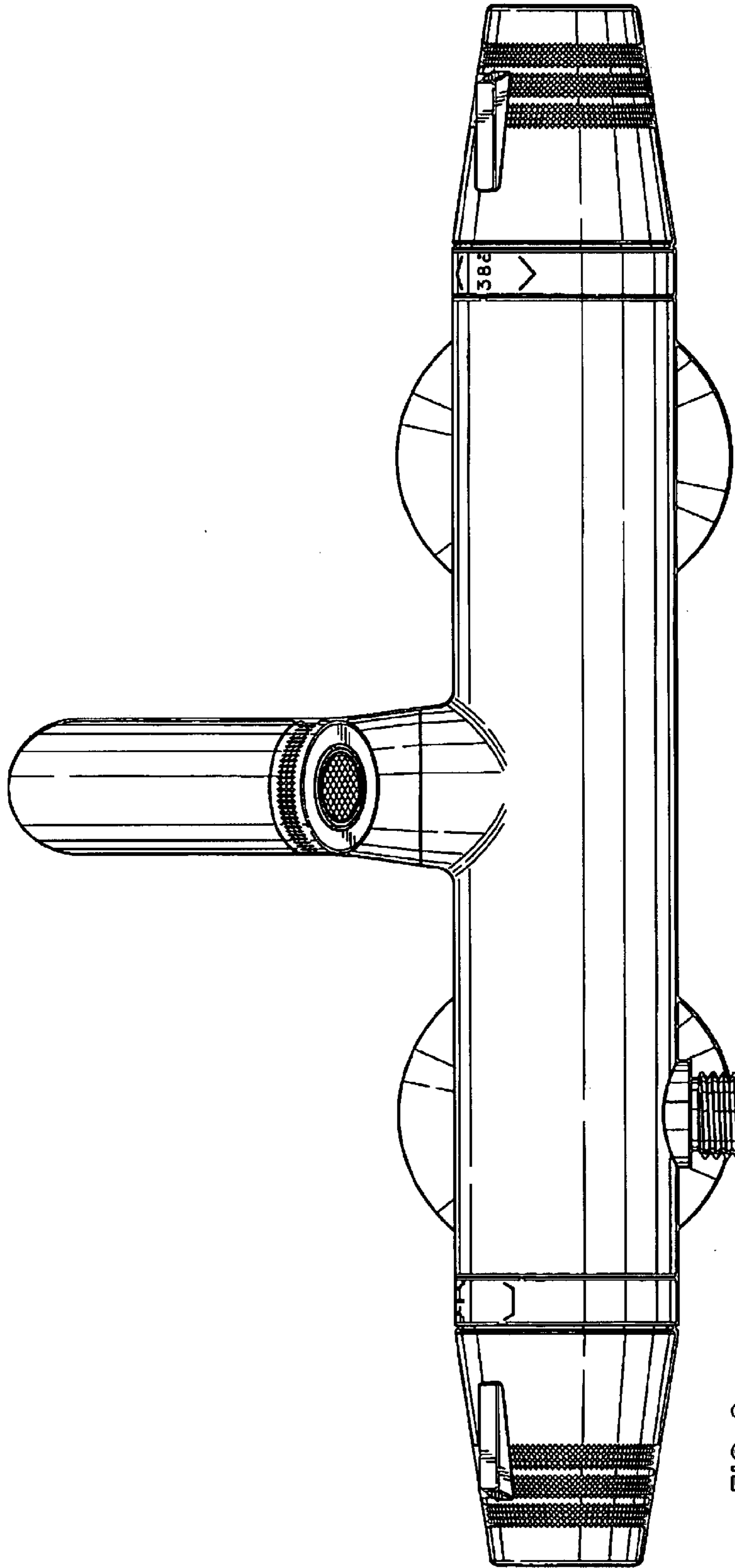


FIG. 2

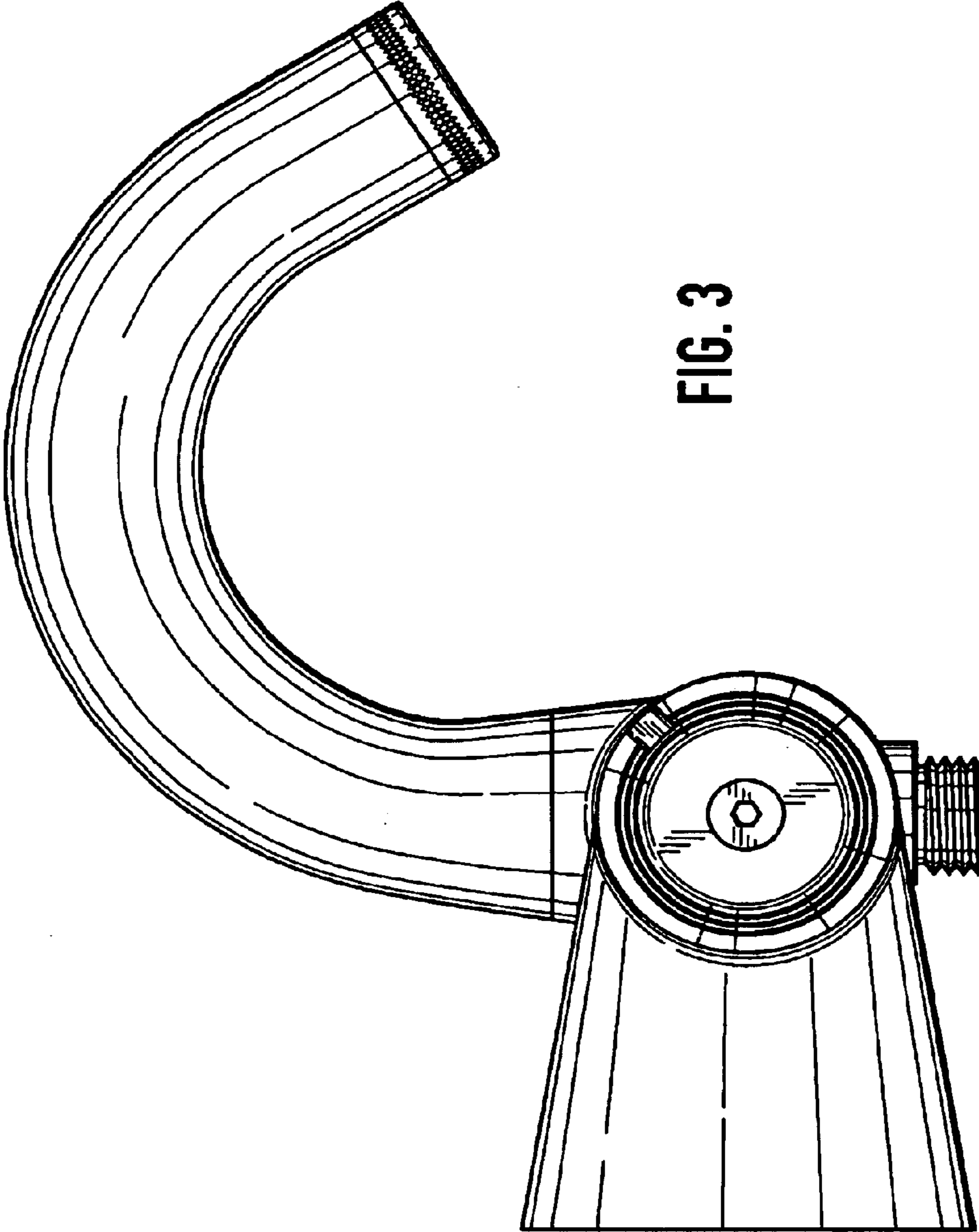


FIG. 3

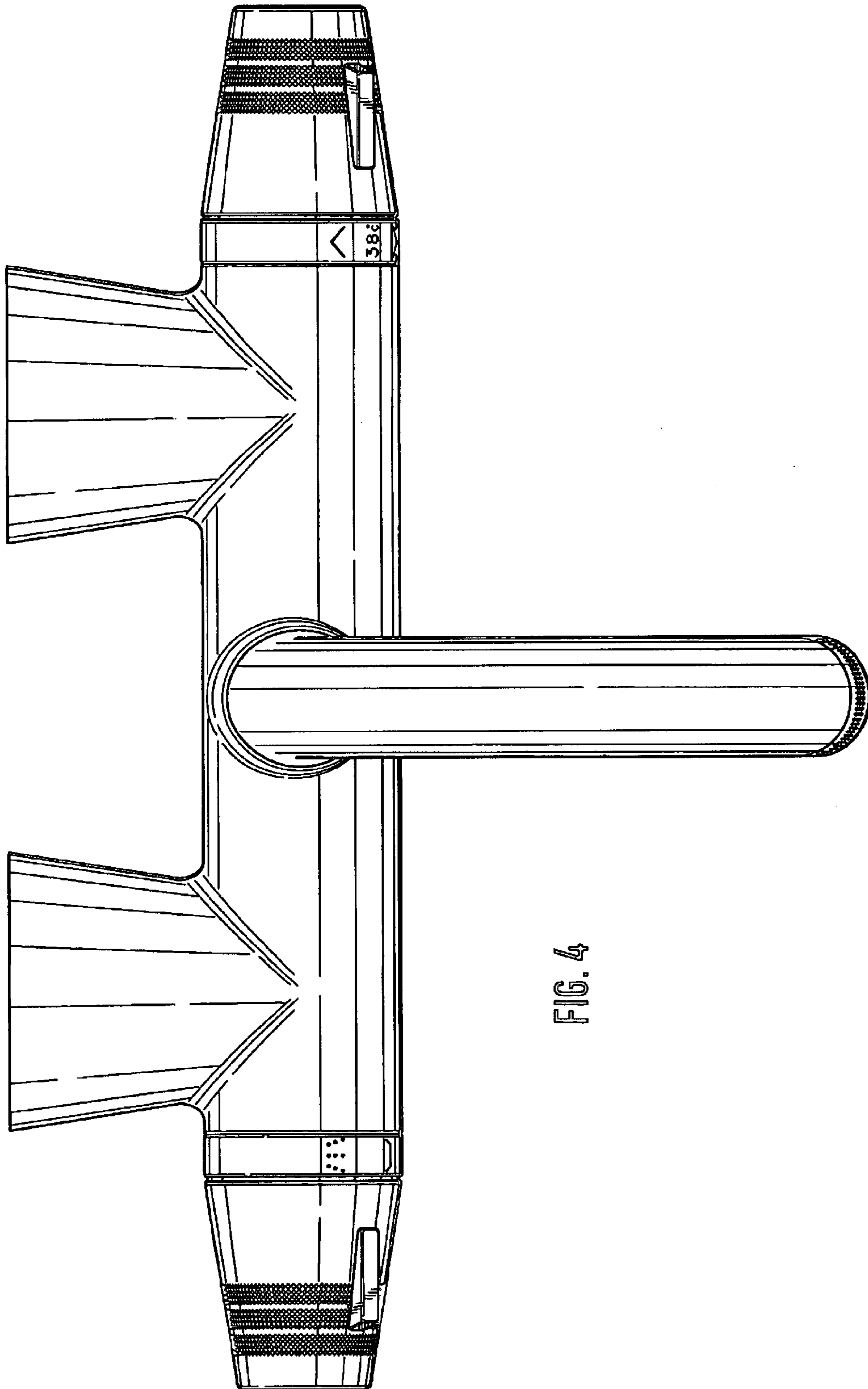


FIG. 4

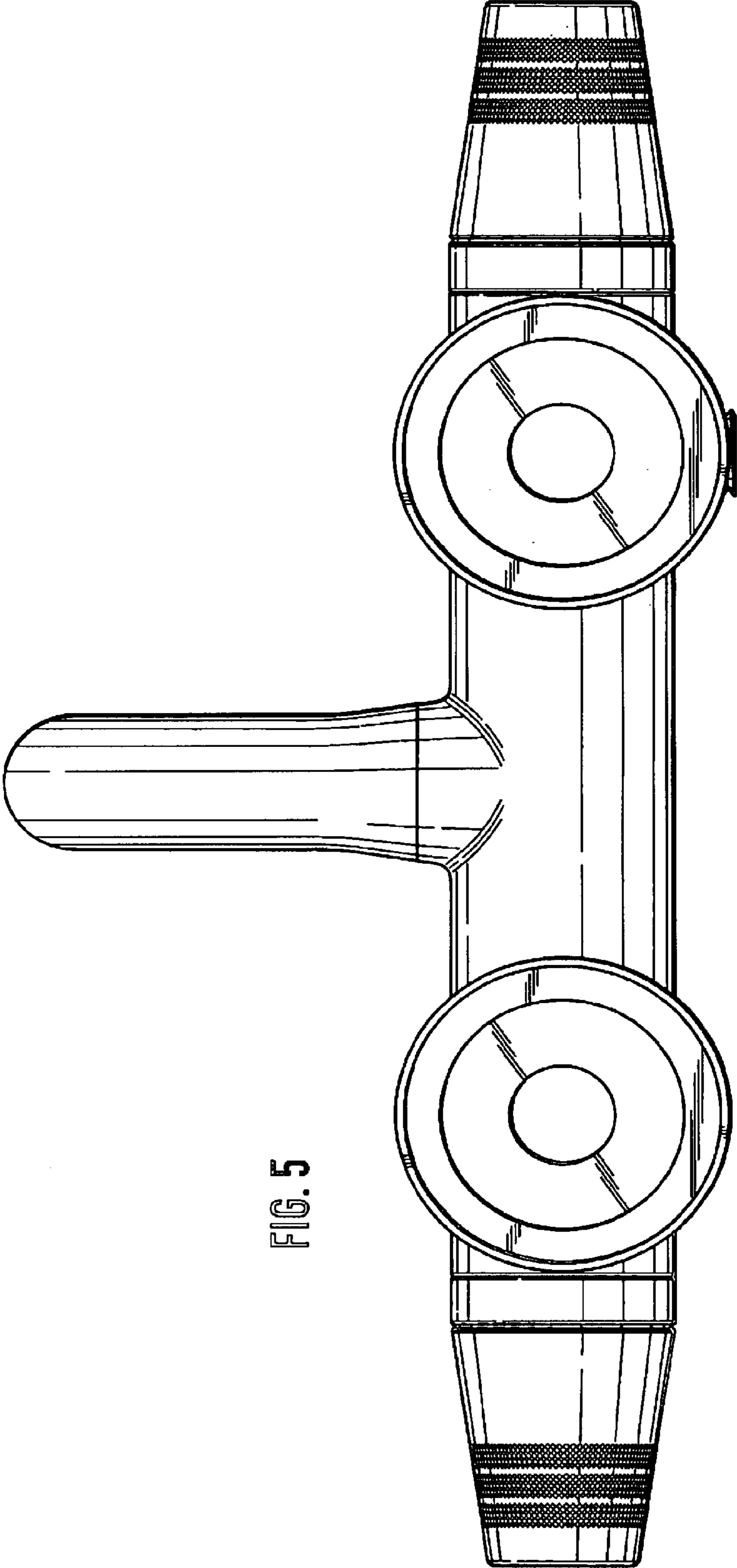


FIG. 5

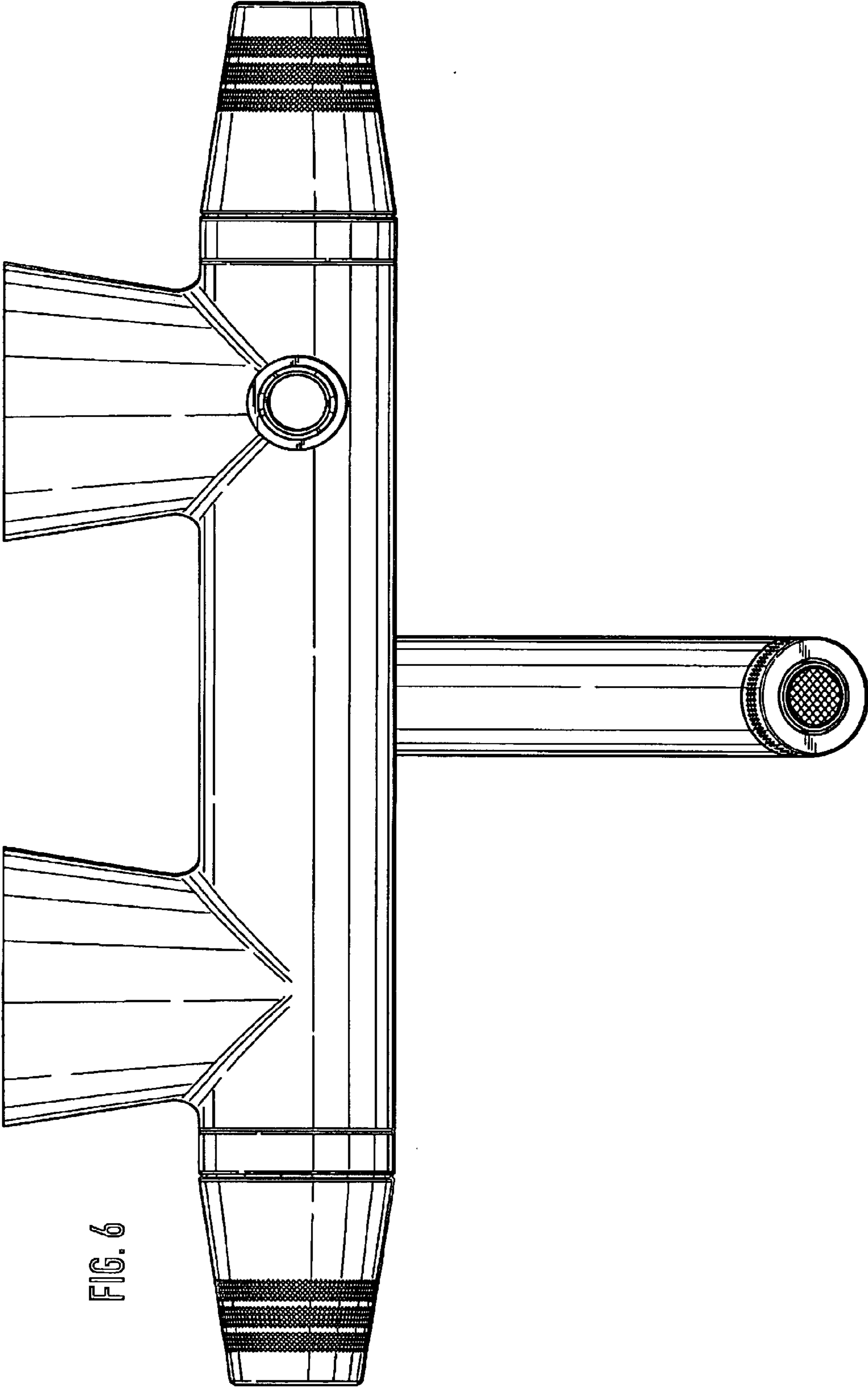


FIG. 6