

US00D492388S1

(12) **United States Design Patent**  
**Herbeau**

(10) **Patent No.:** **US D492,388 S**  
(45) **Date of Patent:** **\*\* Jun. 29, 2004**

(54) **FAUCET**

(75) **Inventor:** **Lionel Herbeau, Lille (FR)**

(73) **Assignee:** **Herbeau Creations, Lille (FR)**

(\*\*) **Term:** **14 Years**

(21) **Appl. No.:** **29/186,232**

(22) **Filed:** **Jul. 14, 2003**

(51) **LOC (7) Cl.** ..... **23-01**

(52) **U.S. Cl.** ..... **D23/238**

(58) **Field of Search** ..... **D23/238-257;**  
**4/675-678; 137/801**

(56) **References Cited**

**U.S. PATENT DOCUMENTS**

D439,635 S	*	3/2001	Robbins	.....	D23/239
D471,255 S	*	3/2003	Friedrich	.....	D23/238
D477,858 S	*	7/2003	Friedrich	.....	D23/238

\* cited by examiner

*Primary Examiner*—Louis S. Zarfaz

*Assistant Examiner*—Gregory Andoll

(74) *Attorney, Agent, or Firm*—Harrison & Egbert

(57) **CLAIM**

I claim the ornamental design for a faucet, as shown and described.

**DESCRIPTION**

FIG. 1 is an upper perspective view of the faucet showing my design.

FIG. 2 is a side view thereof, wherein an opposite side view is a mirror image thereof;

FIG. 3 is a front elevation view thereof;

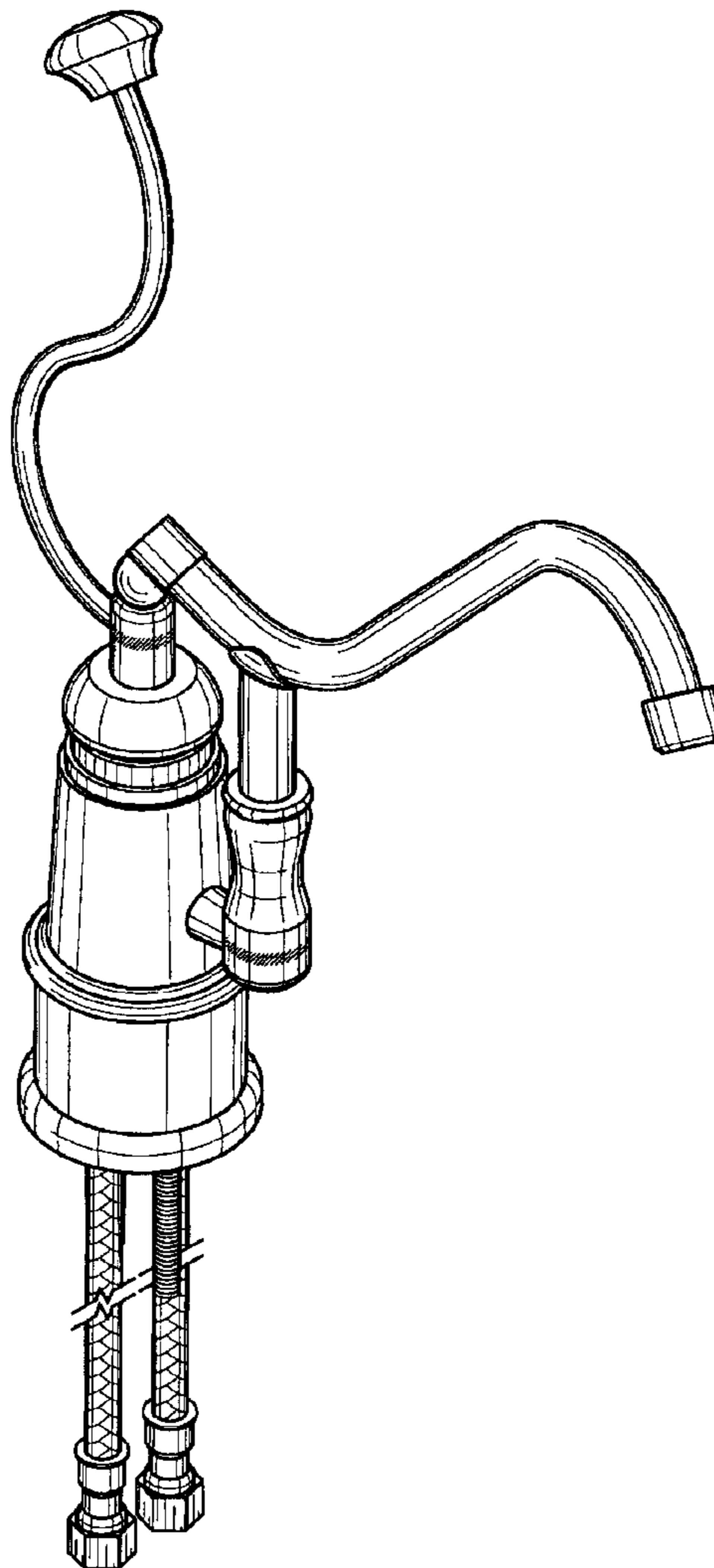
FIG. 4 is a back elevation view thereof;

FIG. 5 is a top plan view thereof; and,

FIG. 6 is a bottom plan view thereof.

The broken away showing of the supply lines indicates that they are of indeterminate length.

**1 Claim, 3 Drawing Sheets**



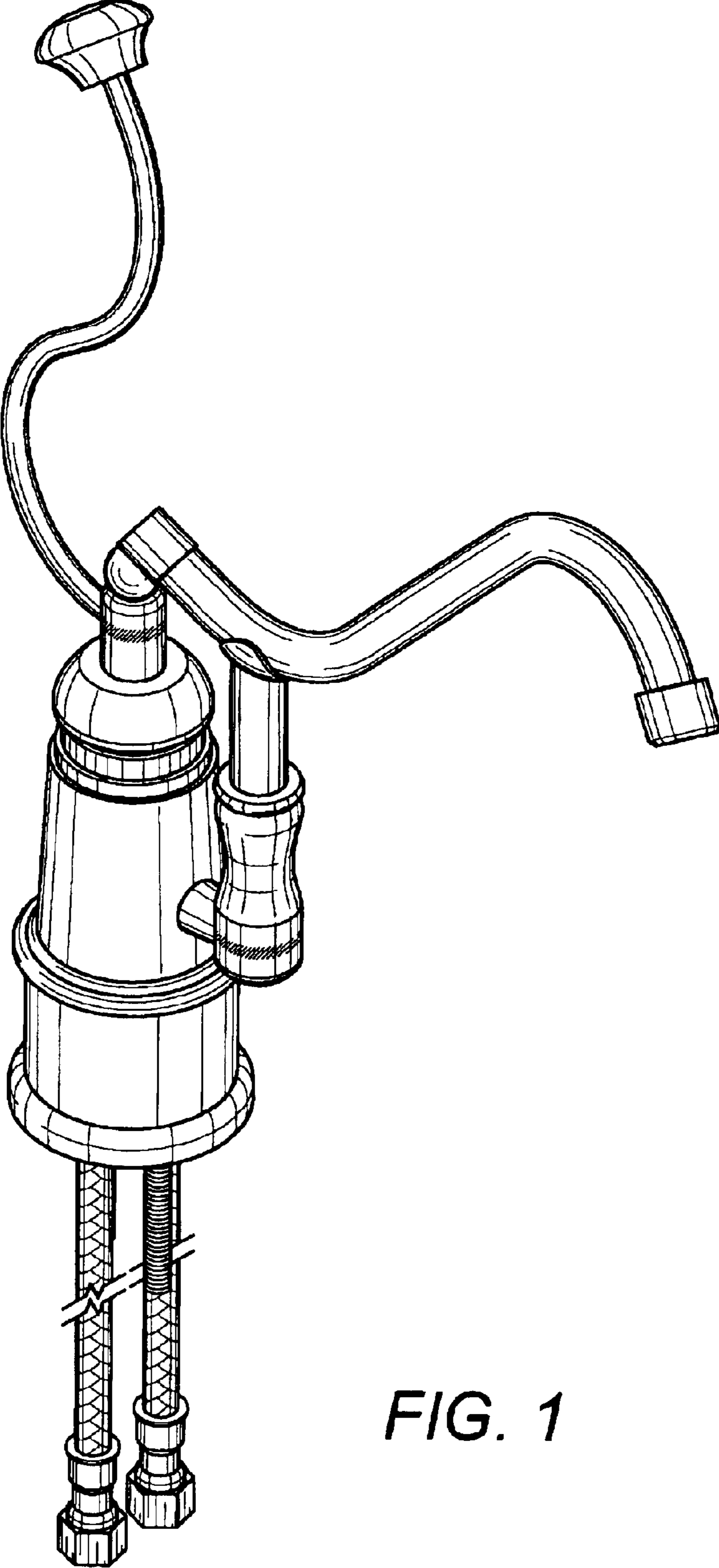


FIG. 1

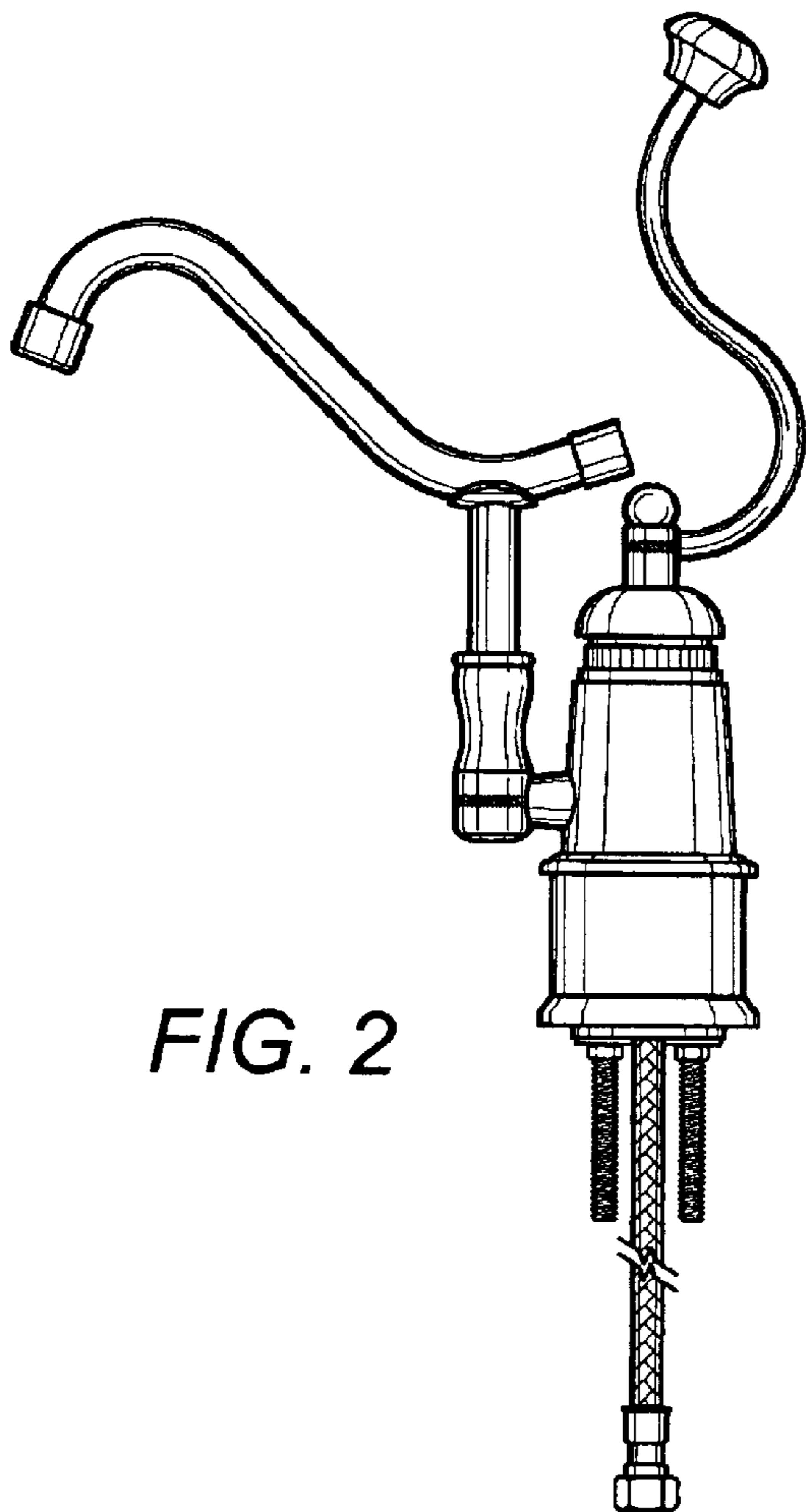


FIG. 2

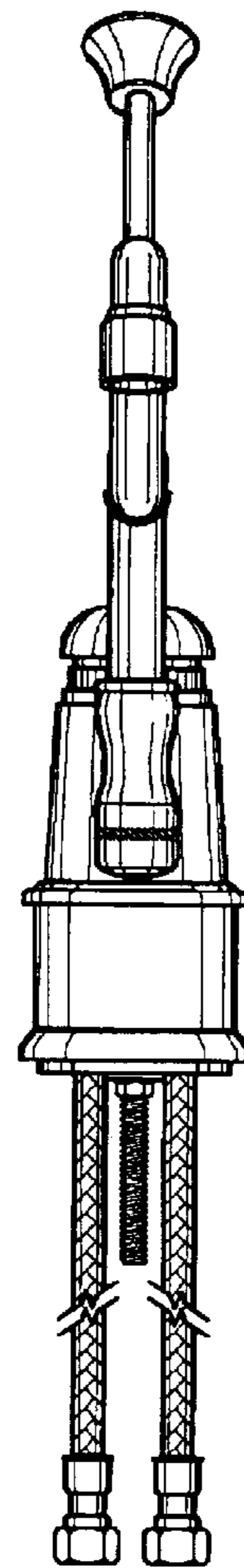


FIG. 3

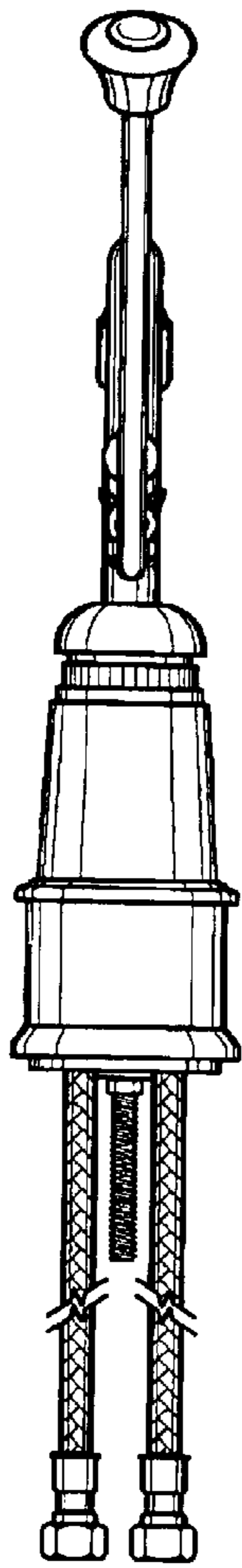


FIG. 4

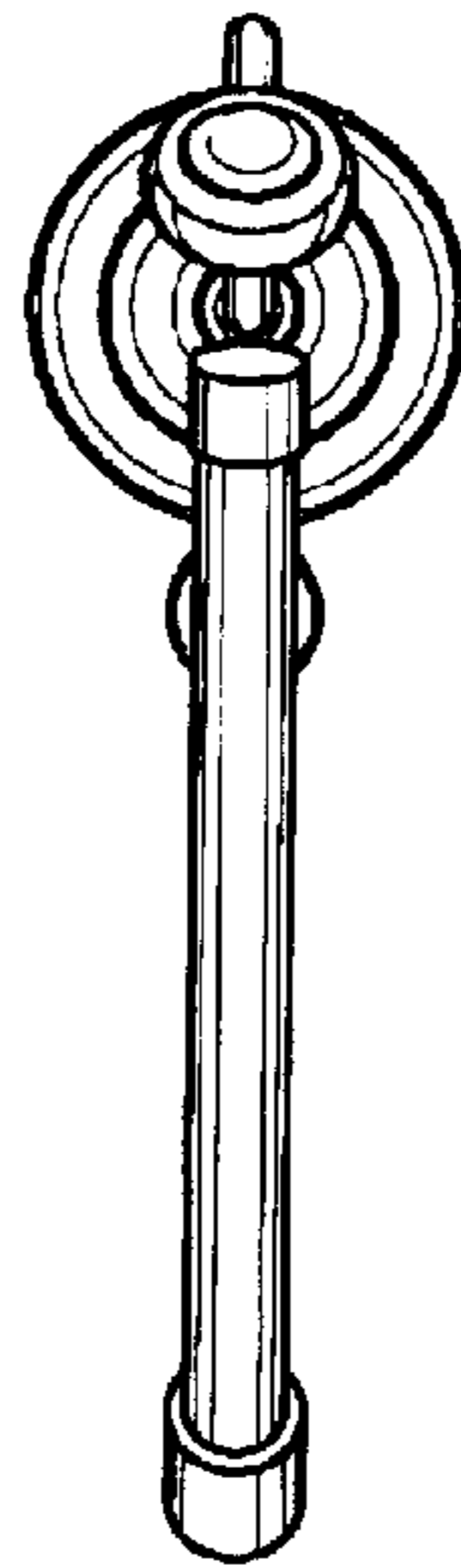


FIG. 5

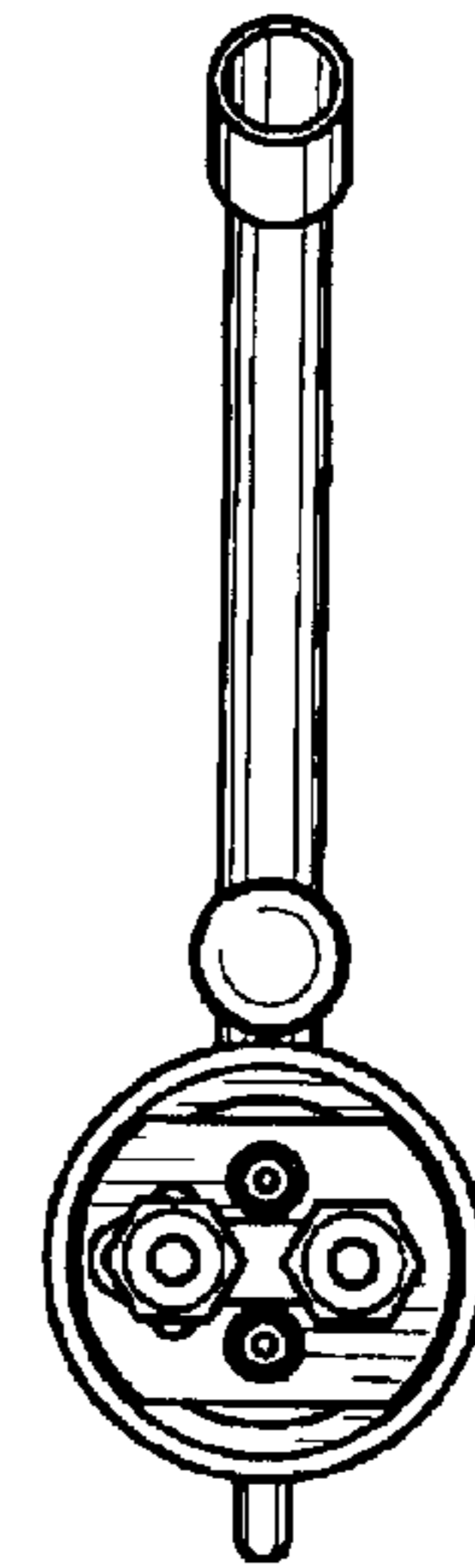


FIG. 6