

US00D492387S1

(12) **United States Design Patent**
Pohl et al.

(10) **Patent No.: US D492,387 S**
(45) **Date of Patent: ** Jun. 29, 2004**

(54) **SINGLE LEVER LAVATORY SET**
(75) Inventors: **Achim Pohl**, Seeheim-Jugenheim (DE);
Thomas Fiegl, Darmstadt (DE)
(73) Assignee: **American Standard International**
Inc., New York, NY (US)
(**) Term: **14 Years**

(21) Appl. No.: **29/179,322**
(22) Filed: **Apr. 8, 2003**

(51) **LOC (7) Cl.** **23-01**
(52) **U.S. Cl.** **D23/238; D23/255**
(58) **Field of Search** **D23/250-257;**
4/671-678; 137/801

(56) **References Cited**
U.S. PATENT DOCUMENTS

D265,229 S * 6/1982 Paul D23/242
D291,117 S * 7/1987 Ryan D23/255
D295,065 S * 4/1988 Fabian D23/255
D323,550 S * 1/1992 Delepine D23/257

D342,308 S * 12/1993 McKeone D23/257
D408,505 S * 4/1999 Garcia D23/255

* cited by examiner

Primary Examiner—Louis S. Zarfes
Assistant Examiner—Gregory Andoll

(57) **CLAIM**

The ornamental design for a single lever lavatory set, as shown and described.

DESCRIPTION

FIG. 1 is a perspective view of a single lever lavatory set showing our new design;
FIG. 2 is a top plan view thereof;
FIG. 3 is a left side elevational view thereof, the right side view being a mirror image of the left side;
FIG. 4 is a front elevational view thereof;
FIG. 5 is a rear elevational view thereof; and,
FIG. 6 is a bottom plan view.
The broken lines in the Figures are for illustrative purposes only and form no part of the claimed design.

1 Claim, 4 Drawing Sheets

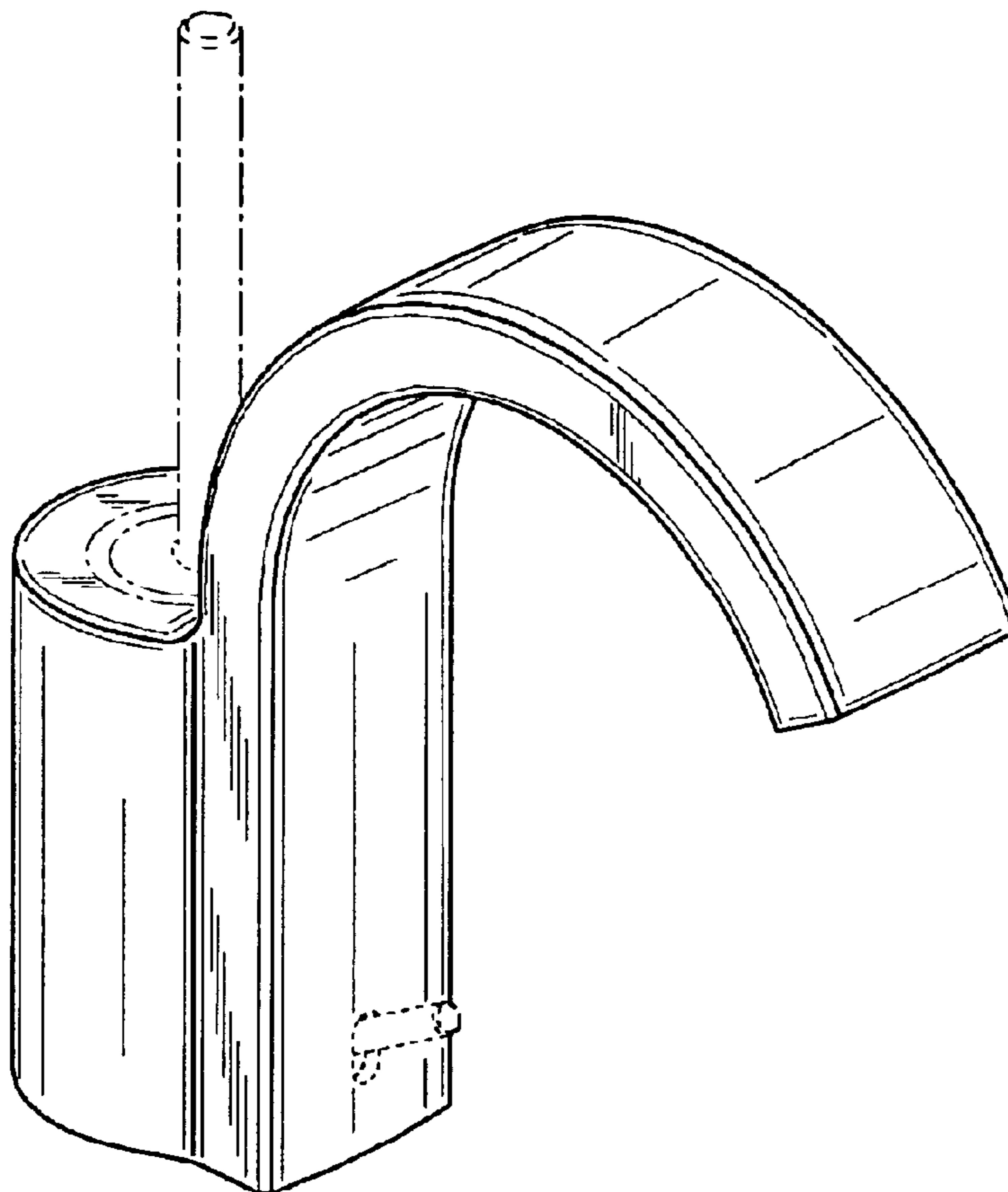


FIG. 1

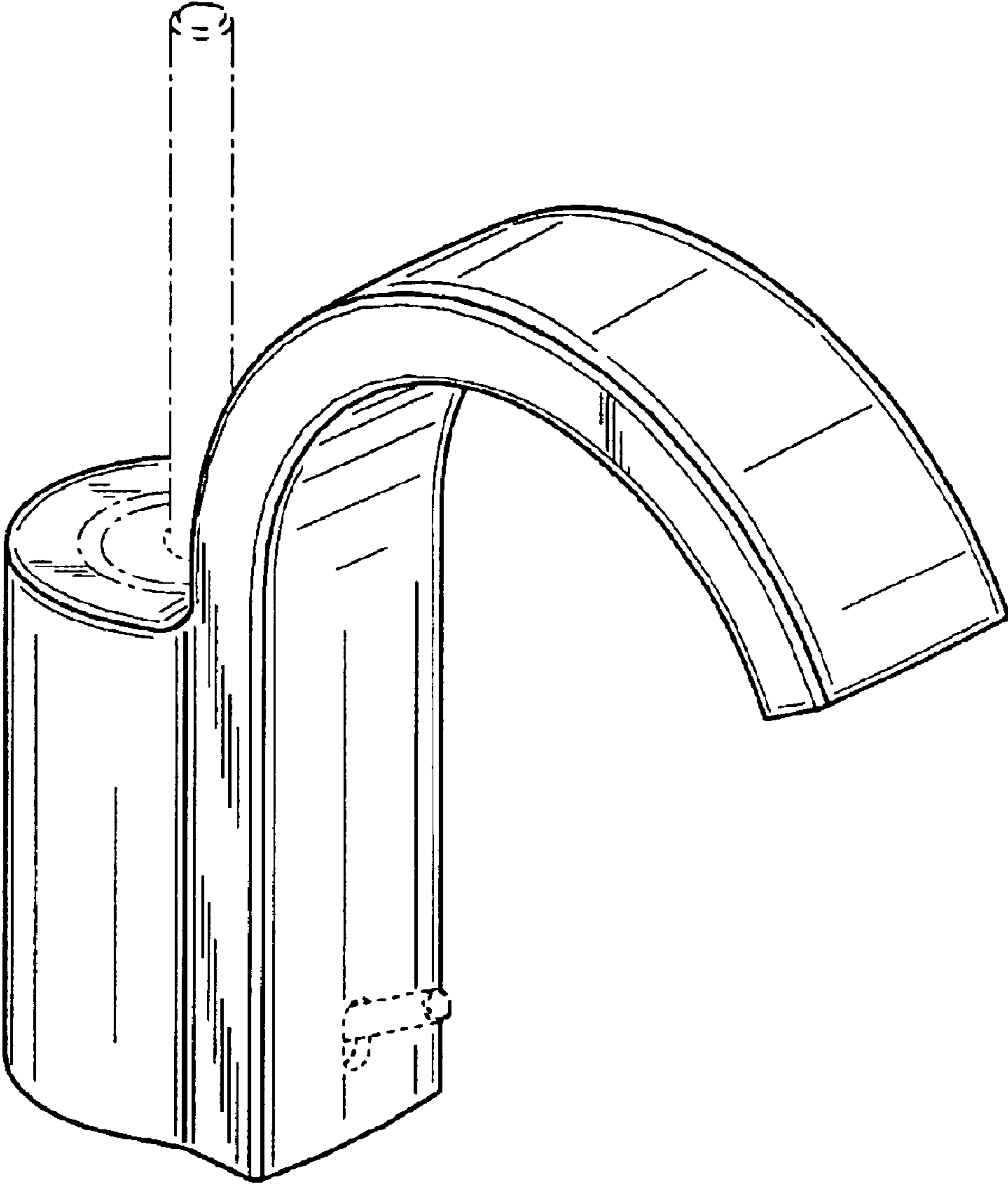


FIG. 2

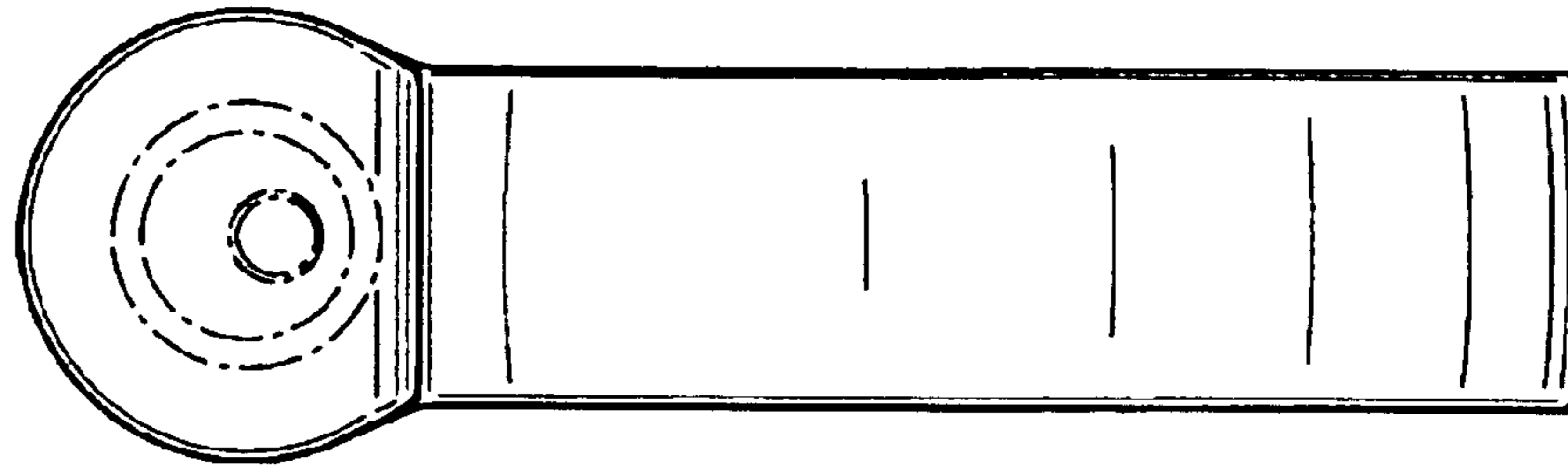


FIG. 3

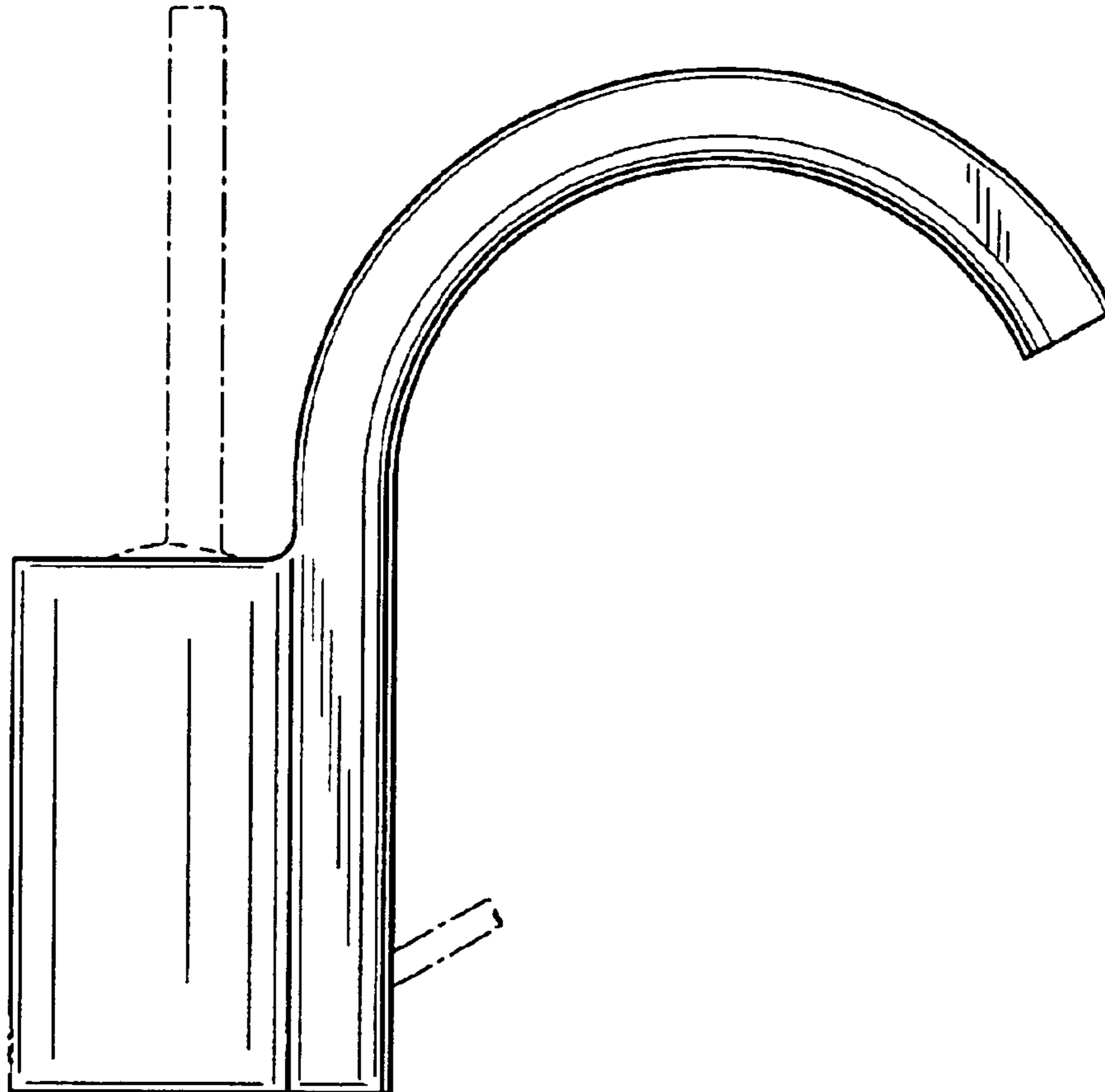


FIG. 4

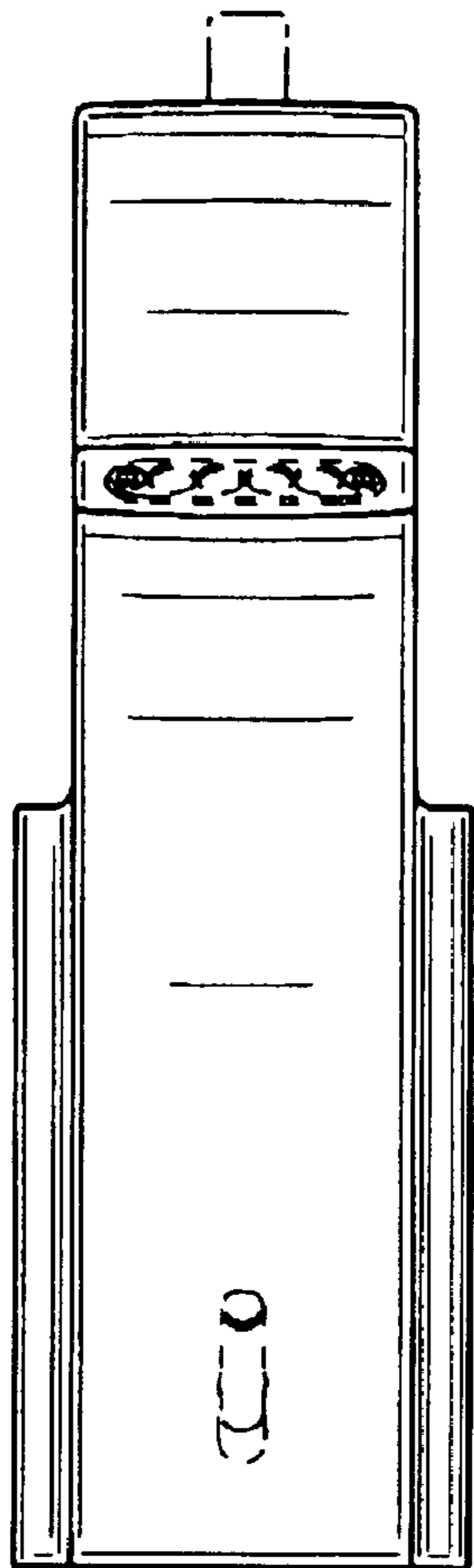


FIG. 5

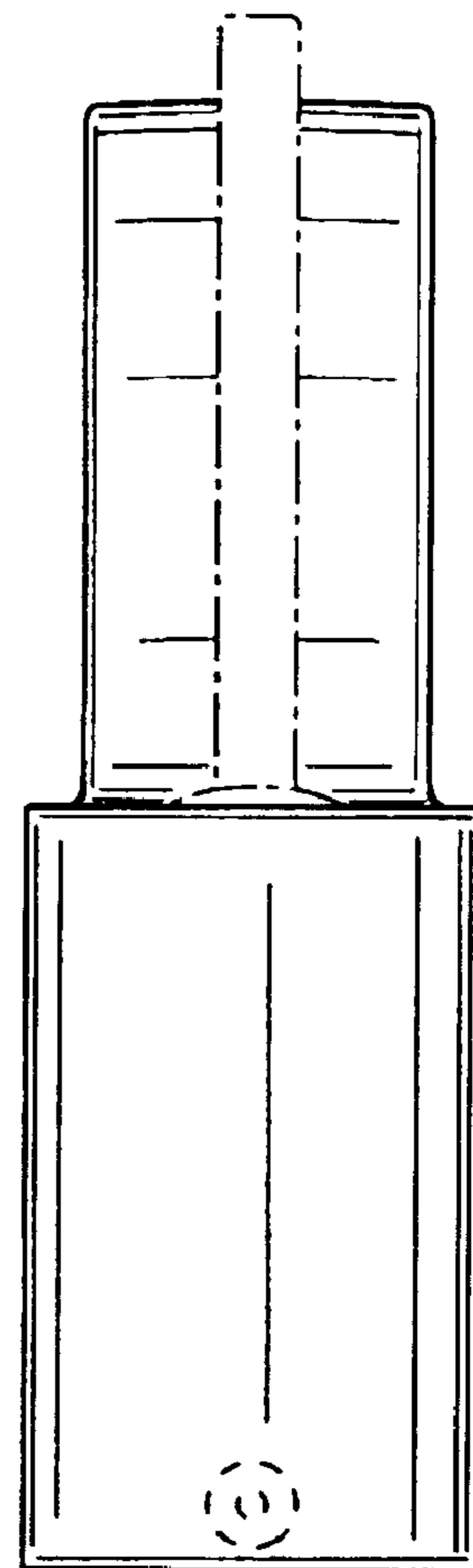


FIG. 6

