

US00D492386S1

(12) **United States Design Patent**  
**Kamata et al.**

(10) **Patent No.:** **US D492,386 S**  
(45) **Date of Patent:** **\*\* Jun. 29, 2004**

(54) **ELEMENT FOR FILTRATION**

D416,308 S \* 11/1999 Ward et al. .... D23/209  
6,630,069 B2 \* 10/2003 Sakashita et al. .... 210/321.69

(75) Inventors: **Masatoshi Kamata**, Nagoya (JP); **Ikuo Kinoshita**, Nagoya (JP); **Yoshihito Nakahara**, Nagoya (JP); **Satoshi Takeda**, Nagoya (JP); **Shinya Sueyoshi**, Nagoya (JP)

**OTHER PUBLICATIONS**

“Sterapoe G, Large-Capacity Backwashing-Regenerable Filters,” Published by Mitsubishi Rayon, Co., Ltd. (Oct. 2002).

(73) Assignee: **Mitsubishi Rayon Co., Ltd.**, Tokyo (JP)

\* cited by examiner

(\*\*) Term: **14 Years**

*Primary Examiner*—Robin V. Taylor

(21) Appl. No.: **29/179,288**

(74) *Attorney, Agent, or Firm*—Fitch, Even, Tabin & Flannery

(22) Filed: **Apr. 9, 2003**

(30) **Foreign Application Priority Data**

(57) **CLAIM**

Oct. 11, 2002 (JP) ..... 2002-028049

The ornamental design for an element for filtration, as shown and described.

(51) **LOC (7) Cl.** ..... **23-01**

**DESCRIPTION**

(52) **U.S. Cl.** ..... **D23/209**

FIG. 1 is a front perspective view of an element for filtration showing our new design;

(58) **Field of Search** ..... D23/207, 209;

FIG. 2 is a front view, the rear view being a mirror image of the front view;

210/321.8, 321.89

FIG. 3 is a left side elevational view; the right side elevational view being a mirror image of the left side elevational view; and,

(56) **References Cited**

**U.S. PATENT DOCUMENTS**

4,609,465 A \* 9/1986 Miller ..... 210/323.2

4,720,342 A \* 1/1988 Takemura et al. .... 210/321.79

D403,740 S \* 1/1999 Kott et al. .... D23/209

FIG. 4 is a top plan view, the bottom plan view being a mirror image of the top plan view.

**1 Claim, 2 Drawing Sheets**

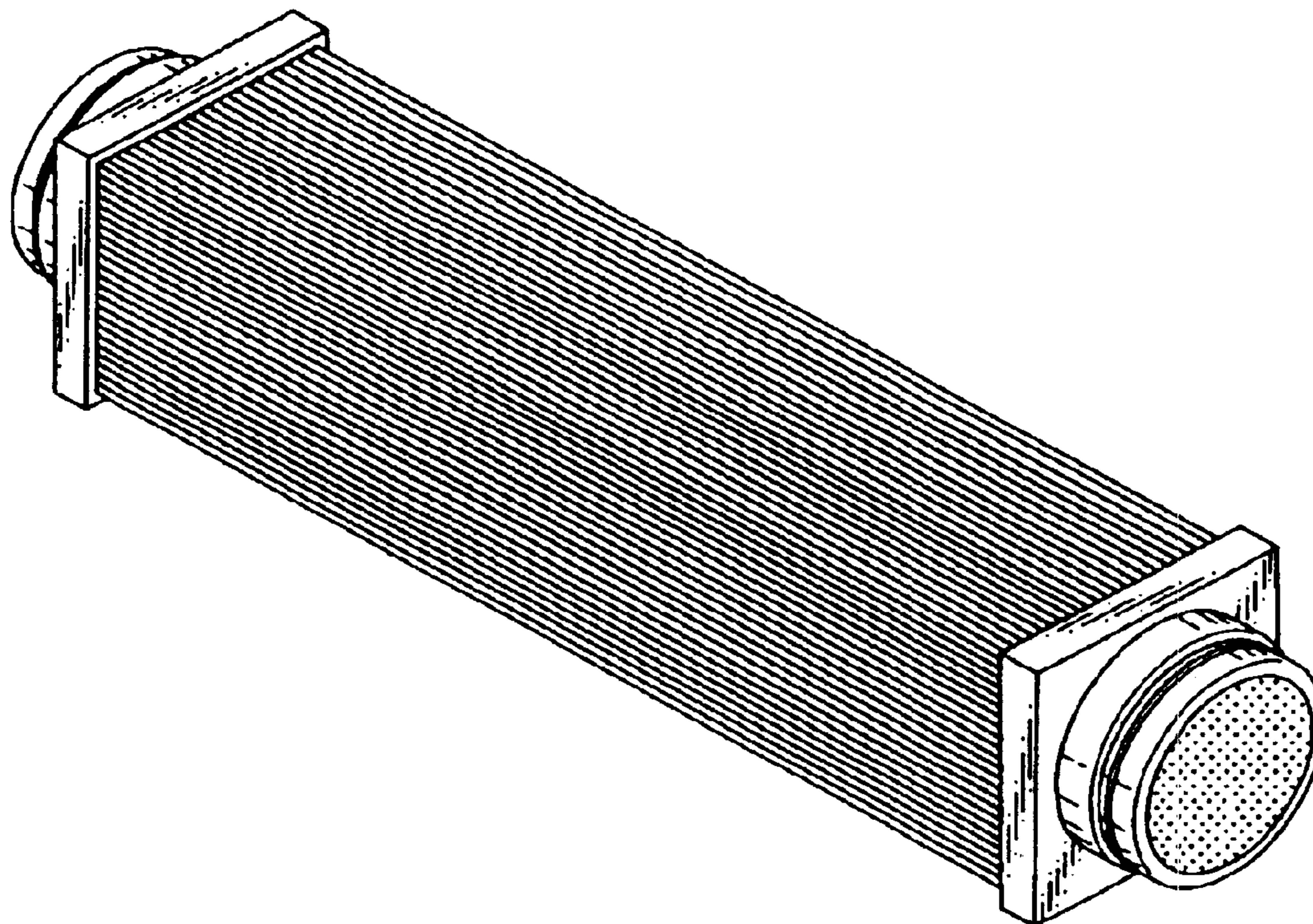


Fig.1

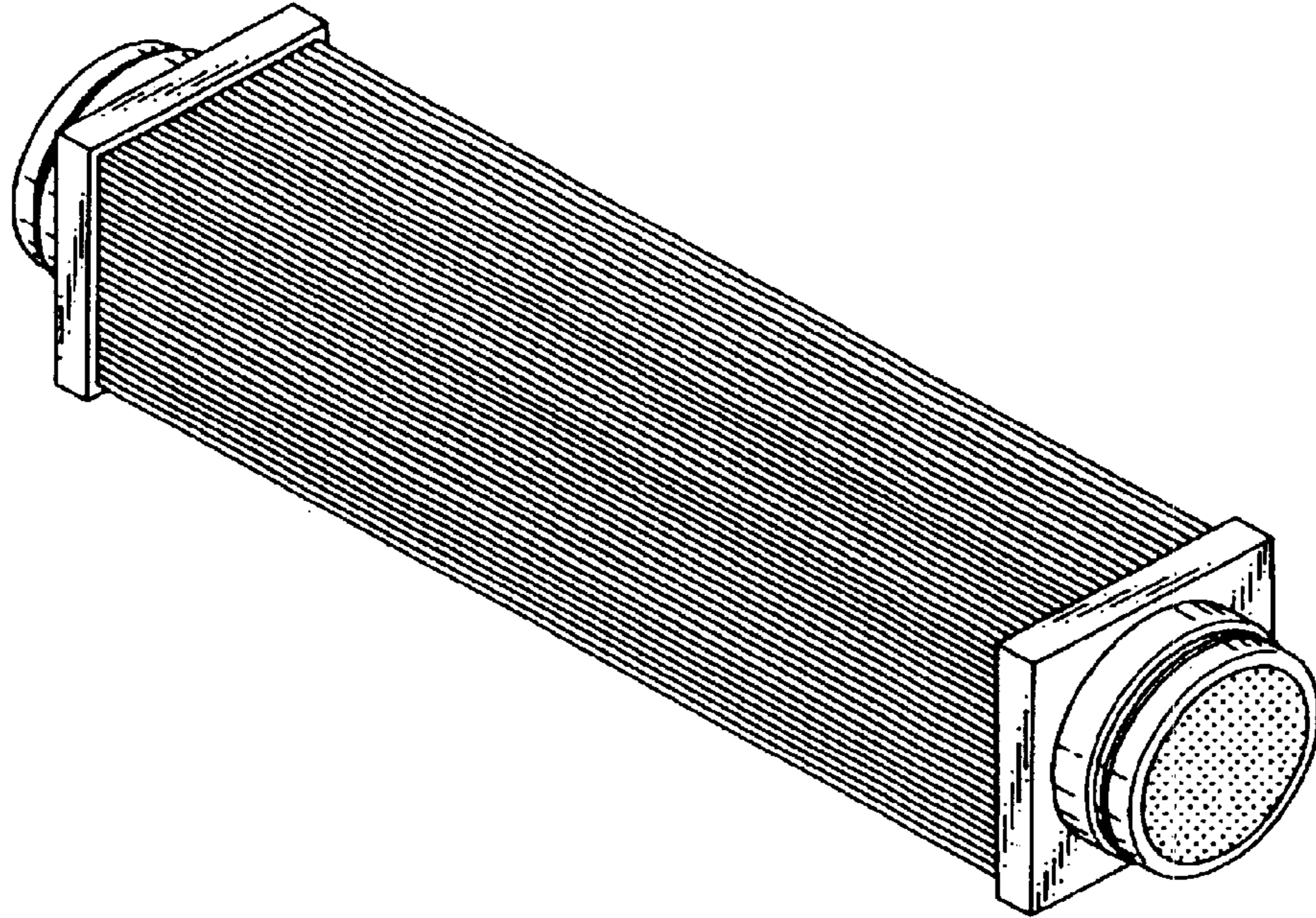


Fig.2

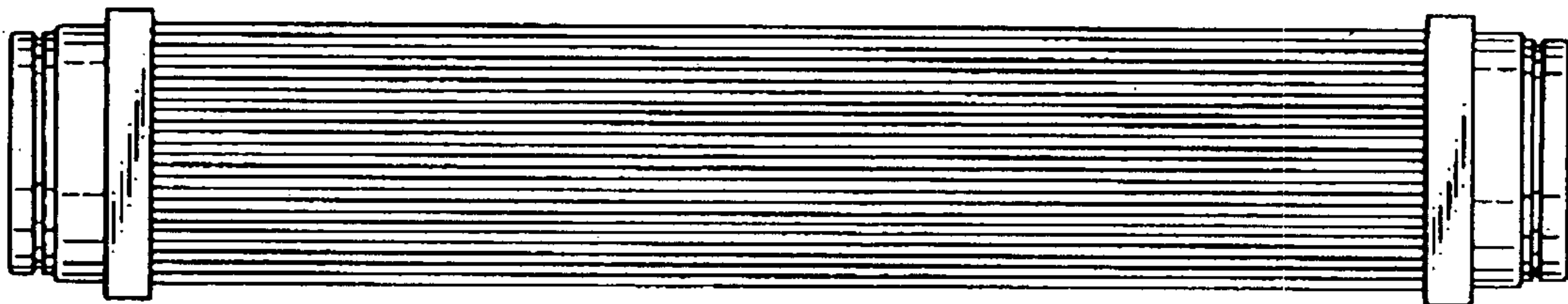


Fig.3

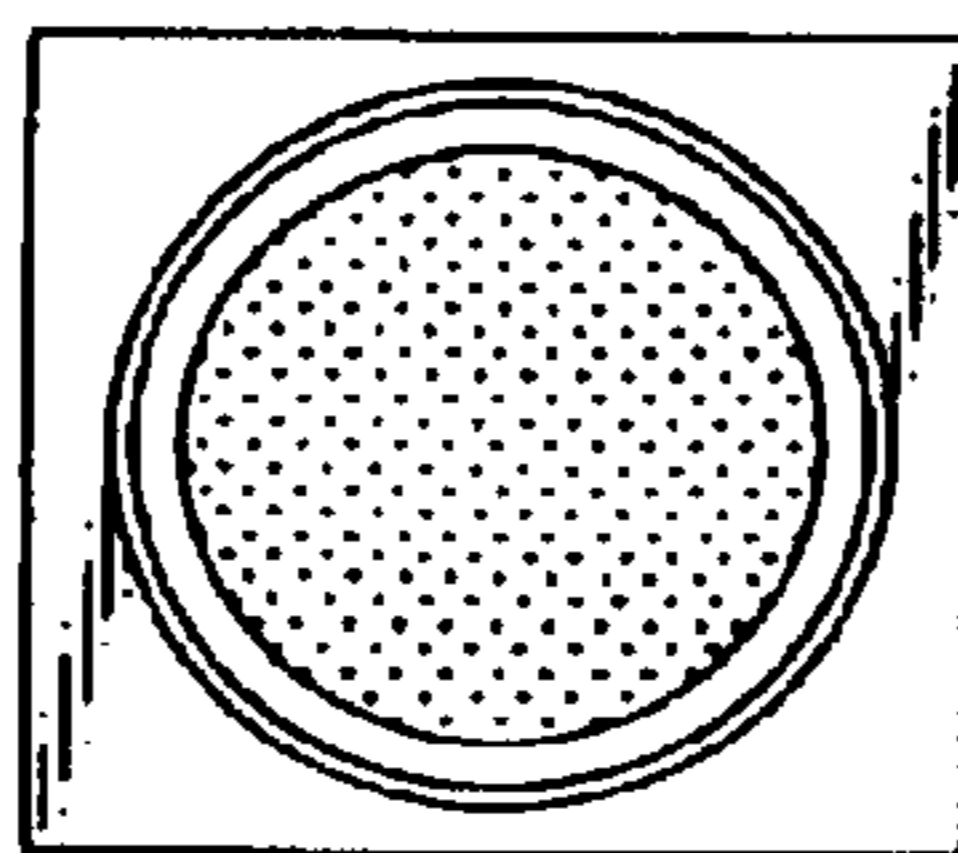




Fig.4

