



US00D492385S1

(12) **United States Design Patent**  
**Proch**

(10) **Patent No.:** **US D492,385 S**  
(45) **Date of Patent:** **\*\* Jun. 29, 2004**

(54) **RECIRCULATING WATER FOUNTAIN**

(76) **Inventor:** **Nathan Proch**, 6925 Kittyhawk Ave.,  
Suite D-201, Los Angeles, CA (US)  
90045

(\*\*) **Term:** **14 Years**

(21) **Appl. No.:** **29/185,463**

(22) **Filed:** **Jun. 27, 2003**

(51) **LOC (7) Cl.** ..... **23-01**

(52) **U.S. Cl.** ..... **D23/201**

(58) **Field of Search** ..... D23/201; 239/17,  
239/18, 20, 21

(56) **References Cited**

**U.S. PATENT DOCUMENTS**

D339,403 S	*	9/1993	Nash	.....	D23/201
D339,843 S	*	9/1993	Nash	.....	D23/201
D411,605 S	*	6/1999	Acosta	.....	D23/201
D435,630 S	*	12/2000	Sater et al.	.....	D23/201
D437,629 S	*	2/2001	Sater et al.	.....	D23/201

\* cited by examiner

*Primary Examiner*—Robin V. Taylor

(74) *Attorney, Agent, or Firm*—Freilich, Hornbaker &  
Rosen

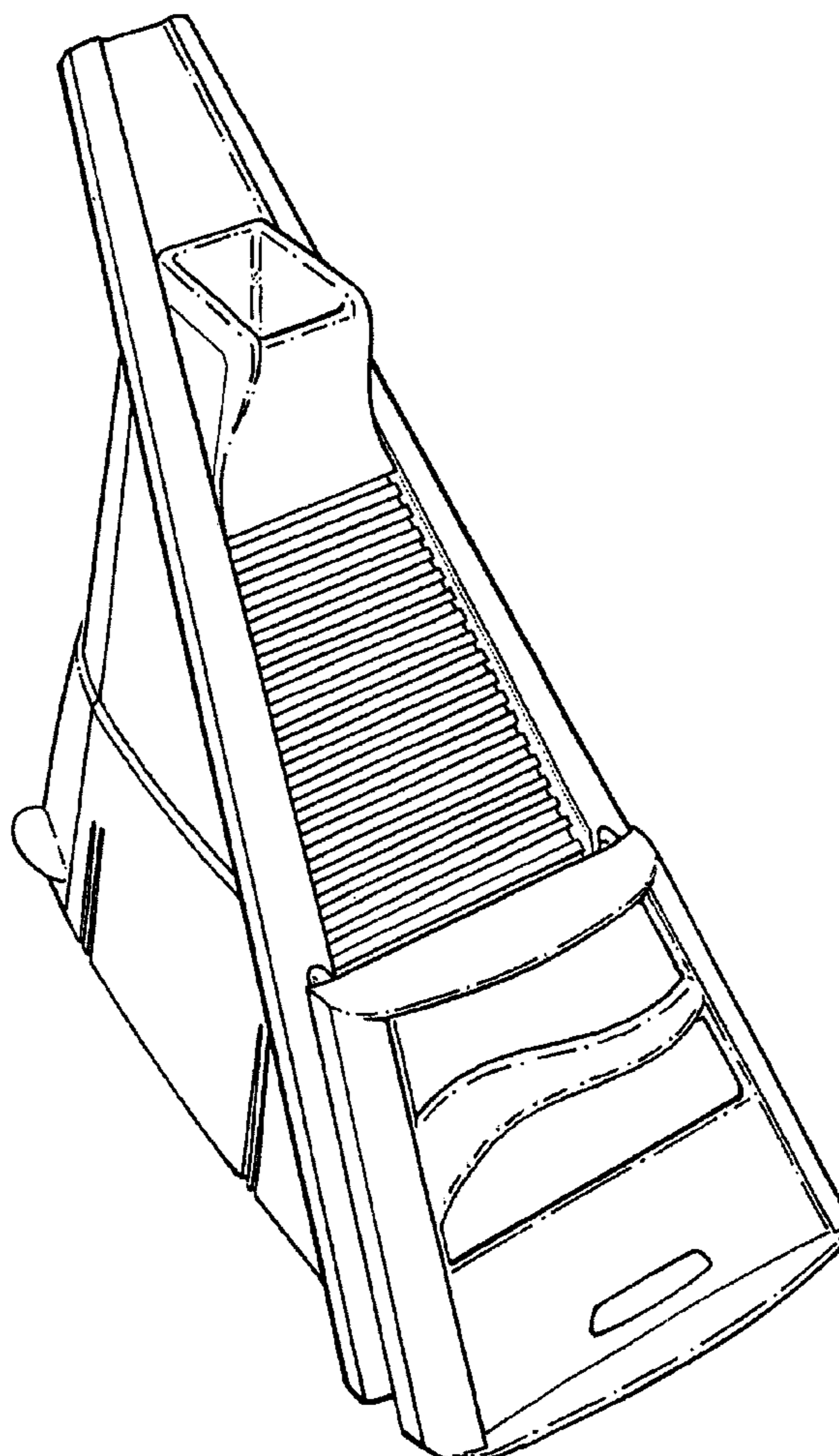
(57) **CLAIM**

The ornamental design for a recirculating water fountain, as  
shown and described.

**DESCRIPTION**

FIG. 1 is a perspective view of a preferred recirculating  
liquid fountain in accordance with the present invention;  
FIG. 2 is a front view of the recirculating liquid fountain of  
FIG. 1;  
FIG. 3 is a left side view of the recirculating liquid fountain  
of FIG. 1;  
FIG. 4 is a right side view of the recirculating liquid fountain  
of FIG. 1;  
FIG. 5 is a rear view of the recirculating liquid fountain of  
FIG. 1;  
FIG. 6 is a bottom view of the recirculating liquid fountain  
of FIG. 1; and,  
FIG. 7 is a top view of the recirculating liquid fountain of  
FIG. 1.

**1 Claim, 7 Drawing Sheets**



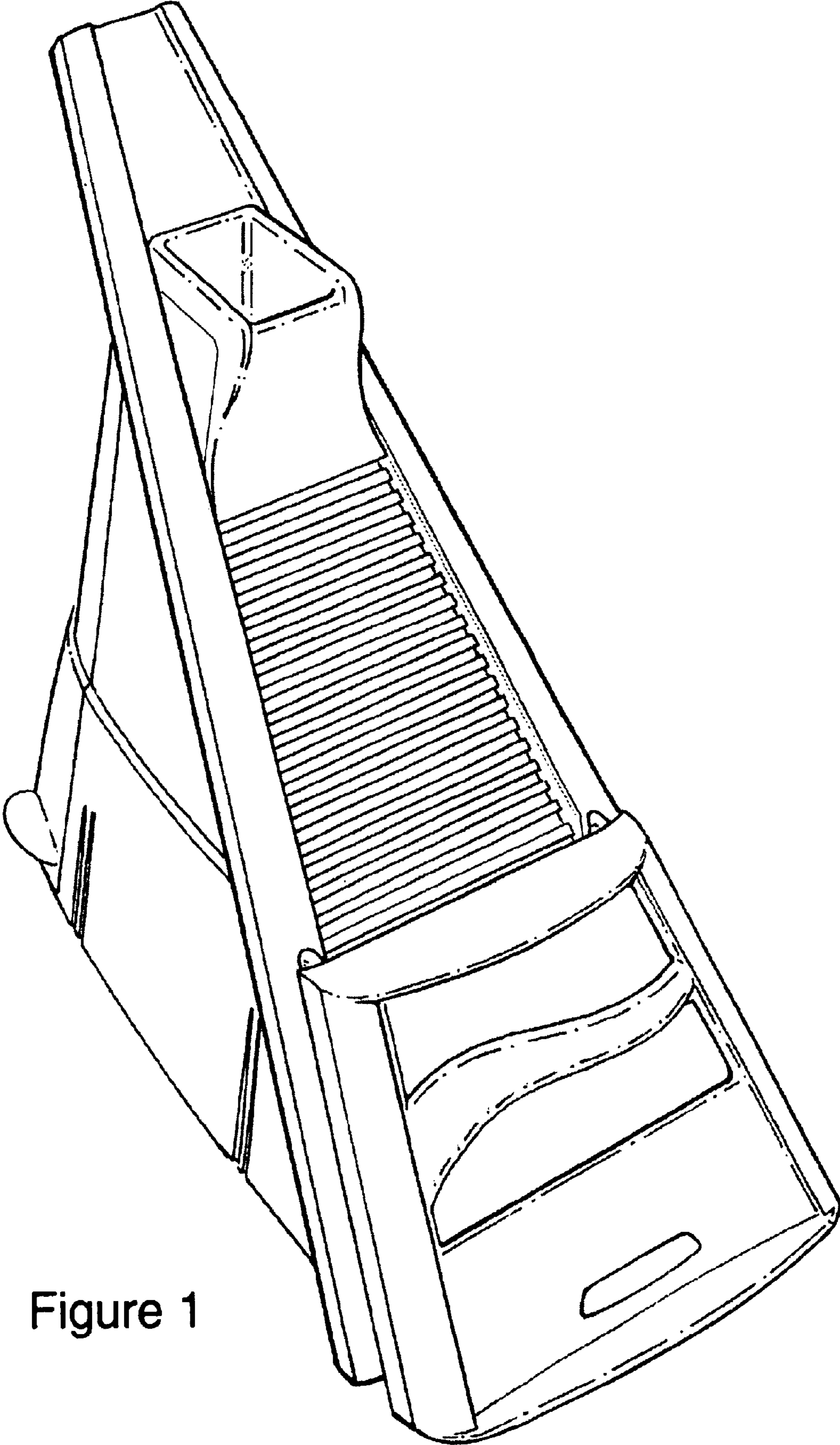


Figure 1

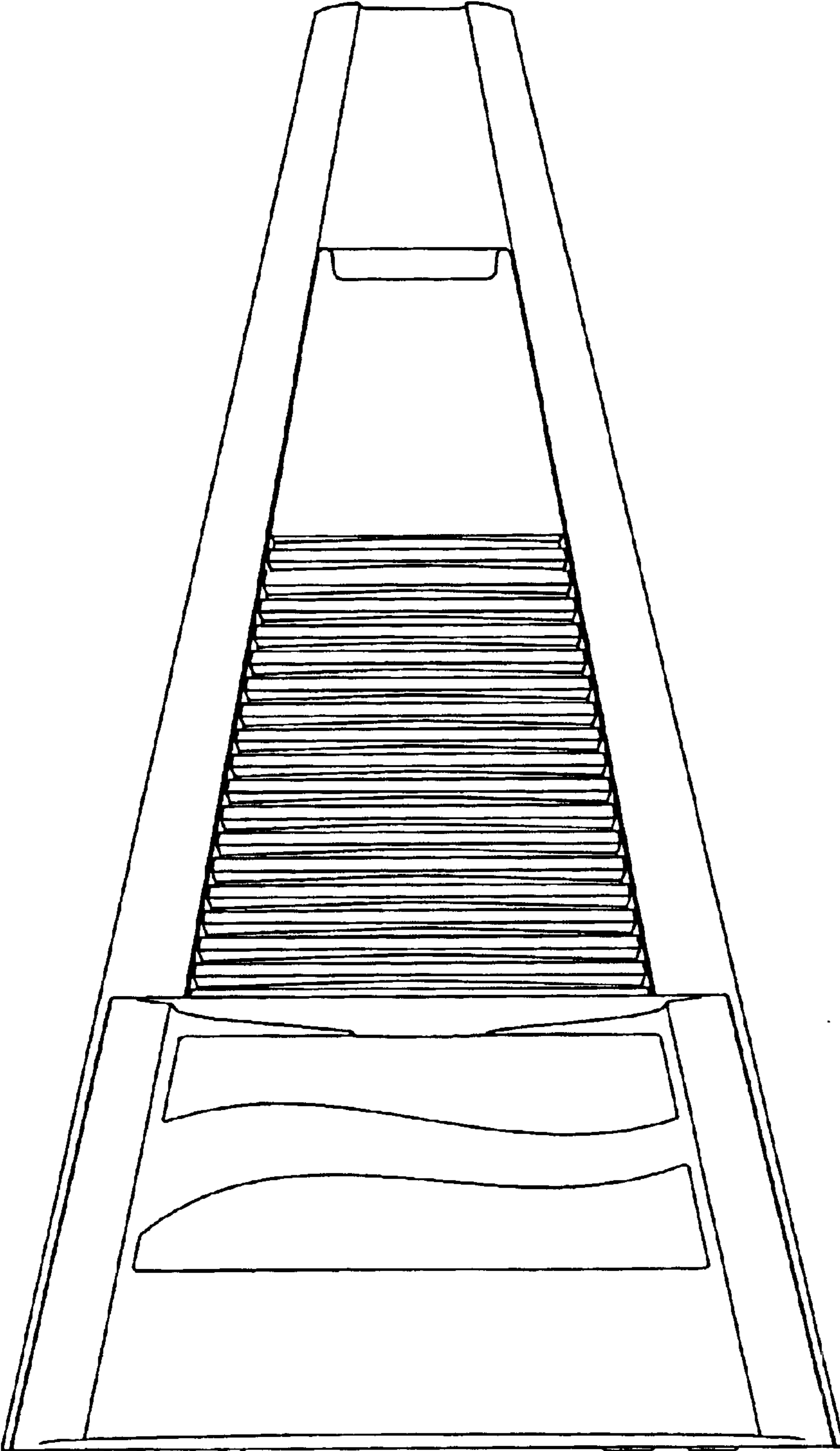


Figure 2

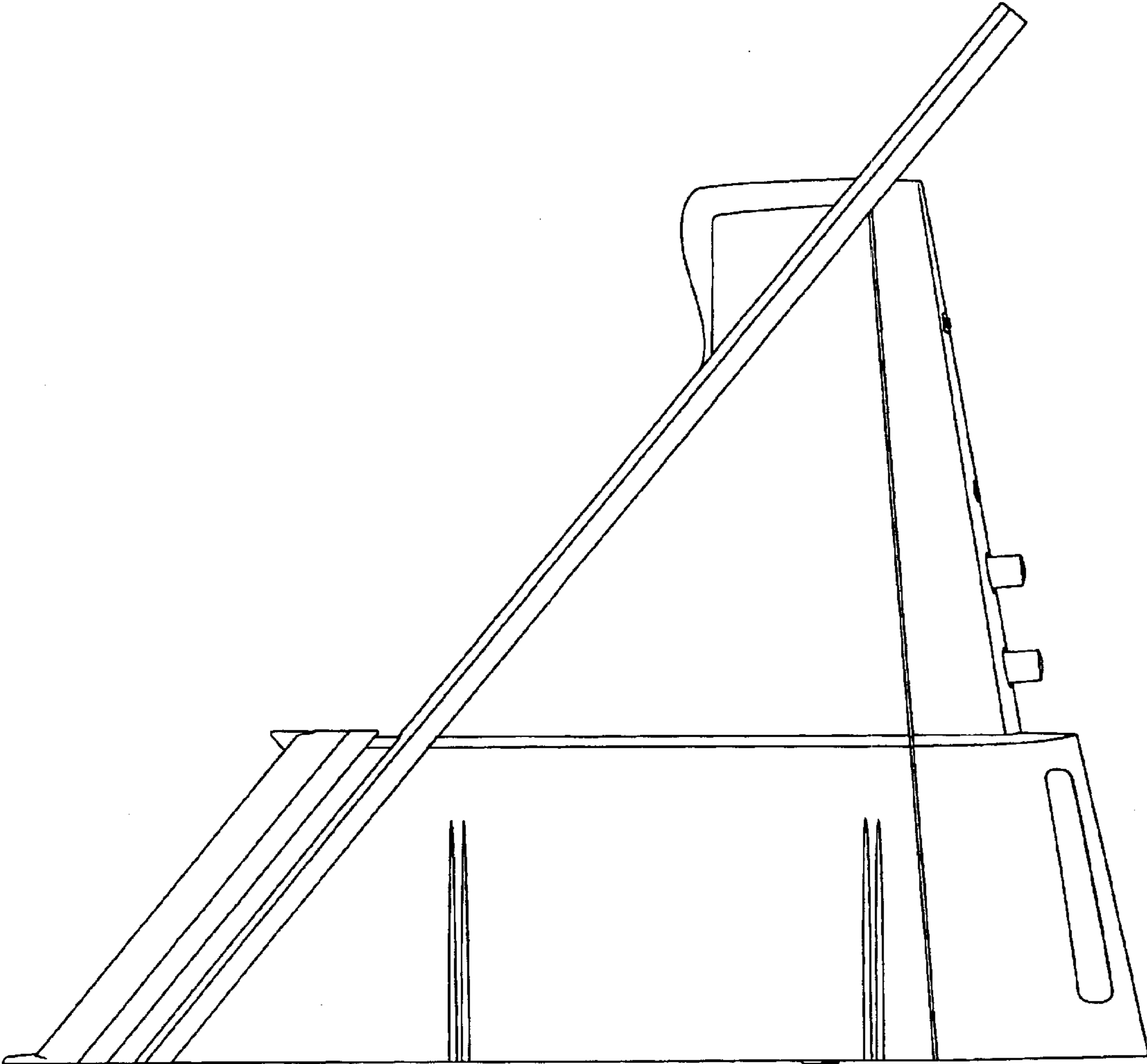


Figure 3

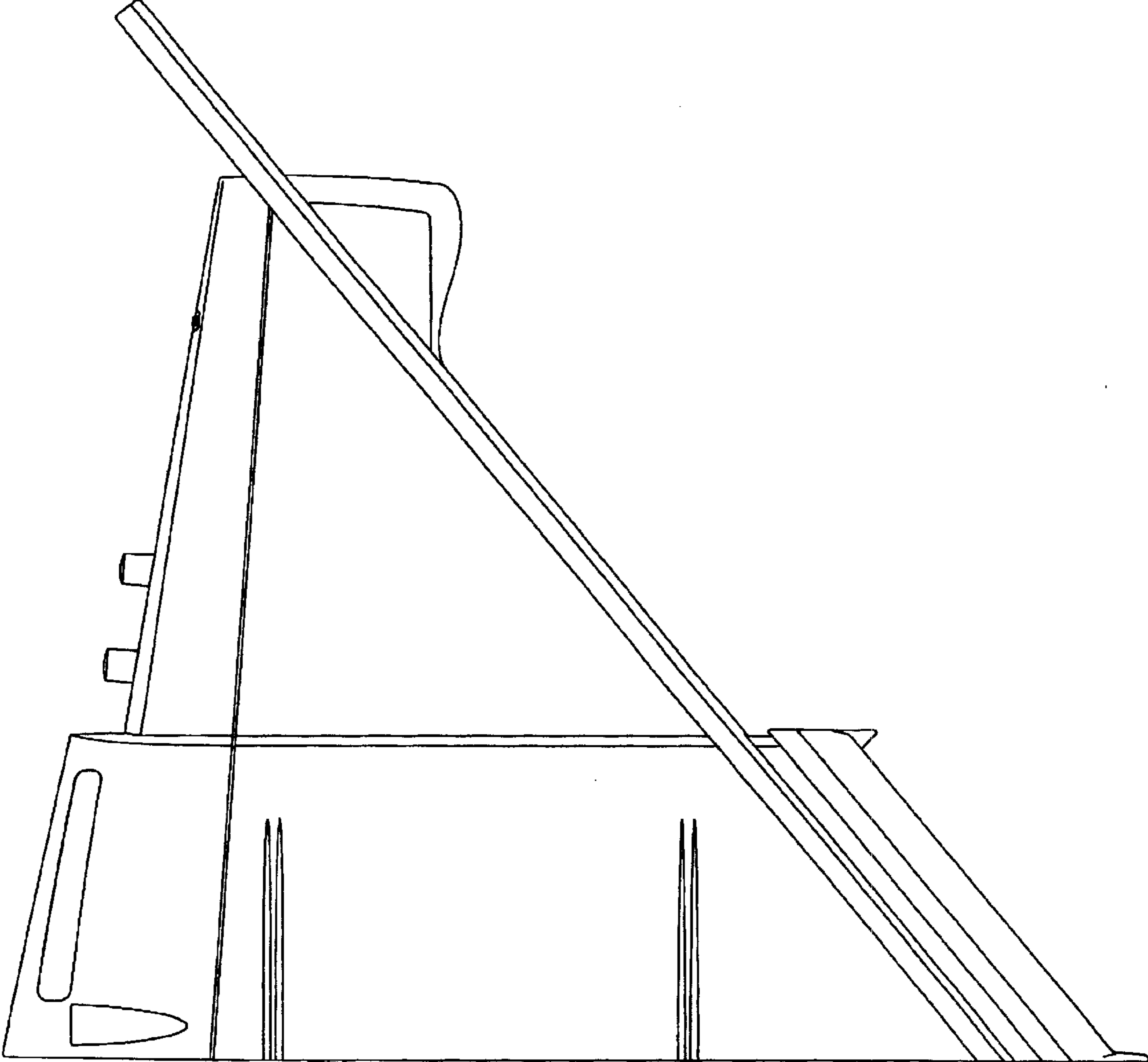


Figure 4

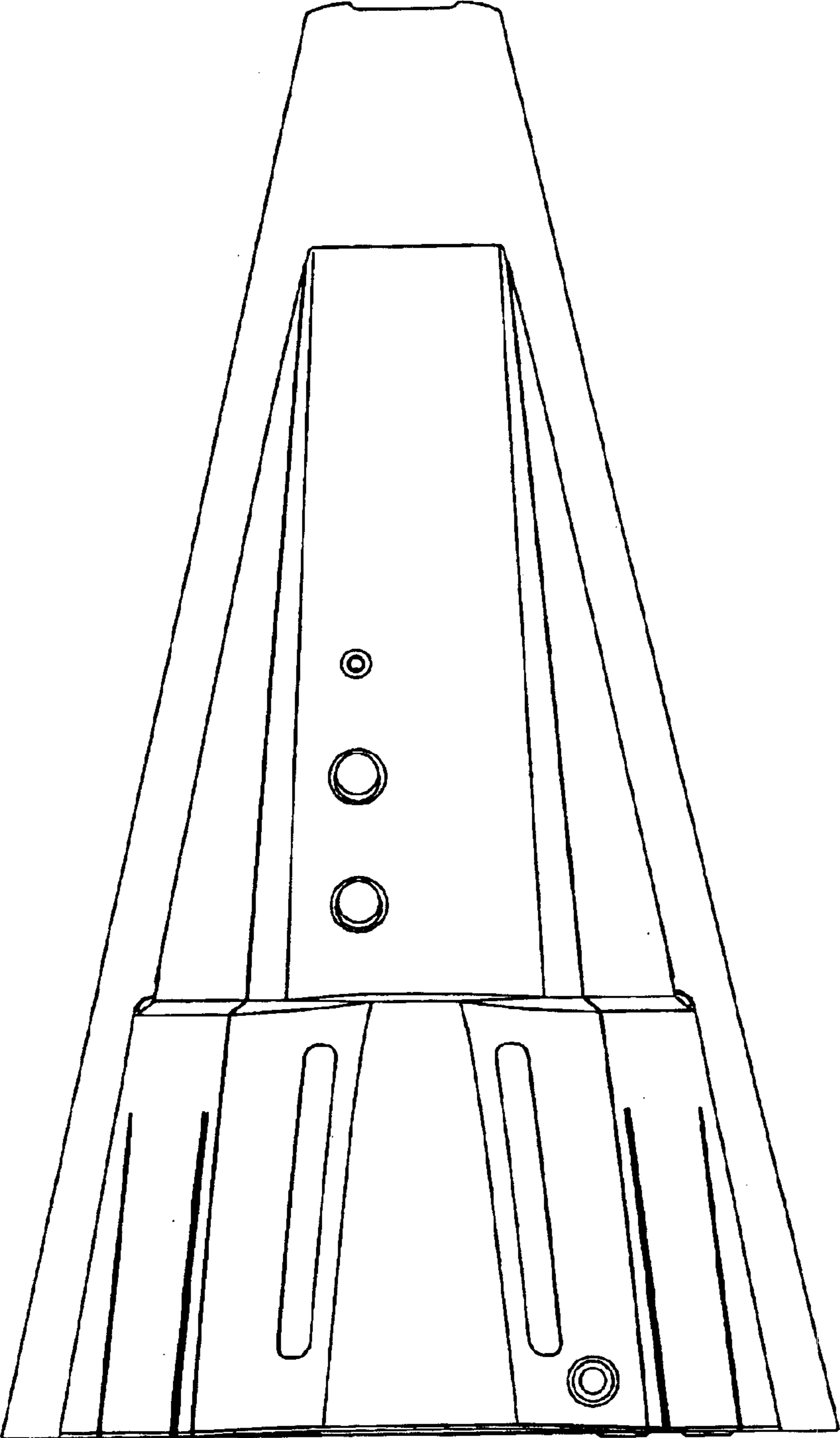


Figure 5

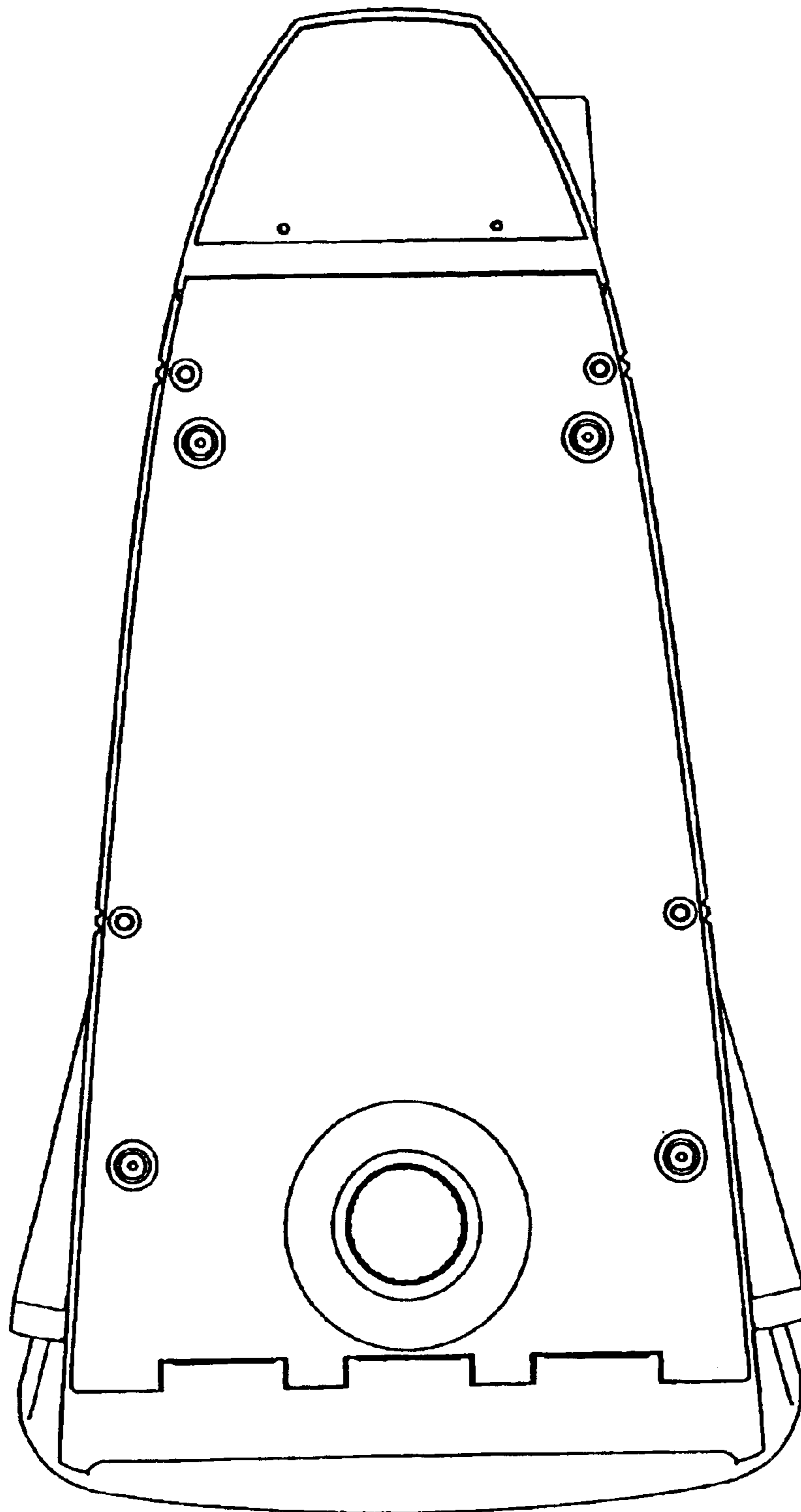


Figure 6

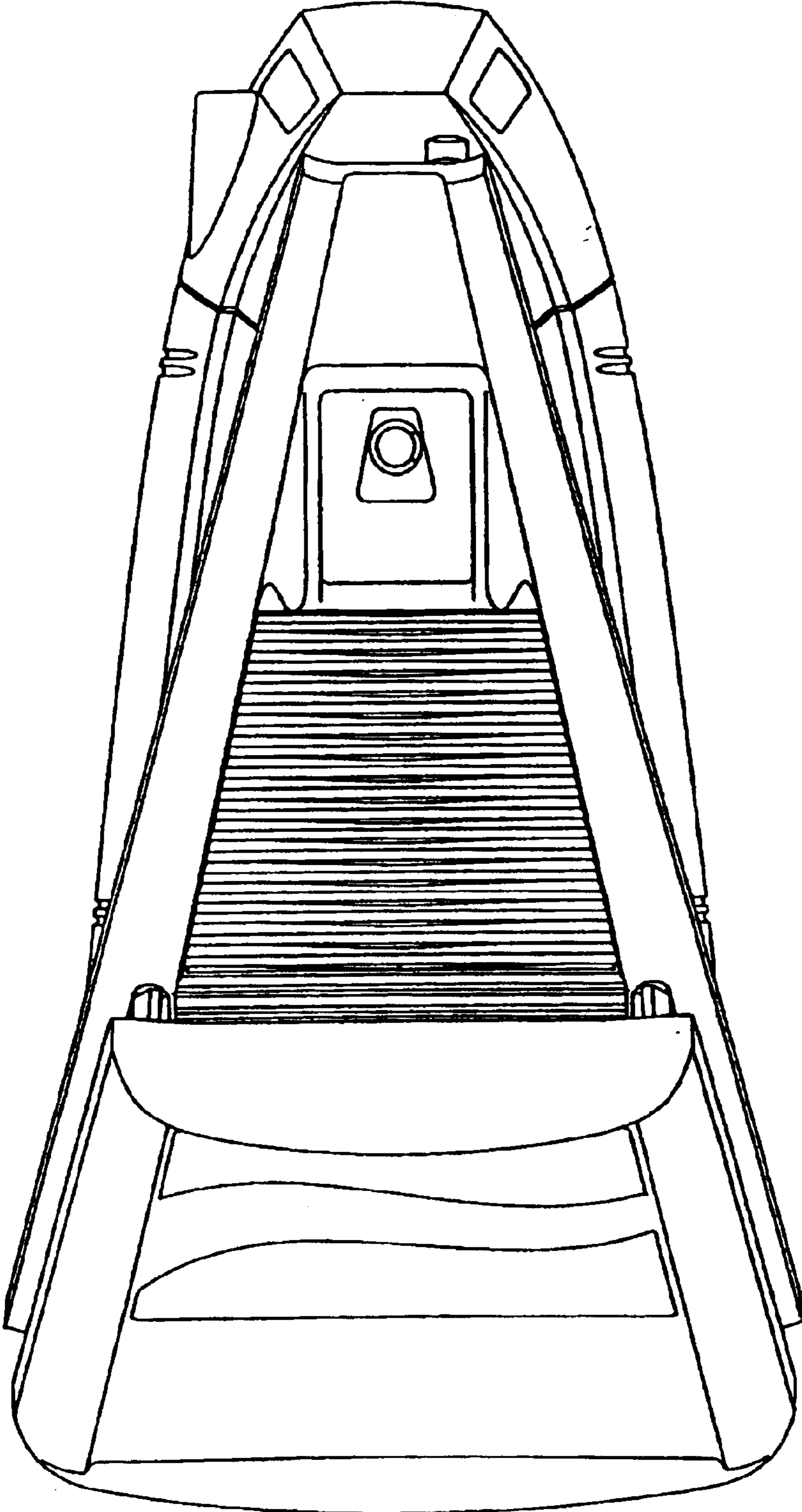


Figure 7