

US00D492384S1

(12) **United States Design Patent**
Saraya

(10) **Patent No.:** **US D492,384 S**
(45) **Date of Patent:** **** Jun. 29, 2004**

(54) **REEL SEAT FOR FISHING ROD**
(75) Inventor: **Kenji Saraya, Higashikurume (JP)**
(73) Assignee: **Daiwa Seiko, Inc., Tokyo (JP)**
(**) Term: **14 Years**

JP 925991 6/1995
JP 249762 12/1999

* cited by examiner

Primary Examiner—Catherine R. Oliver
(74) *Attorney, Agent, or Firm*—Sughrue Mion, PLLC

(21) Appl. No.: **29/186,019**
(22) Filed: **Jul. 9, 2003**

(57) **CLAIM**

The ornamental design for a reel seat for fishing rod, as shown and described.

(30) **Foreign Application Priority Data**

Jan. 10, 2003 (JP) 2003-000484

DESCRIPTION

(51) **LOC (7) Cl.** **22-05**
(52) **U.S. Cl.** **D22/142**
(58) **Field of Search** D22/142, 137-140;
43/20, 22, 18.1, 23

FIG. 1 is a perspective view of the top, front and right end of a reel seat for fishing rod showing my new design; FIG. 2 is a front elevational view thereof; FIG. 3 is a rear elevational view thereof; FIG. 4 is a top plan view thereof; FIG. 5 is a bottom plan view thereof; FIG. 6 is a left end elevational view thereof; FIG. 7 is a right end elevational view thereof; FIG. 8 is a sectional view taken on line 8—8 in FIG. 2; and, FIG. 9 is a sectional end view taken on line 9—9 in FIG. 6. The broken line showing of environment in the drawings is for illustrative purposes only and forms no part of the claimed design.

(56) **References Cited**

U.S. PATENT DOCUMENTS

D349,943 S 8/1994 Takizawa et al. D22/142
D381,736 S * 7/1997 Grice D22/142
D382,934 S * 8/1997 Grice D22/142
D393,043 S * 3/1998 Grice D22/142
D418,194 S * 12/1999 Oyama et al. D22/142
D460,517 S * 7/2002 Lu D22/142

FOREIGN PATENT DOCUMENTS

JP 877968 3/1994

1 Claim, 3 Drawing Sheets

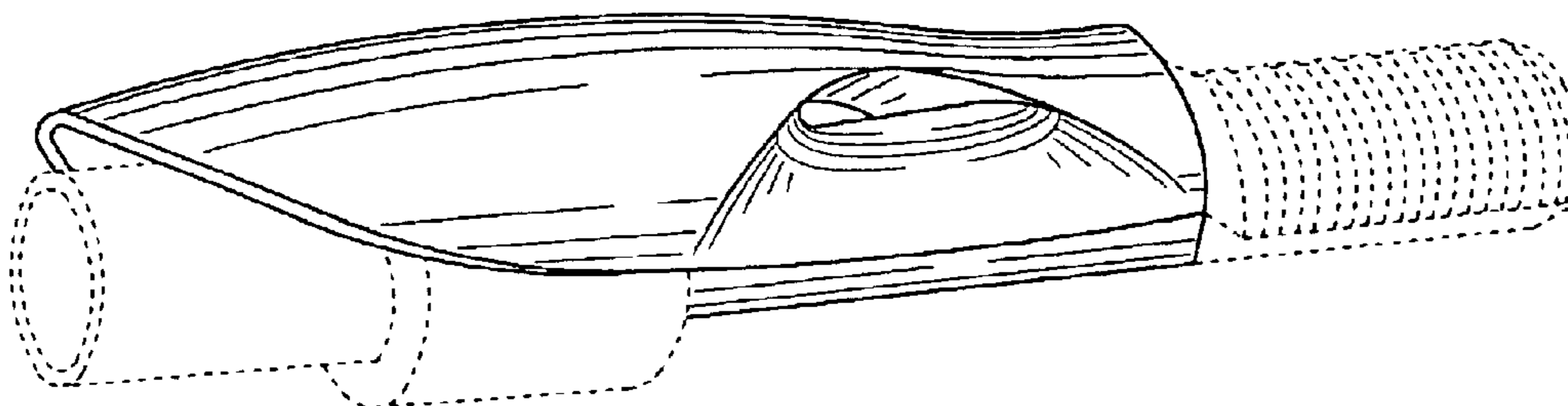


FIG. 1

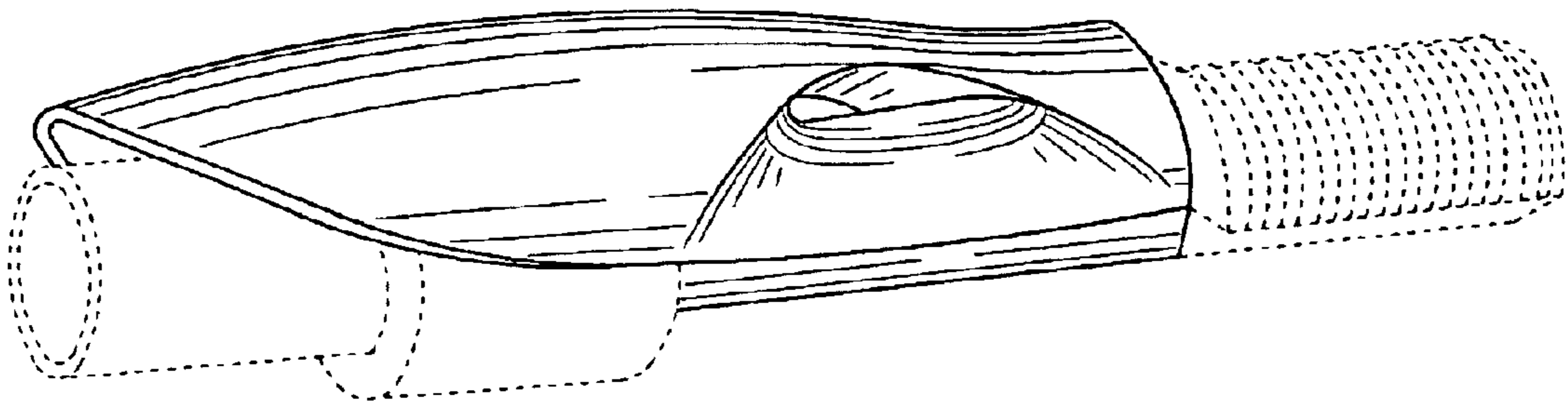


FIG. 2

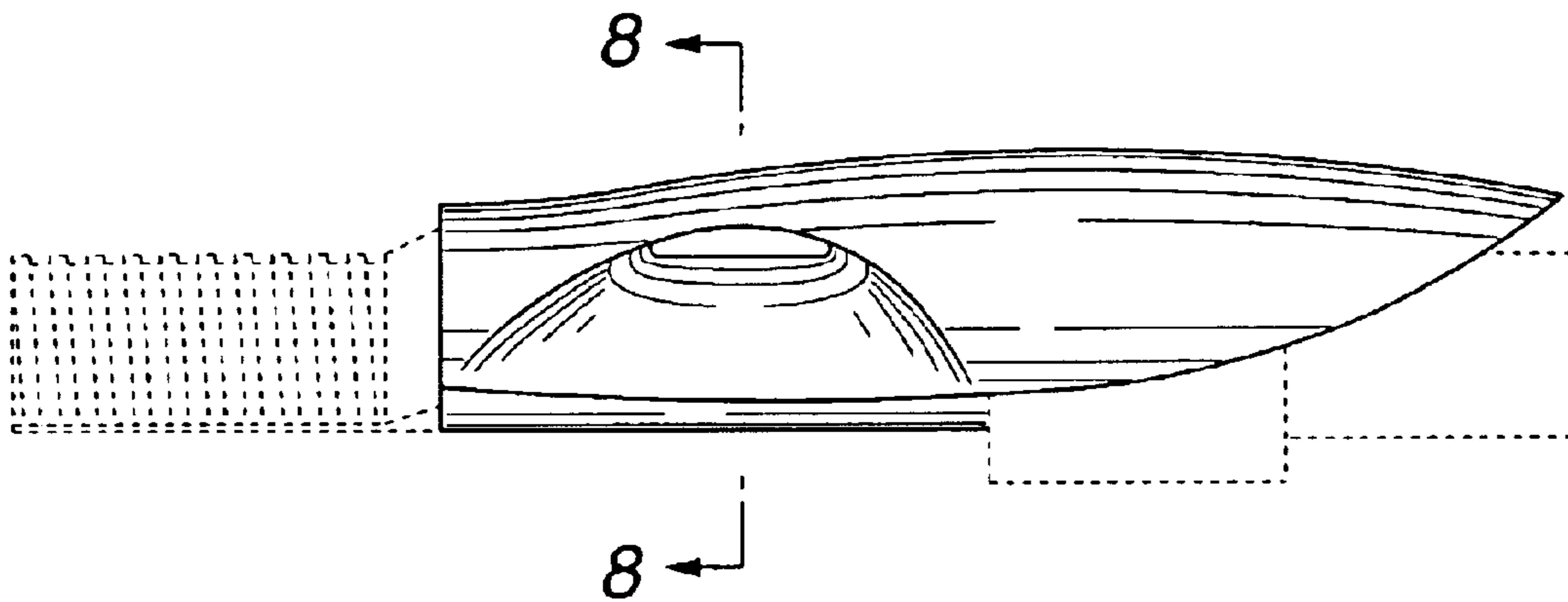


FIG. 3

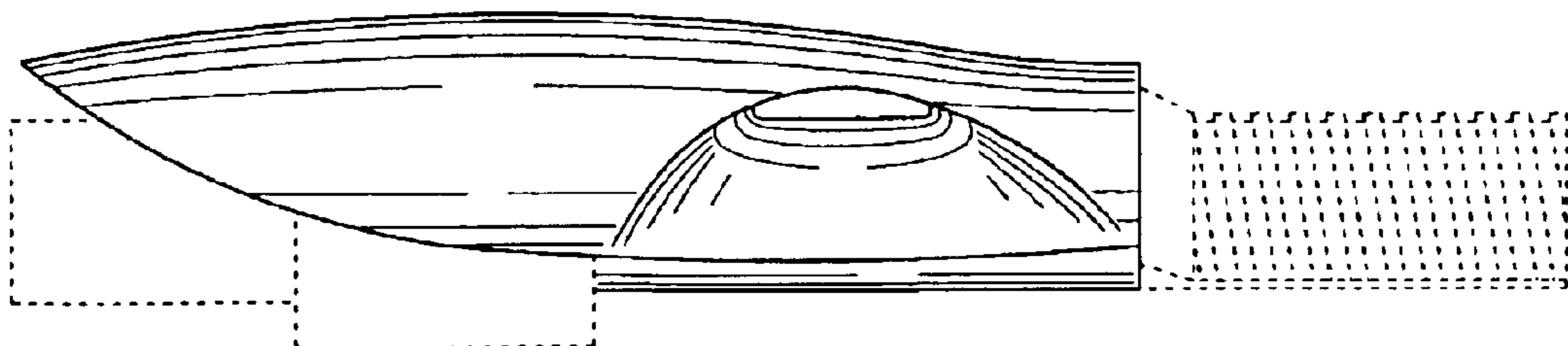


FIG. 4

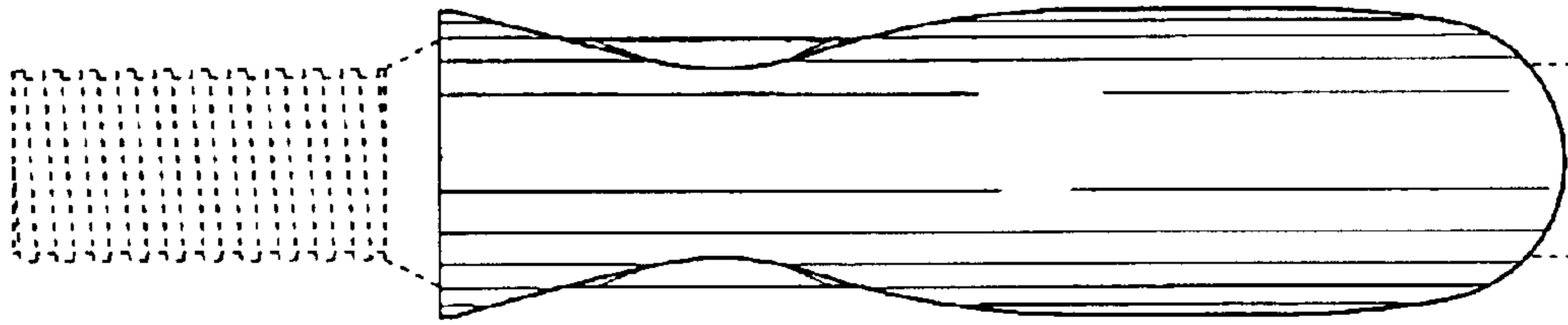


FIG. 5

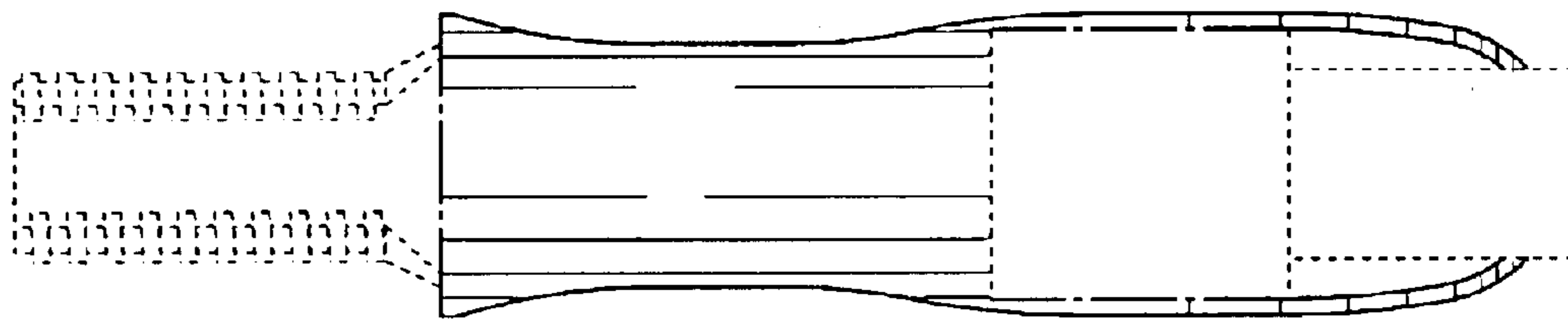


FIG. 6

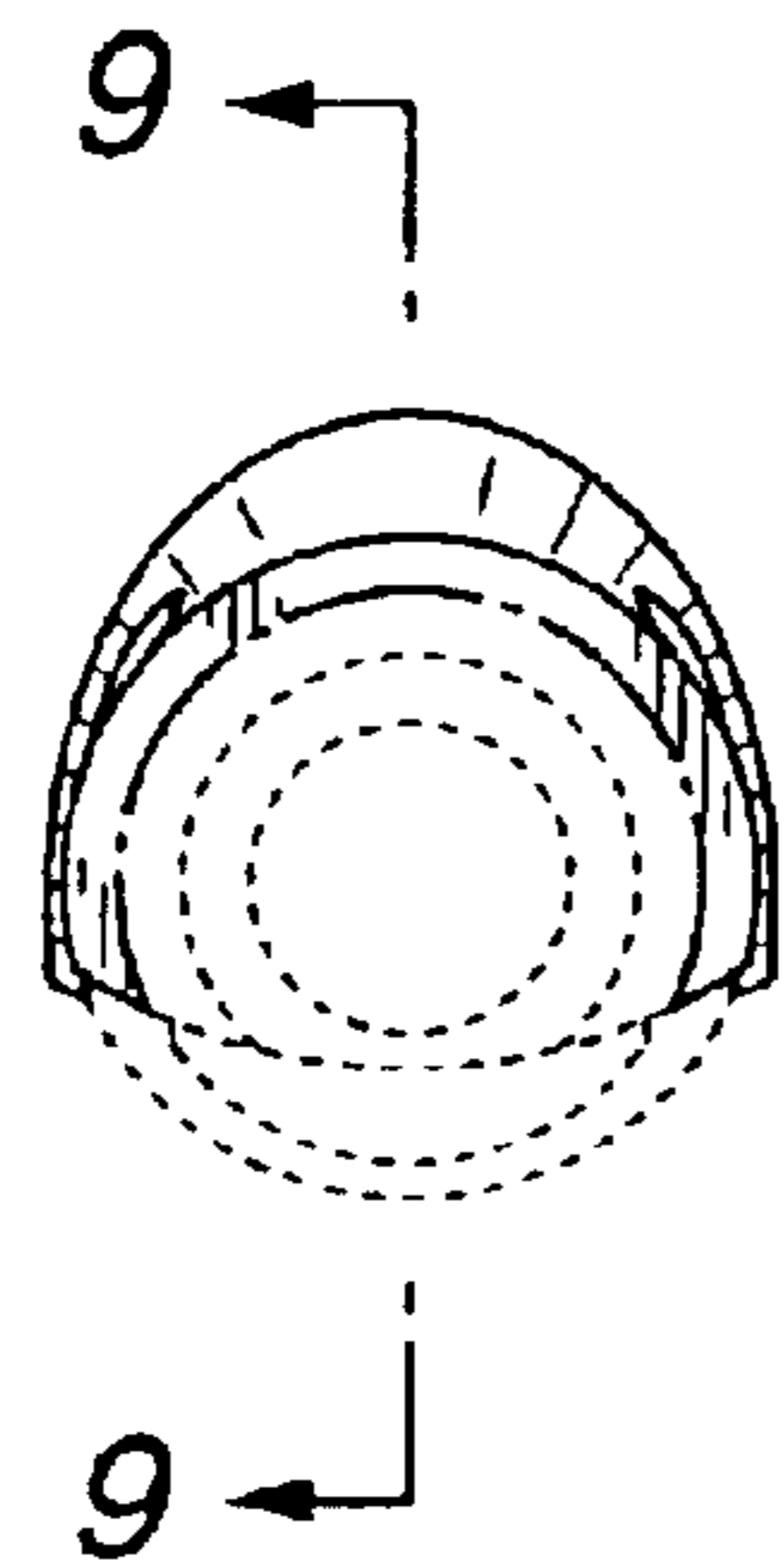


FIG. 7

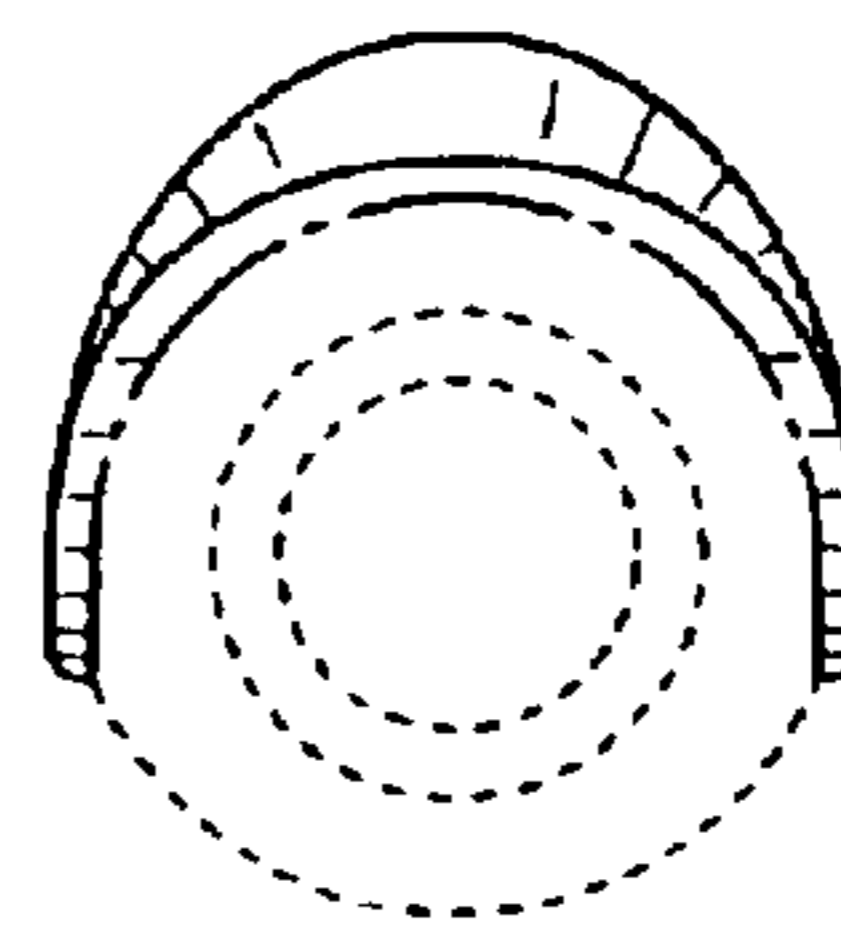


FIG. 8

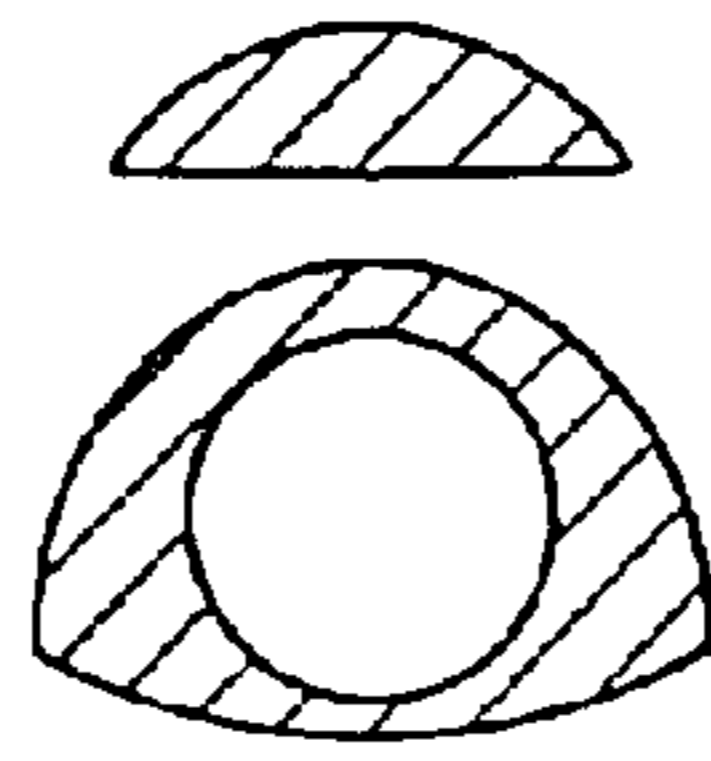


FIG. 9

