

US00D492377S1

(12) **United States Design Patent**
Roach et al.

(10) **Patent No.:** **US D492,377 S**
(45) **Date of Patent:** **** Jun. 29, 2004**

(54) **GOLF CLUB HEAD**

D435,073 S * 12/2000 Stone et al. D21/748
D435,278 S * 12/2000 Reed et al. D21/747

(75) Inventors: **Ryan Roach**, Northampton, MA (US);
Steven J. Mahaffey, Belchertown, MA (US)

* cited by examiner

Primary Examiner—Mitchell Siegel

(73) Assignee: **The Top Flite Golf Company**,
Chicopee, MA (US)

(57) **CLAIM**

The ornamental design for a golf club head, as shown.

(**) Term: **14 Years**

DESCRIPTION

(21) Appl. No.: **29/172,809**

FIG. 1 is a front perspective view of the invention illustrating my design;

(22) Filed: **Dec. 18, 2002**

FIG. 2 is a rear elevation view thereof;

(51) **LOC (7) Cl.** **21-02**

FIG. 3 is a top elevation view thereof;

(52) **U.S. Cl.** **D21/748**

FIG. 4 is a front elevation view thereof;

(58) **Field of Search** D21/747-751;
473/324, 327-331, 350

FIG. 5 is a bottom elevation view thereof;

FIG. 6 is a left side elevation view thereof;

FIG. 7 is a right side elevation view thereof;

FIG. 8 is a left side sectional view taken along line 8-8 of FIG. 4;

FIG. 9 is a left side sectional view taken along line 9-9 of FIG. 4; and,

FIG. 10 is a left side sectional view taken along line 10-10 of FIG. 4.

(56) **References Cited**

U.S. PATENT DOCUMENTS

D318,512 S * 7/1991 Piotrowski et al. D21/748
D360,926 S * 8/1995 Hildenbrand D21/748
D363,962 S * 11/1995 Smith D21/748
D399,548 S * 10/1998 Stone et al. D21/733
D422,658 S * 4/2000 Besnard et al. D21/748

1 Claim, 4 Drawing Sheets

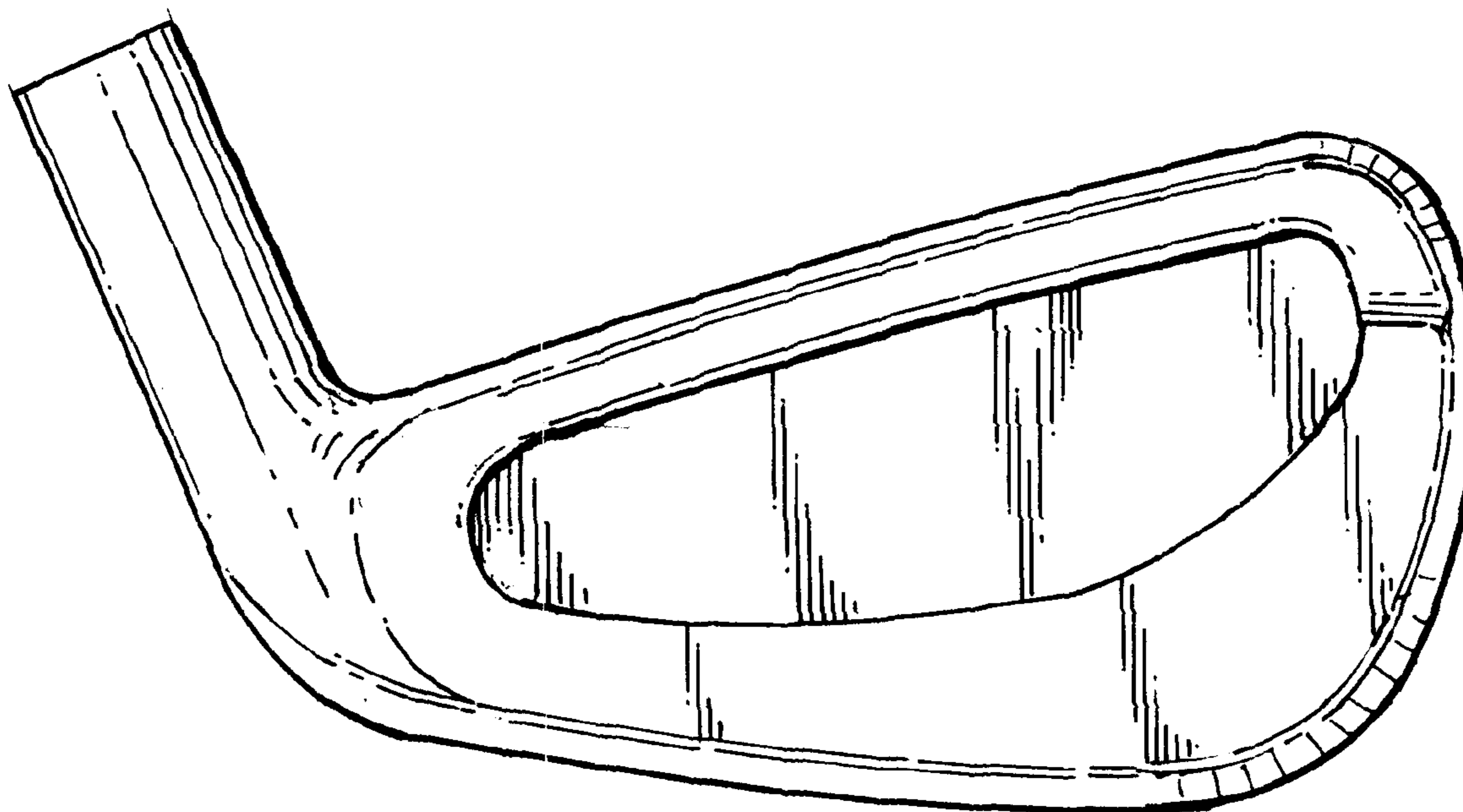


FIG. 1

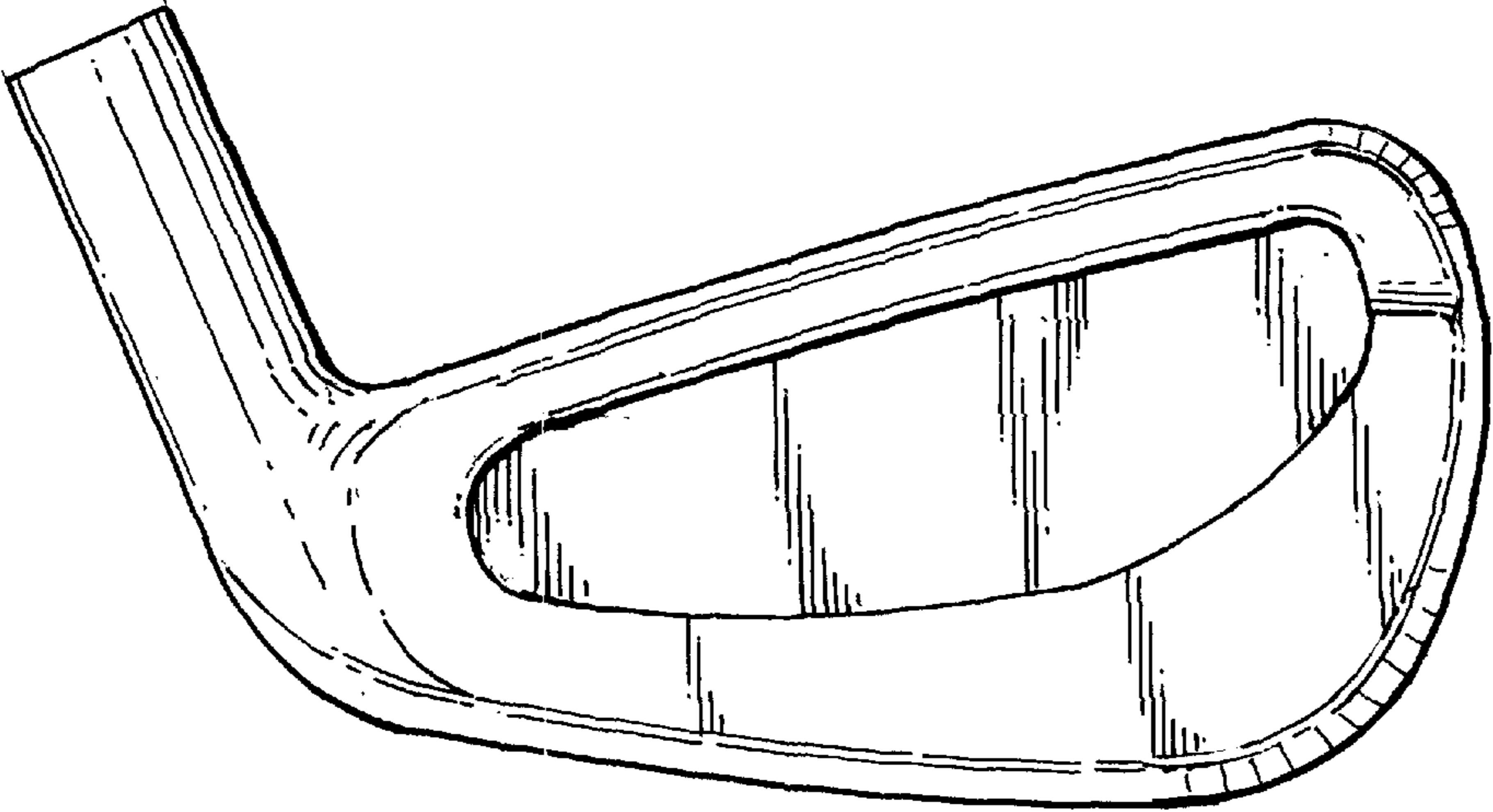
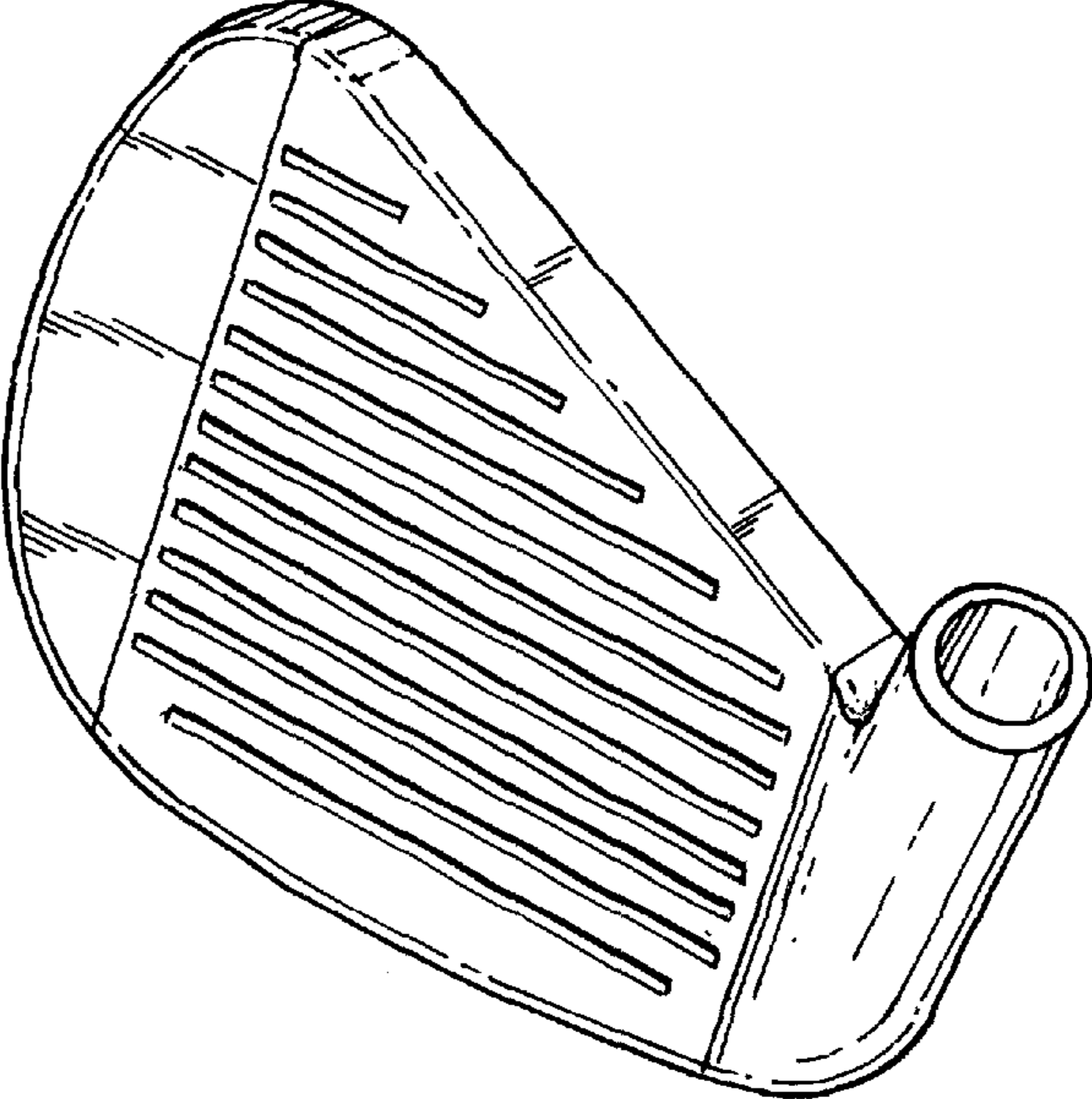


FIG. 2

FIG. 3

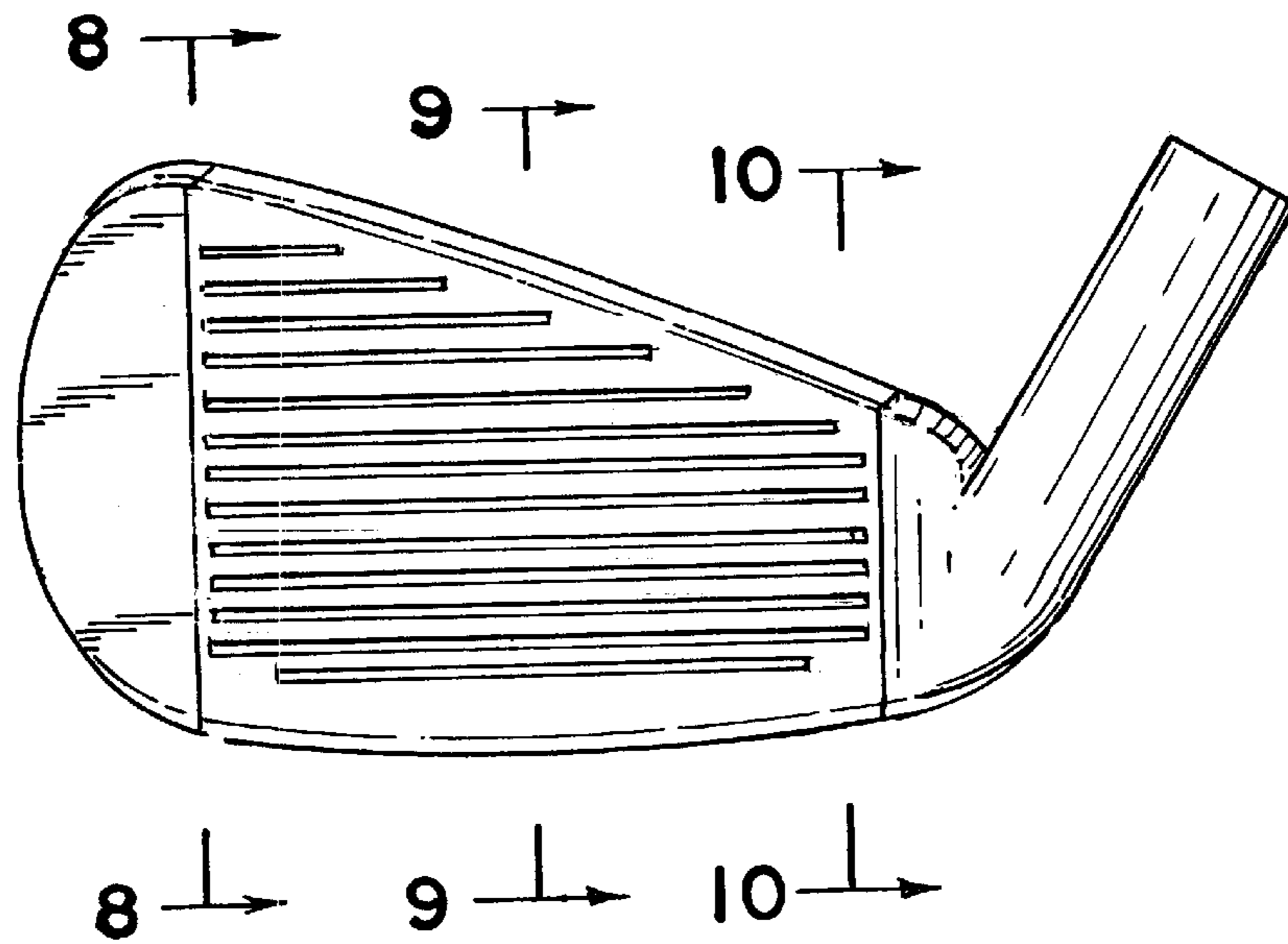
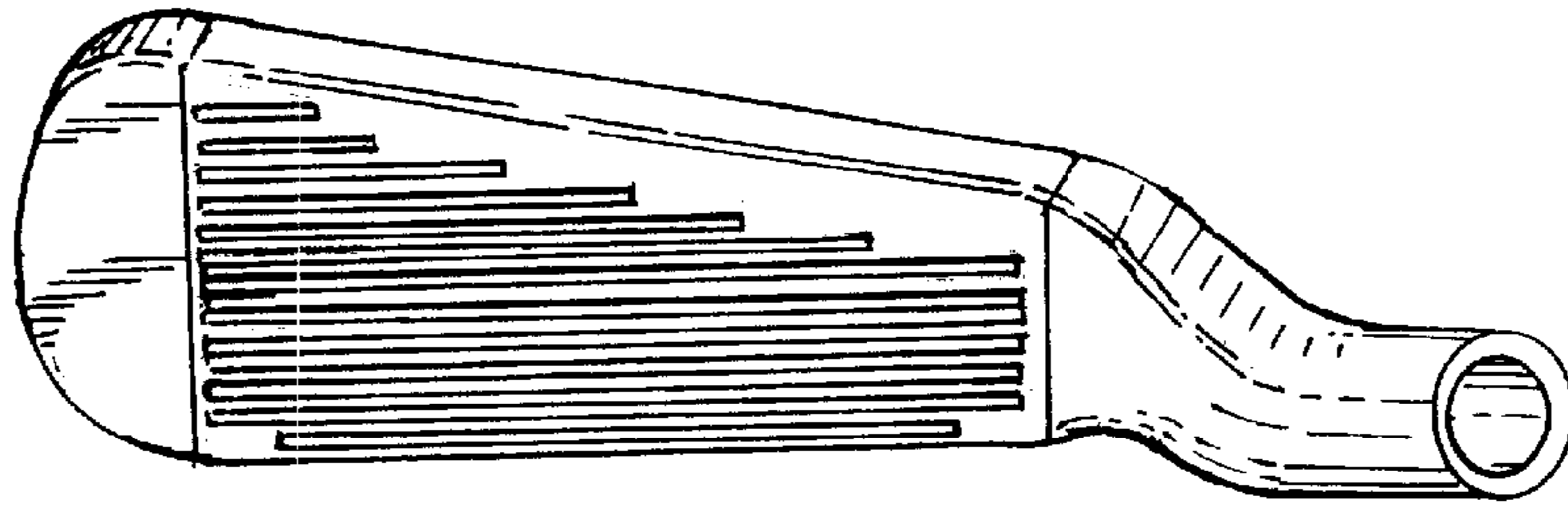


FIG. 4

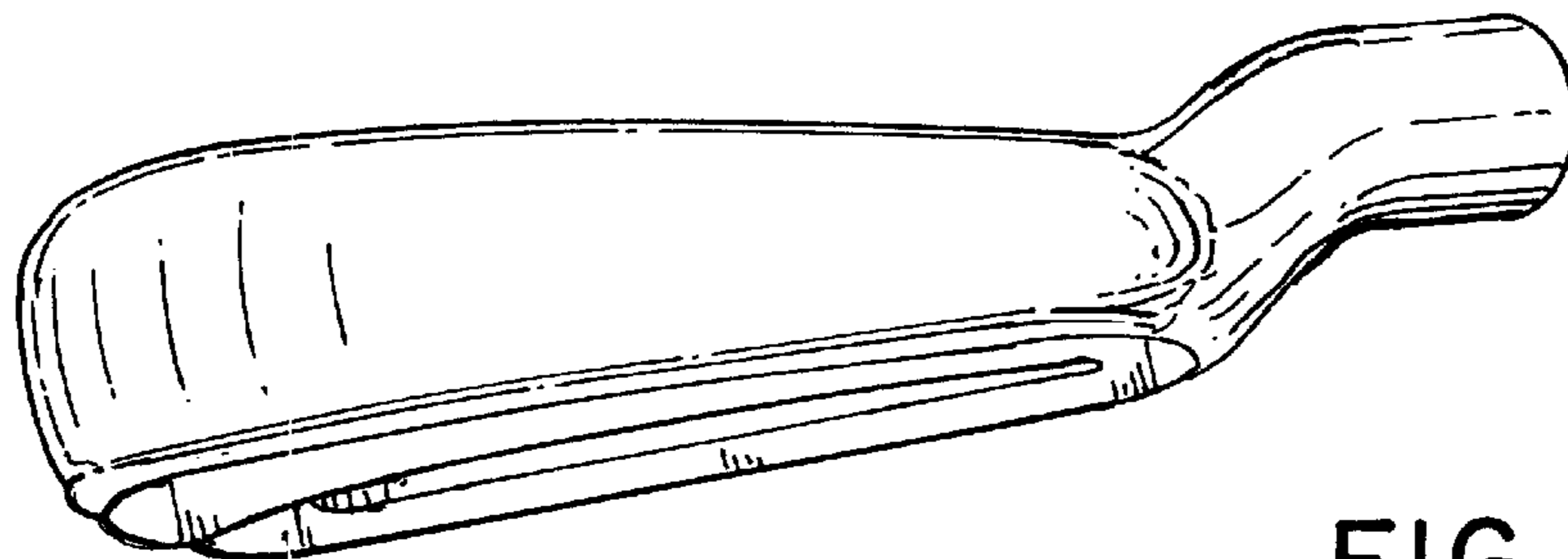


FIG. 5

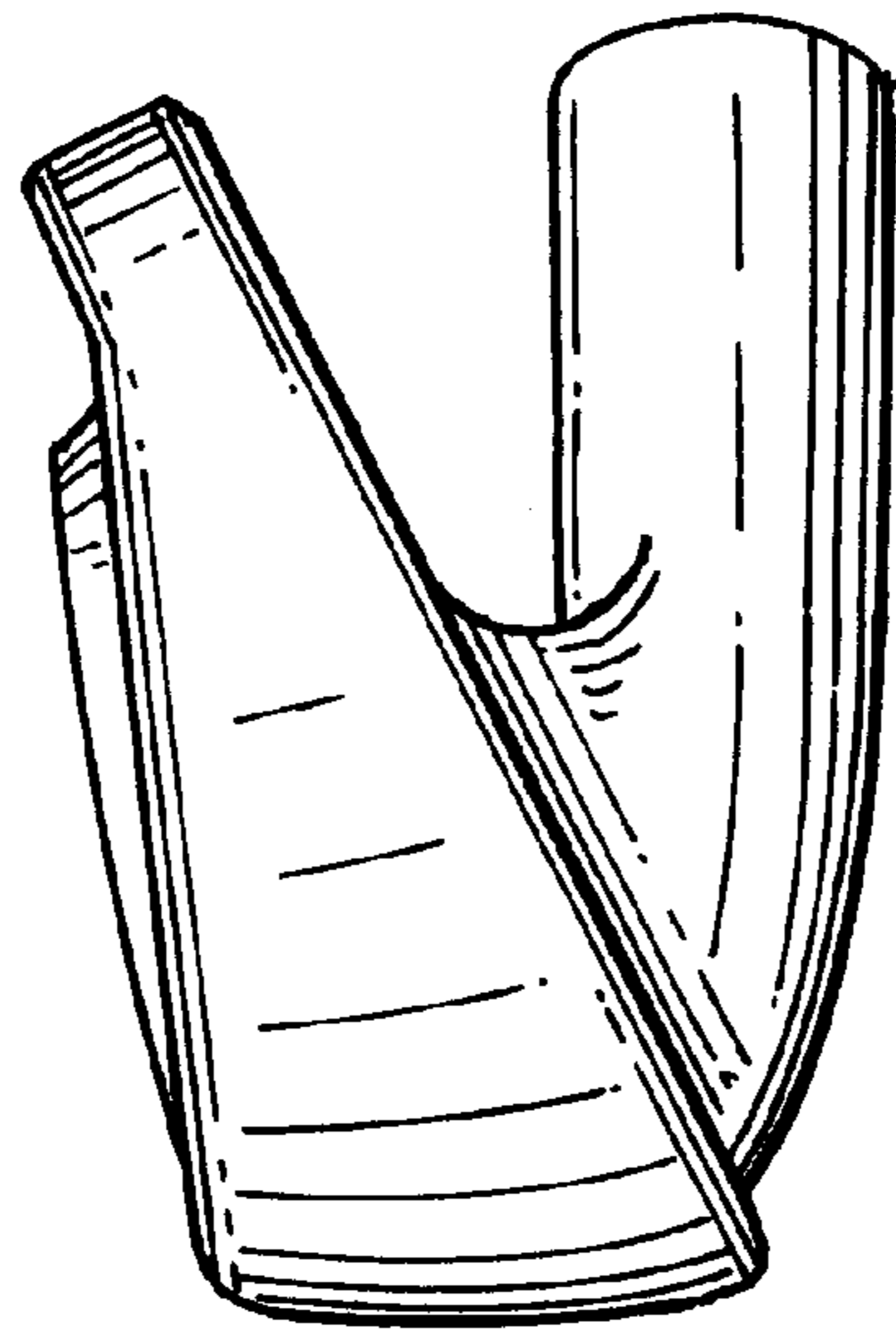


FIG. 6

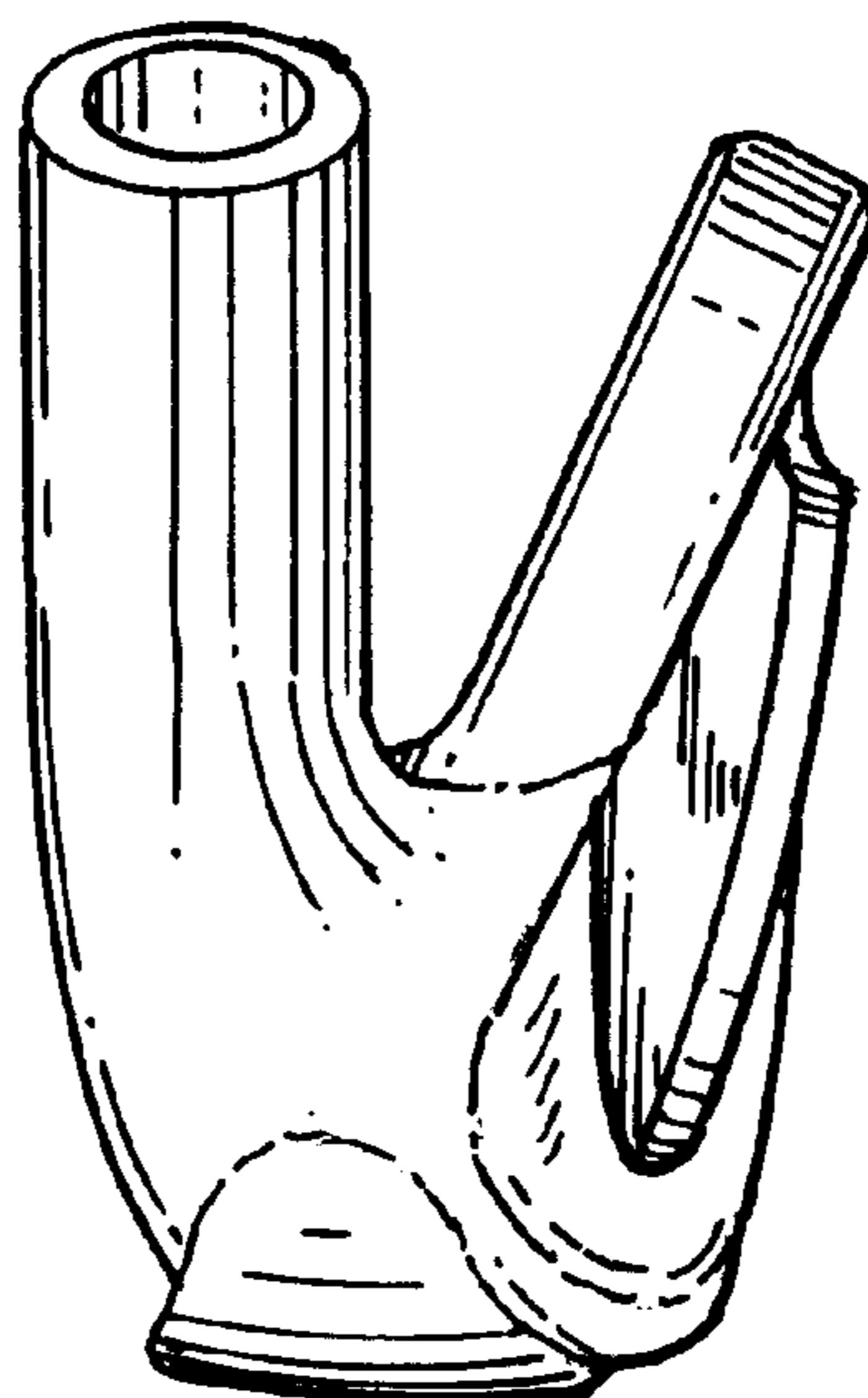


FIG. 7

FIG. 10

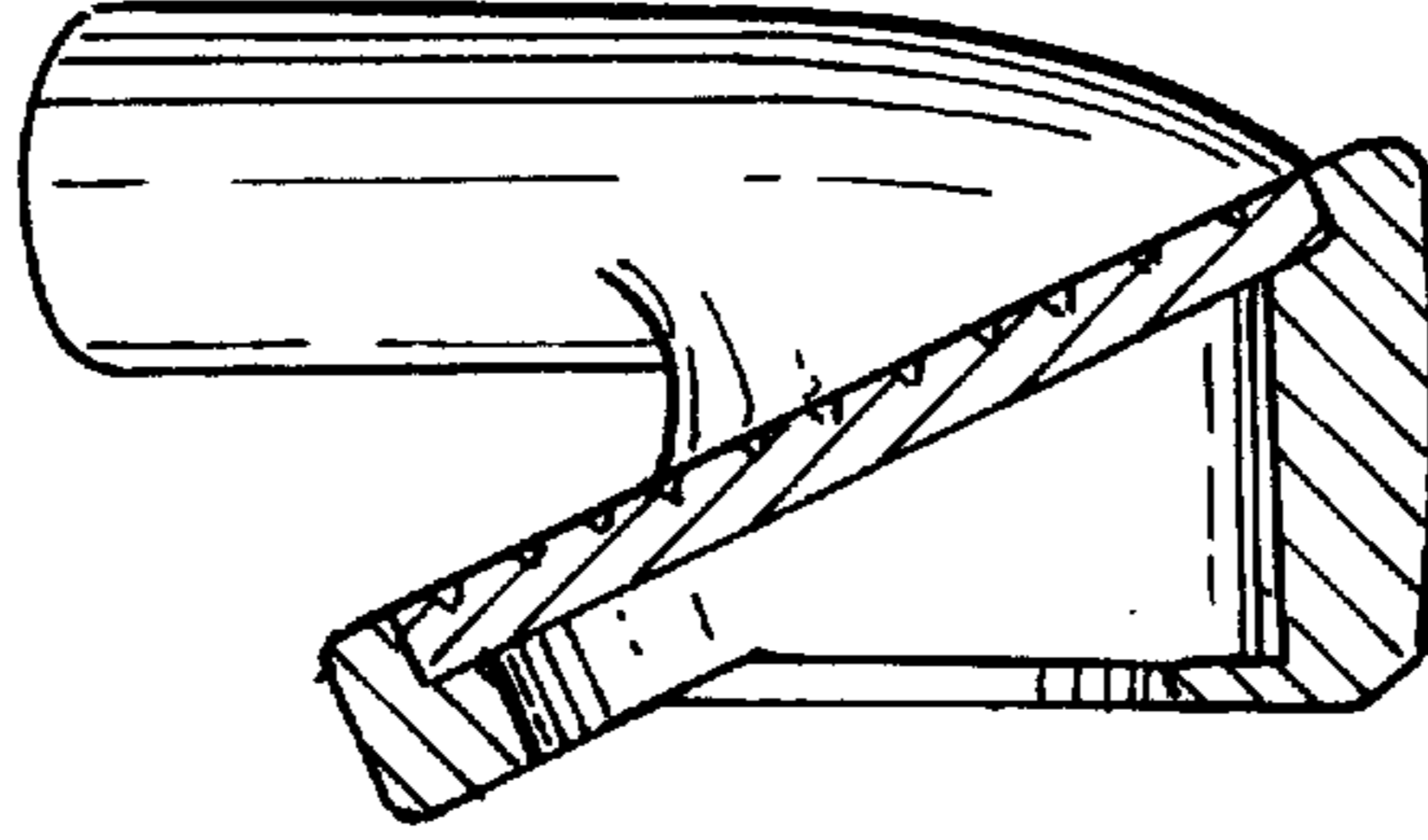


FIG. 9

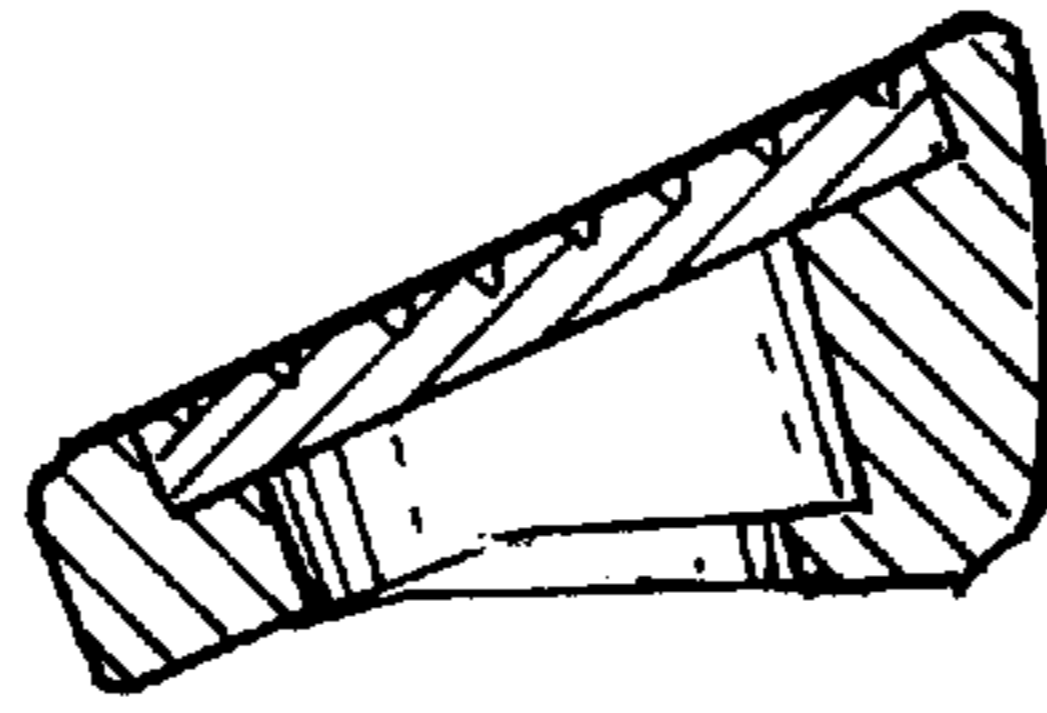


FIG. 8

