

US00D492374S1

(12) **United States Design Patent**
Barouh

(10) **Patent No.:** **US D492,374 S**
(45) **Date of Patent:** **** Jun. 29, 2004**

(54) **GOLF TEE WITH A HEIGHT ADJUSTMENT DEVICE**

(75) Inventor: **Victor Barouh**, Old Westbury, NY (US)

(73) Assignee: **Barouh Eaton Allen Corp.**, Brooklyn, NY (US)

(**) Term: **14 Years**

(21) Appl. No.: **29/187,403**

(22) Filed: **Aug. 1, 2003**

(51) **LOC (7) Cl.** **21-02**

(52) **U.S. Cl.** **D21/718**

(58) **Field of Search** D21/715-718,
D21/789, 793, 794; 473/131-133, 284-287,
386-403, 406, 407

(56) **References Cited**

U.S. PATENT DOCUMENTS

1,553,561 A	9/1925	Scott	
1,597,740 A	* 8/1926	Thompson	473/394
1,625,911 A	4/1927	Richards	
1,638,448 A	8/1927	Manson	
1,959,347 A	* 5/1934	Czichos	473/401
2,700,788 A	2/1955	Hennelly	
3,079,158 A	2/1963	Finn et al.	
3,114,557 A	12/1963	Cabot	
3,203,700 A	8/1965	Antonious	
3,408,079 A	10/1968	Kirikos	
3,883,144 A	5/1975	Lazow	
D293,261 S	12/1987	Sadowski	
D306,194 S	* 2/1990	Sadowski	D21/718
5,052,689 A	10/1991	Lettrich	
5,240,254 A	8/1993	Adlam	
5,356,146 A	10/1994	Blosser	
D360,006 S	7/1995	Samples	
D370,041 S	* 5/1996	Thomas	D21/718
5,569,102 A	10/1996	Karron	
5,571,055 A	* 11/1996	Lewis et al.	473/398
5,672,122 A	9/1997	Strong	
5,720,677 A	2/1998	Rudduck	
5,890,976 A	4/1999	Anderson	

D411,276 S	6/1999	Rosenfeld	
D413,640 S	* 9/1999	Fearer, III	D21/718
D428,954 S	8/2000	Tate	
6,475,107 B1	11/2002	Sand	
D468,379 S	* 1/2003	Gan	D21/717

OTHER PUBLICATIONS

U.S. patent application Ser. No. 10/631,843—Filed: Aug. 1, 2003.

U.S. patent application Ser. No. 10/631,802—Filed: Aug. 1, 2003.

U.S. patent application Ser. No. 29/187,404—Filed: Aug. 1, 2003.

* cited by examiner

Primary Examiner—Philip S. Hyder

Assistant Examiner—C. Tuttle

(74) *Attorney, Agent, or Firm*—Dinesh Agarwal, P.C.

(57) **CLAIM**

The ornamental design for a golf tee with a height adjustment device, as shown and described.

DESCRIPTION

FIG. 1 is a perspective view of a golf tee with a height adjustment device of the present invention;

FIG. 2 is a front elevational view of the golf tee with a height adjustment device of FIG. 1, the rear elevational view being similar thereto;

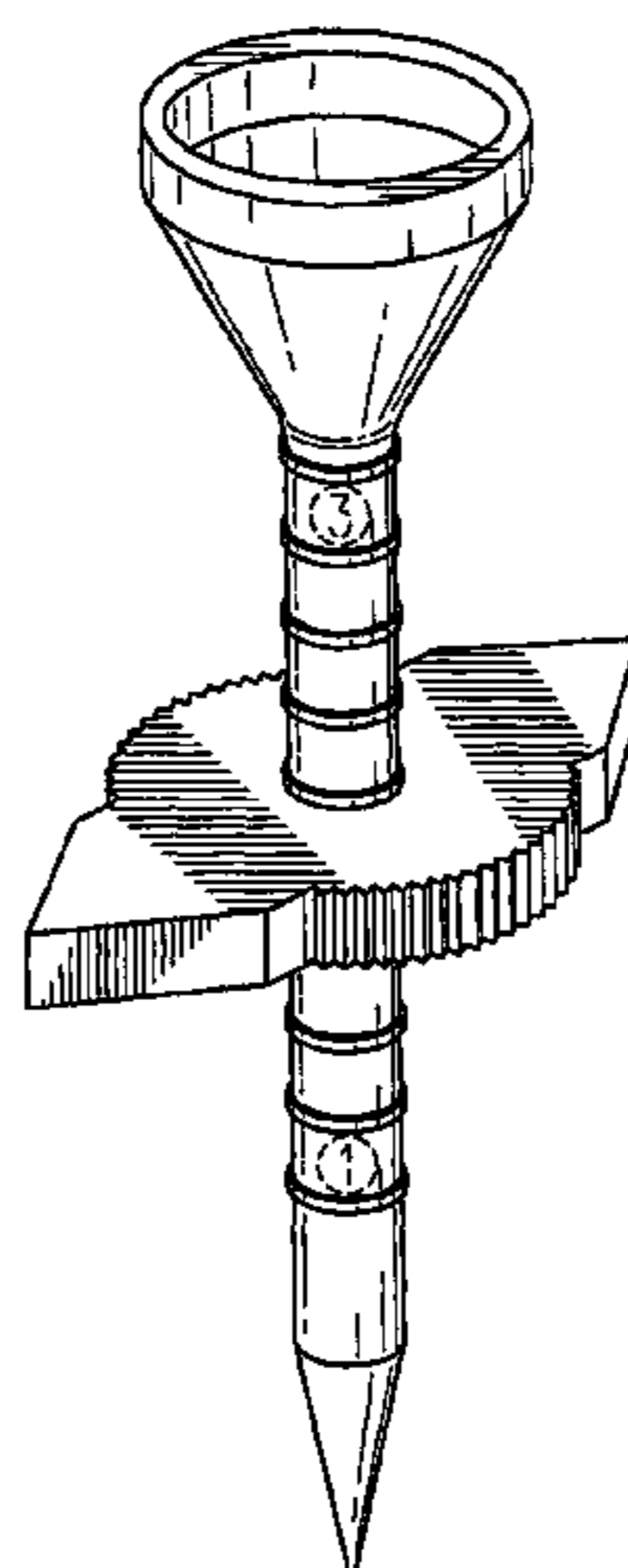
FIG. 3 is a top plan view of the golf tee with a height adjustment device of FIG. 1;

FIG. 4 is a left side view of the golf tee with a height adjustment device of FIG. 1, the right side view being similar thereto;

FIG. 5 is a bottom plan view of the golf tee with a height adjustment device of FIG. 1; and,

FIG. 6 is a perspective view of the golf tee with a height adjustment device of FIG. 1, shown in use on a golf course. The matter shown in phantom lines in FIGS. 1, 2, and 6 is for illustrative purposes only and forms no part of the claimed design.

1 Claim, 3 Drawing Sheets



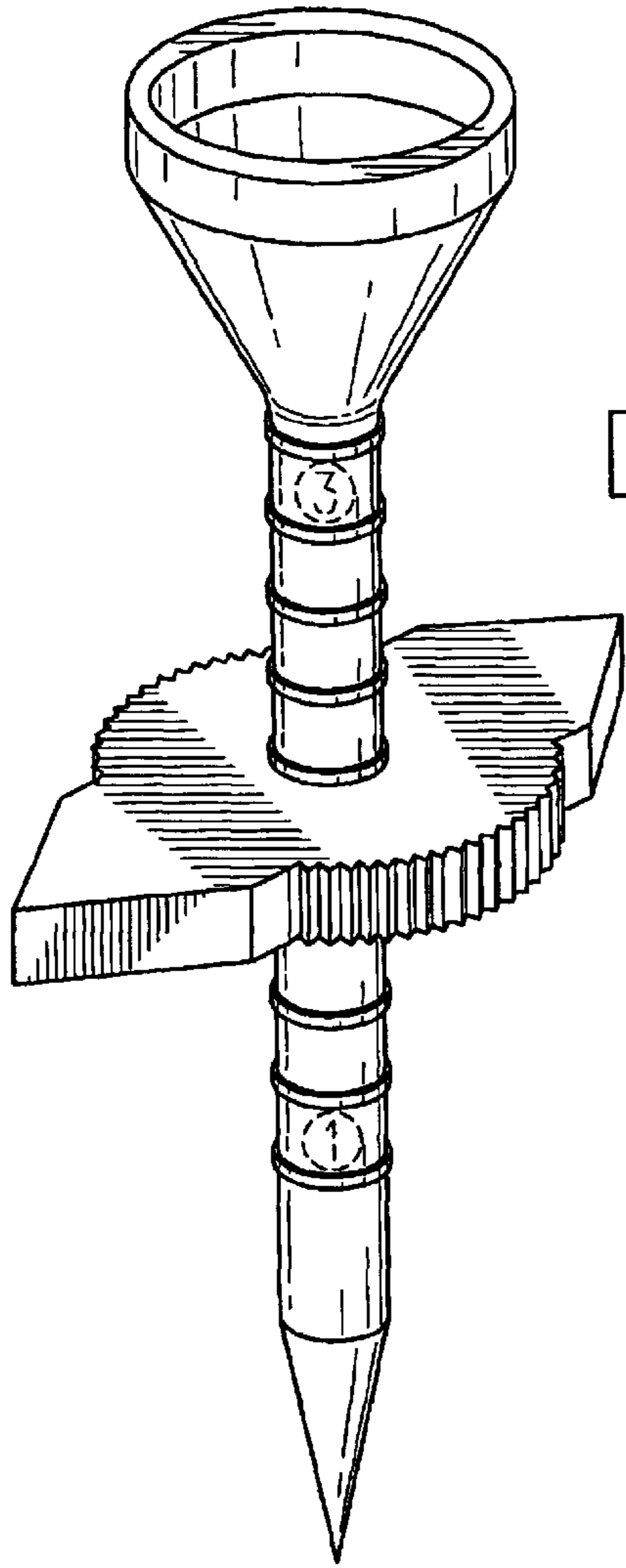


FIG. 1

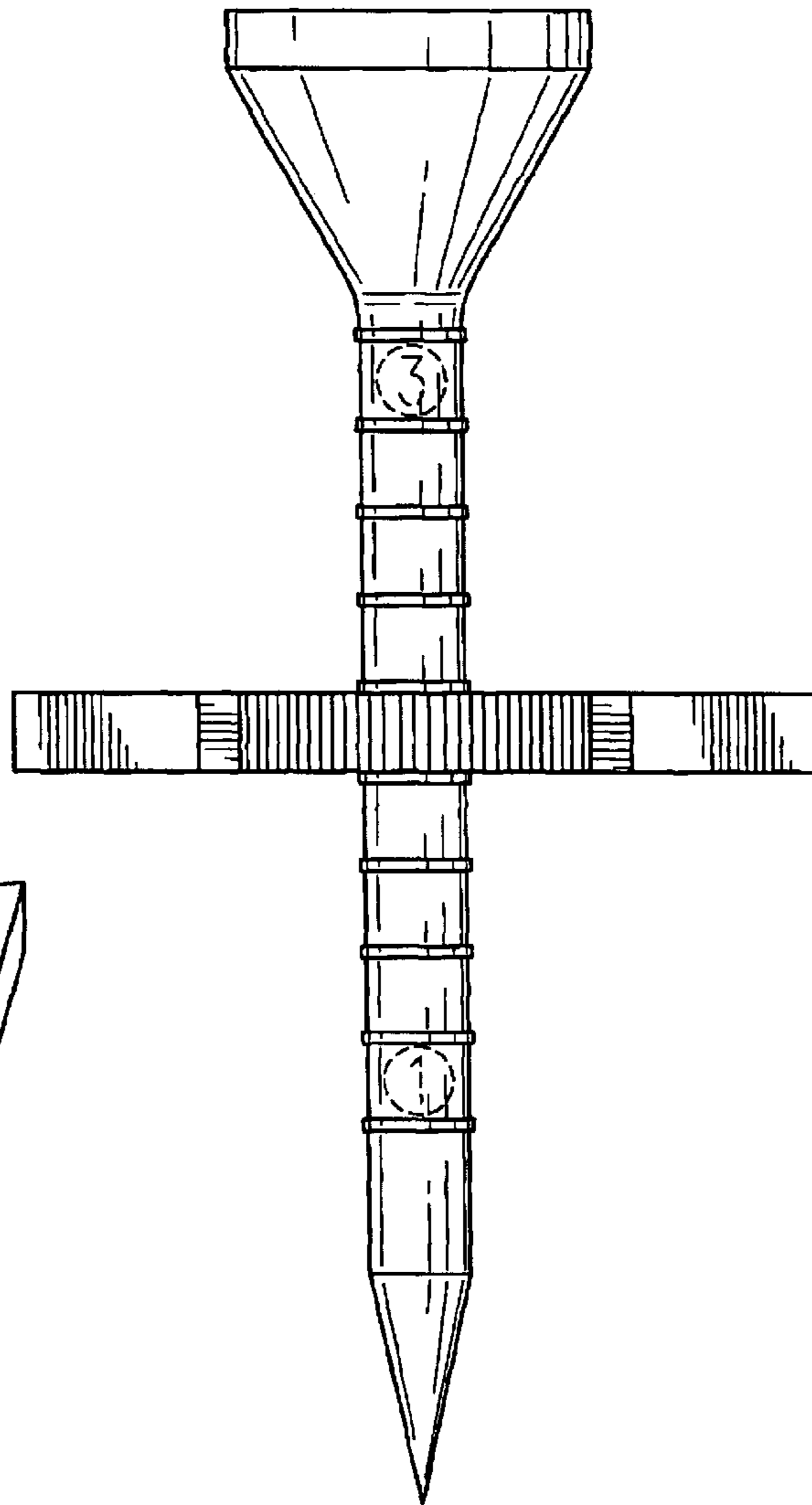


FIG. 2

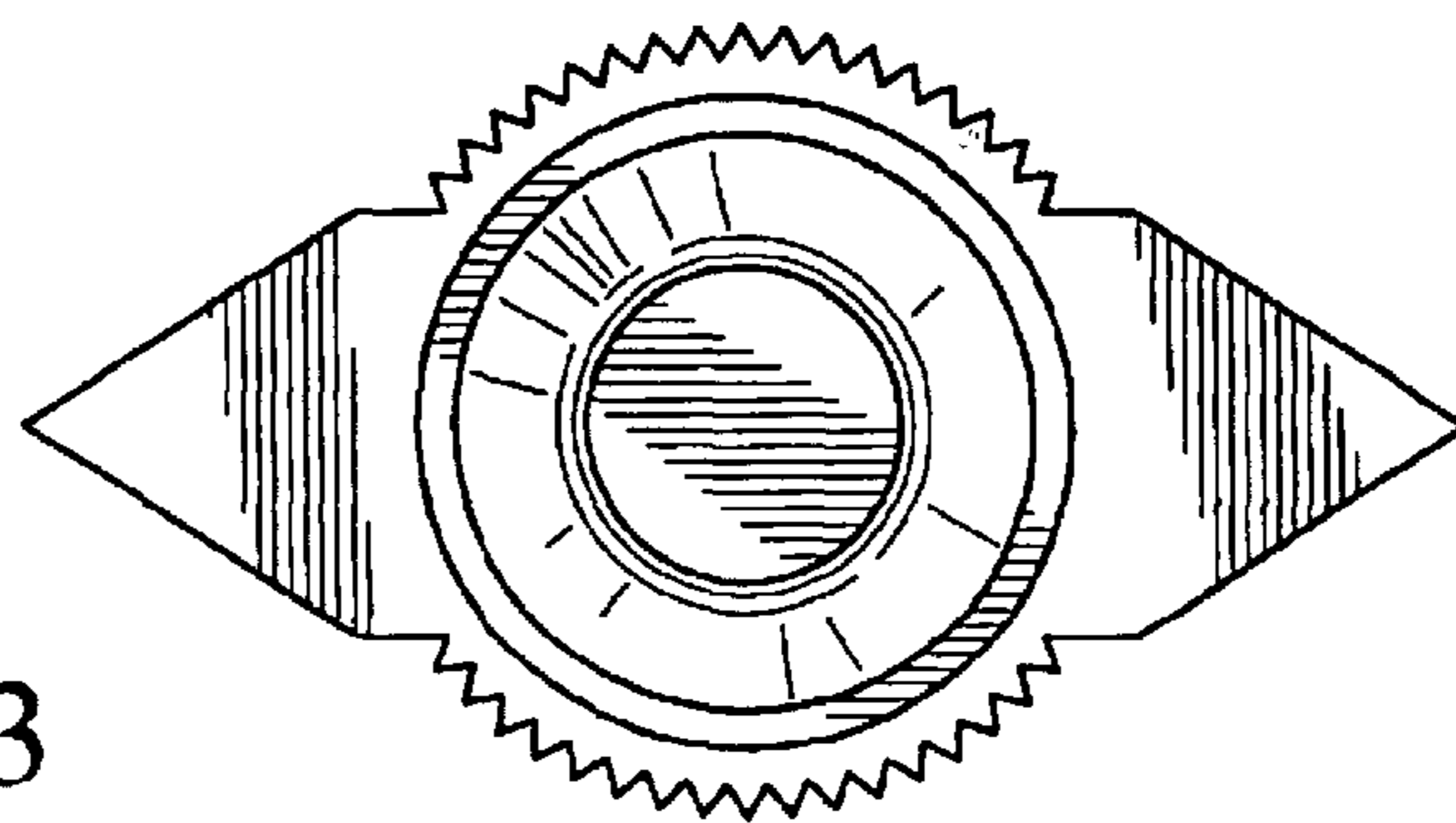


FIG. 3

FIG. 4

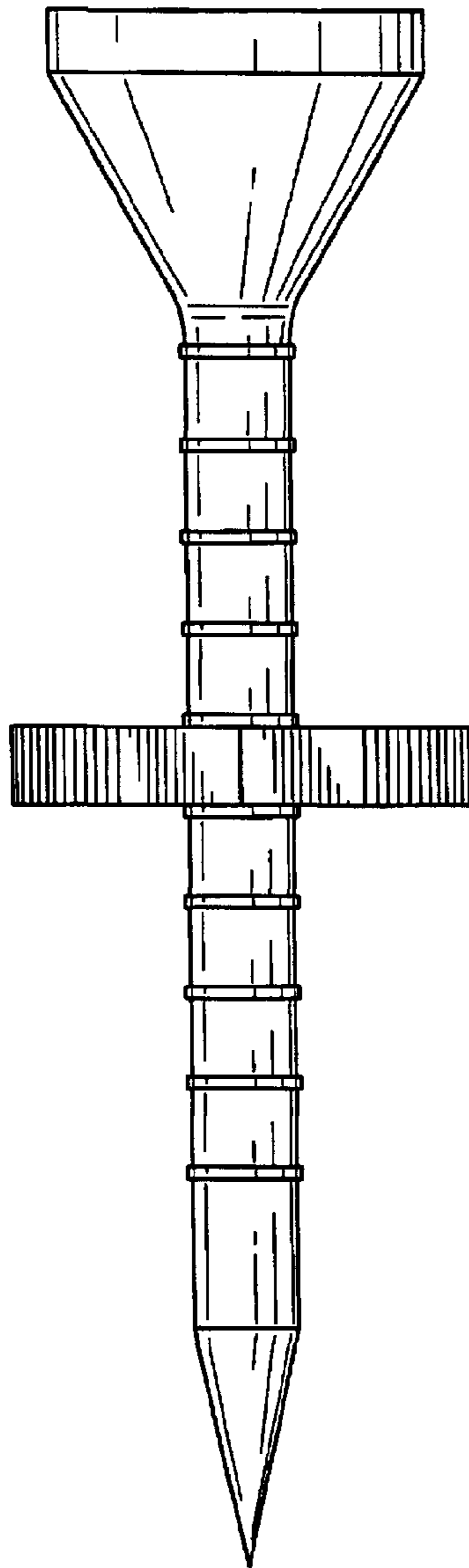
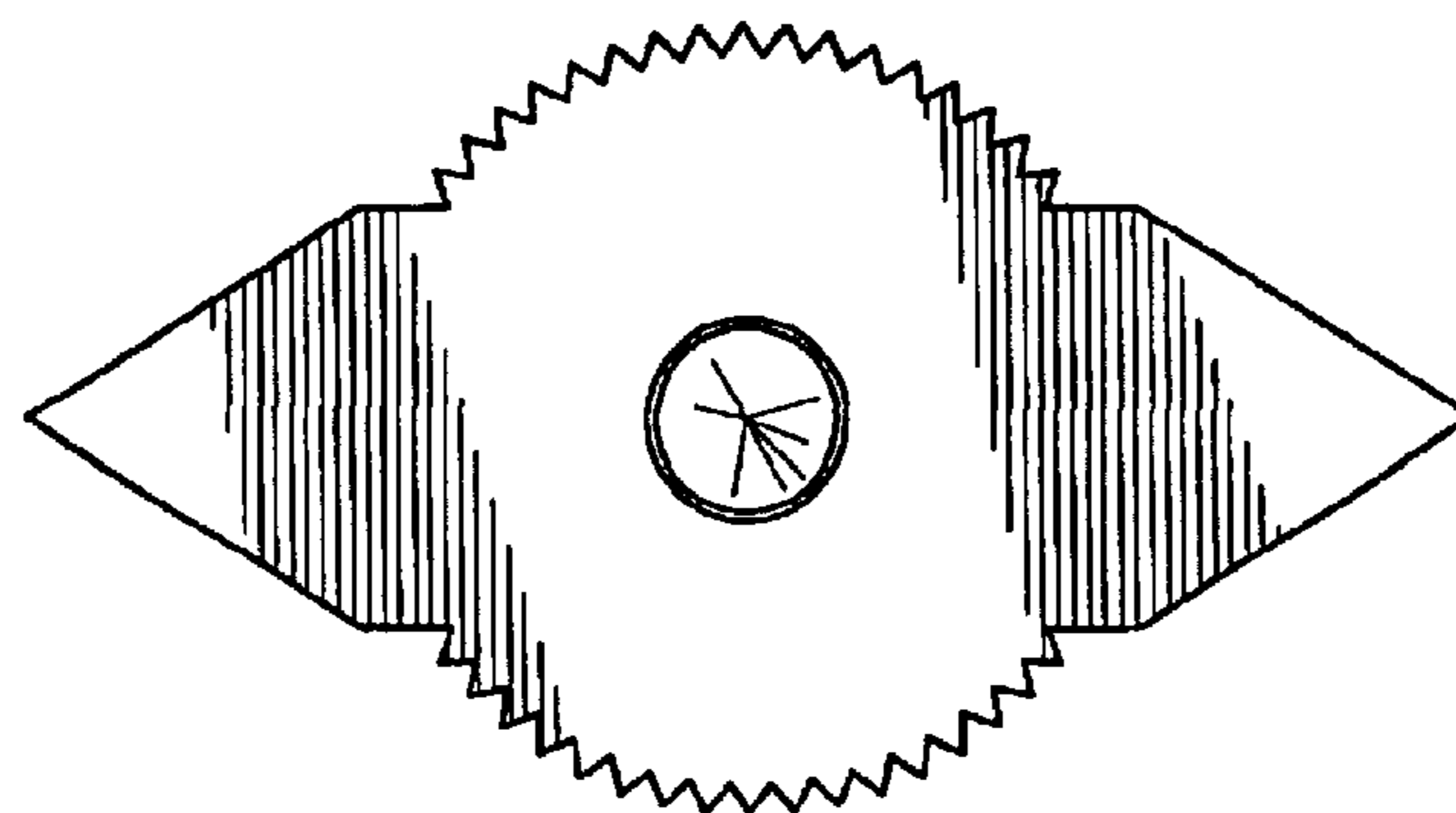


FIG. 5



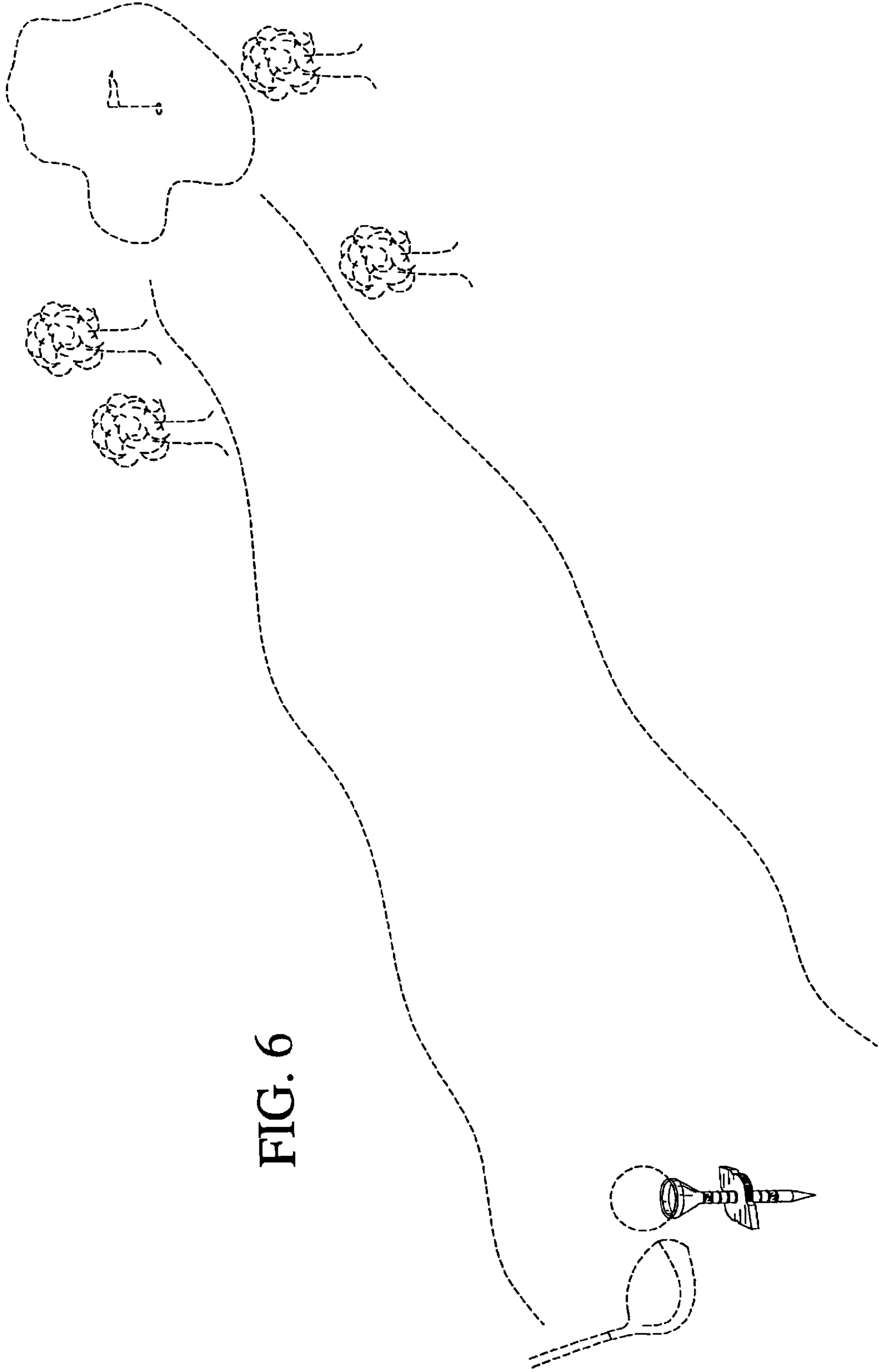


FIG. 6