



US00D492370S1

(12) **United States Design Patent**  
**Yeung**

(10) **Patent No.:** **US D492,370 S**

(45) **Date of Patent:** **\*\* Jun. 29, 2004**

(54) **RADIO FREQUENCY TOY CONTROLLER**

D455,465 S \* 4/2002 Yamazaki ..... D21/566  
D456,050 S \* 4/2002 Bao ..... D21/566  
D485,587 S \* 1/2004 Hui ..... D21/566

(75) Inventor: **Chan Yeung**, Kowloon (HK)

\* cited by examiner

(73) Assignee: **RadioShack Corporation**, Fort Worth, TX (US)

*Primary Examiner*—Raphael Barkai

(\*\*) Term: **14 Years**

(74) *Attorney, Agent, or Firm*—Haynes and Boone, LLP

(21) Appl. No.: **29/185,632**

(57) **CLAIM**

(22) Filed: **Jul. 1, 2003**

The design for the radio frequency toy controller, as shown.

(51) **LOC (7) Cl.** ..... **21-01**

**DESCRIPTION**

(52) **U.S. Cl.** ..... **D21/566**

FIG. 1 is a perspective view of the radio frequency toy controller showing my new design;

(58) **Field of Search** ..... D21/324, 329, D21/333, 566; 273/148 B; 463/1, 29-35, 46-47; D14/401, 218; 446/454-456

FIG. 2 is a front view thereof;

FIG. 3 is a side view thereof;

FIG. 4 is a side view thereof;

FIG. 5 is a rear view thereof;

FIG. 6 is a top view thereof;

FIG. 7 is a bottom view thereof;

FIG. 8 is a perspective view thereof; and,

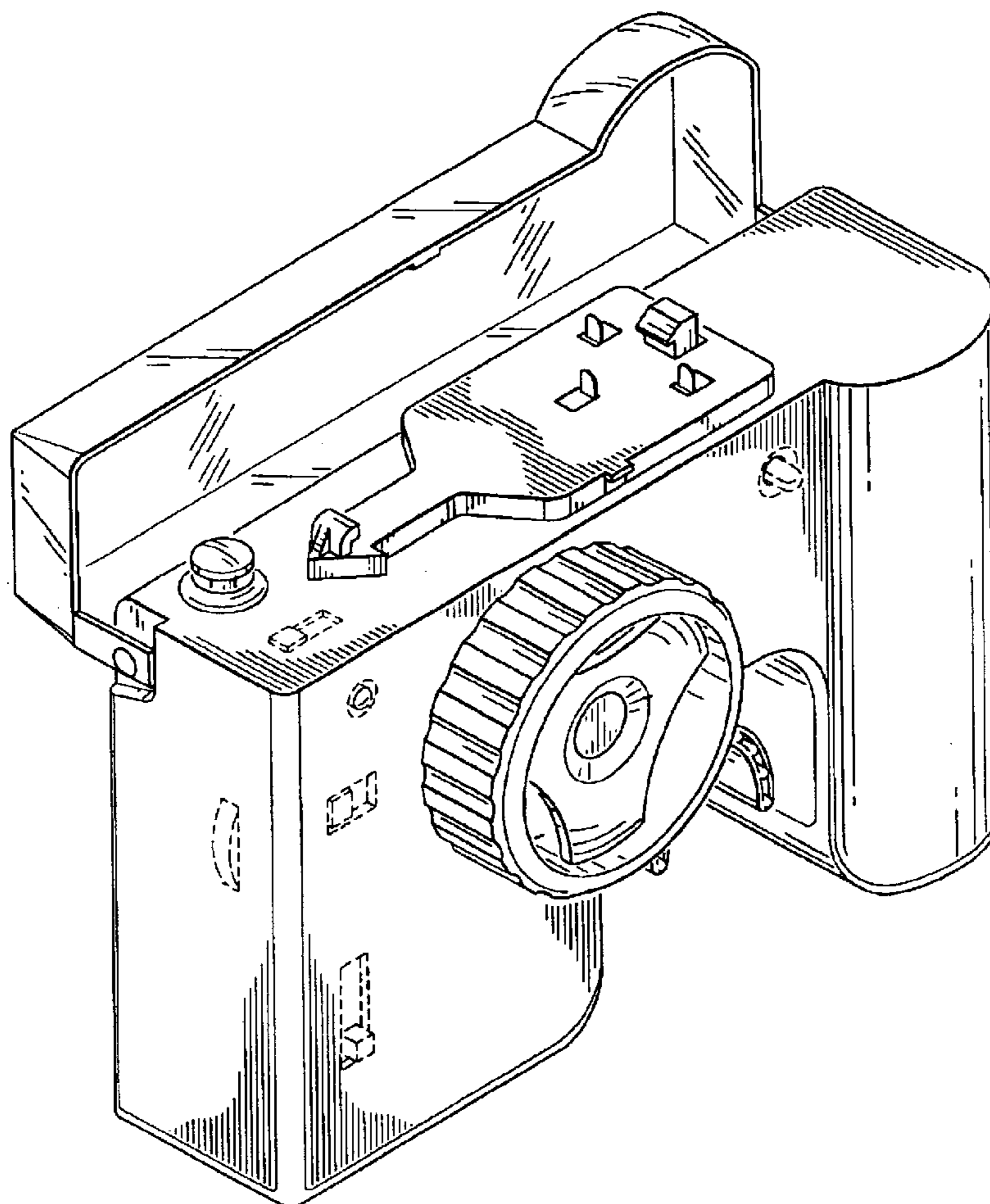
FIG. 9 is a perspective view thereof.

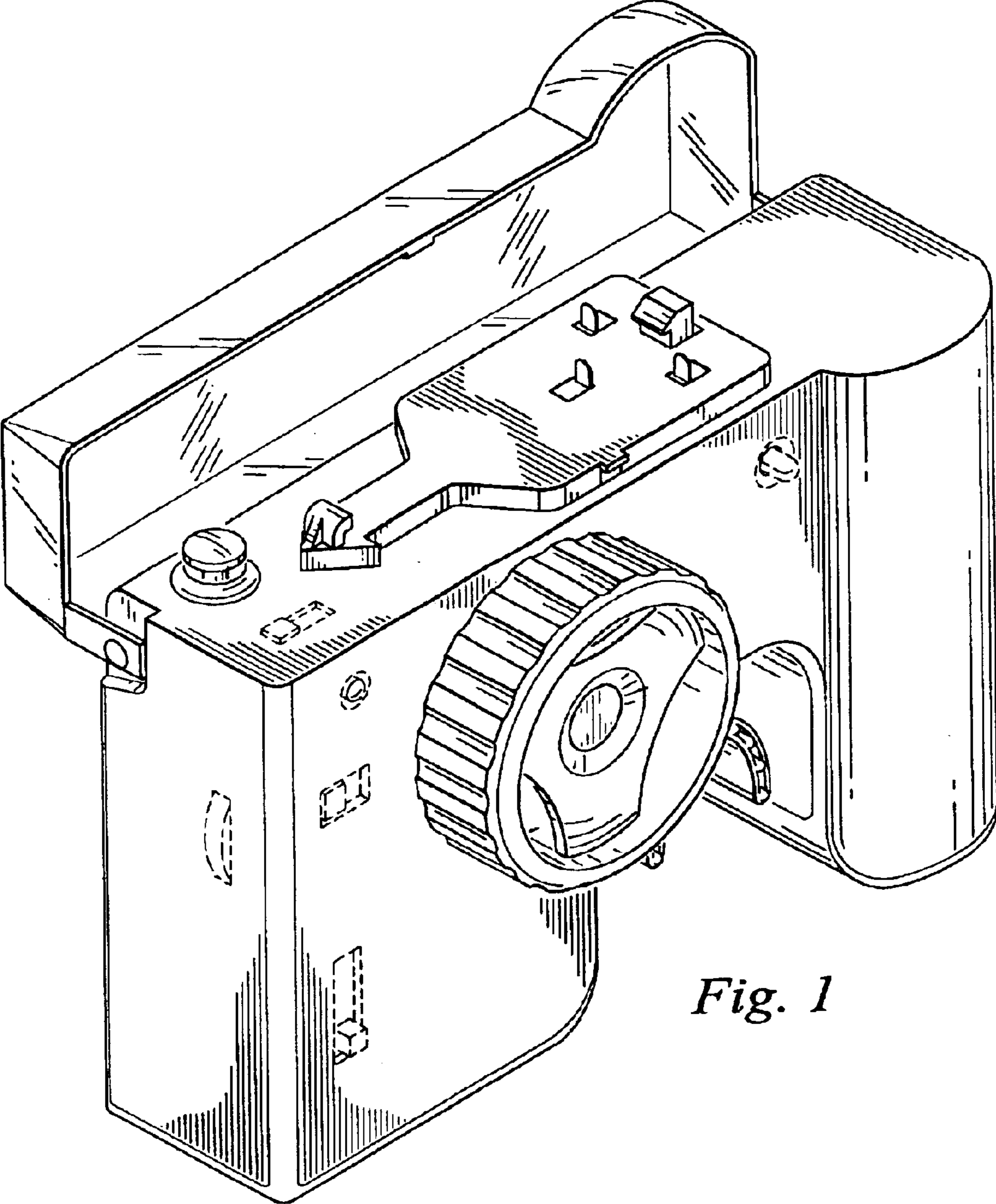
(56) **References Cited**

**U.S. PATENT DOCUMENTS**

4,358,104 A \* 11/1982 Rivette et al. .... 446/454  
D350,572 S \* 9/1994 Vashey ..... D21/566  
D395,472 S \* 6/1998 Kanetsuna et al. .... D21/566

**1 Claim, 4 Drawing Sheets**





*Fig. 1*

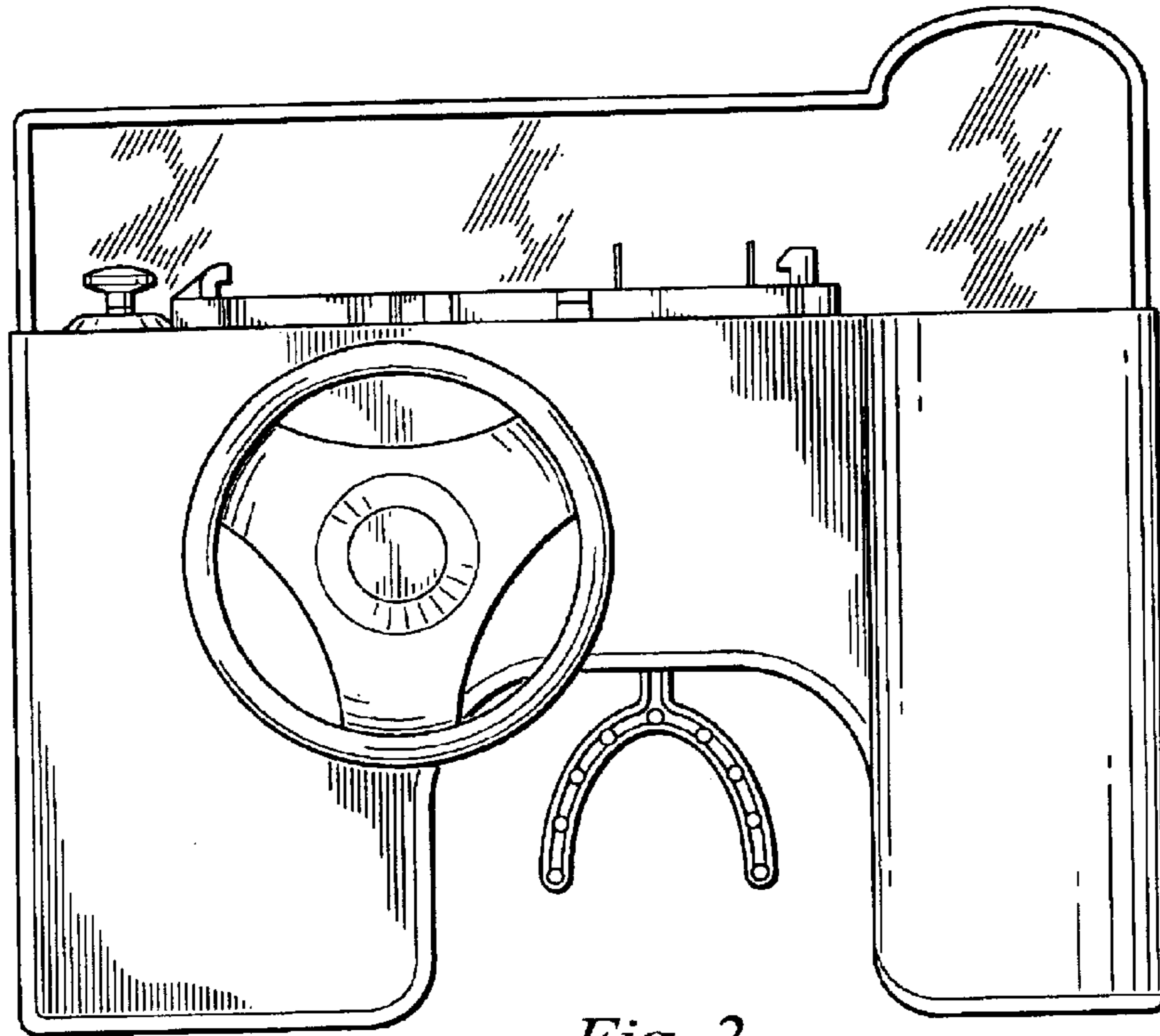


Fig. 2

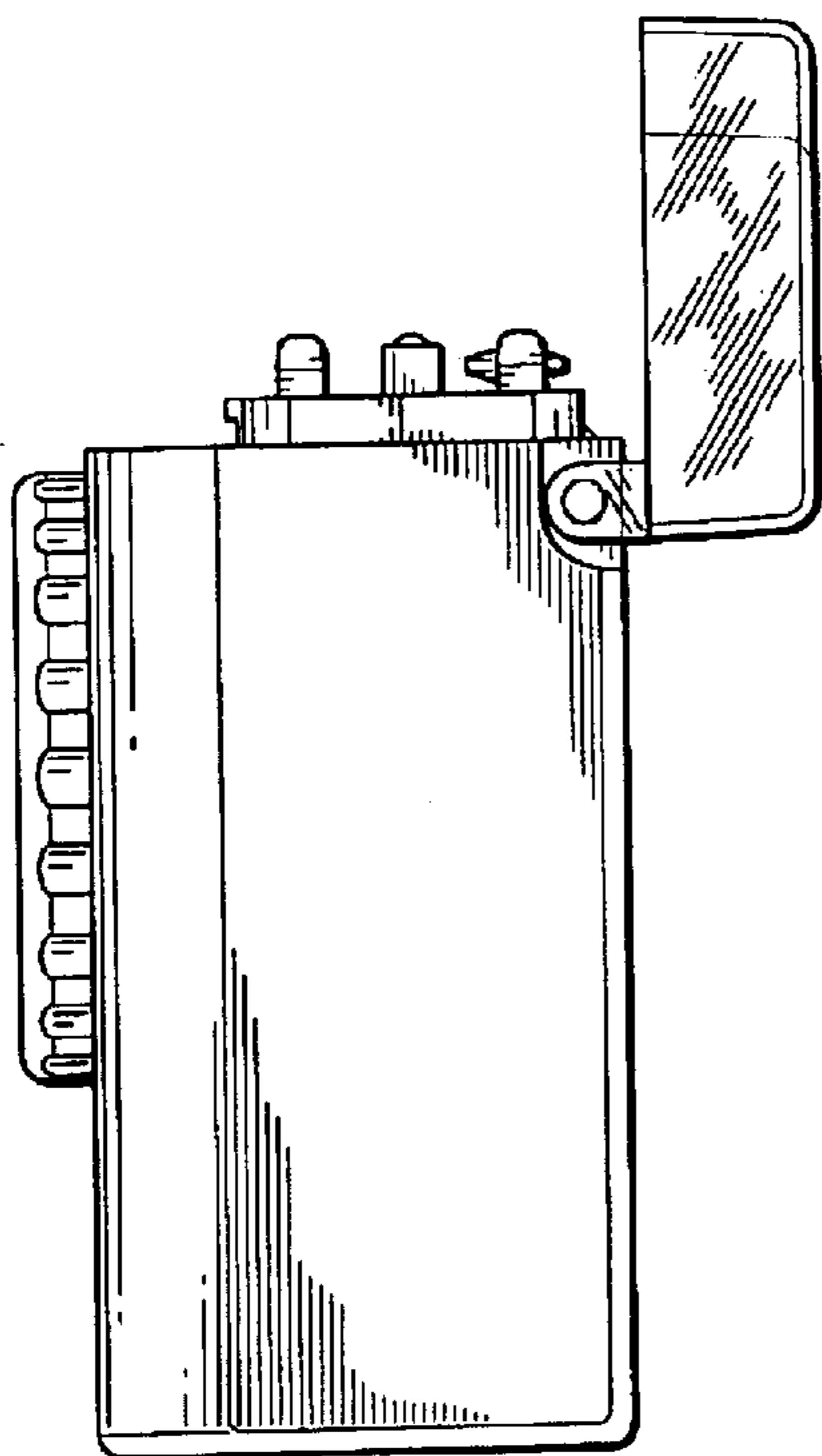


Fig. 3

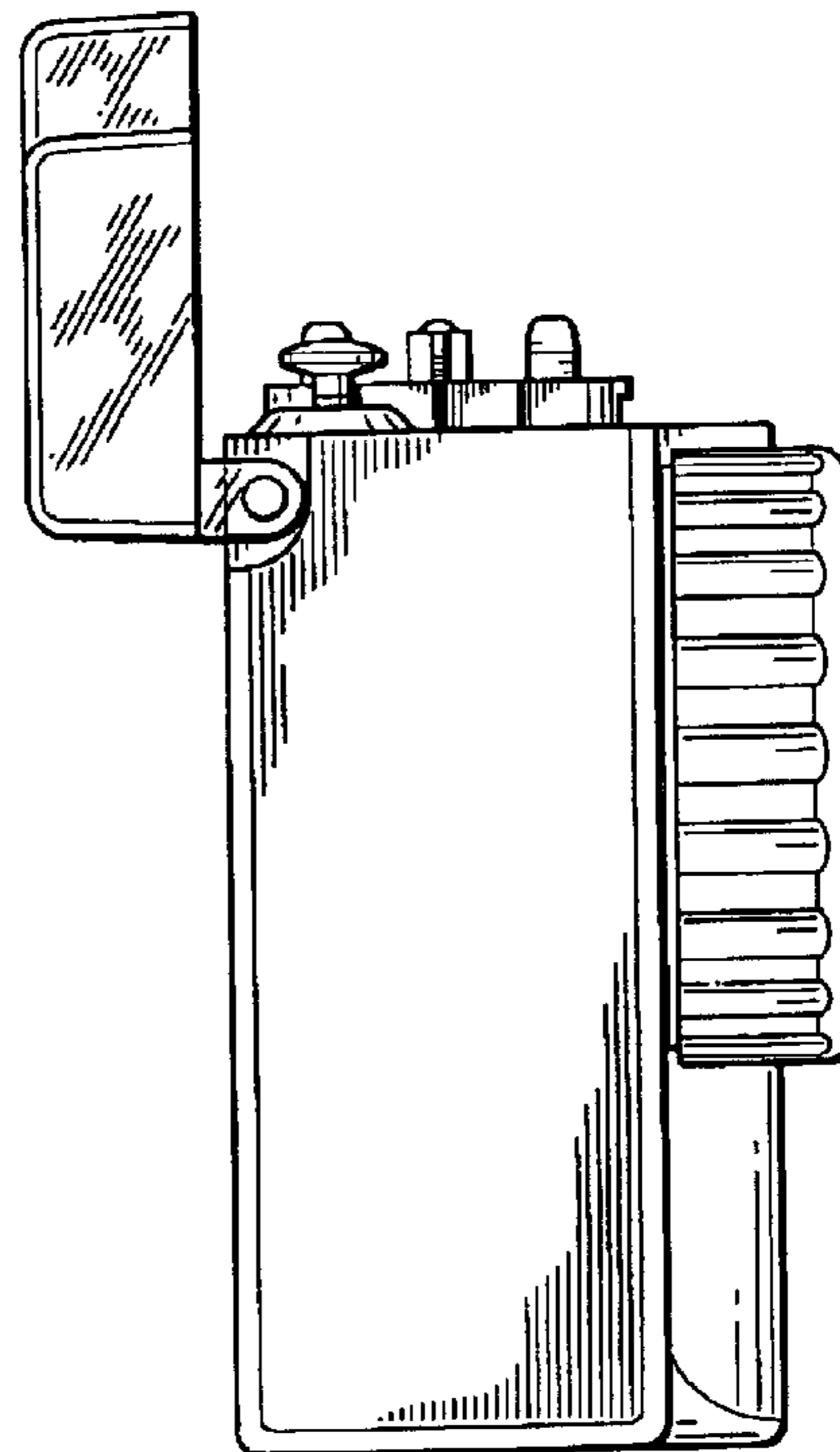


Fig. 4

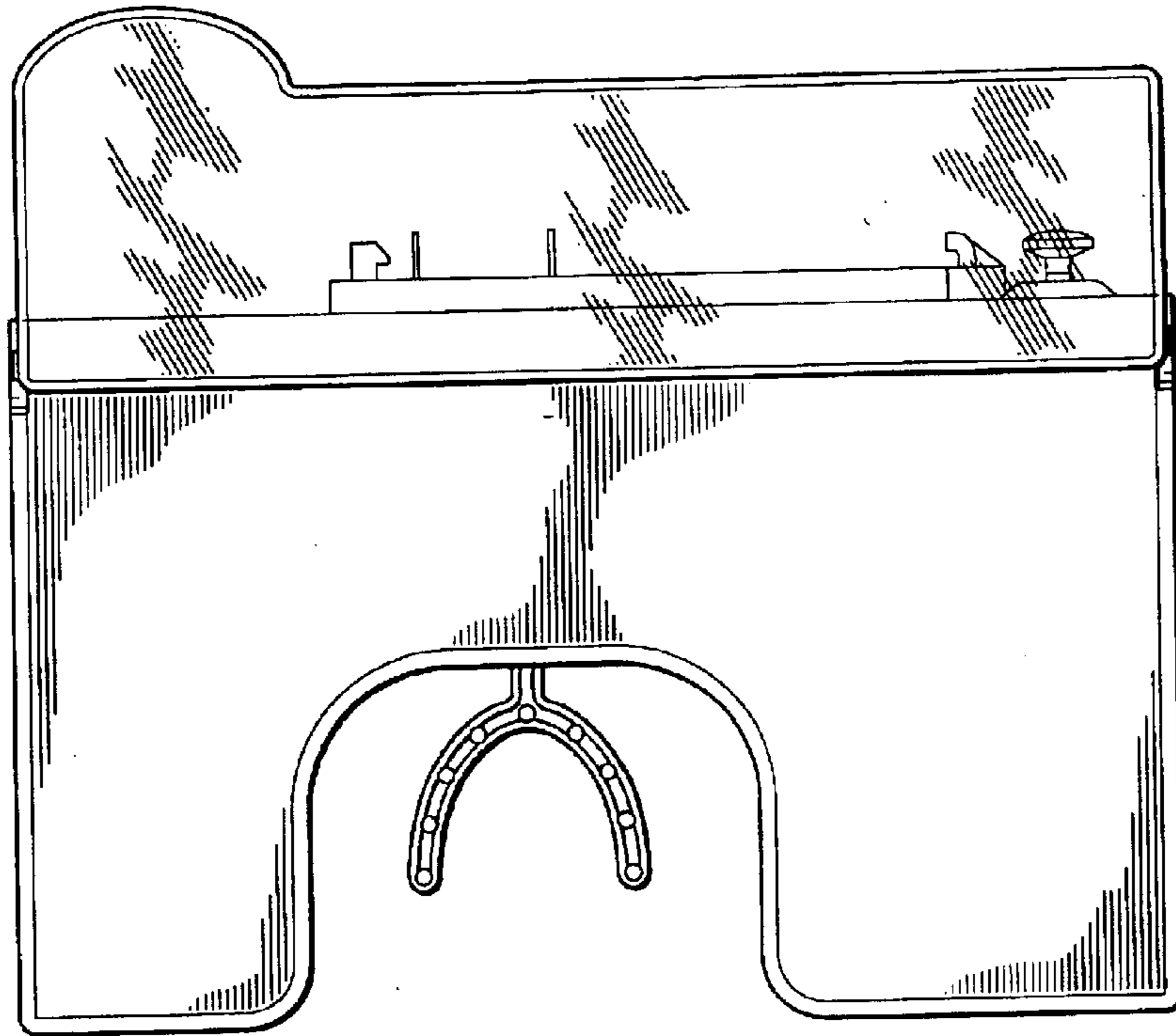


Fig. 5

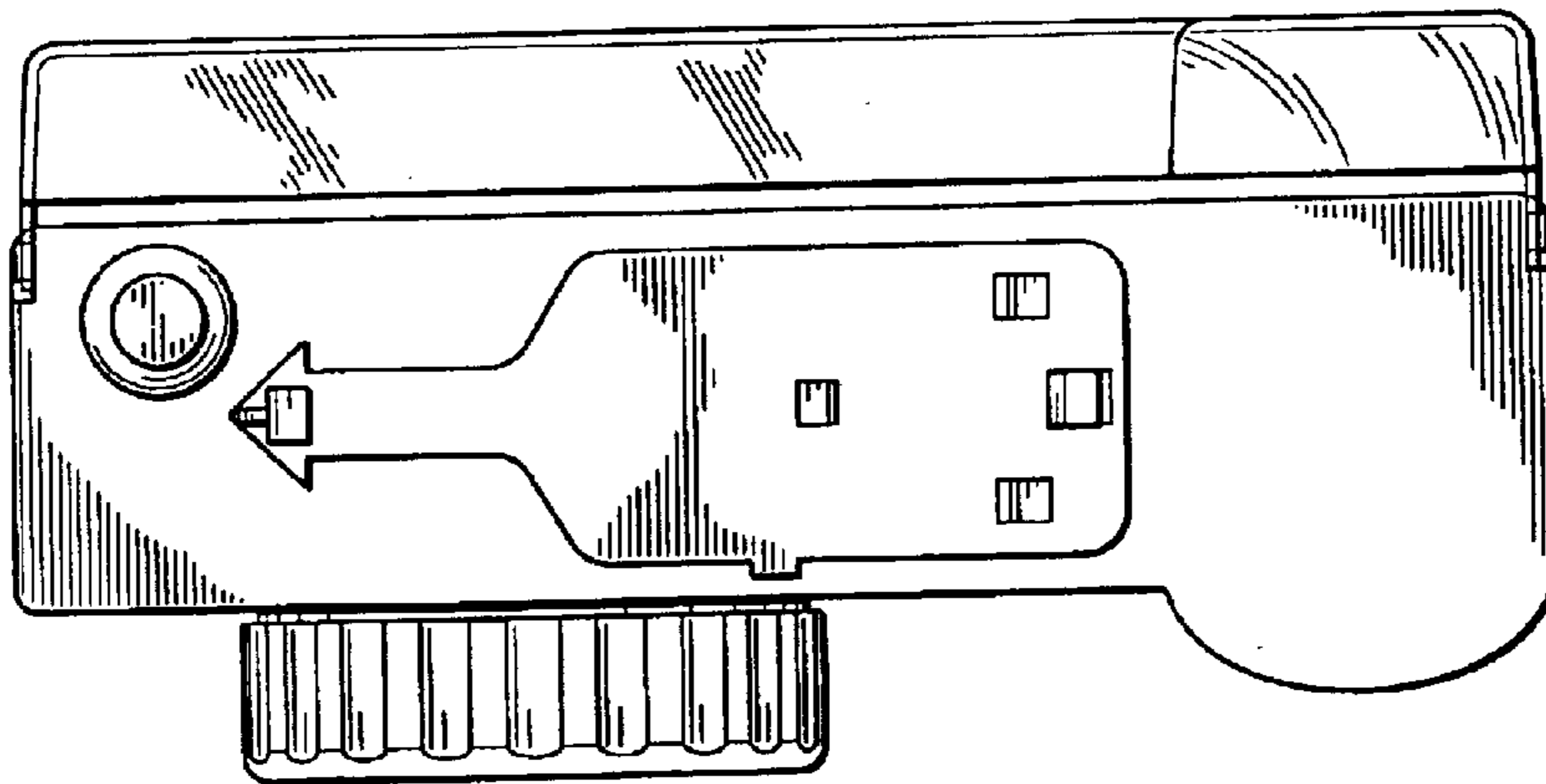


Fig. 6

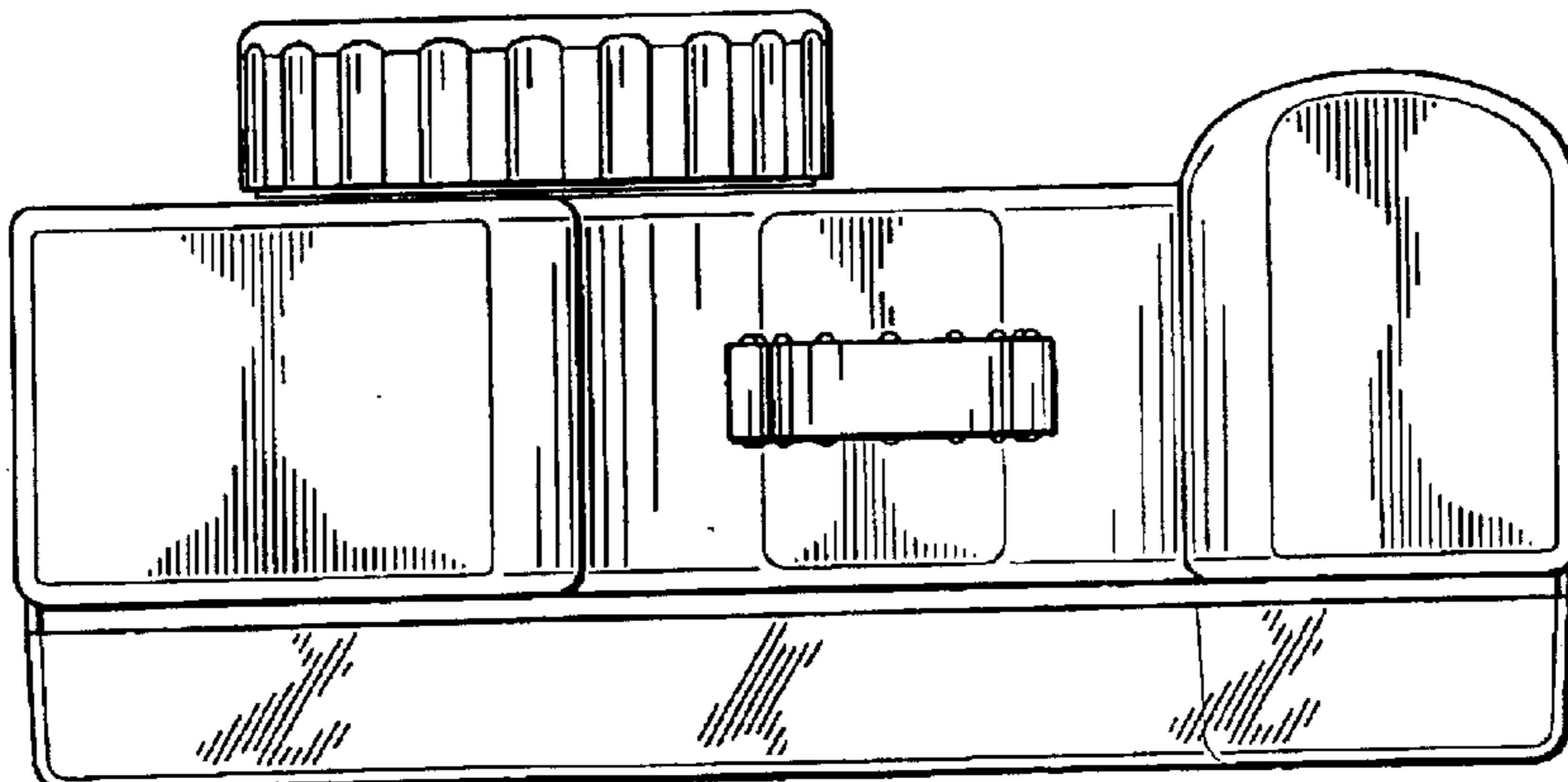


Fig. 7

