

US00D492369S1

(12) **United States Design Patent**
Hradisky

(10) **Patent No.:** **US D492,369 S**
(45) **Date of Patent:** **** Jun. 29, 2004**

(54) **TOY KITCHEN**
(75) **Inventor:** **John L. Hradisky, Aurora, OH (US)**
(73) **Assignee:** **The Step2 Company, Streetsboro, OH (US)**

5,492,495 A * 2/1996 Ashley 446/110
D391,615 S * 3/1998 Wilgus D21/506
D403,449 S * 12/1998 Searer D25/136
D425,328 S * 5/2000 Welling D23/272
D478,946 S * 8/2003 Franta et al. D21/524

* cited by examiner

(**) **Term:** **14 Years**
(21) **Appl. No.:** **29/173,957**
(22) **Filed:** **Jan. 9, 2003**

Primary Examiner—Raphael Barkai
(74) *Attorney, Agent, or Firm*—Brouse McDowell; Roger D. Emerson; Heather M. Barnes

(51) **LOC (7) Cl.** **21-01**
(52) **U.S. Cl.** **D21/524**
(58) **Field of Search** D21/519, 506,
D21/523–525, 483, 484, 490, 494; D7/332,
337; D23/271, 272, 286; D25/52, 55, 136;
446/479, 478, 481, 482, 485, 85, 102–105,
108–117

(57) **CLAIM**

The ornamental design for a toy kitchen, as shown and described.

DESCRIPTION

FIG. 1 is a front elevational view of a toy kitchen showing a crown molding section, and the broken lines are for illustrative purposes only and form no part of the claimed design;

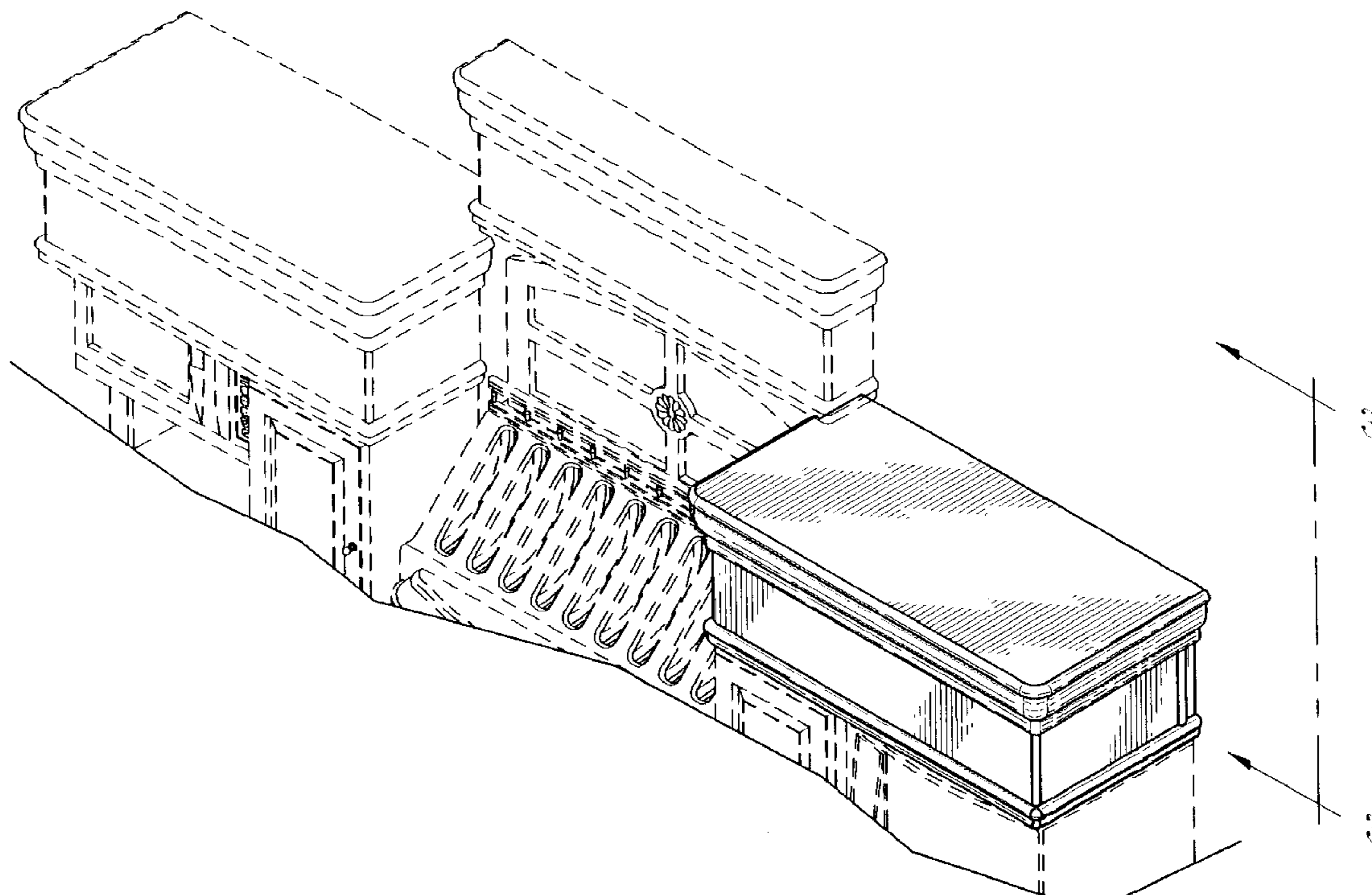
(56) **References Cited**
U.S. PATENT DOCUMENTS

2,127,047 A * 8/1938 Pinney 446/482
3,133,376 A * 5/1964 Orenstein 446/481
D210,821 S * 4/1968 Stone D25/136
D258,162 S * 2/1981 Orenstein et al. D21/524
4,332,101 A * 6/1982 Tomita 446/481
4,333,258 A * 6/1982 McCaslin 446/481
D308,234 S * 5/1990 Fish, Jr. D21/490
D345,592 S * 3/1994 Houry et al. D21/524

FIG. 2 is a cut-away side perspective view of a toy kitchen showing a crown molding section, and the broken lines are for illustrative purposes only and form no part of the claimed design; and,

FIG. 3 is a side view of a toy kitchen showing a crown molding section taken along line 3—3 of FIG. 2, and the broken lines are for illustrative purposes only and form no part of the claimed design.

1 Claim, 3 Drawing Sheets



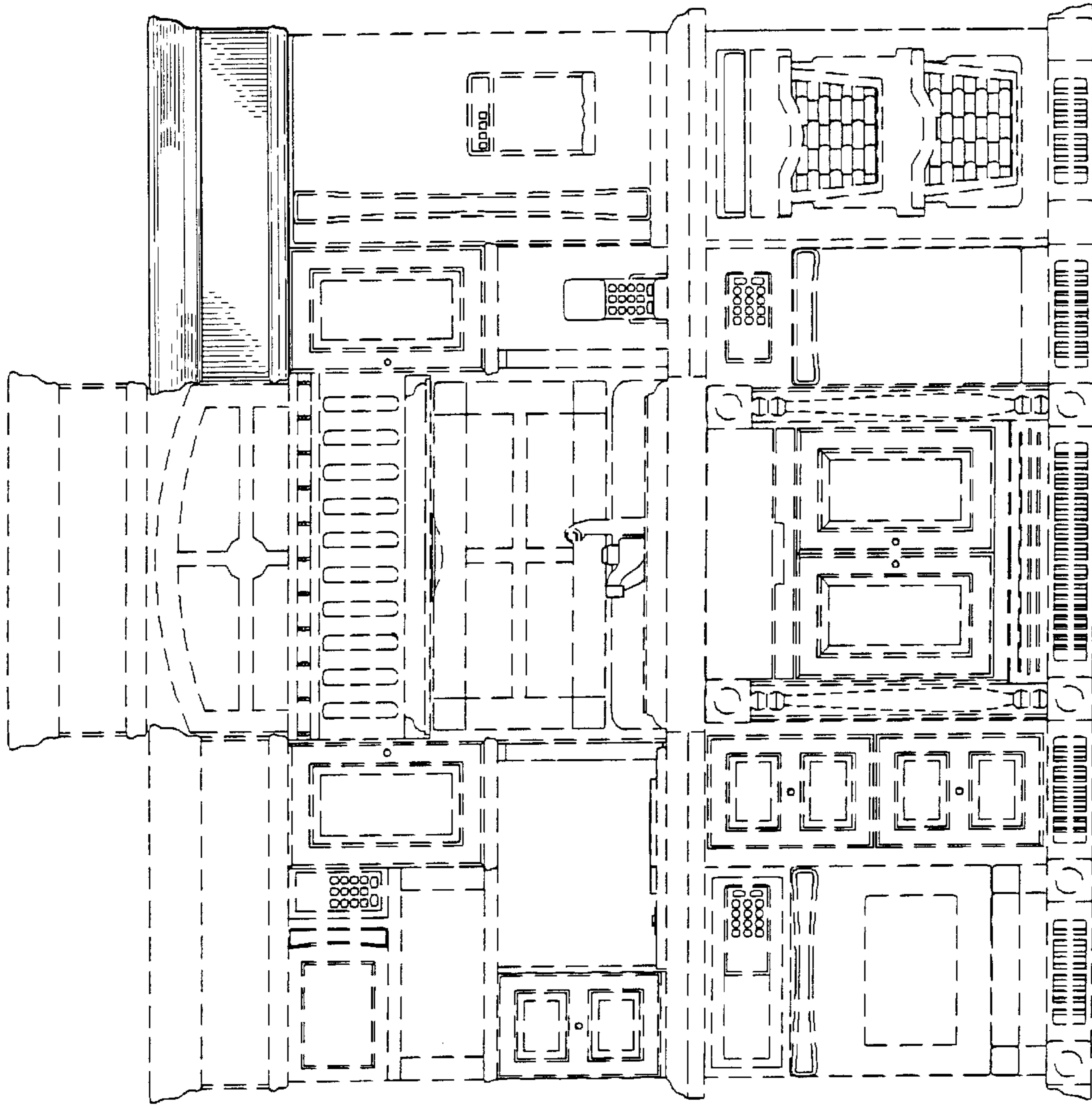


FIG-1

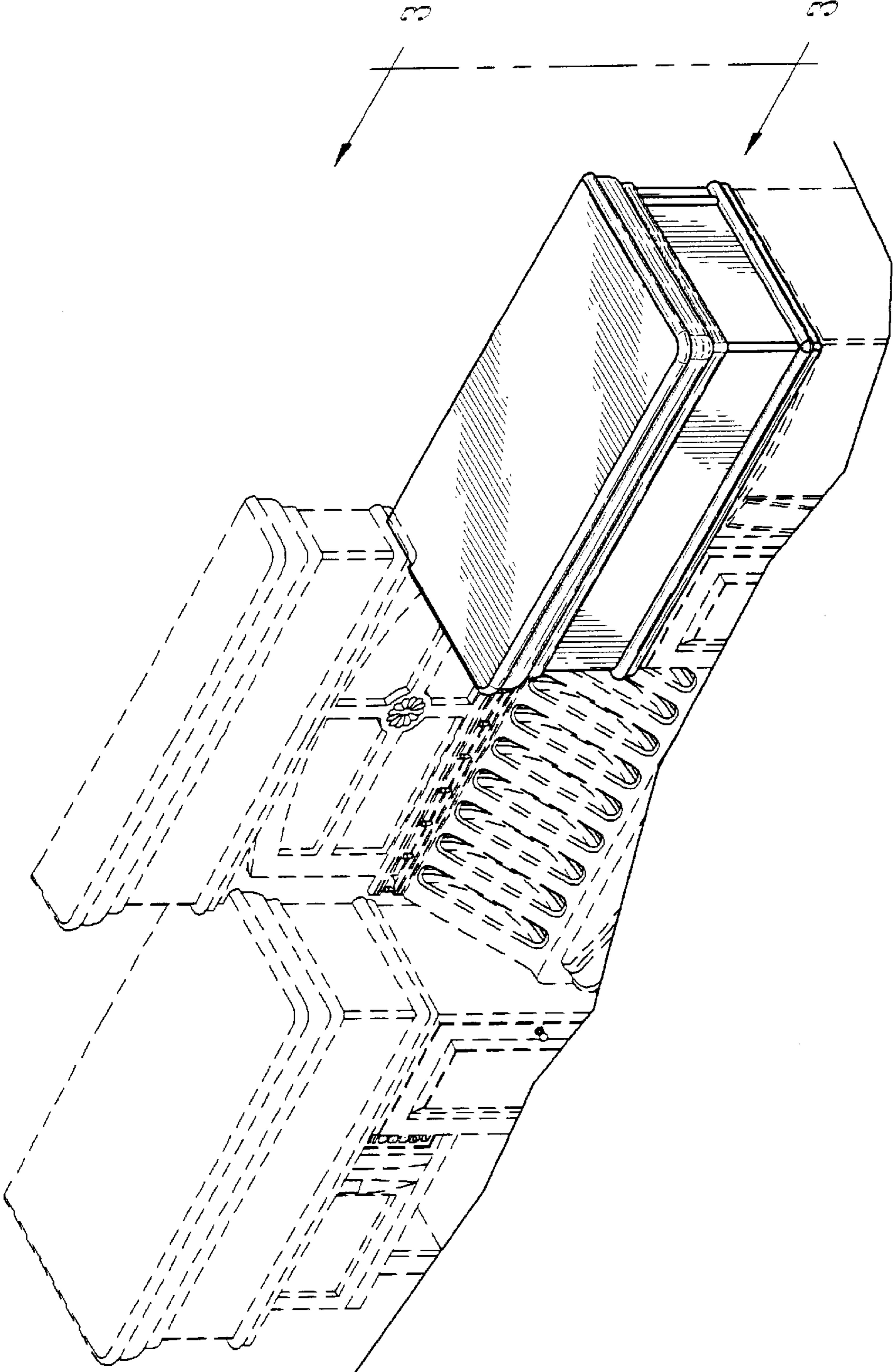


FIG-2

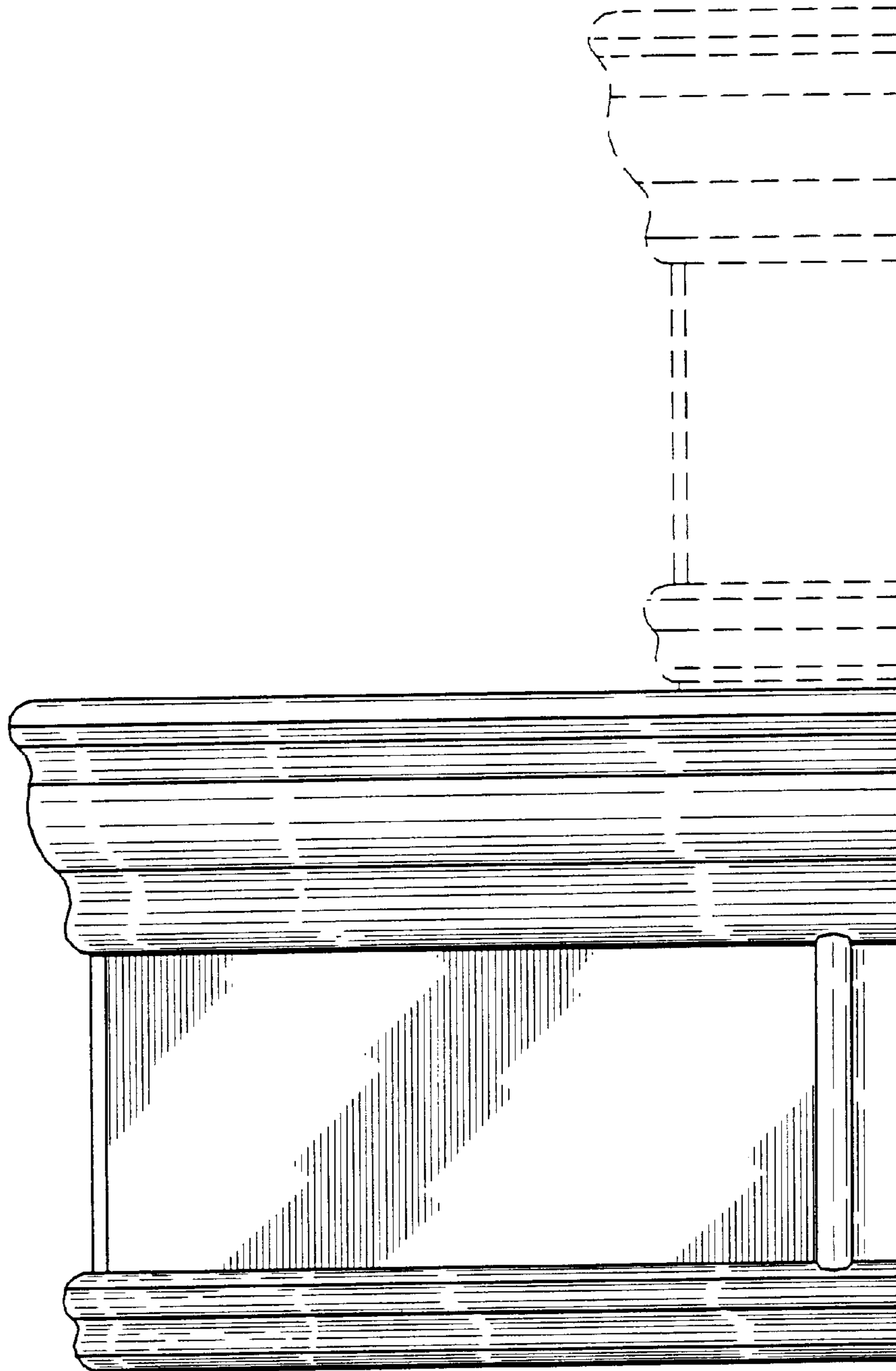


FIG-3

UNITED STATES PATENT AND TRADEMARK OFFICE
CERTIFICATE OF CORRECTION

PATENT NO. : Des. 492,369 S
APPLICATION NO. : 29/173957
DATED : June 29, 2004
INVENTOR(S) : John L. Hradisky

Page 1 of 4

It is certified that error appears in the above-identified patent and that said Letters Patent is hereby corrected as shown below:

The title page should be deleted to appear as per attached title page.

The sheet of drawings consisting of figures 1 and 2 should be deleted to appear as per attached figures 1 and 2.

Signed and Sealed this

Eighth Day of August, 2006

A handwritten signature in black ink on a light gray dotted background. The signature reads "Jon W. Dudas" in a cursive style.

JON W. DUDAS

Director of the United States Patent and Trademark Office

(12) **United States Design Patent** (10) **Patent No.:** **US D492,369 S**
Hradisky (45) **Date of Patent:** **** Jun. 29, 2004**

(54) **TOY KITCHEN**

(75) **Inventor:** **John L. Hradisky, Aurora, OH (US)**

(73) **Assignee:** **The Step2 Company, Streetsboro, OH (US)**

(**) **Term:** **14 Years**

(21) **Appl. No.:** **29/173,957**

(22) **Filed:** **Jan. 9, 2003**

(51) **LOC (7) Cl.** **21-01**

(52) **U.S. Cl.** **D21/524**

(58) **Field of Search** D21/519, 506,
D21/523-525, 483, 484, 490, 494; D7/332,
337; D23/271, 272, 286; D25/52, 55, 136;
446/479, 478, 481, 482, 485, 85, 102-105,
108-117

(56) **References Cited**

U.S. PATENT DOCUMENTS

2,127,047 A	*	8/1938	Pinney	446/482
3,133,376 A	*	5/1964	Orenstein	446/481
D210,821 S	*	4/1968	Stone	D25/136
D258,162 S	*	2/1981	Orenstein et al.	D21/524
4,332,101 A	*	6/1982	Tomita	446/481
4,333,258 A	*	6/1982	McCaslin	446/481
D308,234 S	*	5/1990	Fish, Jr.	D21/490
D345,592 S	*	3/1994	Houry et al.	D21/524

5,492,495 A	*	2/1996	Ashley	446/110
D391,615 S	*	3/1998	Wilgus	D21/506
D403,449 S	*	12/1998	Searer	D25/136
D425,328 S	*	5/2000	Welling	D23/272
D478,946 S	*	8/2003	Franta et al.	D21/524

* cited by examiner

Primary Examiner—Raphael Barkai

(74) *Attorney, Agent, or Firm*—Brouse McDowell; Roger D. Emerson; Heather M. Barnes

(57) **CLAIM**

The ornamental design for a toy kitchen, as shown and described.

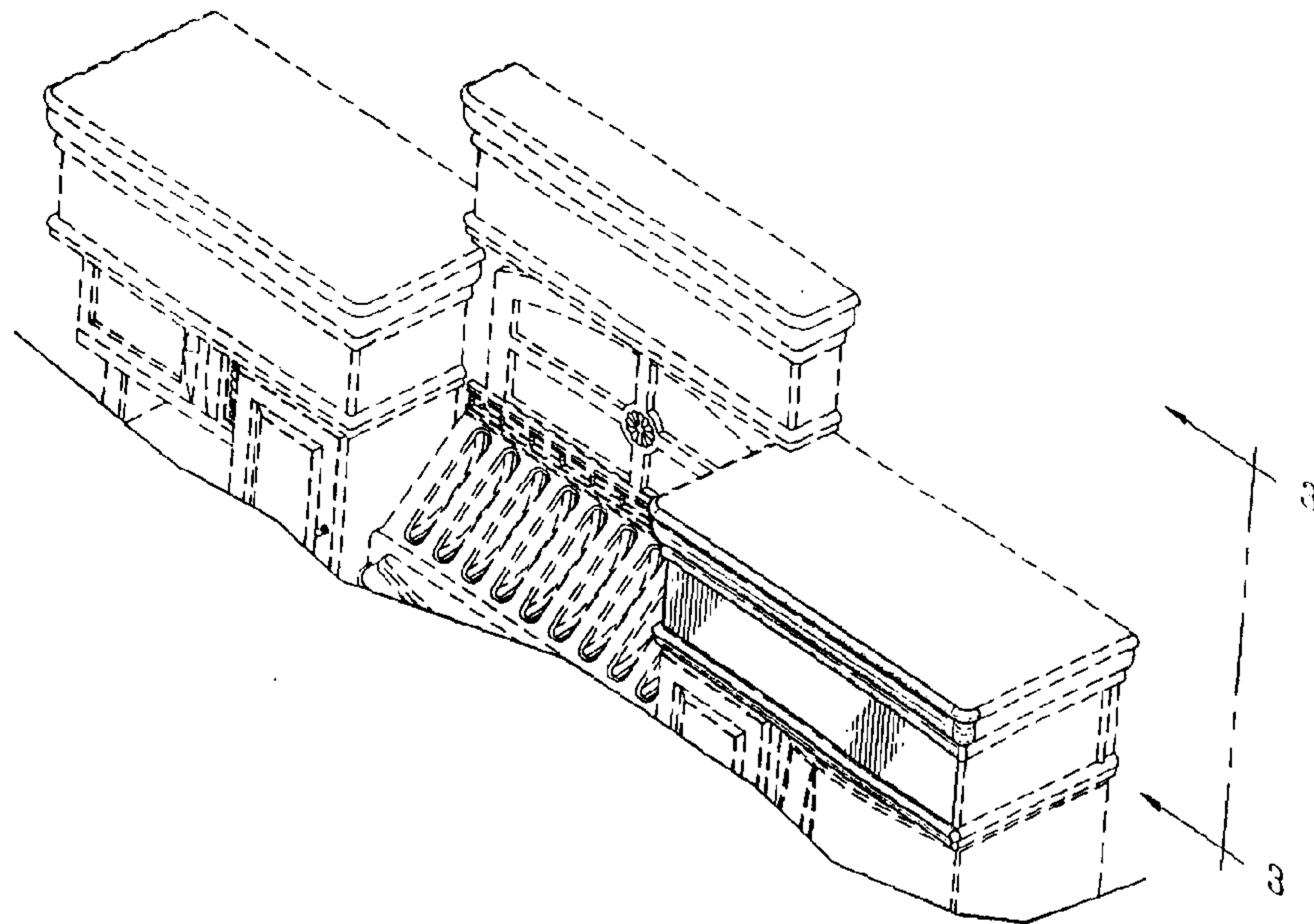
DESCRIPTION

FIG. 1 is a front elevational view of a toy kitchen showing a crown molding section, and the broken lines are for illustrative purposes only and form no part of the claimed design;

FIG. 2 is a cut-away side perspective view of a toy kitchen showing a crown molding section, and the broken lines are for illustrative purposes only and form no part of the claimed design; and,

FIG. 3 is a side view of a toy kitchen showing a crown molding section taken along line 3—3 of FIG. 2, and the broken lines are for illustrative purposes only and form no part of the claimed design.

1 Claim, 3 Drawing Sheets



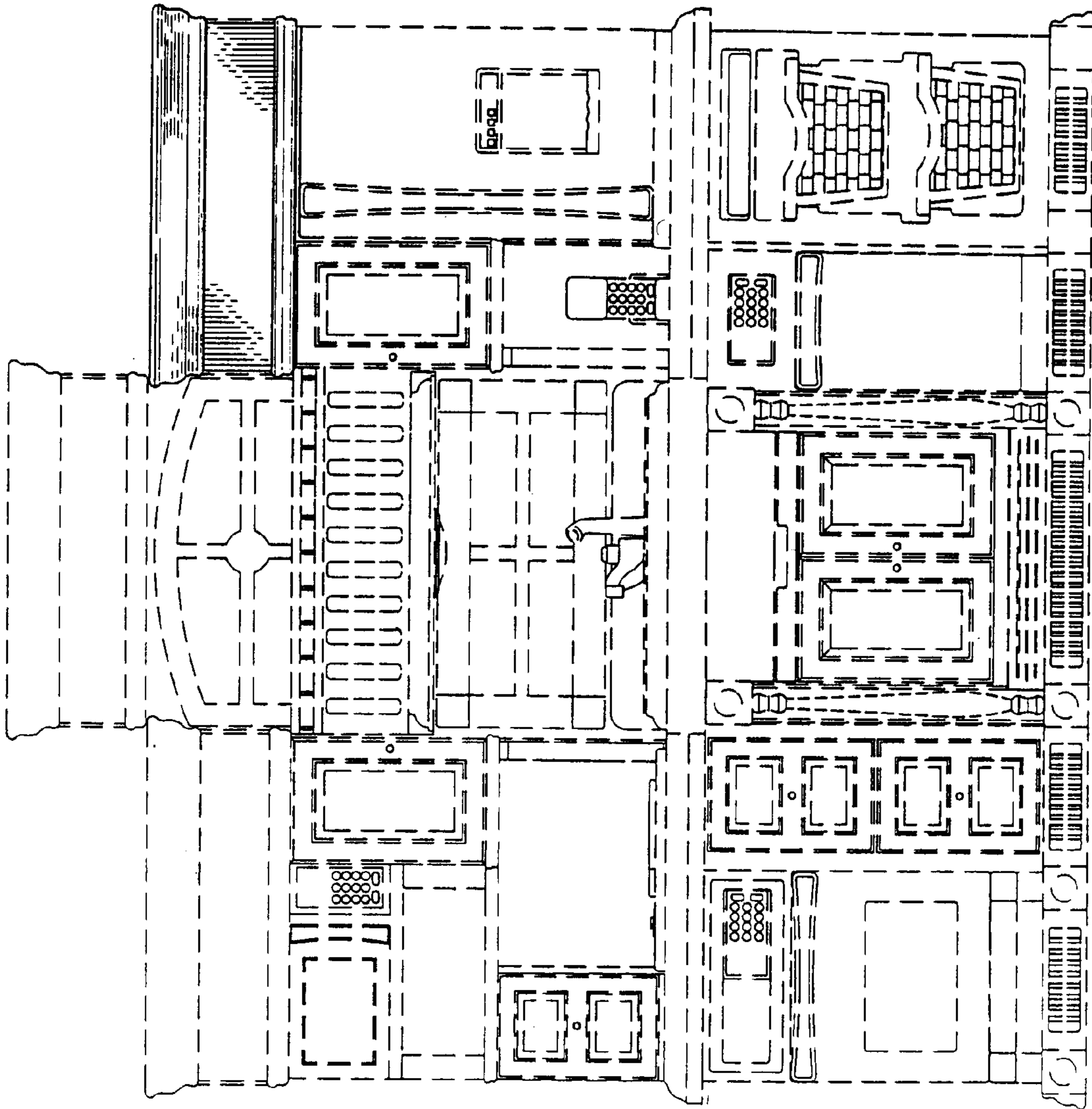


FIG-1

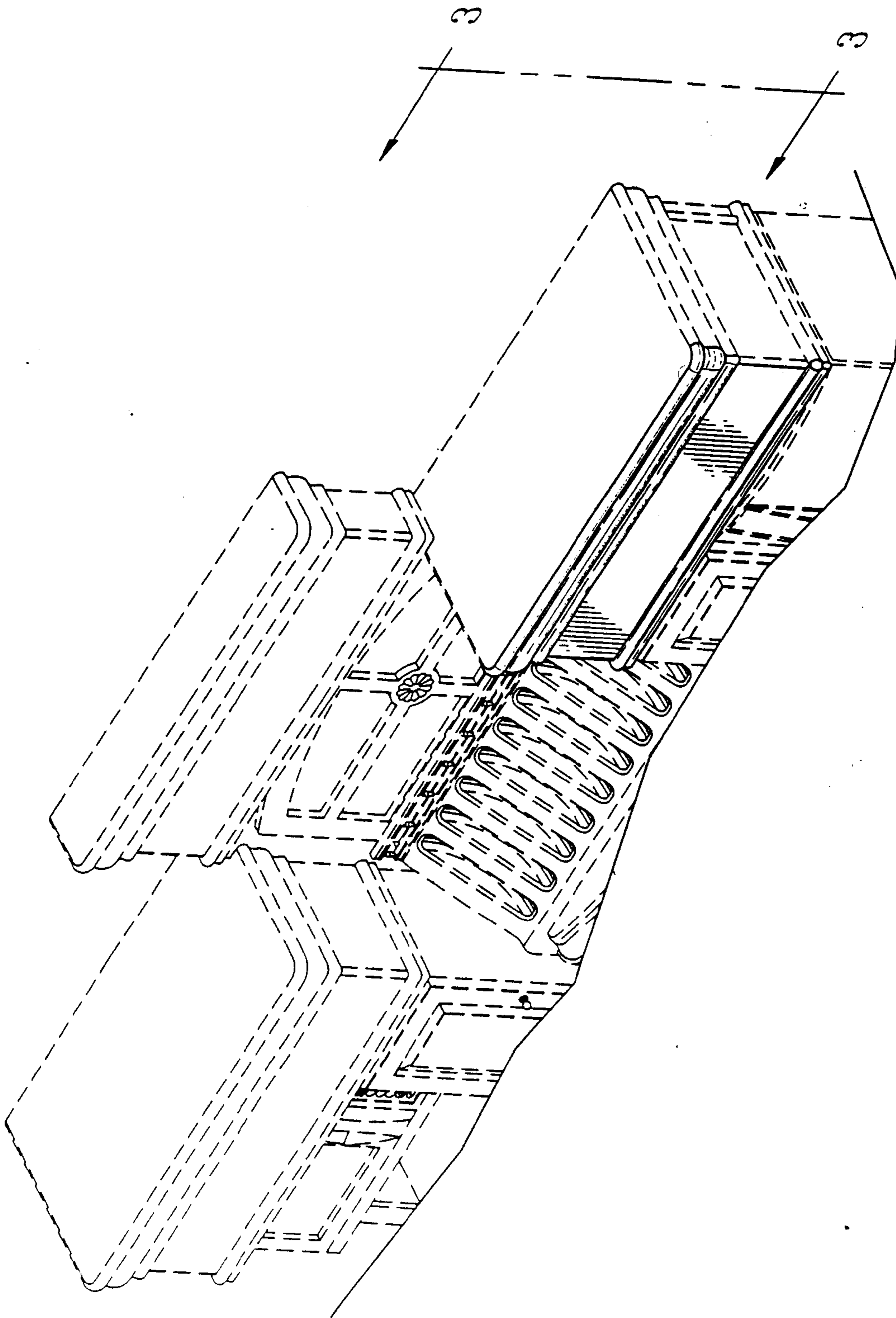


FIG-2

UNITED STATES PATENT AND TRADEMARK OFFICE
CERTIFICATE OF CORRECTION

PATENT NO. : Des. 492,369 S
APPLICATION NO. : 29/173957
DATED : June 29, 2004
INVENTOR(S) : John L. Hradisky

Page 1 of 2

It is certified that error appears in the above-identified patent and that said Letters Patent is hereby corrected as shown below:

The sheet of drawing consisting of figure 3 should be deleted to appear as per attached figure 3.

Signed and Sealed this

Seventeenth Day of October, 2006

A handwritten signature in black ink on a light gray dotted background. The signature reads "Jon W. Dudas" in a cursive style.

JON W. DUDAS

Director of the United States Patent and Trademark Office

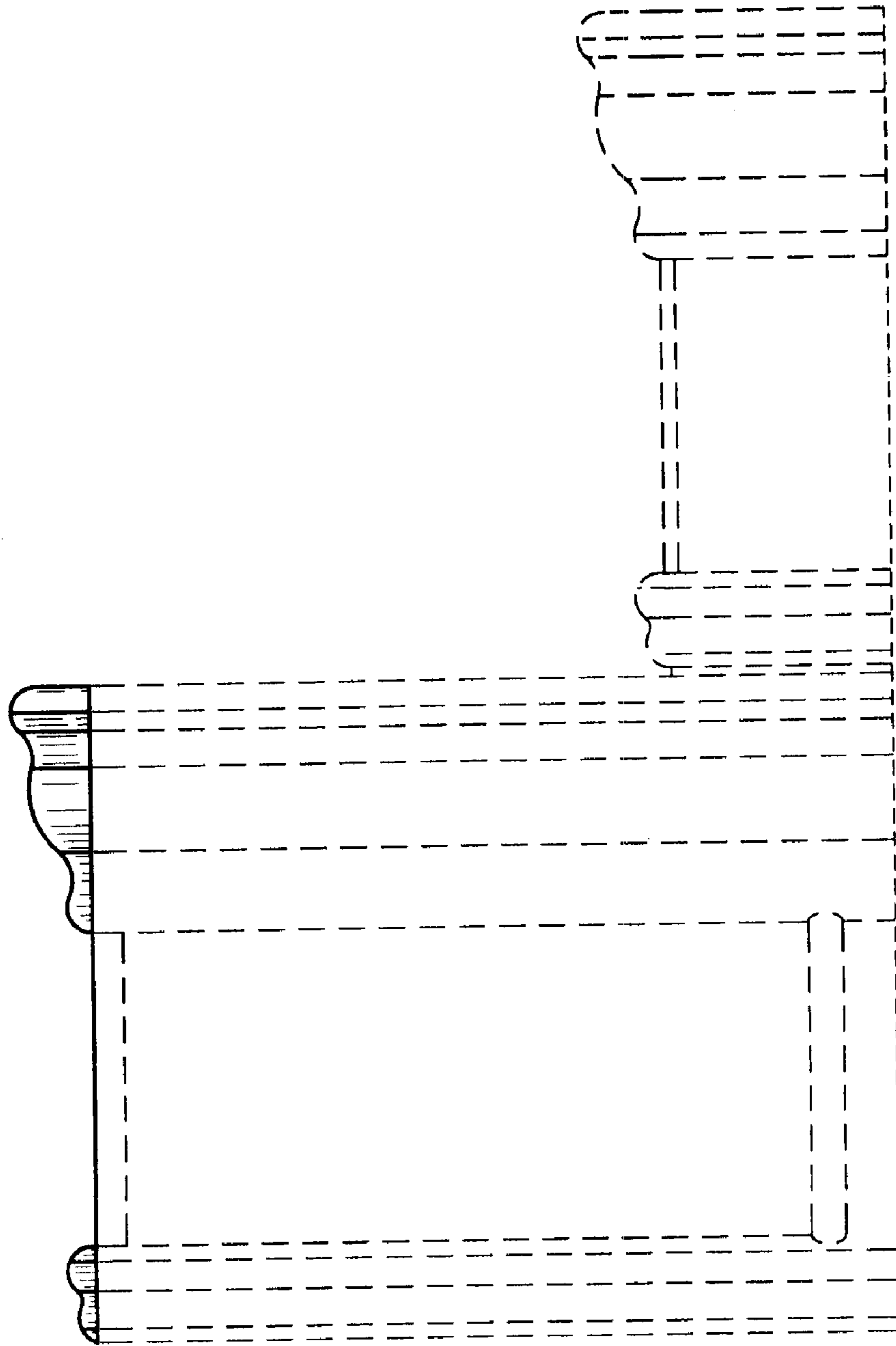


FIG-3