

US00D492367S1

(12) **United States Design Patent**  
**Dennis**

(10) **Patent No.:** **US D492,367 S**  
(45) **Date of Patent:** **\*\* \*Jun. 29, 2004**

(54) **ELECTRIC SCOOTER**  
(75) Inventor: **Warren E. Dennis**, Santa Barbara, CA  
(US)  
(73) Assignee: **The Electric Transportation  
Company, LLC**, Santa Barbara, CA  
(US)  
(\* ) Notice: This patent is subject to a terminal dis-  
claimer.  
(\*\* ) Term: **14 Years**

(21) Appl. No.: **29/169,522**

(22) Filed: **Oct. 23, 2002**

(51) **LOC (7) Cl.** ..... **21-01**

(52) **U.S. Cl.** ..... **D21/423**

(58) **Field of Search** ..... D21/419, 421,  
D21/423, 424, 426, 435, 533, 760, 765,  
771; D12/107, 110-112; 280/87.01, 87.04,  
87.041, 87.042, 87.05, 278, 287, 7.12;  
180/180, 181, 219, 220, 206

(56) **References Cited**

**U.S. PATENT DOCUMENTS**

1,591,581 A \* 7/1926 Trejo ..... 280/7.12  
D104,679 S \* 5/1937 Eck ..... D21/423

D292,221 S \* 10/1987 Mueller ..... D21/423  
5,848,660 A \* 12/1998 McGreen ..... 180/206  
5,927,733 A \* 7/1999 Banda ..... 280/87.041  
D449,860 S \* 10/2001 Lin ..... D21/423  
D453,804 S \* 2/2002 Robinson ..... D21/423  
D454,377 S \* 3/2002 Hsu et al. .... D21/423

\* cited by examiner

*Primary Examiner*—Raphael Barkai

(74) *Attorney, Agent, or Firm*—Milton M. Field

(57) **CLAIM**

The ornamental design for an electric scooter, as shown and described.

**DESCRIPTION**

FIG. 1 is a perspective view of an electric scooter showing my new design;

FIG. 2 is a left side elevation view thereof;

FIG. 3 is a right side elevation view thereof;

FIG. 4 is a front elevation view thereof;

FIG. 5 is a rear elevation view thereof; and,

FIG. 6 is a top plan view thereof.

Since no significant features of the design are seen in a bottom view thereof, no such view is included.

The broken lines shown in FIGS. 1-6 are for illustrative purposes only and form no part of the claimed design.

**1 Claim, 5 Drawing Sheets**

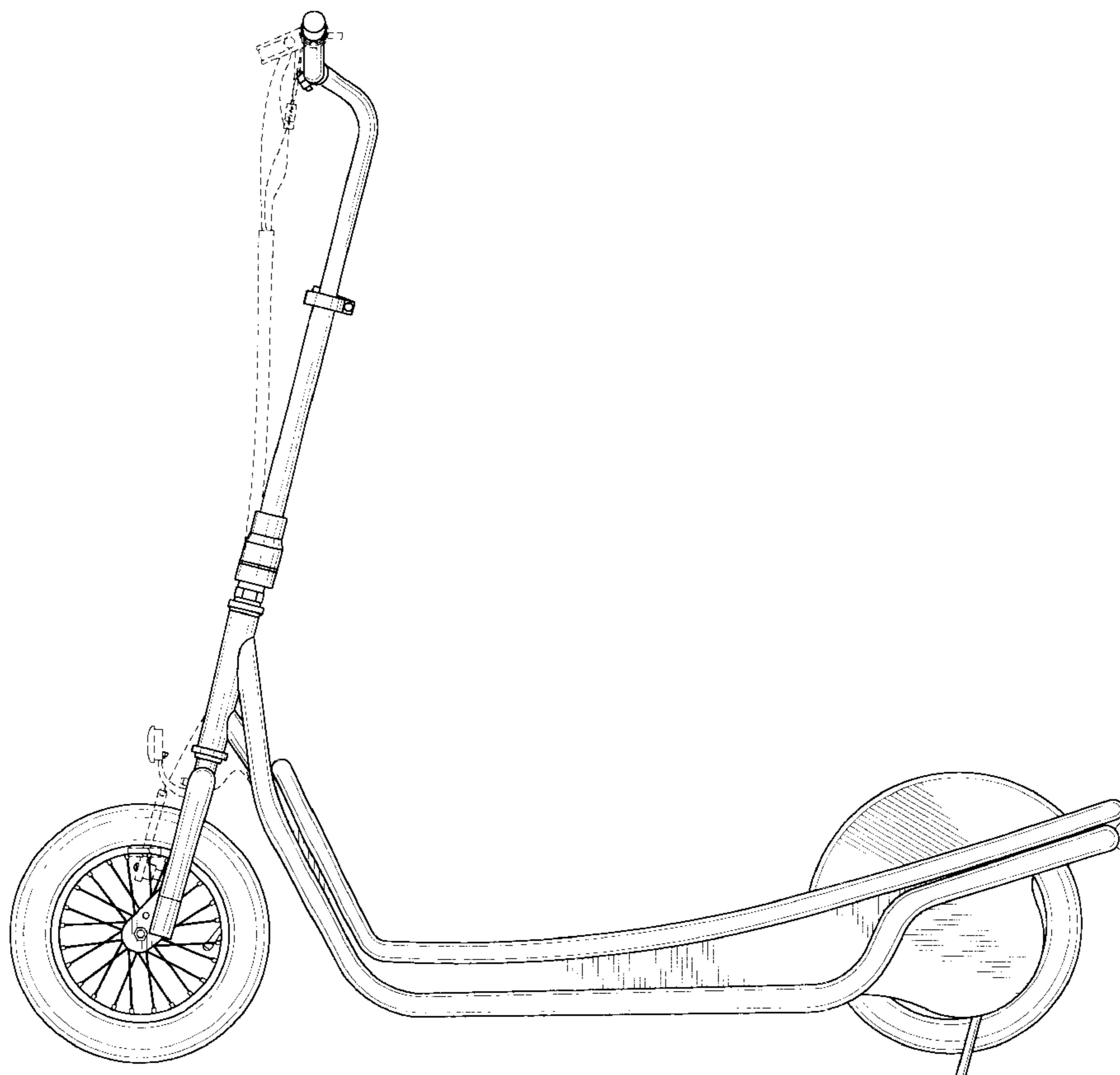


FIG. 1

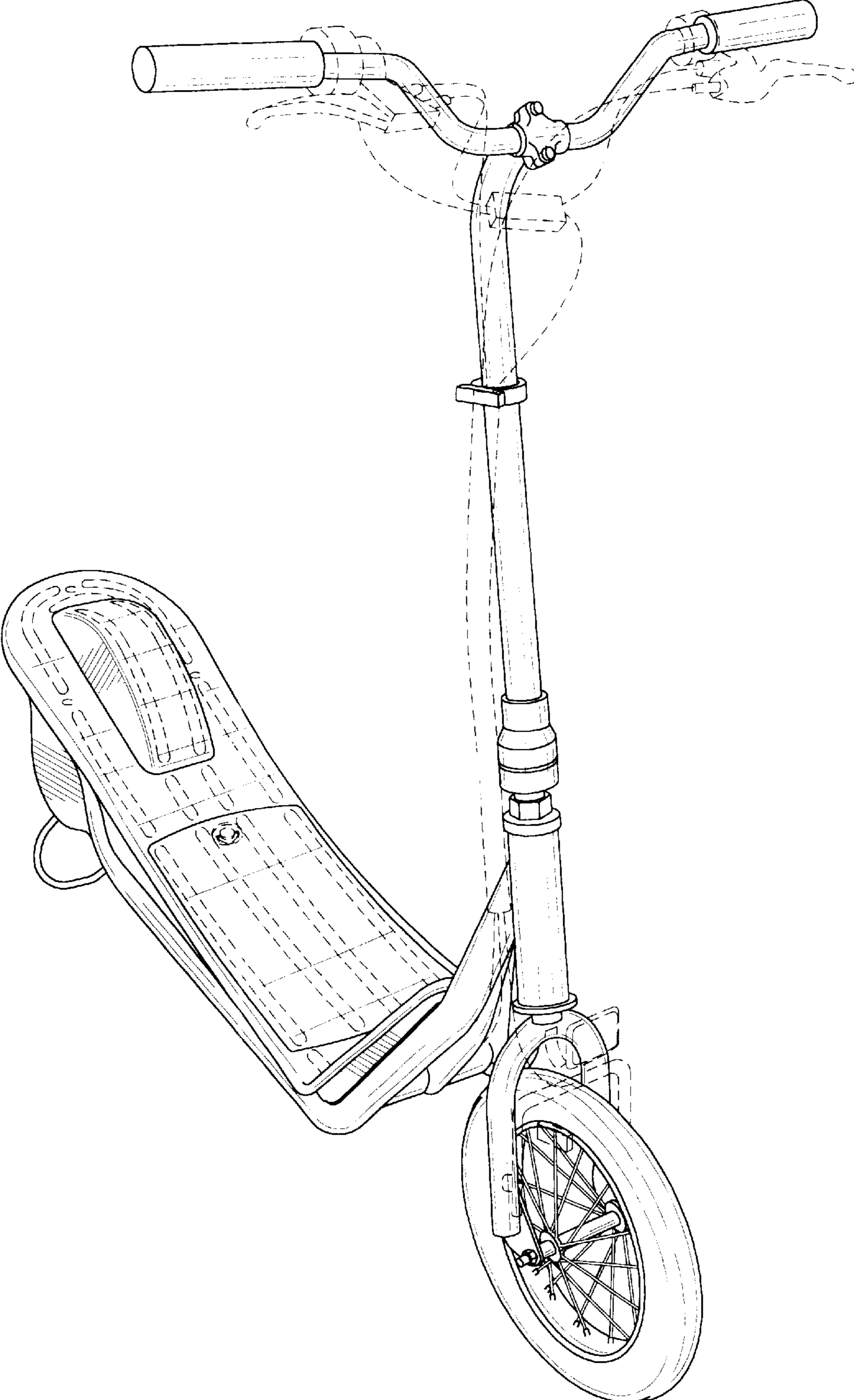
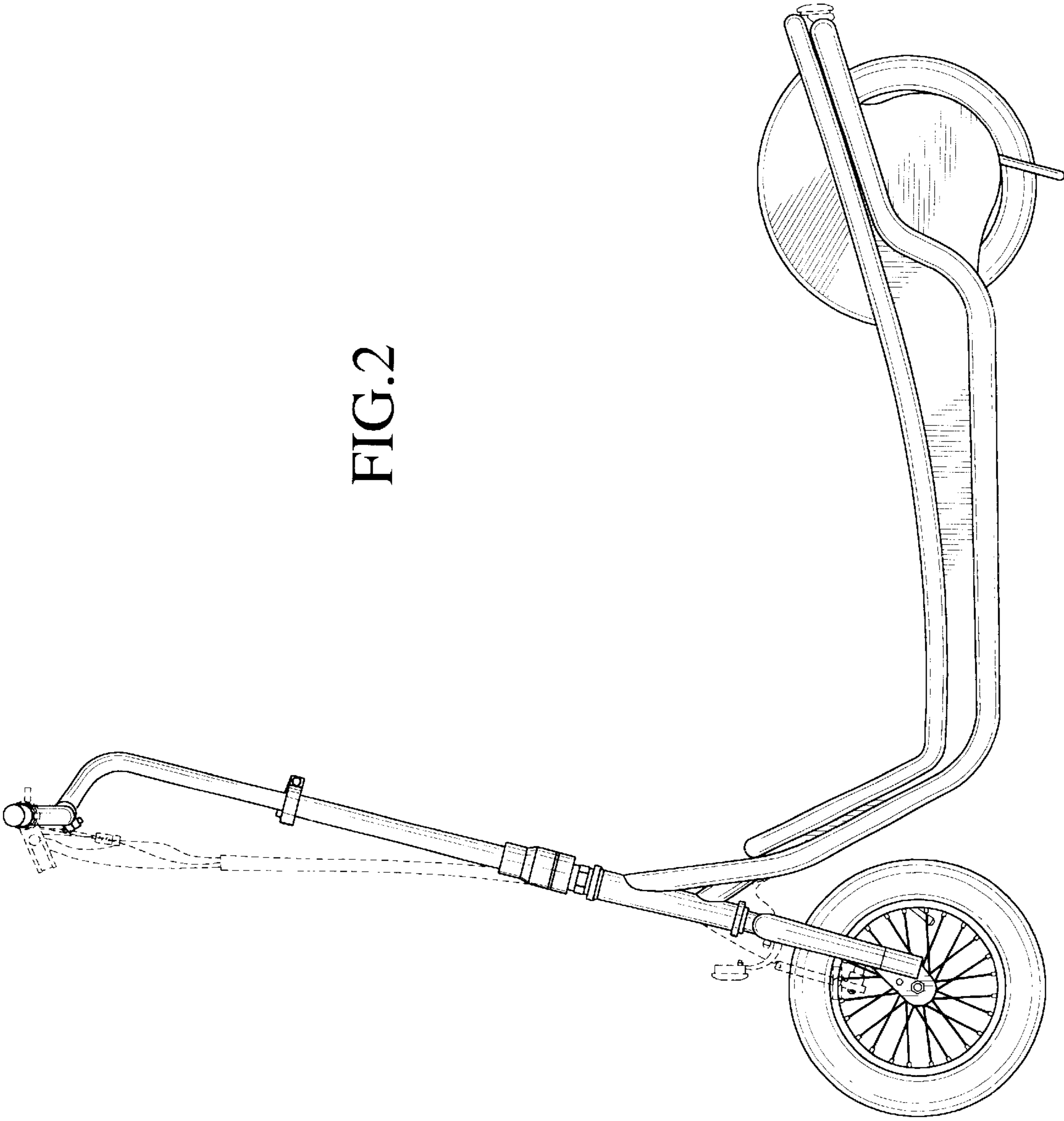


FIG.2



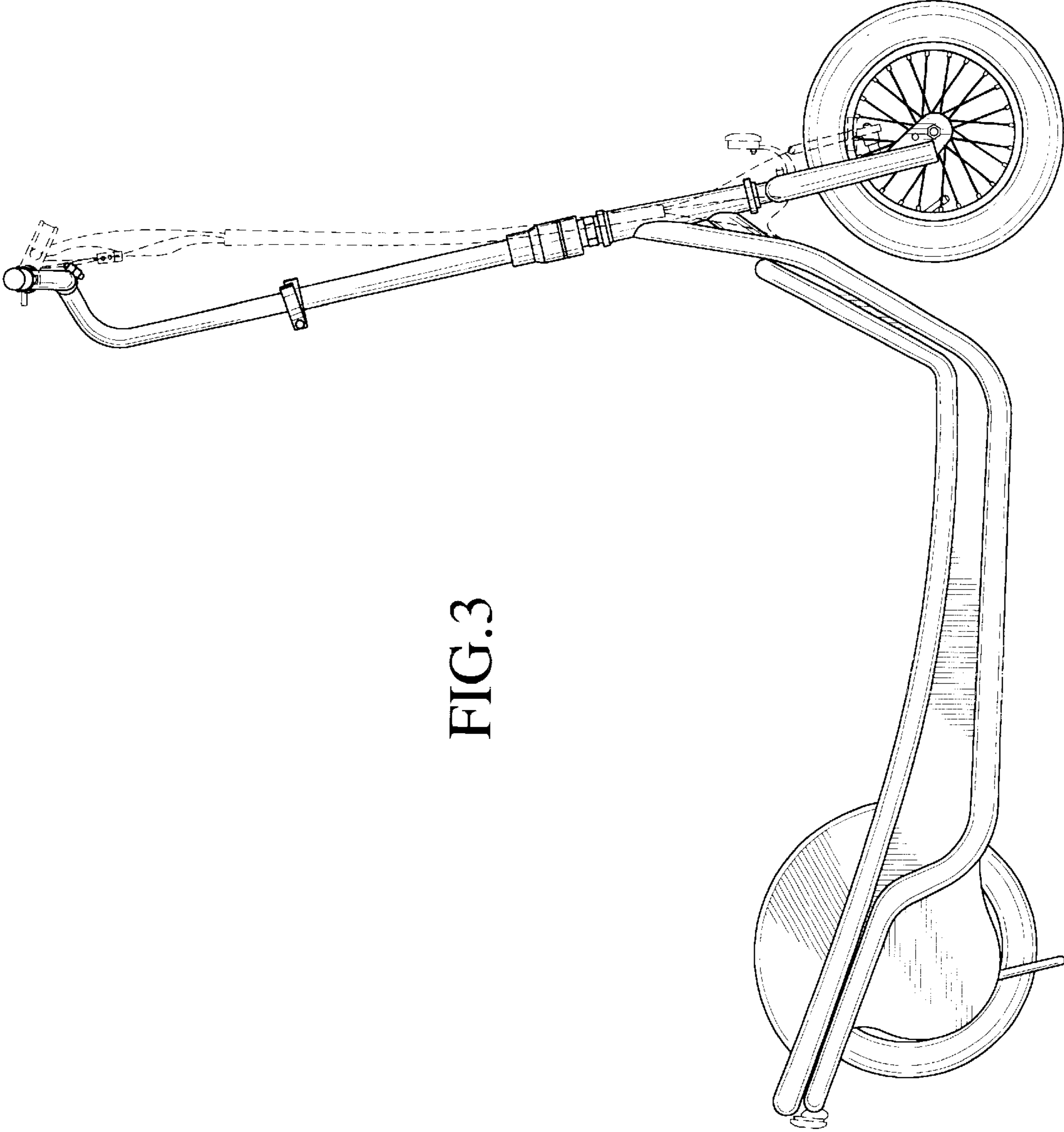


FIG.3

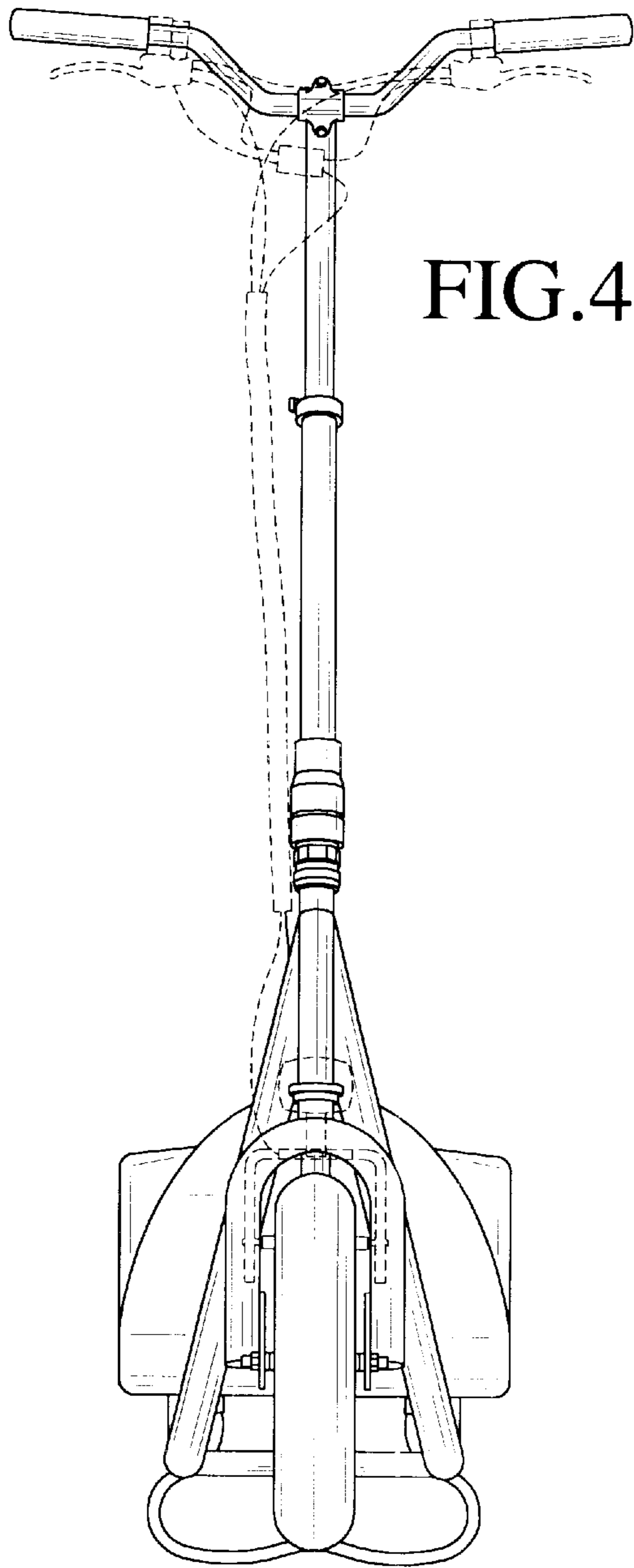


FIG. 4

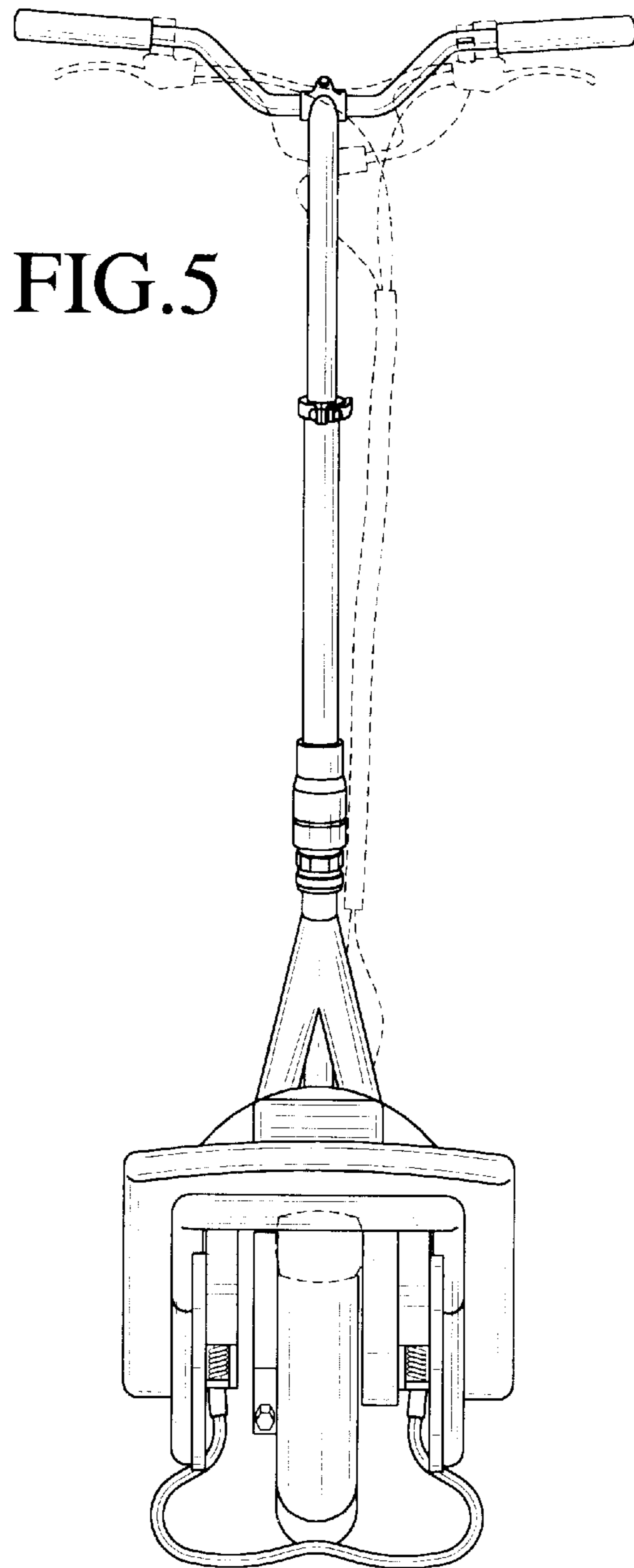


FIG. 5

FIG.6

