

US00D492363S1

(12) **United States Design Patent**  
**Seelig et al.**

(10) **Patent No.:** **US D492,363 S**  
(45) **Date of Patent:** **\*\* Jun. 29, 2004**

(54) **GAMING DEVICE BASE**  
(75) **Inventors:** **Mac Seelig**, Absecon, NJ (US); **Jerald C. Seelig**, Absecon, NJ (US); **Eric H. Berju**, Cherry Hill, NJ (US); **Edward Leder**, Rushland, PA (US)  
(73) **Assignees:** **Atlantic City Coin & Slot Service Company, Inc.**, Pleasantville, NJ (US); **TC Millwork, Inc.**, Bensalem, PA (US)

(\*\*) **Term:** **14 Years**

(21) **Appl. No.:** **29/167,400**

(22) **Filed:** **Sep. 13, 2002**

(51) **LOC (7) Cl.** ..... **21-03**

(52) **U.S. Cl.** ..... **D21/370; D21/385**

(58) **Field of Search** ..... **D21/325, 329, D21/369-371, 374, 385; 273/138.1; 463/16-17, 20, 46-47**

(56) **References Cited**

**U.S. PATENT DOCUMENTS**

4,518,664 A \* 5/1985 Whittlesey et al. .... 429/38  
4,614,342 A 9/1986 Takashima  
4,808,234 A 2/1989 McKay et al.  
5,044,483 A 9/1991 Stefan  
5,102,129 A \* 4/1992 Roberts ..... 473/414  
5,276,524 A 1/1994 Inoue et al.  
5,342,049 A 8/1994 Wichinsky et al.  
D354,637 S 1/1995 Jarrett  
5,813,914 A 9/1998 McKay et al.  
D399,889 S 10/1998 Ward  
5,826,882 A 10/1998 Ward  
5,876,285 A 3/1999 Salour et al.  
D409,857 S 5/1999 Ward  
D413,635 S 9/1999 Taylor  
6,042,115 A 3/2000 Ward

6,116,597 A 9/2000 Rowe et al.  
6,117,010 A 9/2000 Canterbury et al.  
6,146,274 A 11/2000 Salour et al.  
6,190,254 B1 \* 2/2001 Bennett ..... 463/20  
6,254,206 B1 7/2001 Petrick et al.  
D451,149 S \* 11/2001 Seelig et al. .... D21/370  
6,334,612 B1 1/2002 Wurz et al.  
6,409,589 B1 6/2002 Laconico, Jr. et al.  
6,439,993 B1 \* 8/2002 O'Halloran ..... 463/16  
D463,830 S \* 10/2002 Seelig et al. .... D21/370  
D472,939 S 4/2003 Philpott  
D473,899 S \* 4/2003 Munoz et al. .... D21/370  
6,589,114 B2 7/2003 Rose  
6,637,844 B1 10/2003 Luciano, Jr. et al.  
6,638,166 B2 10/2003 Hedrick et al.

**FOREIGN PATENT DOCUMENTS**

GB 2117546 A 12/1982  
JP 6178863 6/1994

\* cited by examiner

*Primary Examiner*—Sandra L. Morris  
(74) *Attorney, Agent, or Firm*—Randall S. Jackson, Jr.; Ian F. Burns & Assoc.

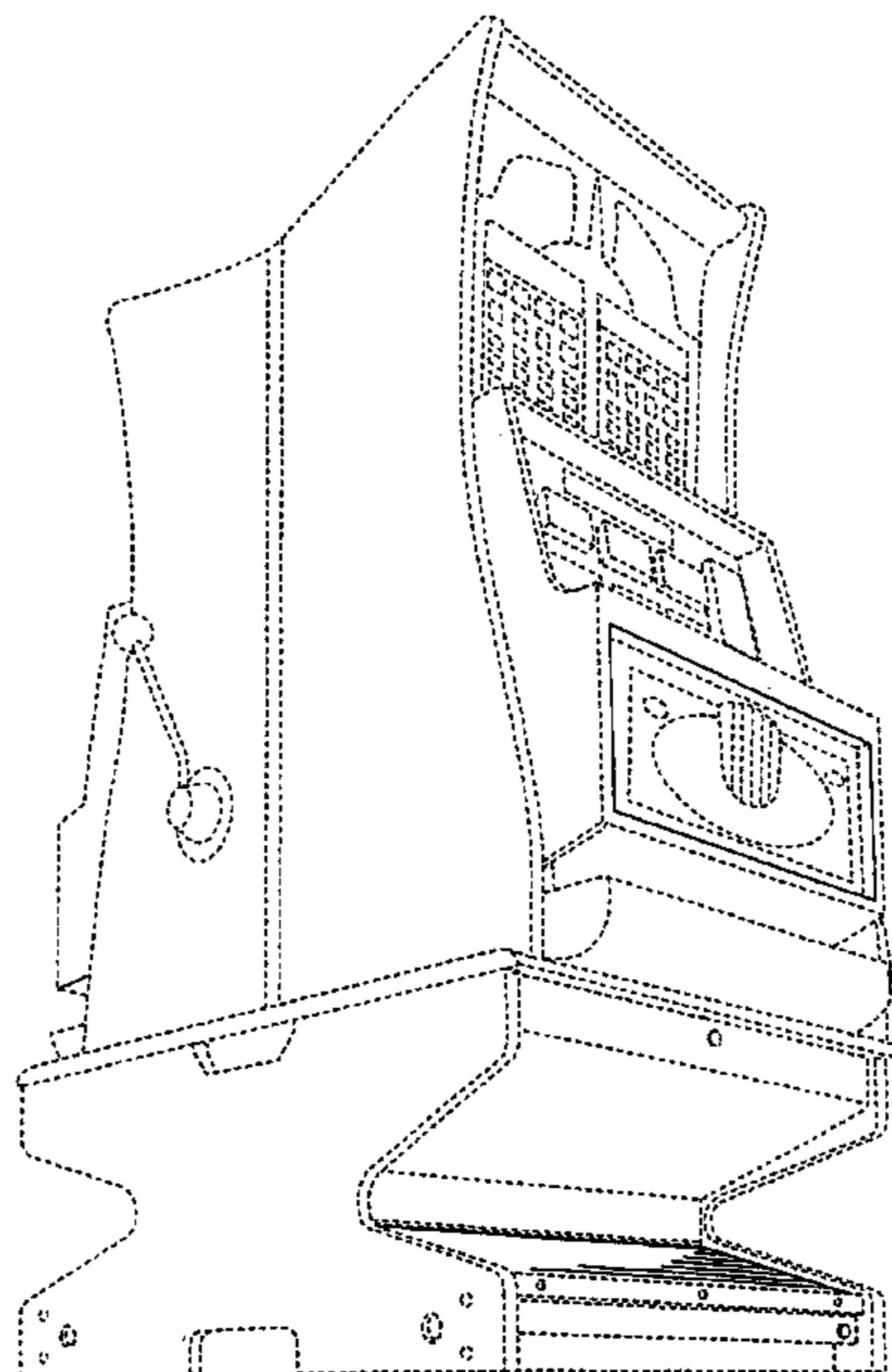
(57) **CLAIM**

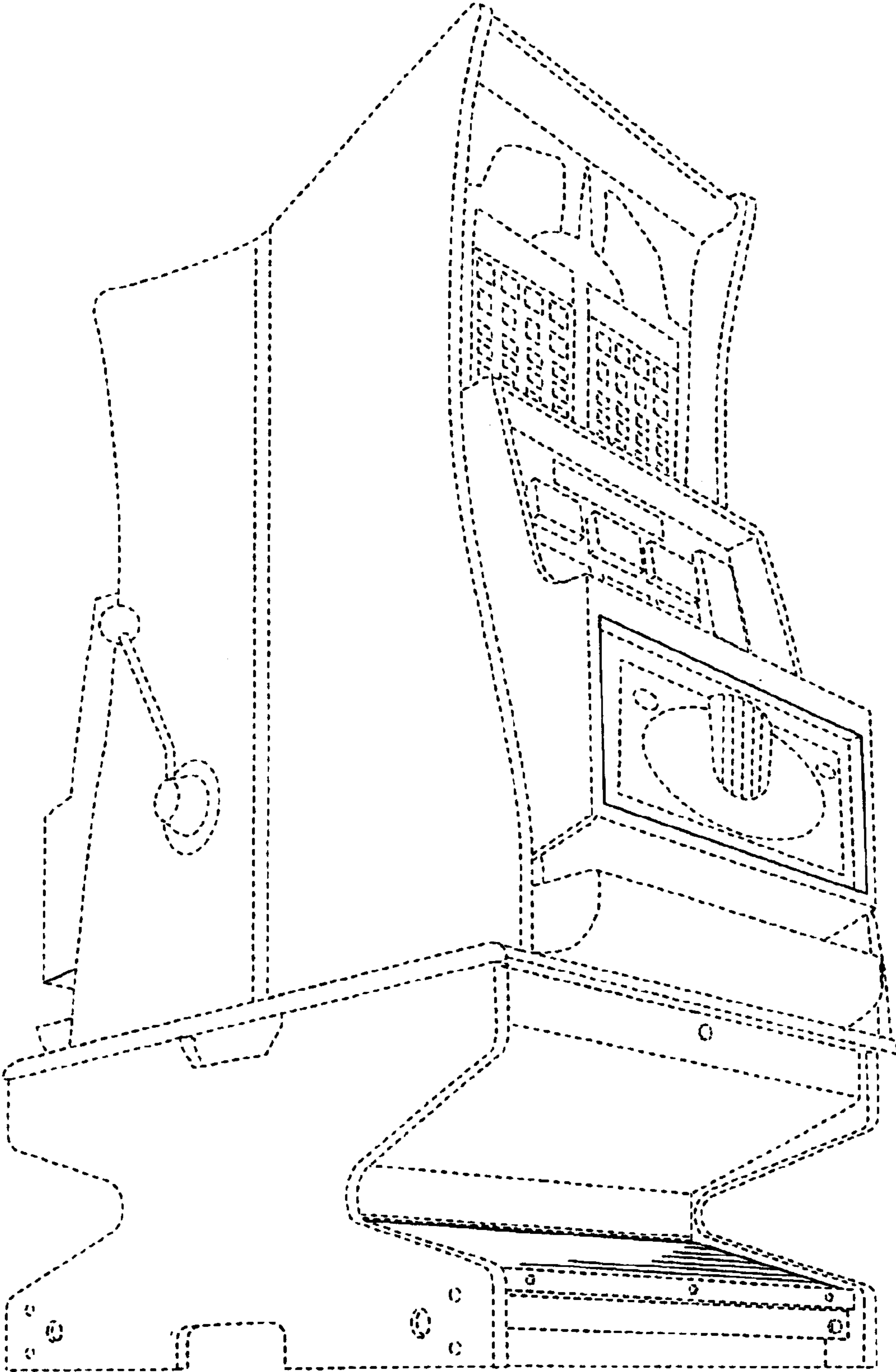
The ornamental design for a gaming device base, as shown and described.

**DESCRIPTION**

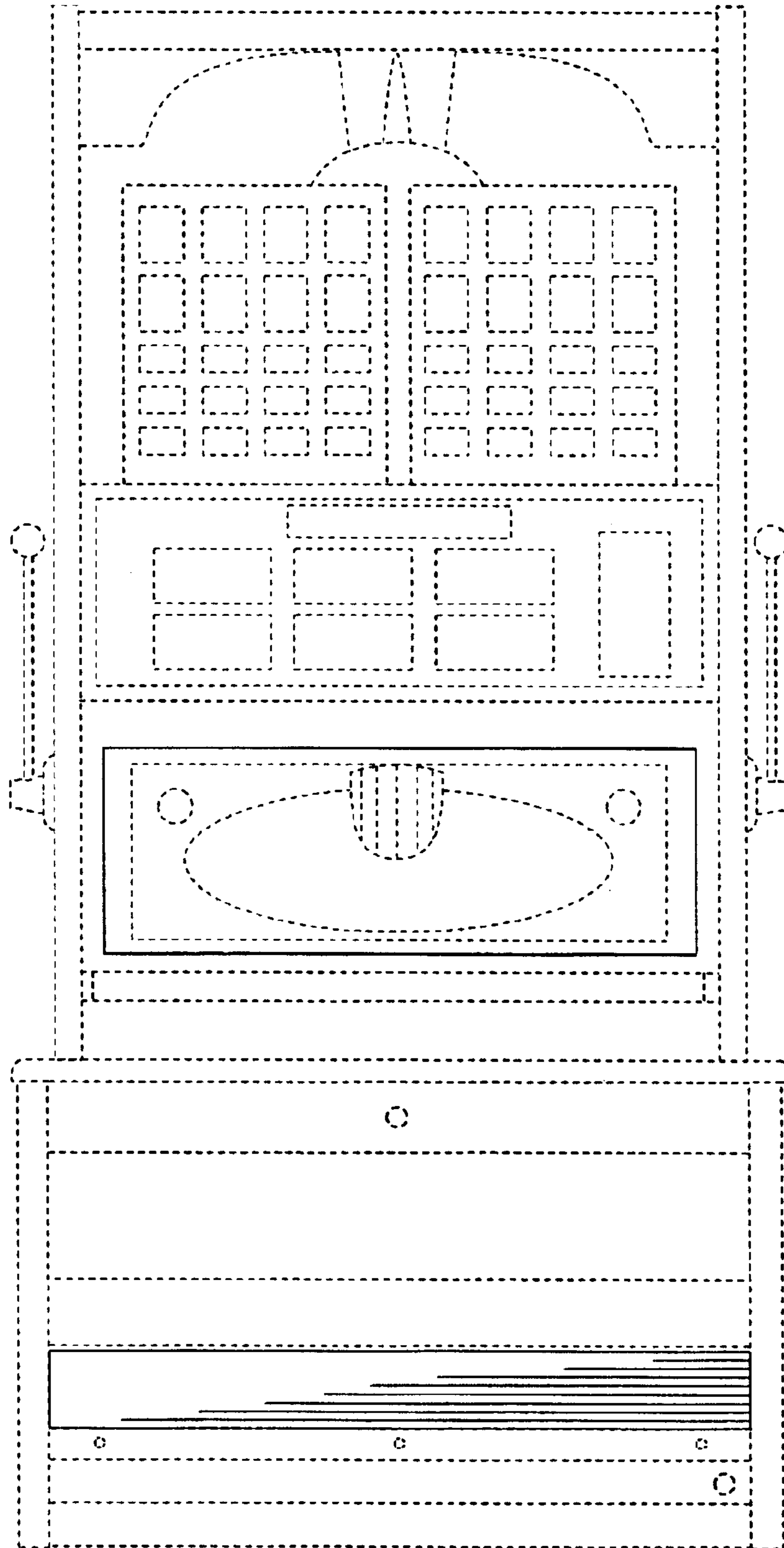
FIG. 1 is a perspective view of a gaming device base; FIG. 2 is a front elevational view thereof; FIG. 3 is a perspective view of a second embodiment of the design, in use with a plurality of gaming devices; and, FIG. 4 is a front elevational view thereof. Broken lines illustrate features or environmental components that are not part of the design sought to be patented.

**1 Claim, 4 Drawing Sheets**





**FIG. 1.**



**FIG. 2.**

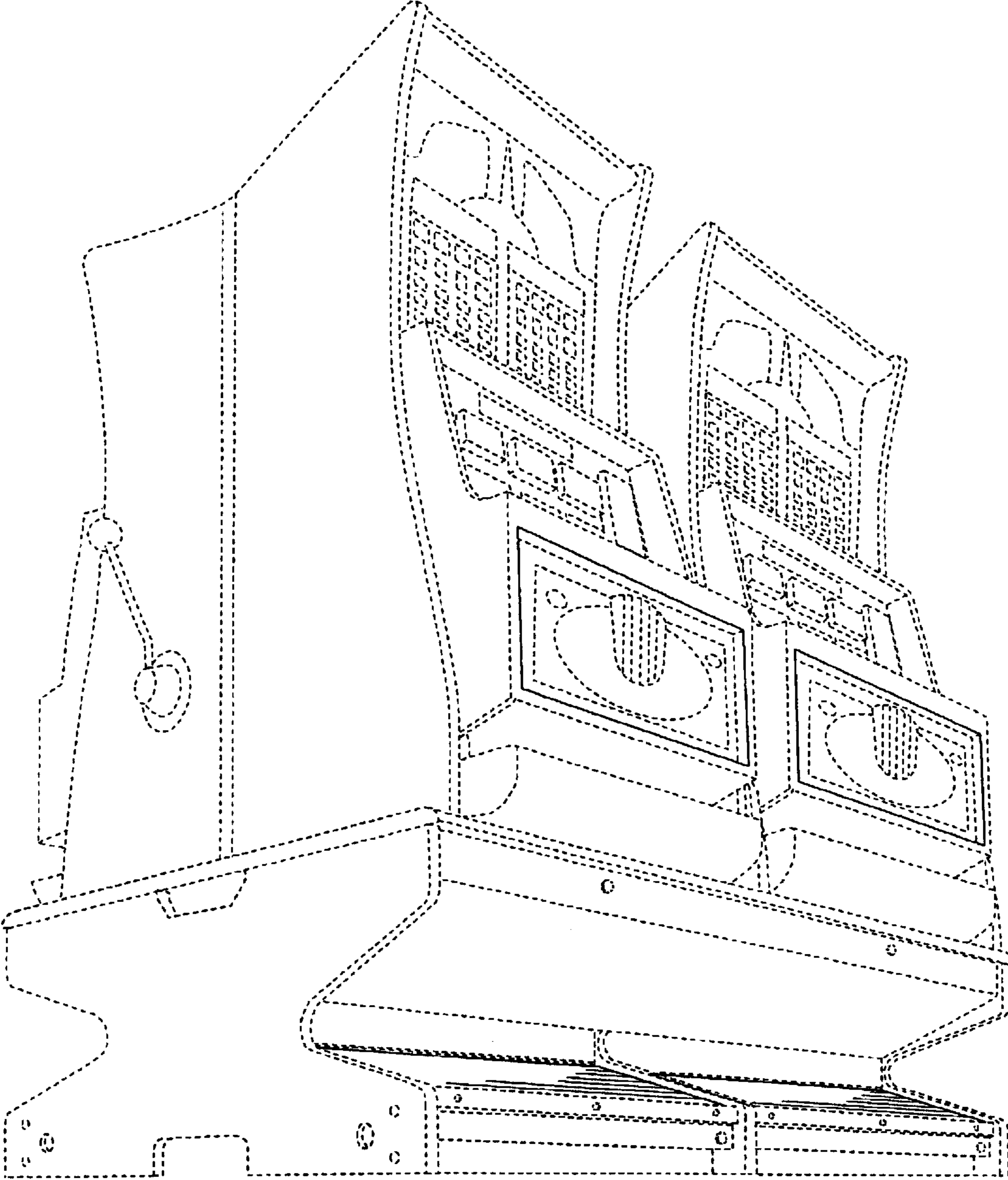


FIG. 3.

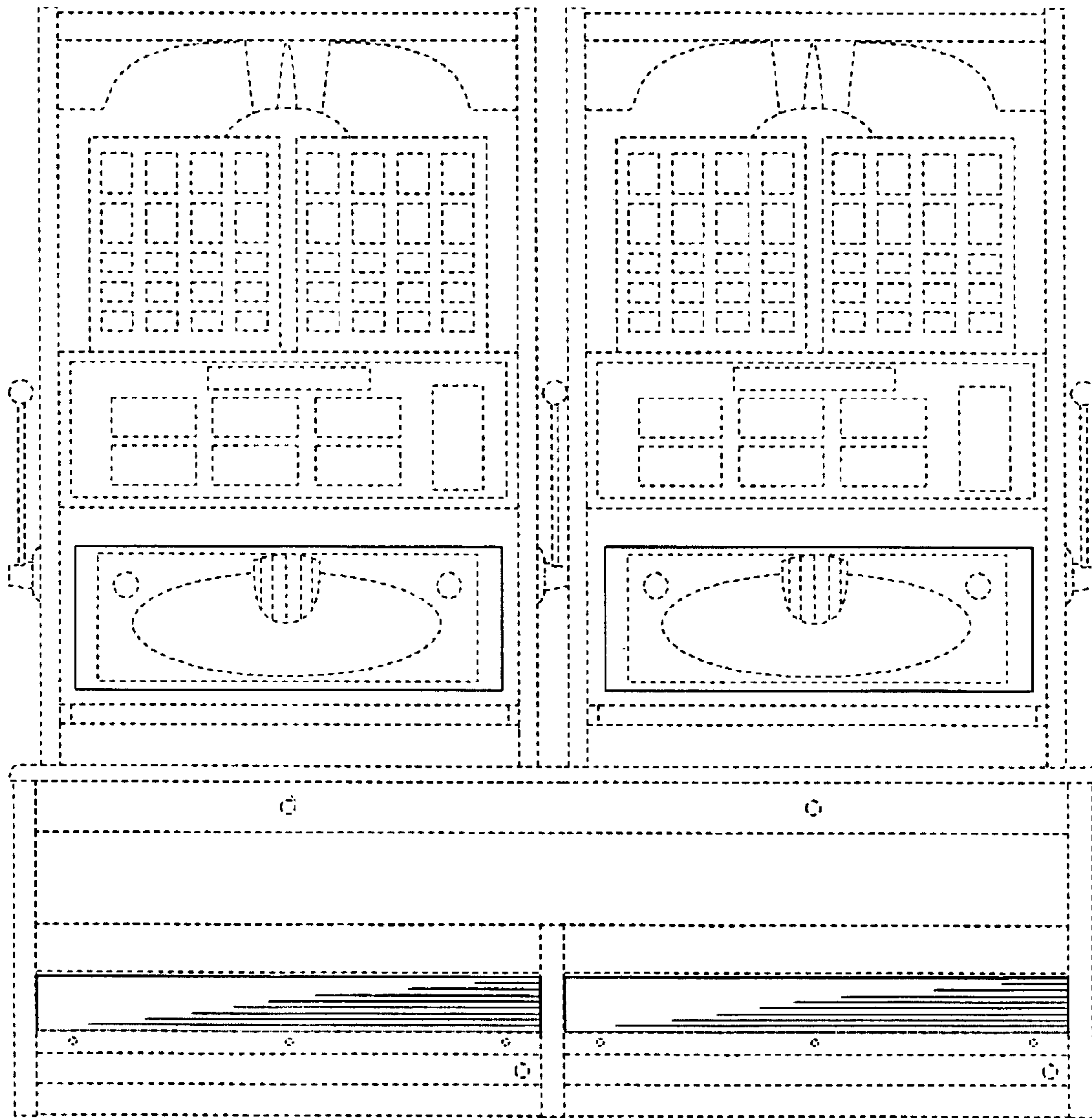


FIG. 4.