

US00D492356S1

(12) **United States Design Patent**
Milliorn et al.

(10) **Patent No.: US D492,356 S**
(45) **Date of Patent: ** Jun. 29, 2004**

- (54) **ROLL DISPENSER**
- (75) Inventors: **James Michael Milliorn**, Fort Worth, TX (US); **Andrew Brian Milliorn**, Kennedale, TX (US)
- (73) Assignee: **Daydots Holdings, Inc.**, Fort Worth, TX (US)
- (**) Term: **14 Years**
- (21) Appl. No.: **29/191,004**
- (22) Filed: **Sep. 30, 2003**
- (51) **LOC (7) Cl.** **19-02**
- (52) **U.S. Cl.** **D19/69; D19/67**
- (58) **Field of Search** D19/65, 66, 53, D19/89, 67-69, 99, 100; 225/6, 7, 19, 26, 25, 34, 33, 45, 56, 65, 66, 89, 47; 242/588, 590, 588.1-588.6; 156/327, 523, 527, 577

- 3,144,184 A * 8/1964 Yerkes 225/26
- 3,743,151 A * 7/1973 Malcolm 225/47
- 3,815,801 A * 6/1974 Perrin 225/47
- D251,599 S * 4/1979 Fritzinger D19/69
- D407,750 S * 4/1999 Watters D19/69
- D415,528 S * 10/1999 Mandar D19/69

* cited by examiner

Primary Examiner—Martie K. Holtje
(74) *Attorney, Agent, or Firm*—Fulbright & Jaworski LLP; Marc L. Delflache

(57) **CLAIM**

The ornamental design for roll dispenser, as shown and described.

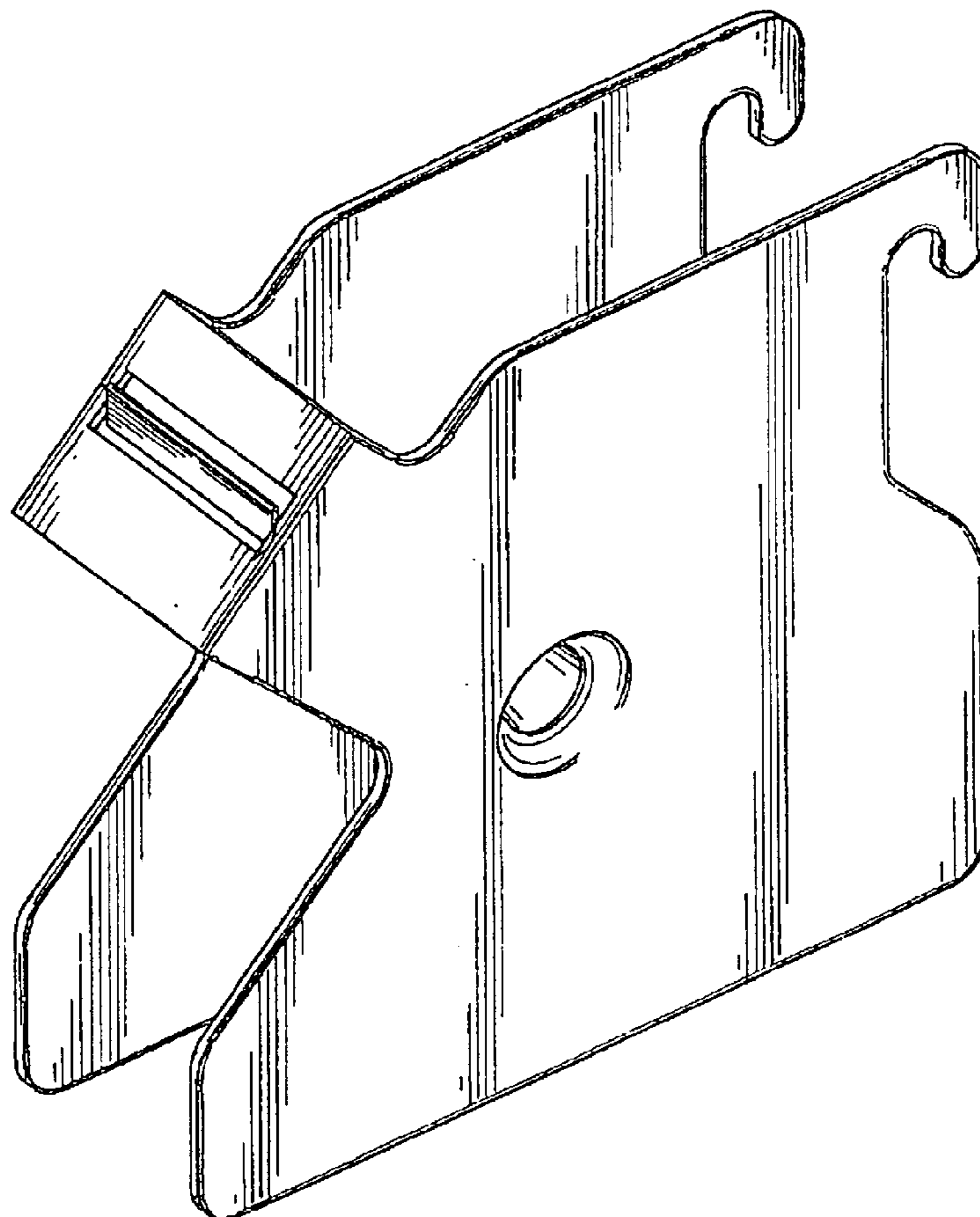
DESCRIPTION

FIG. 1 is a perspective view of the present invention. FIG. 2 is a top view of the present invention. FIG. 3 is a right side view of the present invention. FIG. 4 is a bottom view of the present invention. FIG. 5 is a left side view of the present invention. FIG. 6 is a back view of the present invention; and, FIG. 7 is a front view of the present invention.

(56) **References Cited**
U.S. PATENT DOCUMENTS

- 2,640,657 A * 6/1953 Guyer 225/66
- 3,107,193 A * 10/1963 De Neui et al. 156/527
- 3,127,078 A * 3/1964 Dubnick 225/33

1 Claim, 3 Drawing Sheets



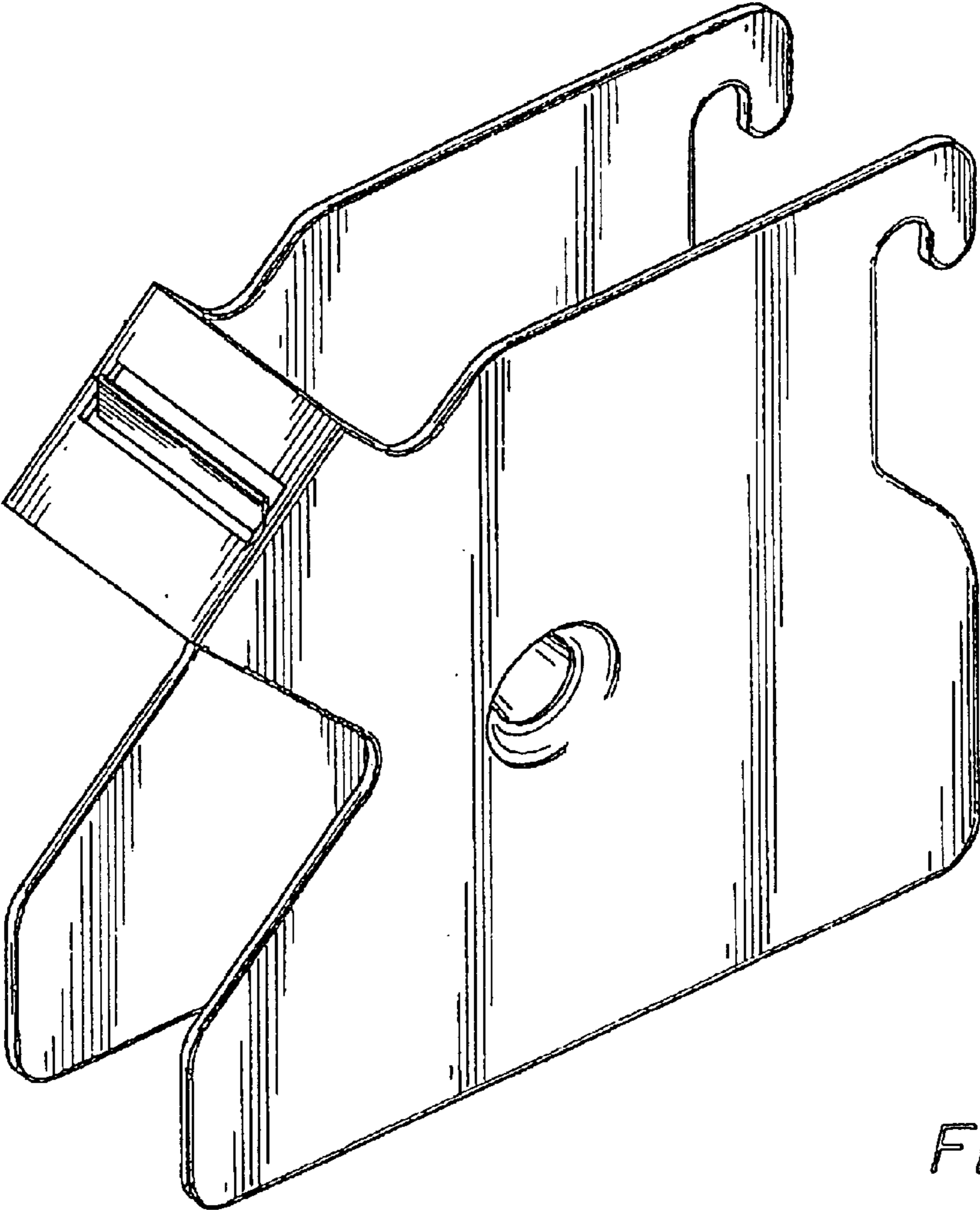


FIG. 1

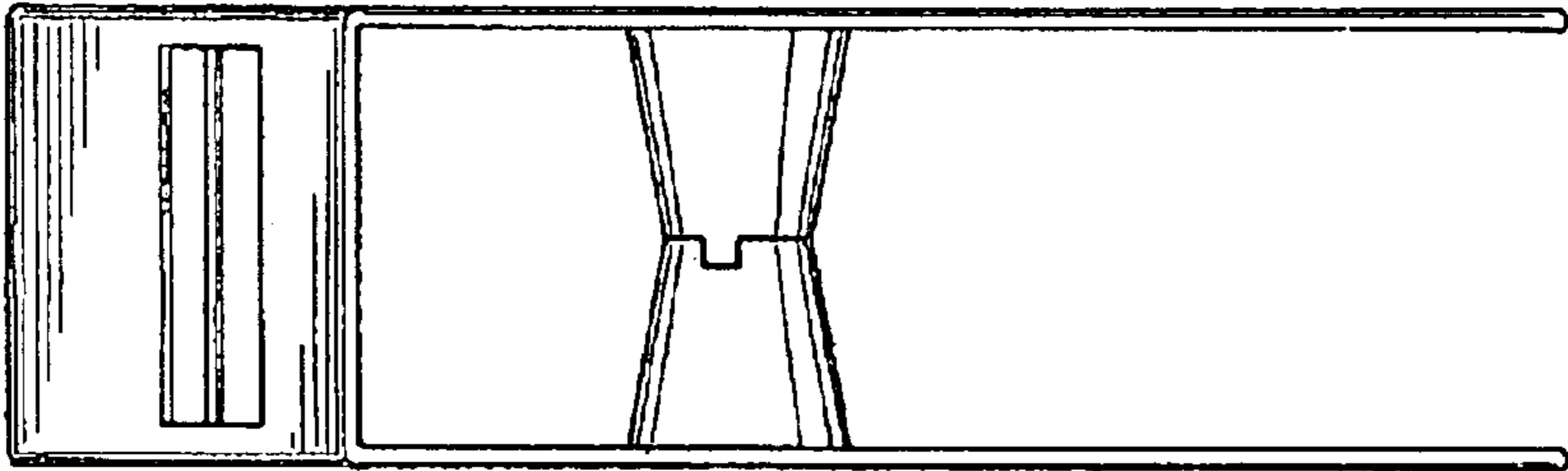


FIG. 2

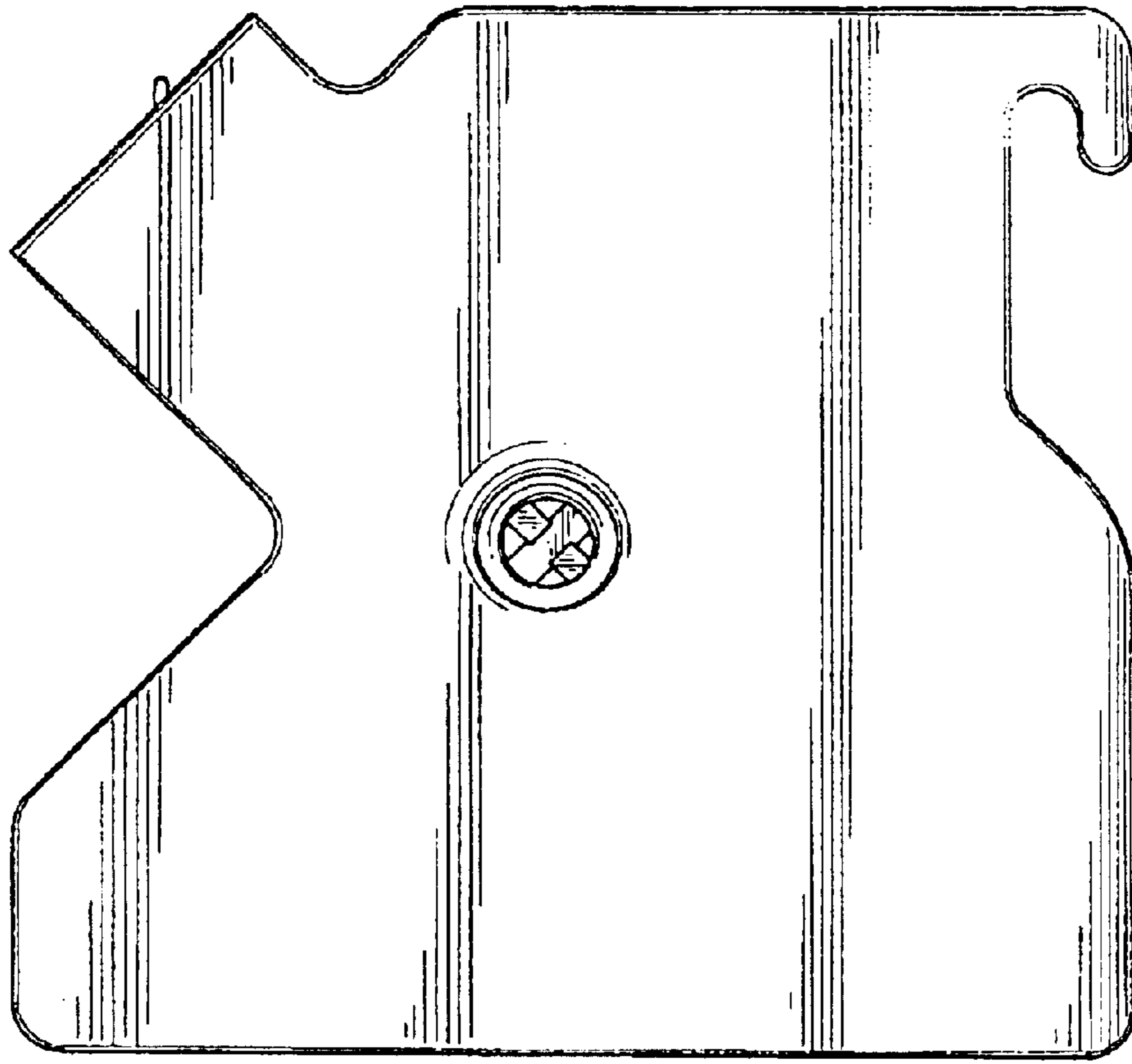


FIG. 3

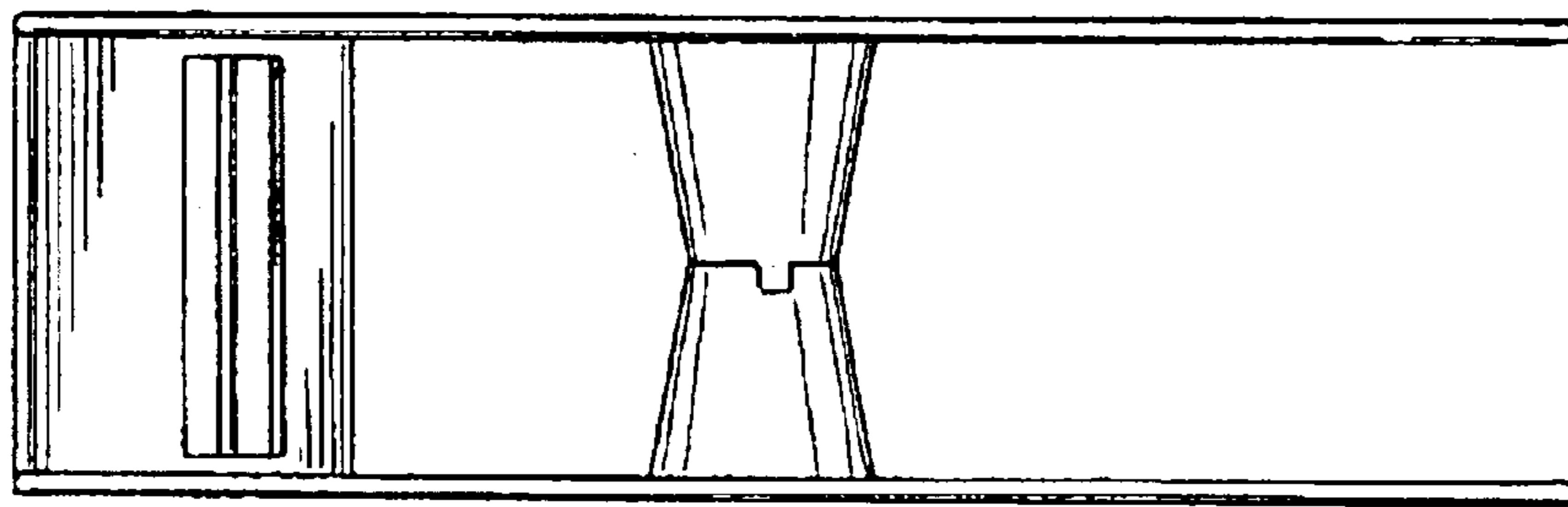


FIG. 4

FIG. 5

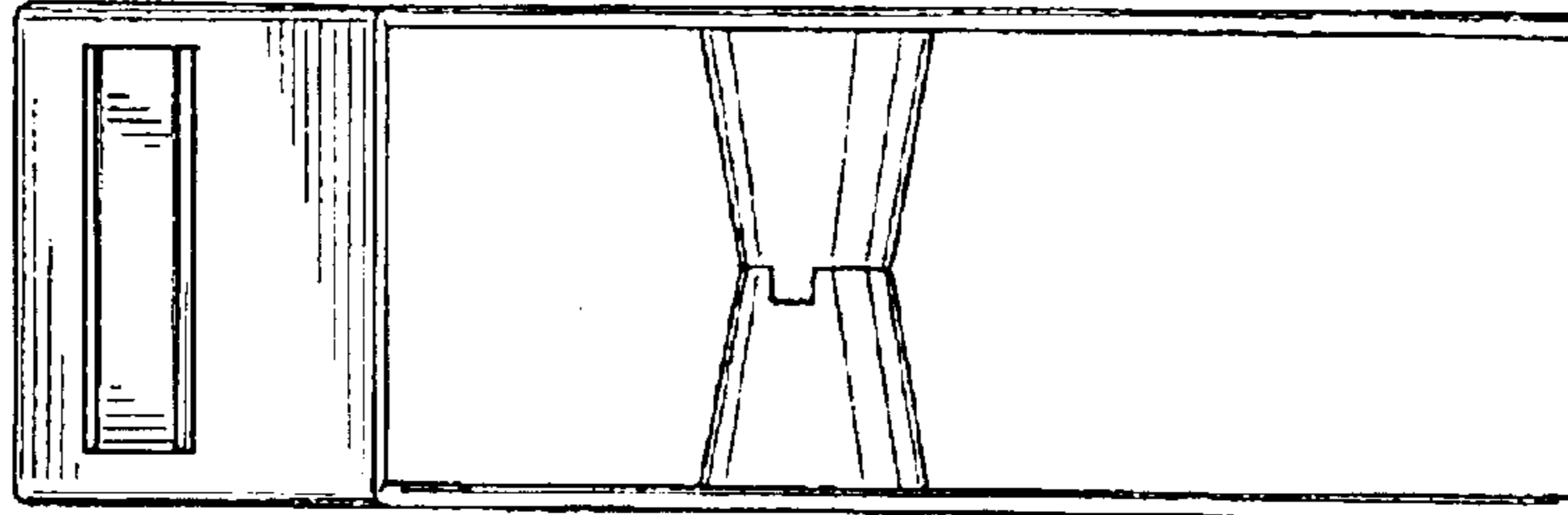
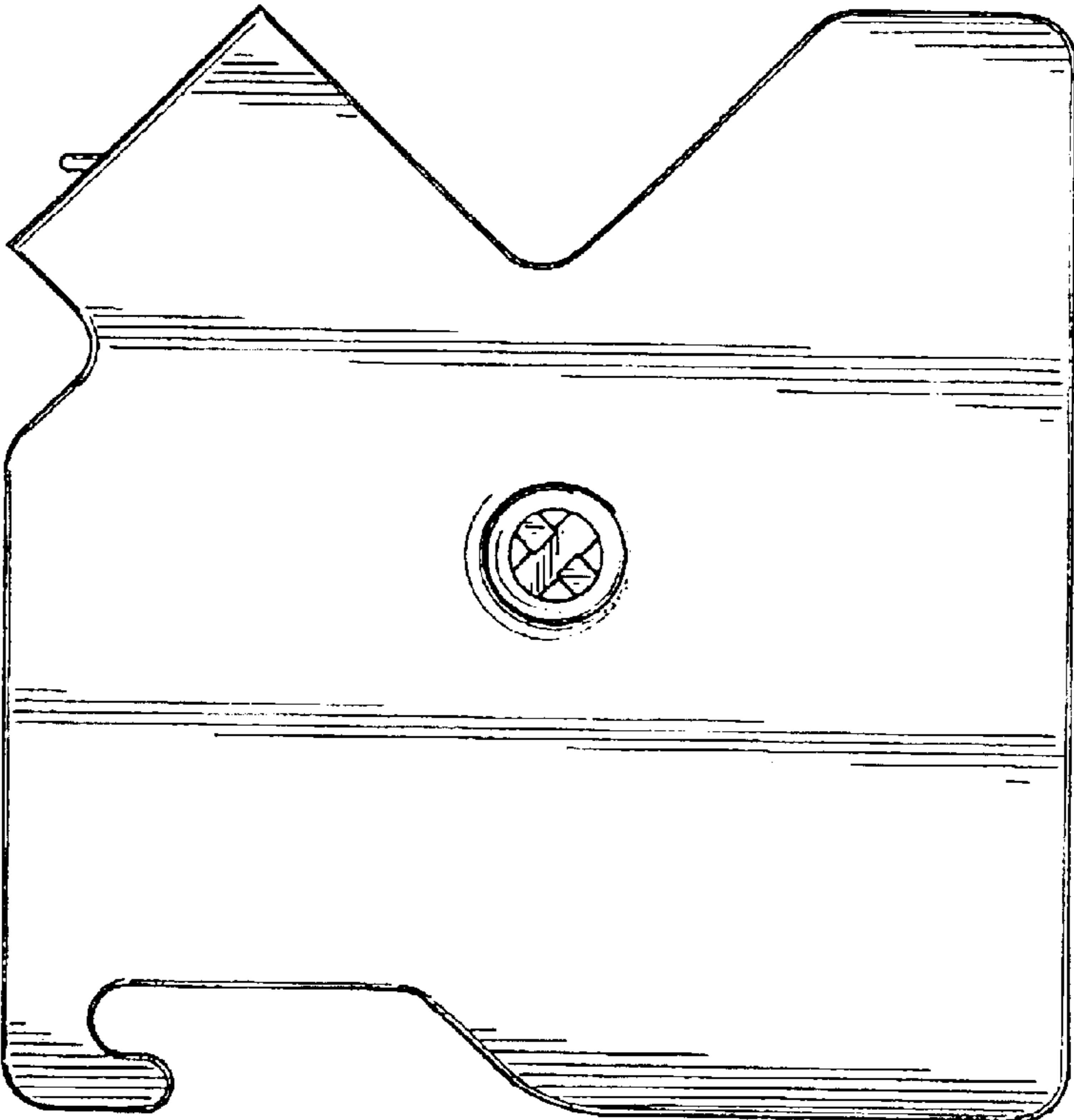


FIG. 7

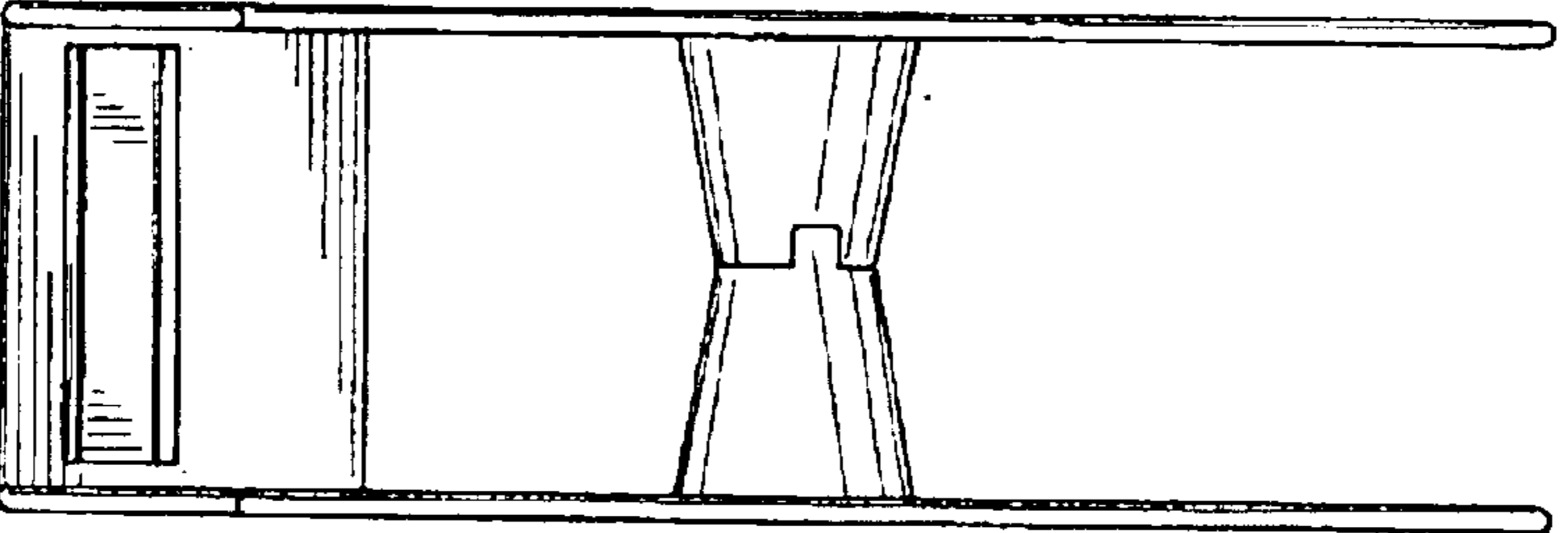


FIG. 6