

US00D492352S1

(12) **United States Design Patent**
Lammers et al.

(10) **Patent No.: US D492,352 S**
(45) **Date of Patent: ** Jun. 29, 2004**

(54) **POWERED TAPE DISPENSER**

(75) Inventors: **Anthony J. Lammers**, Gates Mills, OH (US); **John R. Nottingham**, Bratenahl, OH (US); **John W. Spirk**, Gates Mills, OH (US); **Jeffrey Scott Plantz**, Cleveland, OH (US); **Patrick W. Brown**, Mantua, OH (US)

(73) Assignee: **InnoDesk Home, Inc.**, Beachwood, OH (US)

(**) Term: **14 Years**

(21) Appl. No.: **29/190,776**

(22) Filed: **Sep. 26, 2003**

(51) **LOC (7) Cl.** **19-02**

(52) **U.S. Cl.** **D19/68; D19/69**

(58) **Field of Search** **D19/65, 66, 53, D19/89, 67-69, 99, 100; 225/6, 7, 19, 25, 34, 45, 56, 65, 66, 89; 242/588, 590, 588.1-588.6; 156/327, 523, 527, 577**

(56) **References Cited**

U.S. PATENT DOCUMENTS

3,127,989 A * 4/1964 Travaglio 242/588.4
D250,060 S * 10/1978 Sato D19/69 X

4,188,255 A * 2/1980 Gottardo 156/577 X
D265,568 S * 7/1982 Kalifa D19/68 X
D416,288 S * 11/1999 Kuehn D19/69
6,112,796 A * 9/2000 Stevens 156/577
6,568,450 B1 * 5/2003 Stevens 242/588.2

* cited by examiner

Primary Examiner—Martie K. Holtje

(74) *Attorney, Agent, or Firm*—DKW Law Group, LLC

(57) **CLAIM**

We claim the ornamental design for a powered tape dispenser, as shown and described.

DESCRIPTION

FIG. 1 is a perspective view of the powered tape dispenser showing our new design;

FIG. 2 is a left side elevational view thereof;

FIG. 3 is a right side elevational view thereof;

FIG. 4 is a top plan view thereof;

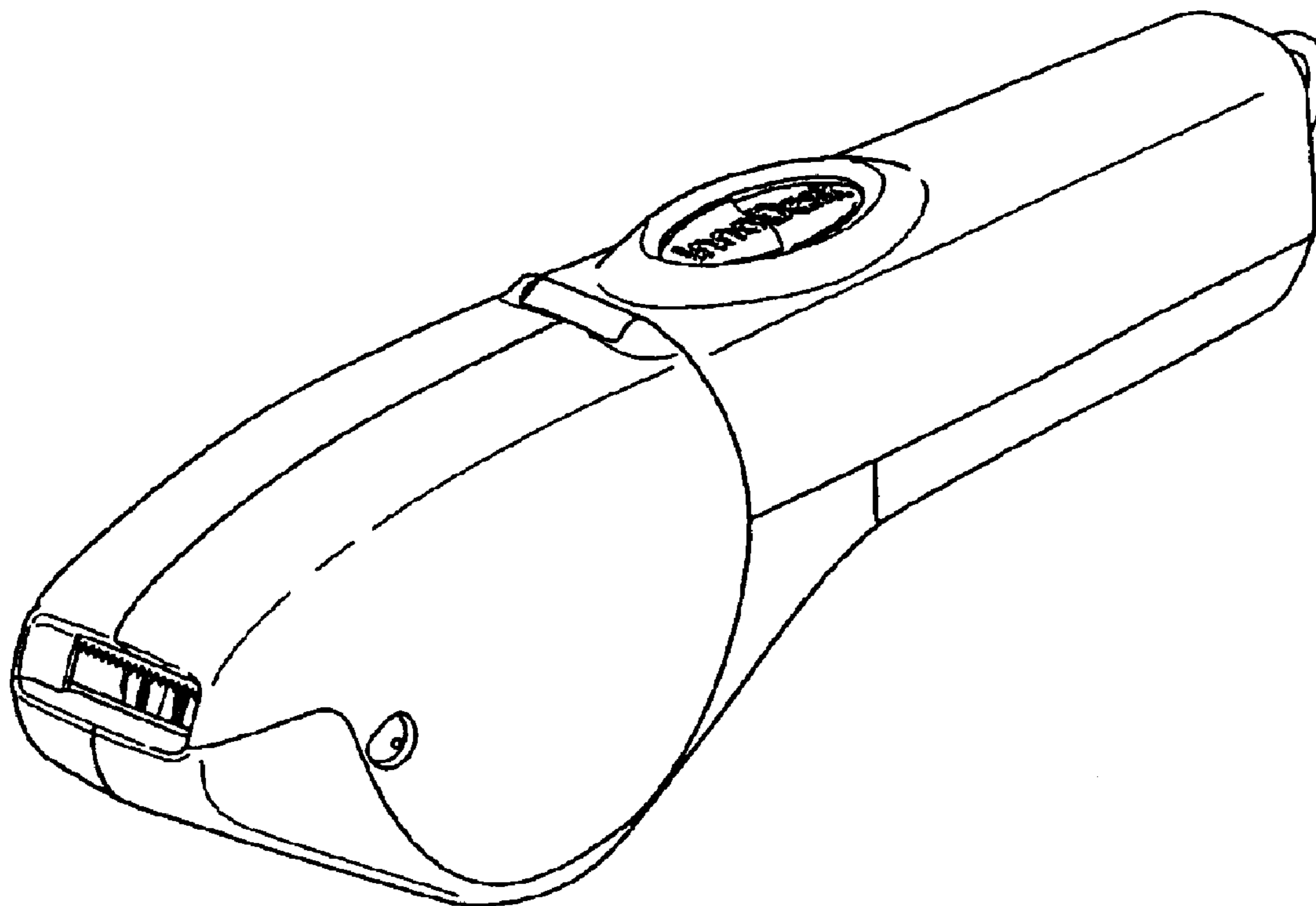
FIG. 5 is a bottom plan view thereof;

FIG. 6 is a front elevational view thereof; and,

FIG. 7 is a rear elevational view thereof.

The indicia depicted by means of broken lines in FIGS. 1 and 4 has been shown for illustrative purposes only and forms no part of the claimed design.

1 Claim, 2 Drawing Sheets



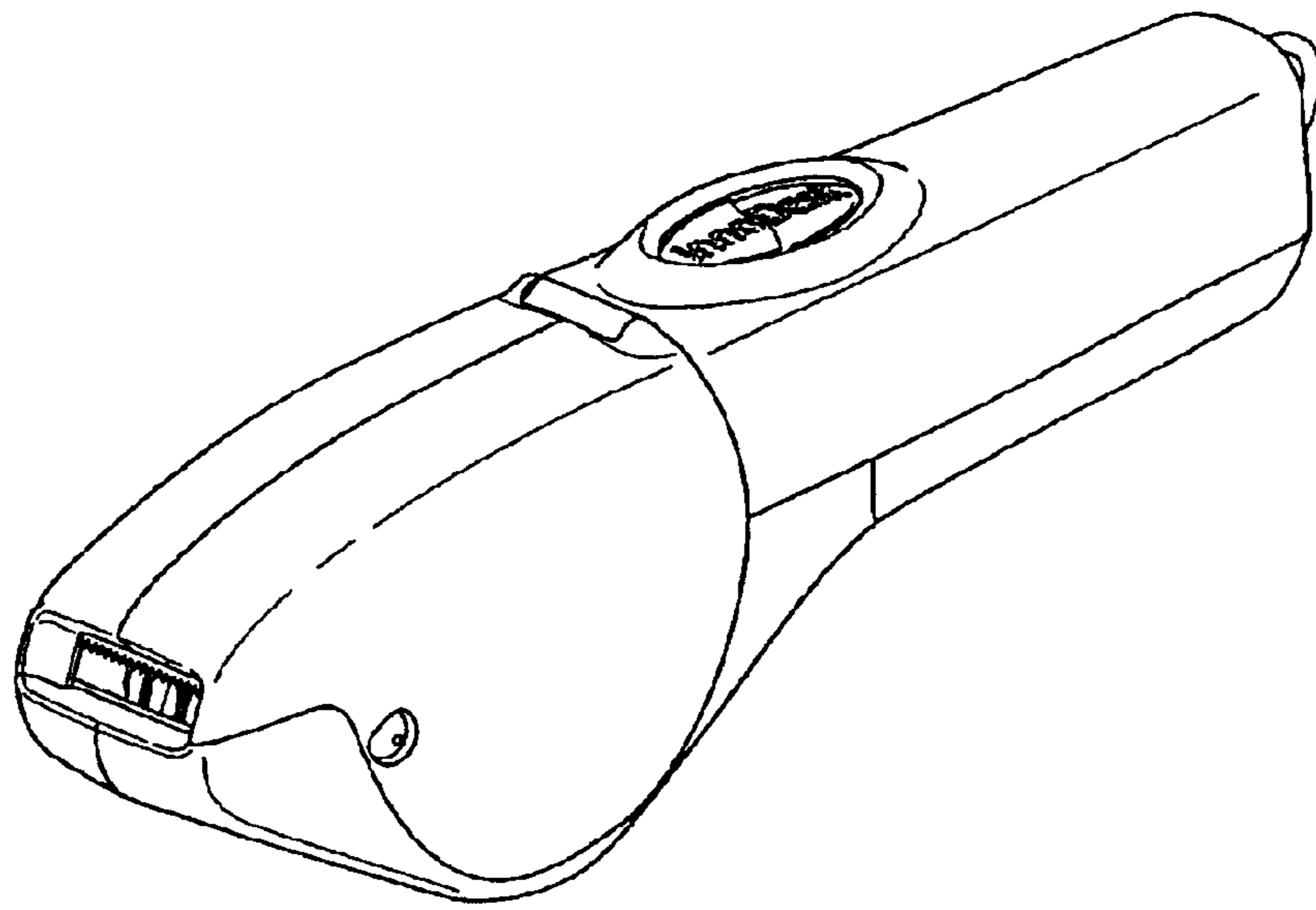


Fig. 1

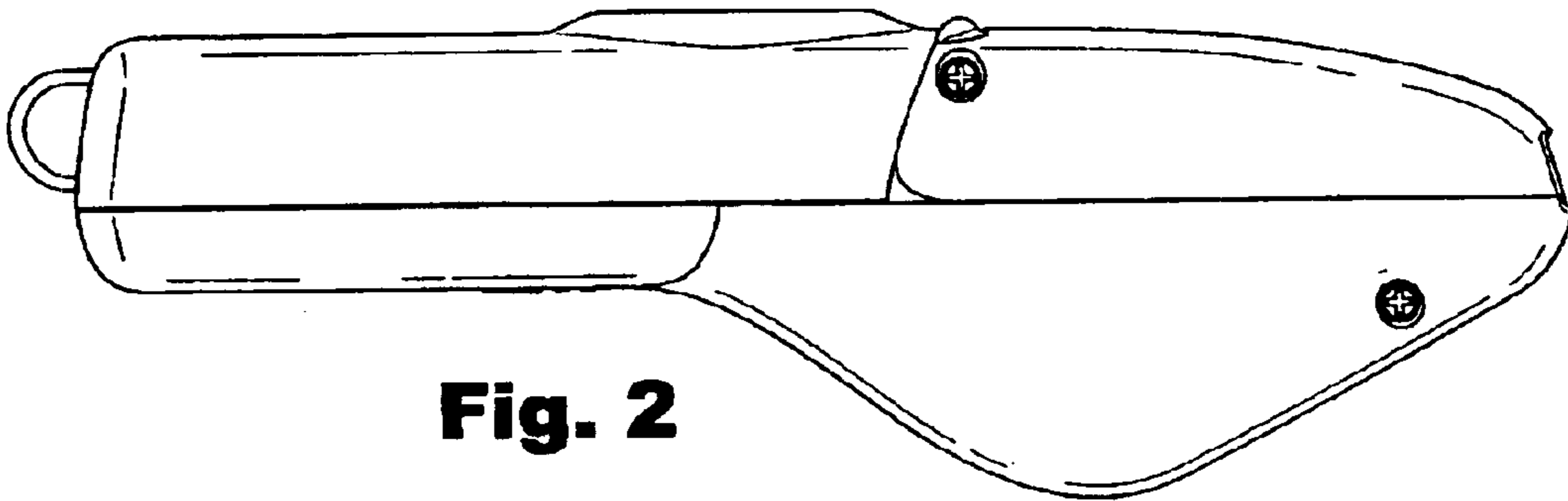


Fig. 2

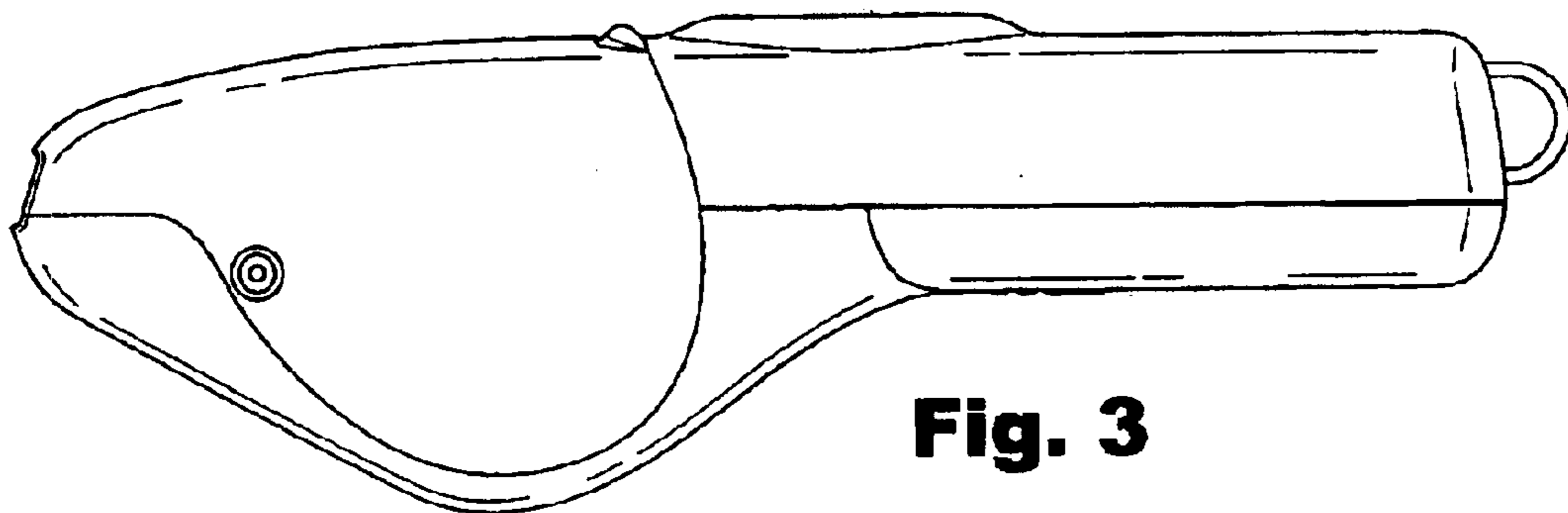


Fig. 3

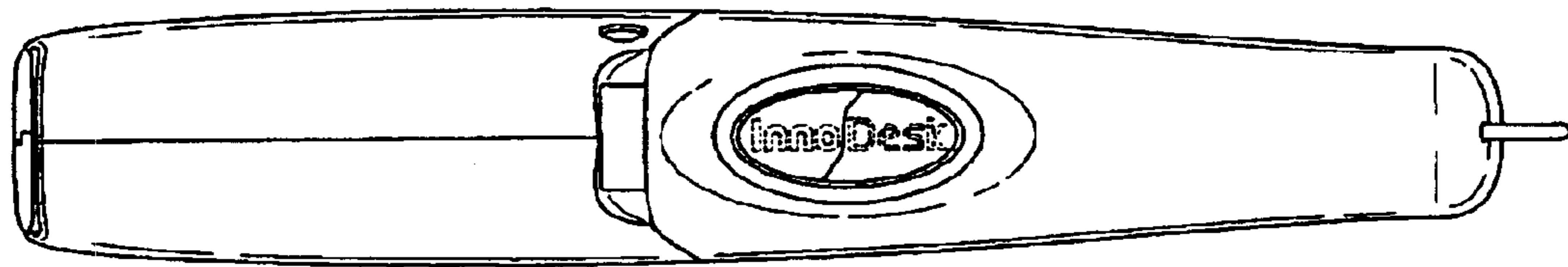


Fig. 4

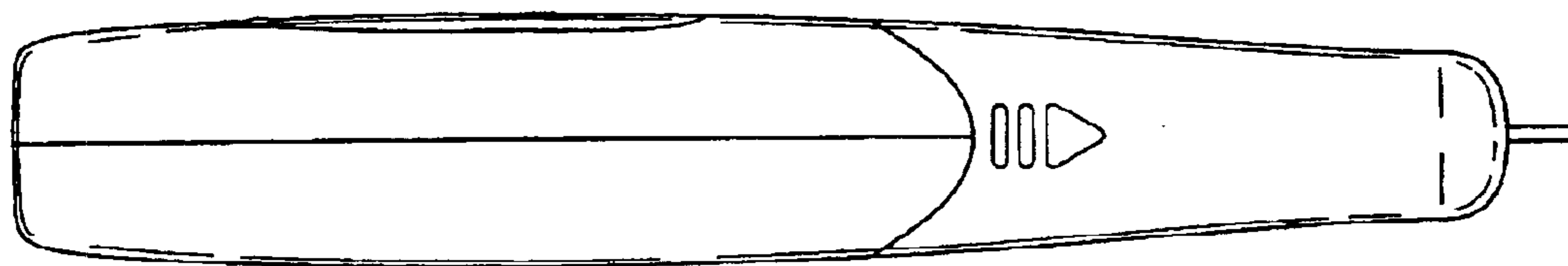


Fig. 5

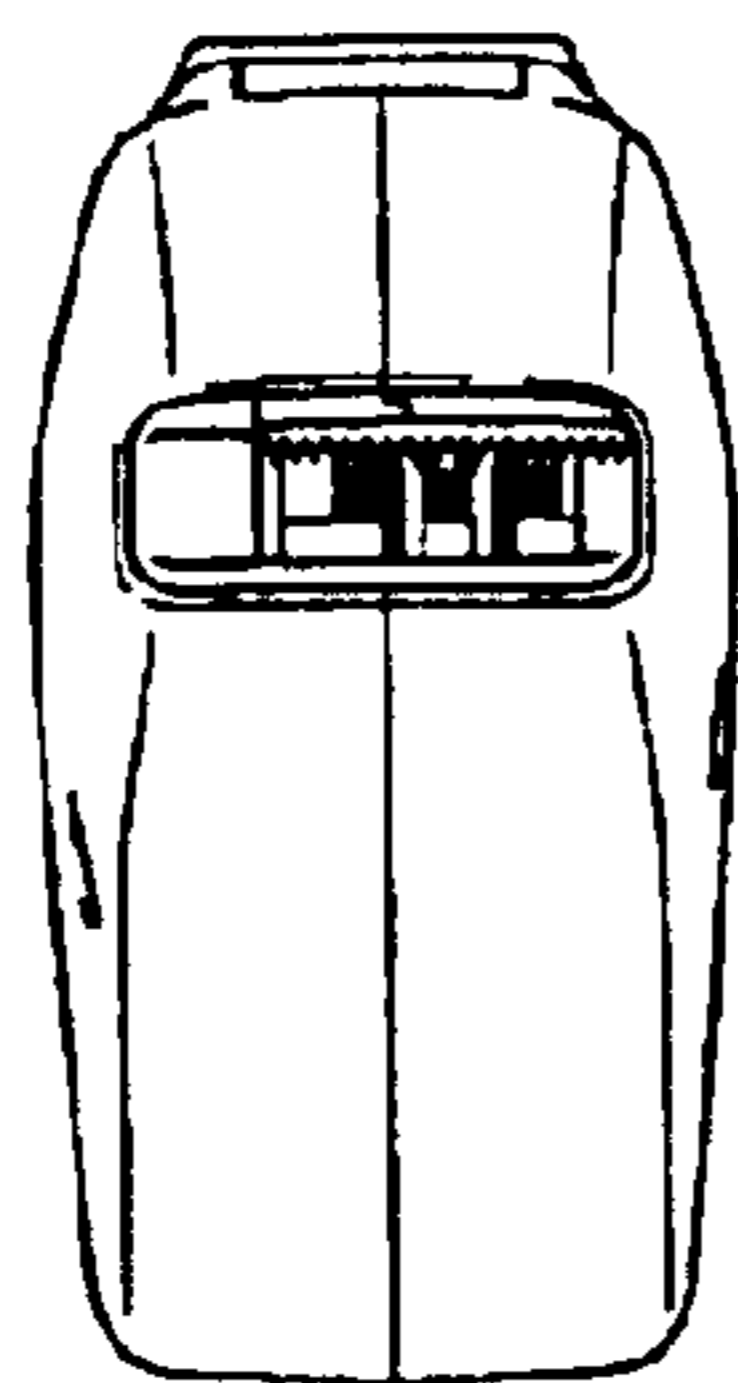


Fig. 6

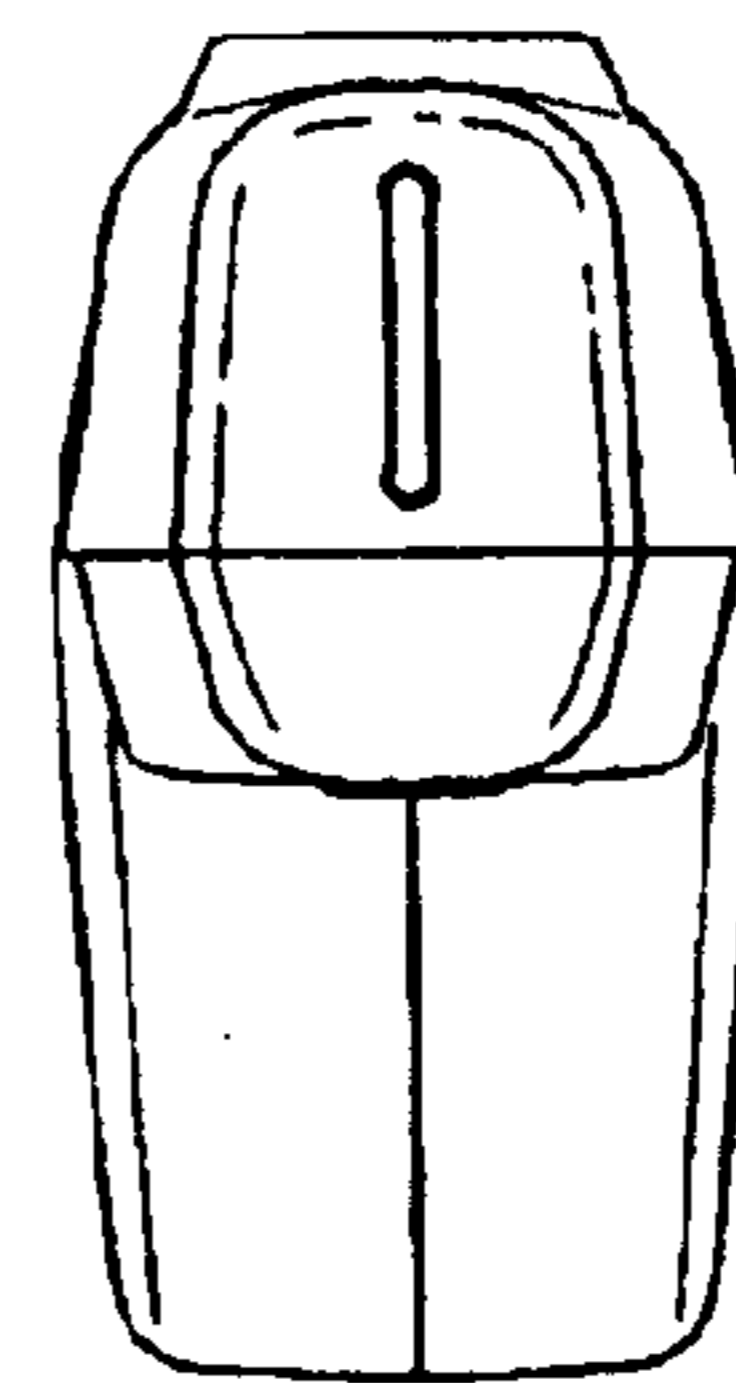


Fig. 7