



US00D492344S1

(12) **United States Design Patent**
Hoshiya

(10) **Patent No.:** **US D492,344 S**
(45) **Date of Patent:** **** Jun. 29, 2004**

(54) **PRINTER WITH COPYING AND SCANNING FUNCTIONS**

(75) Inventor: **Kazuhiro Hoshiya**, Nagoya (JP)

(73) Assignee: **Brother Industries, Limited**, Nagoya (JP)

(**) Term: **14 Years**

(21) Appl. No.: **29/176,879**

(22) Filed: **Mar. 3, 2003**

(30) **Foreign Application Priority Data**

Oct. 1, 2002 (JP) 2002-026962

(51) **LOC (7) Cl.** **14-02**

(52) **U.S. Cl.** **D18/50**

(58) **Field of Search** D18/50, 53, 54,
D18/55, 36-39, 3.1-4.6, 5, 6; D14/462-470,
420-425; 400/613, 613.1-613.4, 691-694,
690.01-690.4; 355/78; D32/40, 41, 46;
D25/119

(56) **References Cited**

U.S. PATENT DOCUMENTS

- 3,042,742 A * 7/1962 Foster 174/69
- D200,365 S * 2/1965 Knowles et al. D18/36
- 3,330,080 A * 7/1967 Grieb et al. D25/119
- D244,388 S * 5/1977 Conway et al. D18/4.6

- D266,090 S * 9/1982 Davis, Jr. et al. D18/53
- D280,634 S * 9/1985 Imada et al. D18/37
- D296,949 S * 7/1988 Warwicker D18/3.1
- D321,001 S * 10/1991 Umino et al. D18/55
- D355,905 S * 2/1995 Takeuchi D14/462
- D359,066 S * 6/1995 Kondo et al. D18/39
- D363,304 S * 10/1995 Kondo et al. D18/36
- D424,101 S * 5/2000 Takeuchi D18/53
- D427,623 S * 7/2000 Kuwada et al. D18/3.1
- D428,608 S * 7/2000 Ishio et al. D14/470
- D432,161 S * 10/2000 Takeuchi D18/39
- D458,297 S * 6/2002 Laidlaw et al. D18/36

* cited by examiner

Primary Examiner—Cathy Anne MacCormac

(74) *Attorney, Agent, or Firm*—Oliff & Berridge, PLC

(57) **CLAIM**

The ornamental design for a printer with copying and scanning functions, as shown and described.

DESCRIPTION

FIG. 1 is a perspective view of a printer with copying and scanning functions;

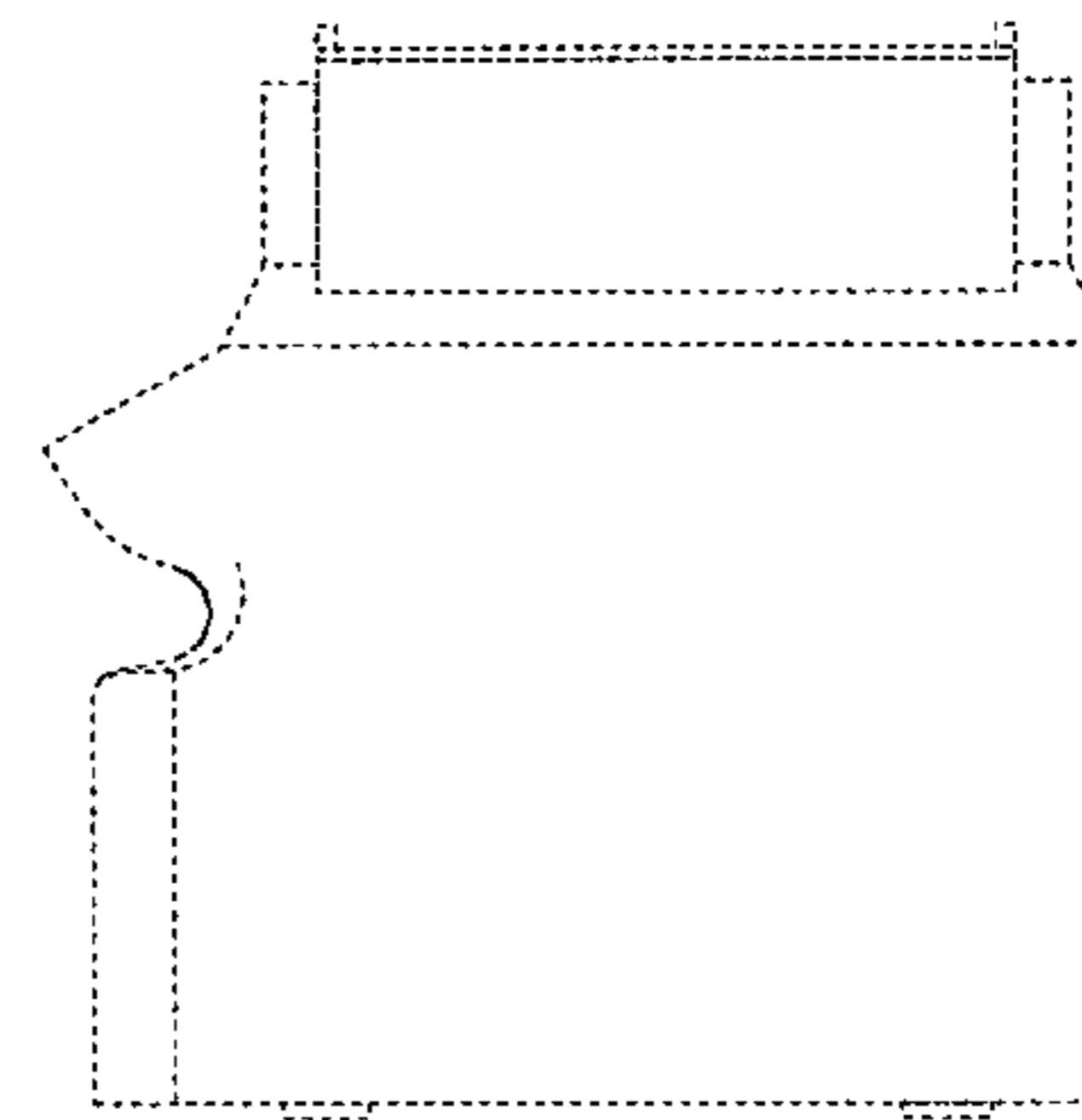
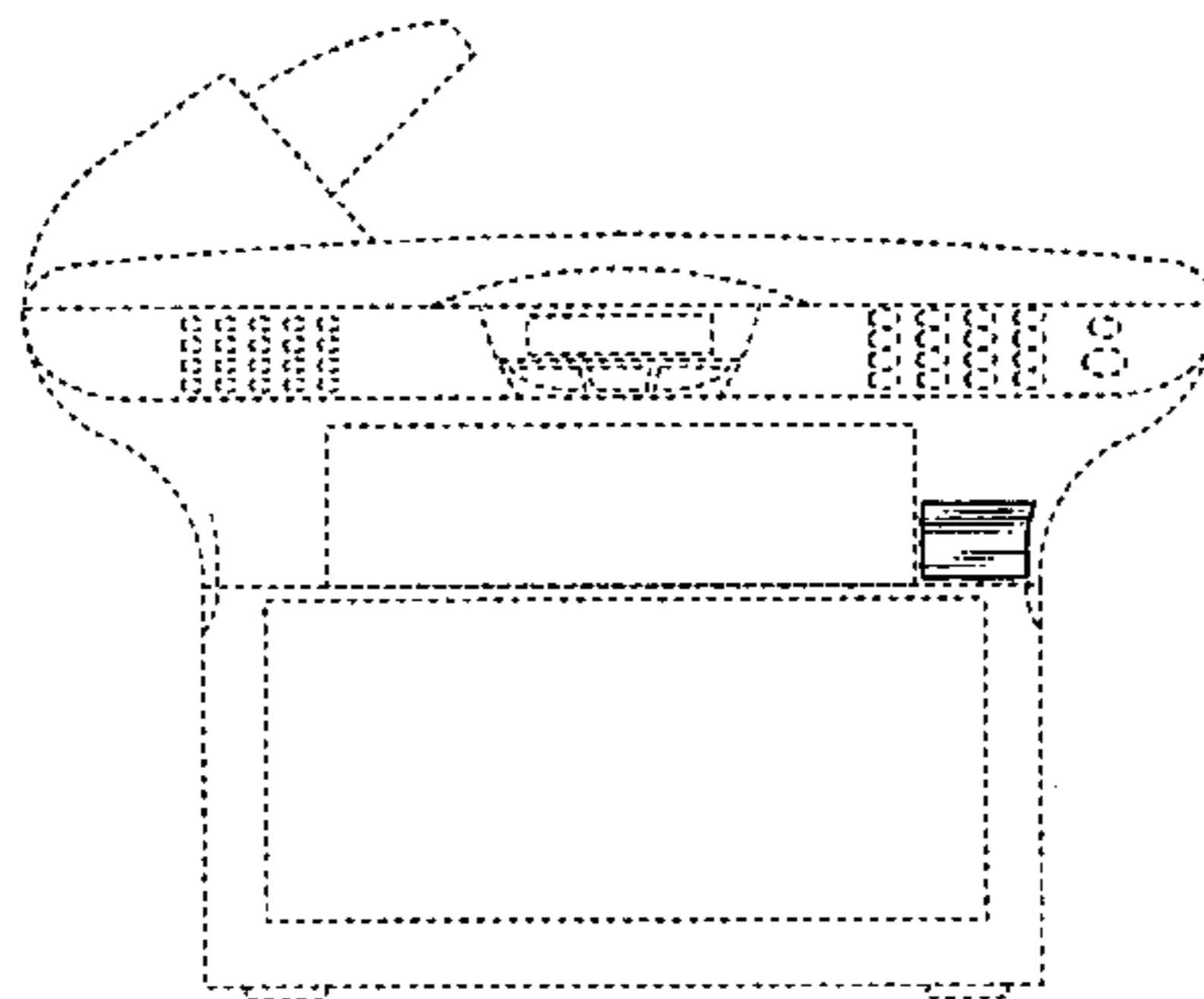
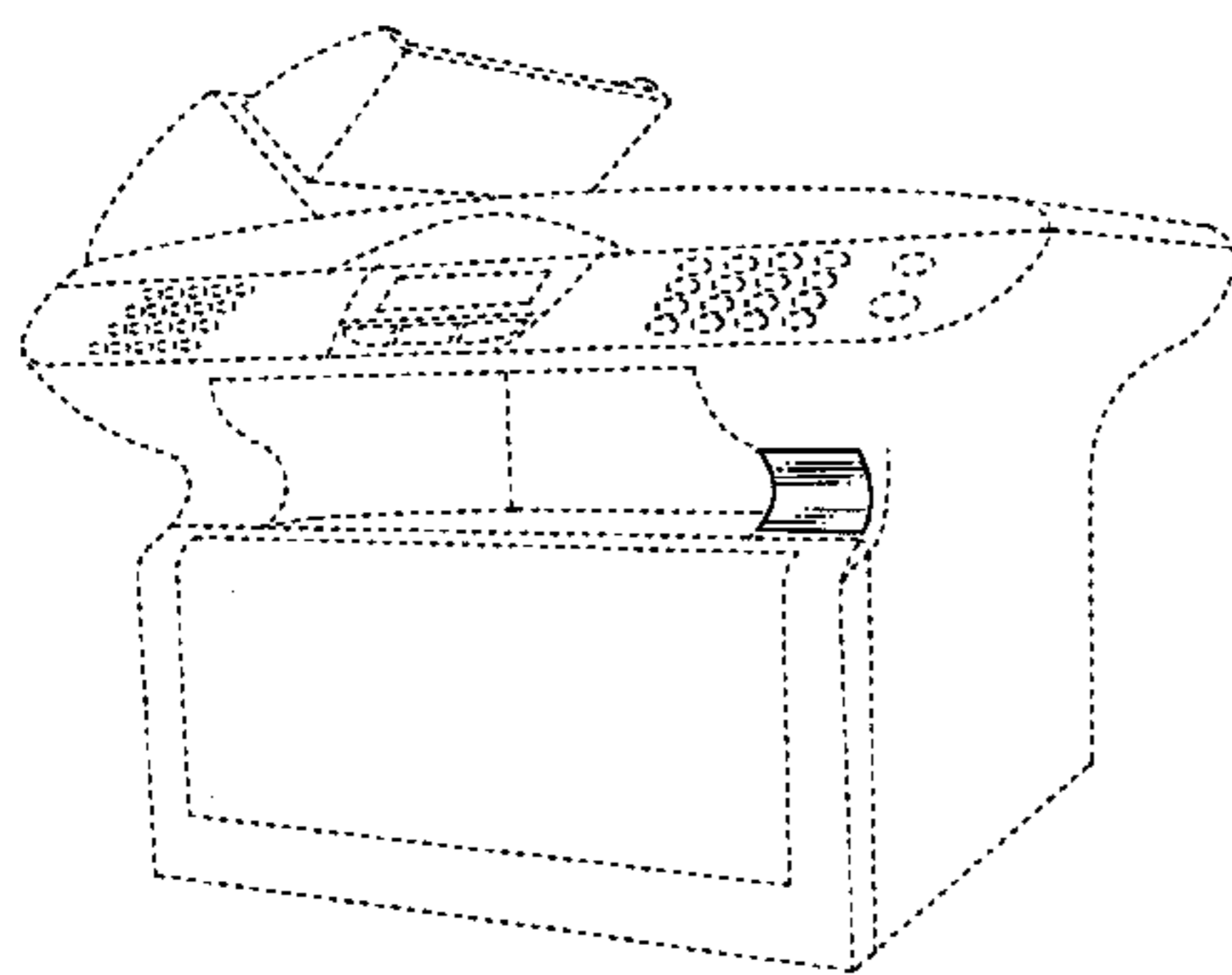
FIG. 2 is a front view thereof; and,

FIG. 3 is a right-side view thereof.

The top, bottom, left and rear views contain no ornamentality and are omitted.

The broken line showing is for illustrative purposes only and does not form part of the claimed design.

1 Claim, 3 Drawing Sheets



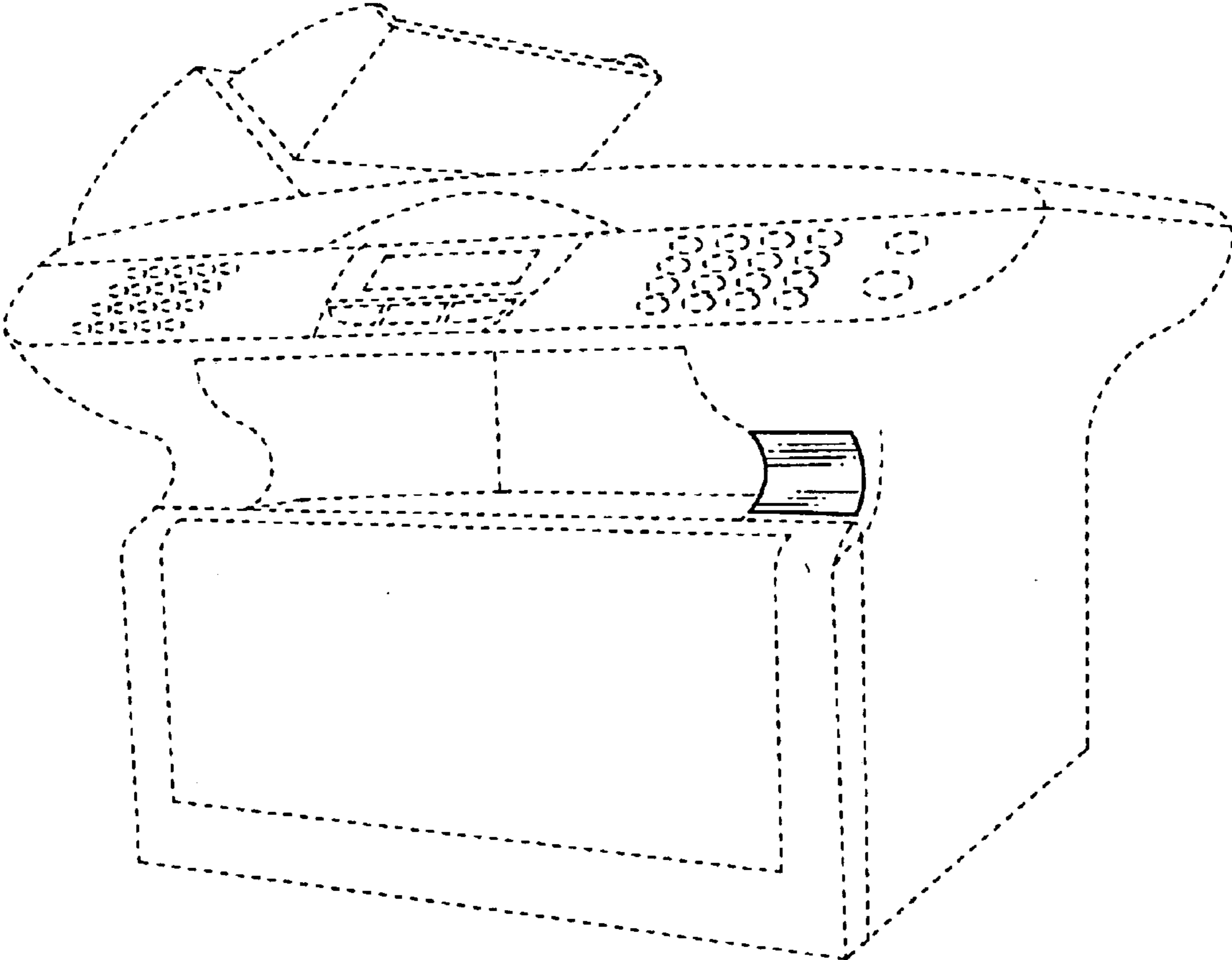


Fig. 1

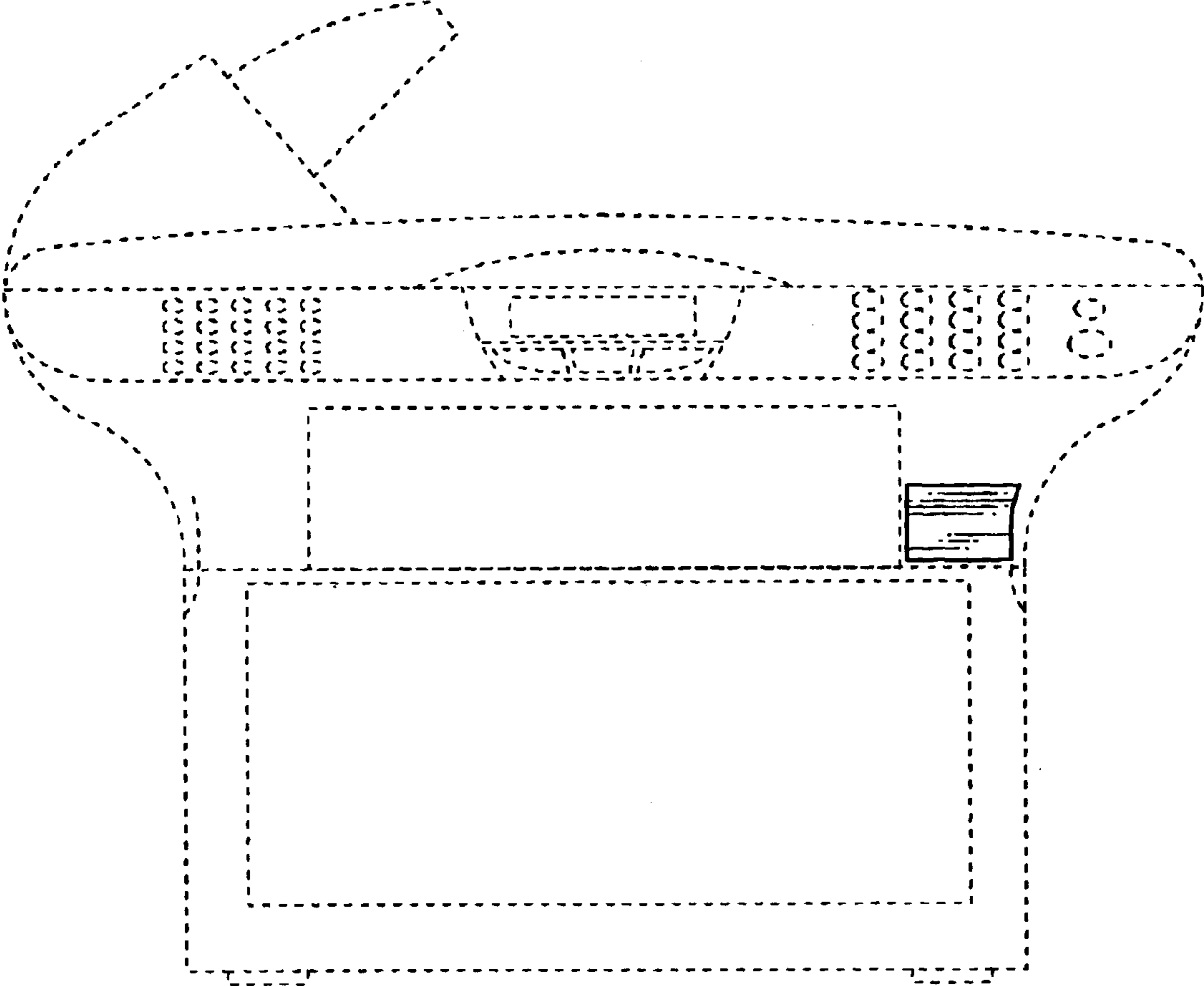


Fig. 2

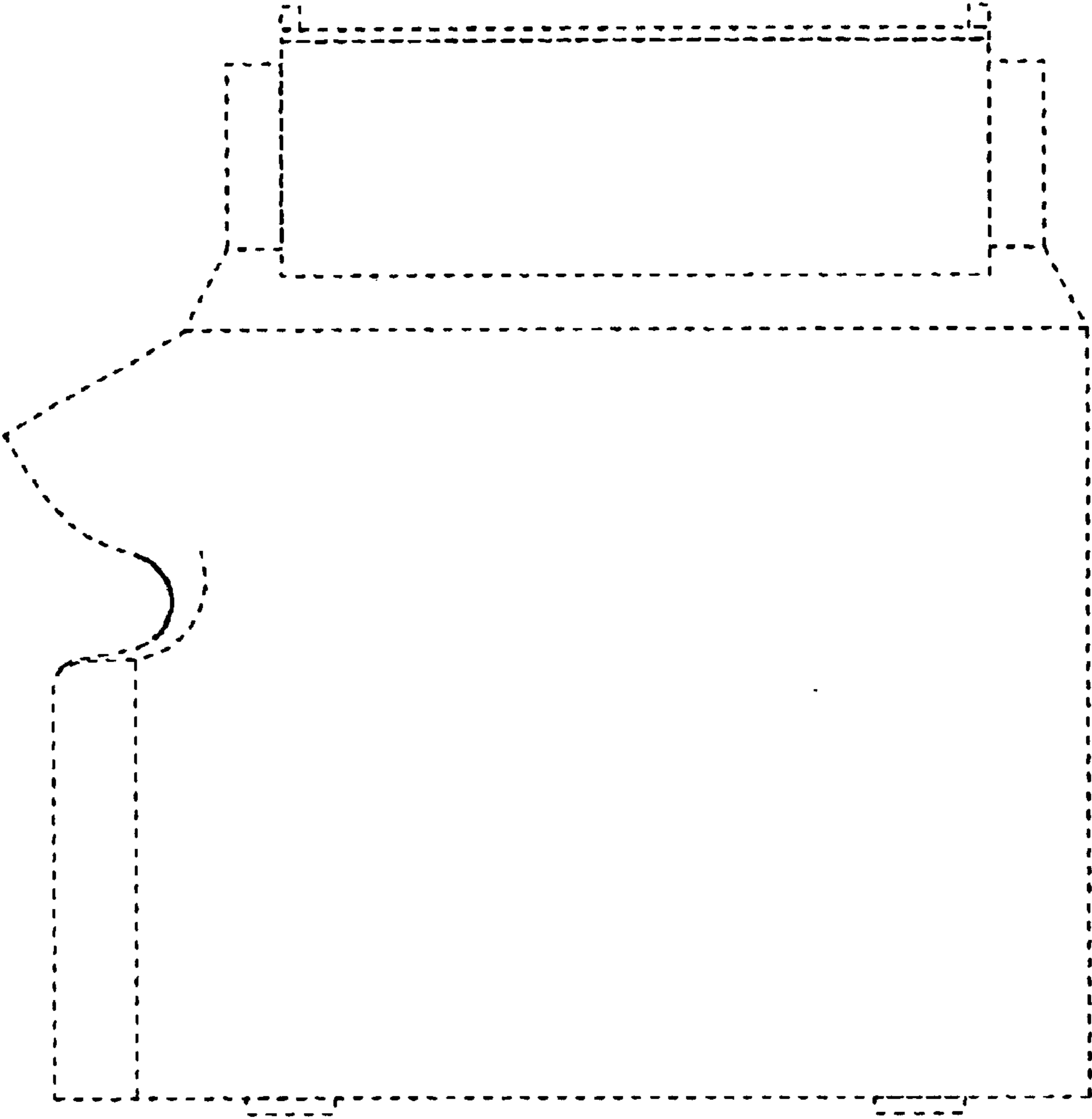


Fig. 3