

US00D492342S1

(12) **United States Design Patent**
Kamijima et al.

(10) **Patent No.: US D492,342 S**
(45) **Date of Patent: ** Jun. 29, 2004**

(54) **DRUM TRIGGER**

FOREIGN PATENT DOCUMENTS

(75) Inventors: **Yuujiro Kamijima**, Inase-gun (JP);
Kiyoshi Yoshino, Hamamatsu (JP);
Akihiko Fukuoka, Tenryuu (JP)

JP 2003-173186 6/2003

OTHER PUBLICATIONS

(73) Assignee: **Roland Corporation**, Osaka (JP)

20 Pages of machine translation of JP2003-173186 obtained from Japanese Patent Office Website—document has been translated by computer and may not reflect the original filing completely.

(**) Term: **14 Years**

* cited by examiner

(21) Appl. No.: **29/174,285**

(22) Filed: **Jan. 15, 2003**

Primary Examiner—Ruth McInroy

(51) **LOC (7) Cl.** **17-04**

(74) *Attorney, Agent, or Firm*—Foley & Lardner LLP

(52) **U.S. Cl.** **D17/22; D17/20**

(57) **CLAIM**

(58) **Field of Search** D17/20-22, 99,
D17/9; 84/411 R, 723, 453, 318, 414, DIG. 12,
725, 600

We claim the ornamental design for a drum trigger, as shown and described.

DESCRIPTION

(56) **References Cited**

U.S. PATENT DOCUMENTS

D216,049 S	*	11/1969	Dreyer	D17/20
3,725,561 A	*	4/1973	Paul	84/726
D228,023 S	*	7/1973	Grauso	D17/22
D250,221 S	*	11/1978	Clark et al.	D8/363
D250,222 S	*	11/1978	Clark et al.	D8/363
D255,463 S	*	6/1980	Clark et al.	D17/22
5,036,742 A	*	8/1991	Youakim	84/411 R
D355,668 S	*	2/1995	Reagan	D17/21
5,449,964 A	*	9/1995	Snyder	310/330
5,583,307 A	*	12/1996	Tobia, Jr.	84/411 R
D405,460 S	*	2/1999	Tobia, Jr.	D17/22

FIG. 1 is a perspective view of a drum trigger showing our new design;

FIG. 2 is a top plan view thereof;

FIG. 3 is a front elevation view thereof;

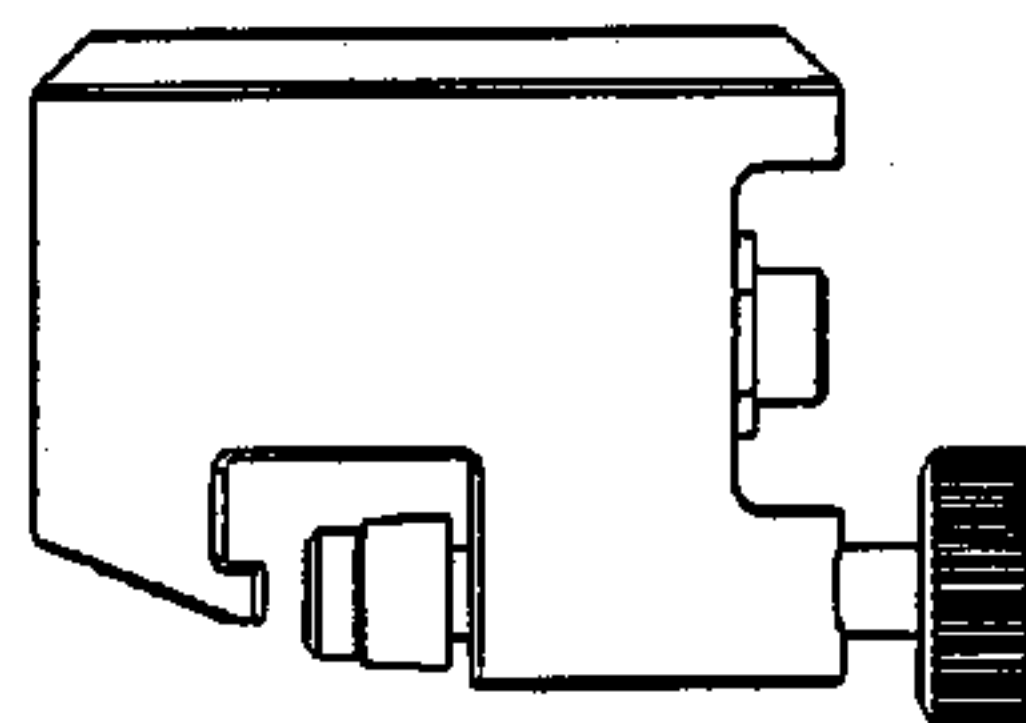
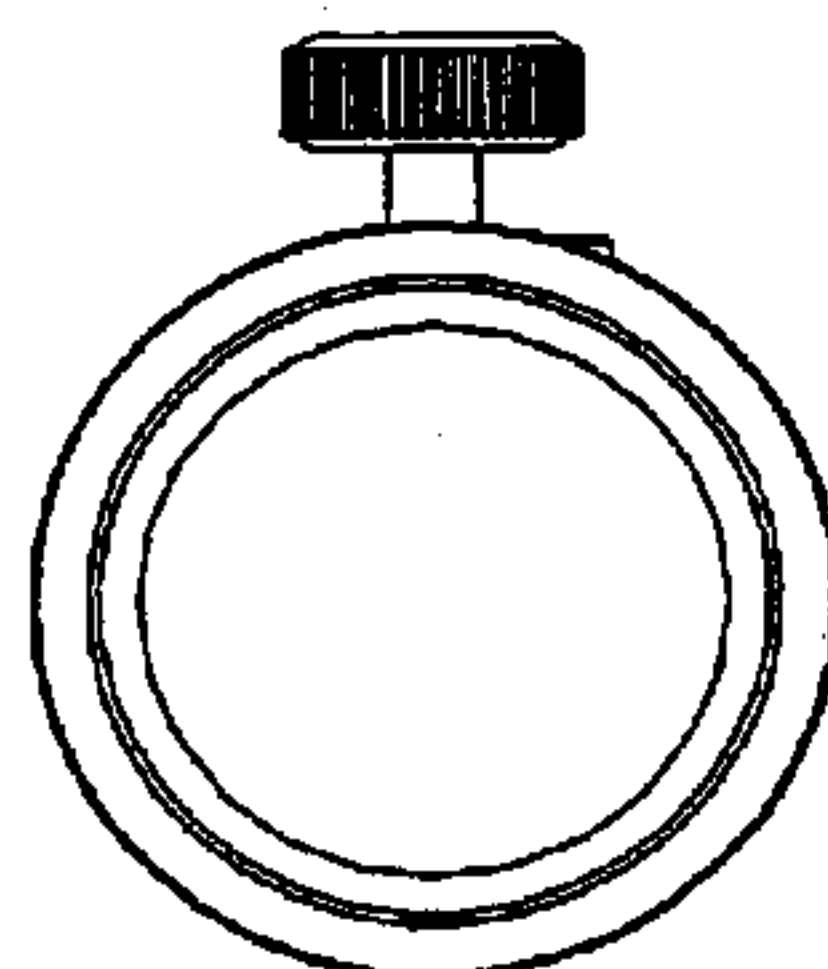
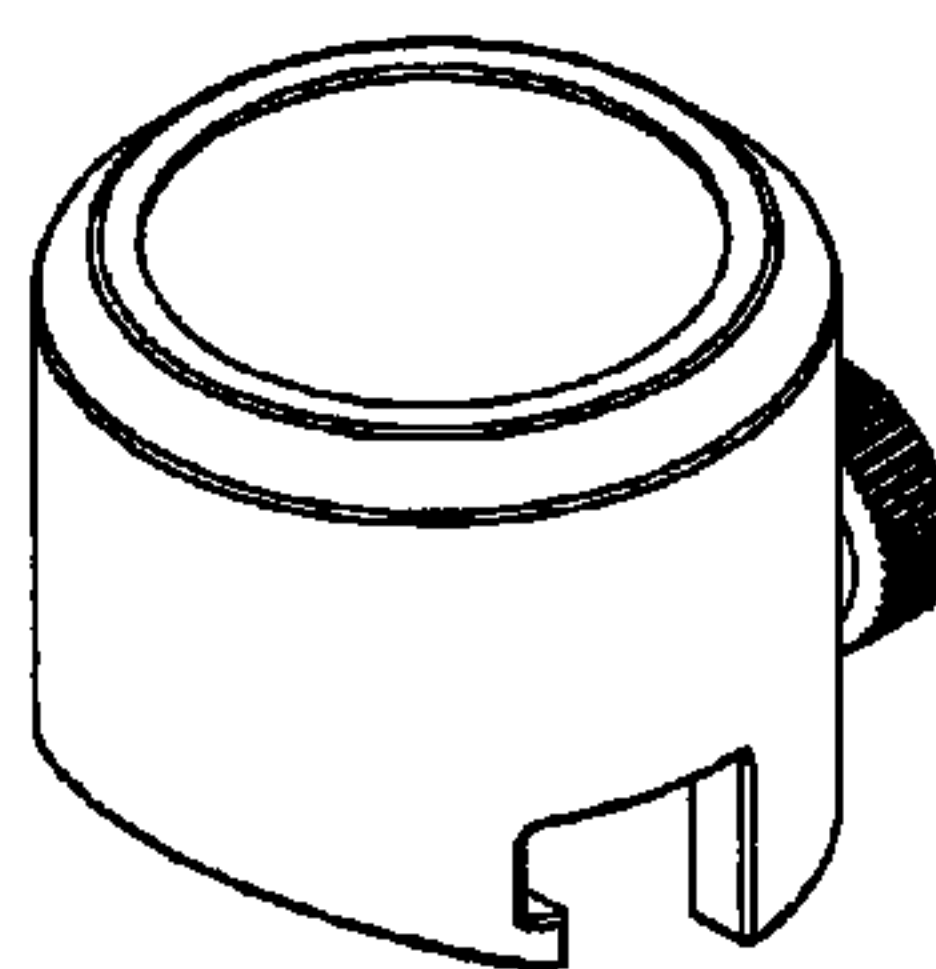
FIG. 4 is a rear elevation view thereof;

FIG. 5 is a bottom plan view thereof;

FIG. 6 is a side elevation view thereof; and,

FIG. 7 is a side elevation view of the opposite side of FIG. 6.

1 Claim, 7 Drawing Sheets



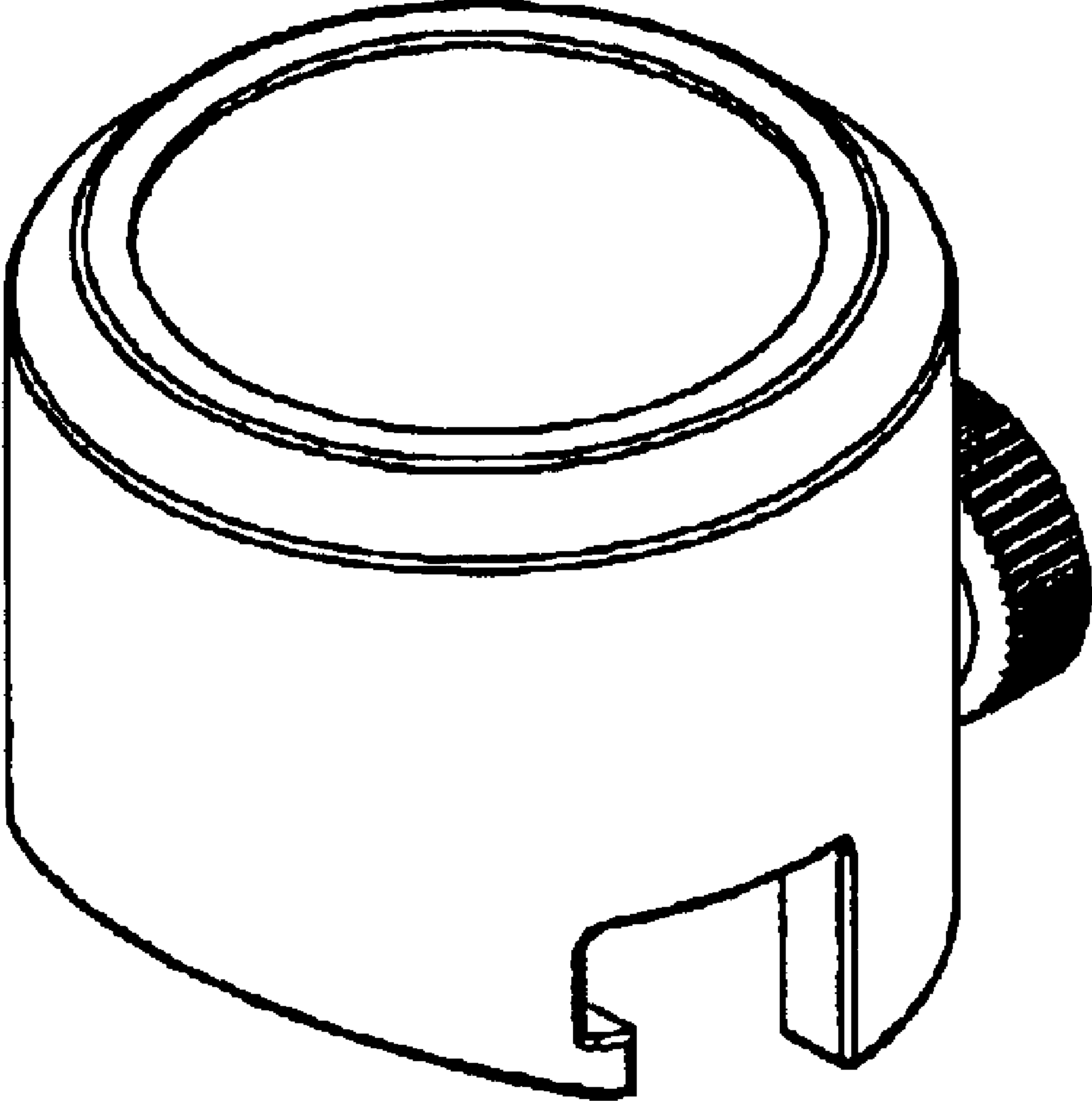


FIGURE 1

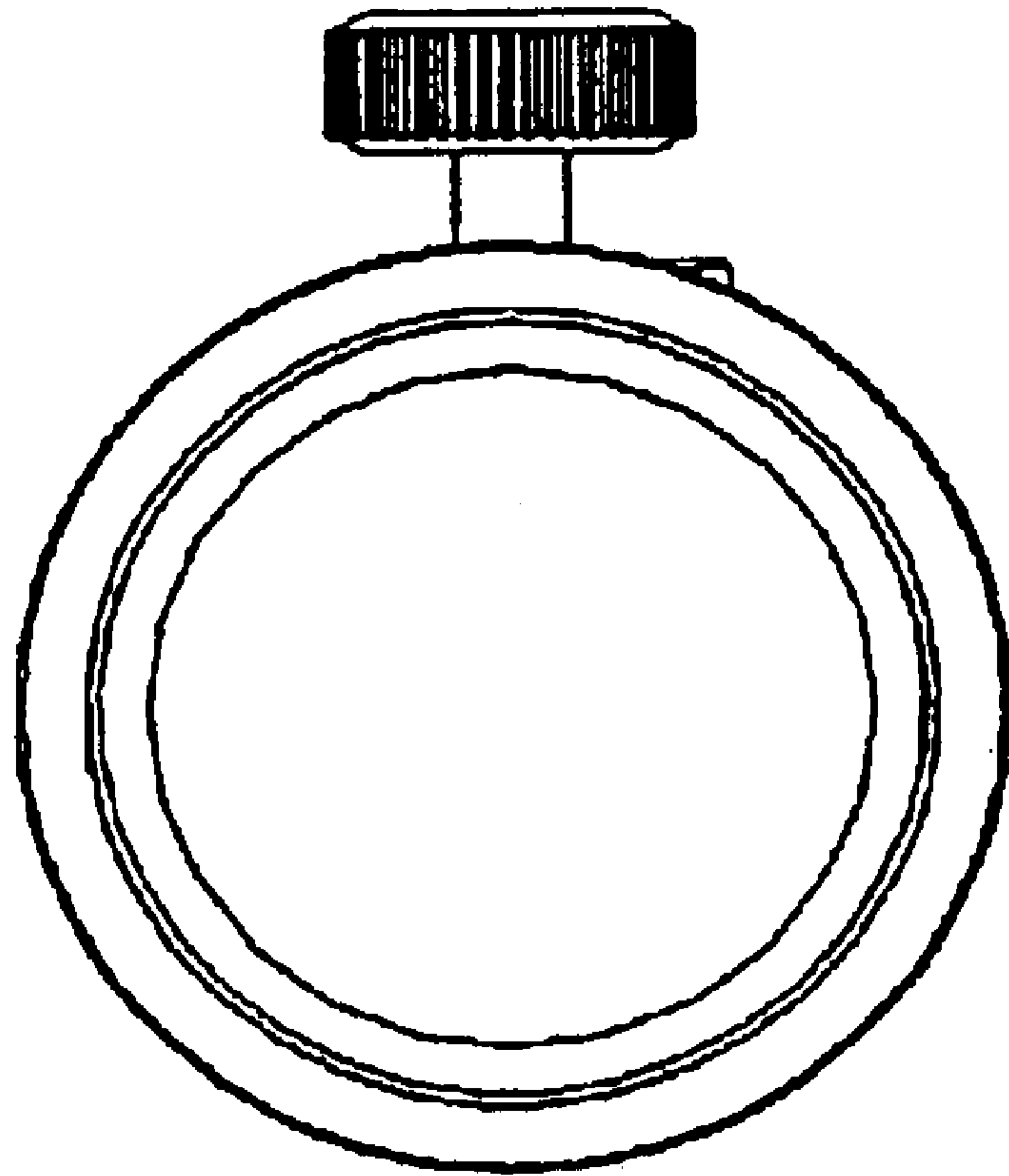


FIGURE 2

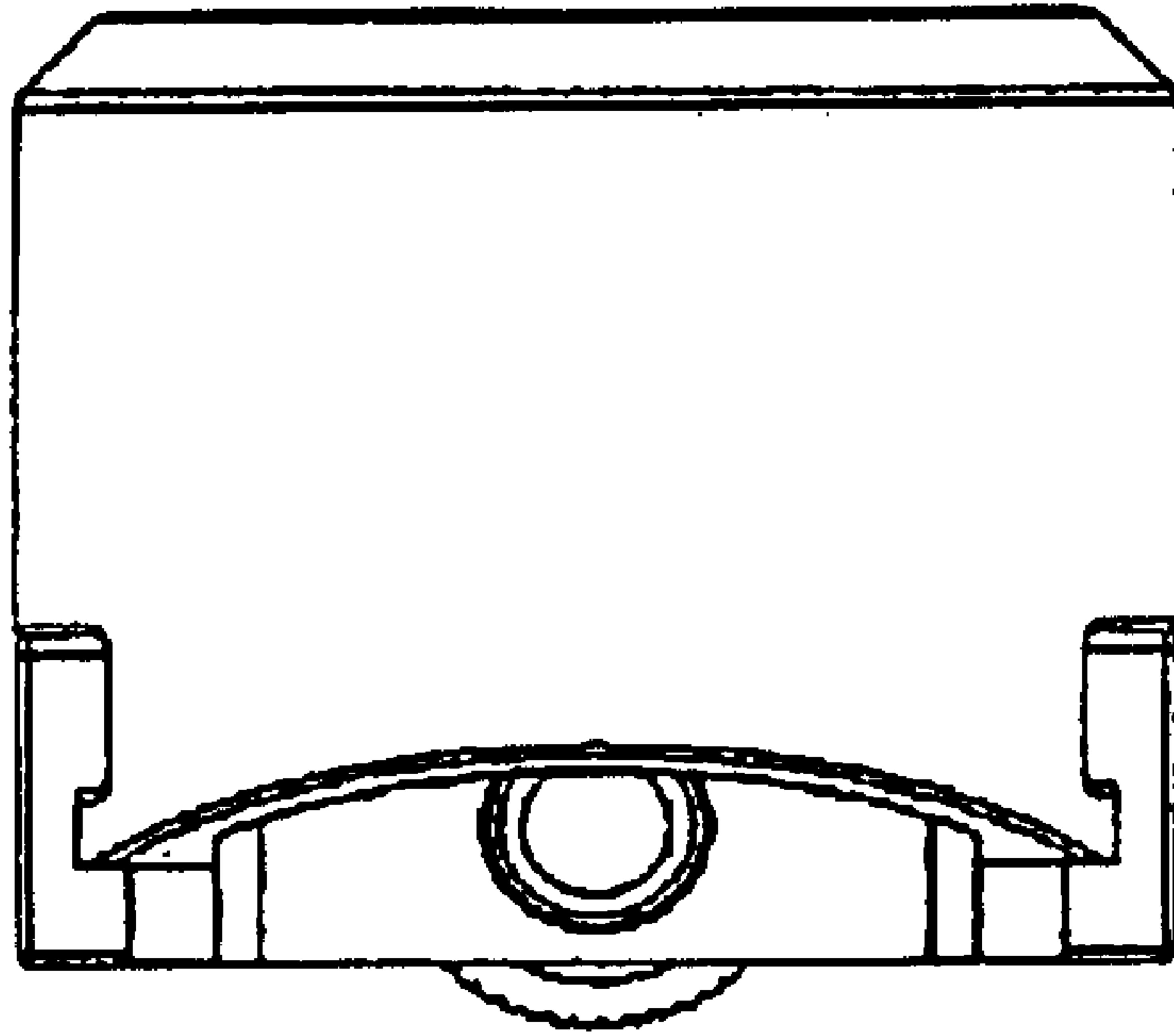


FIGURE 3

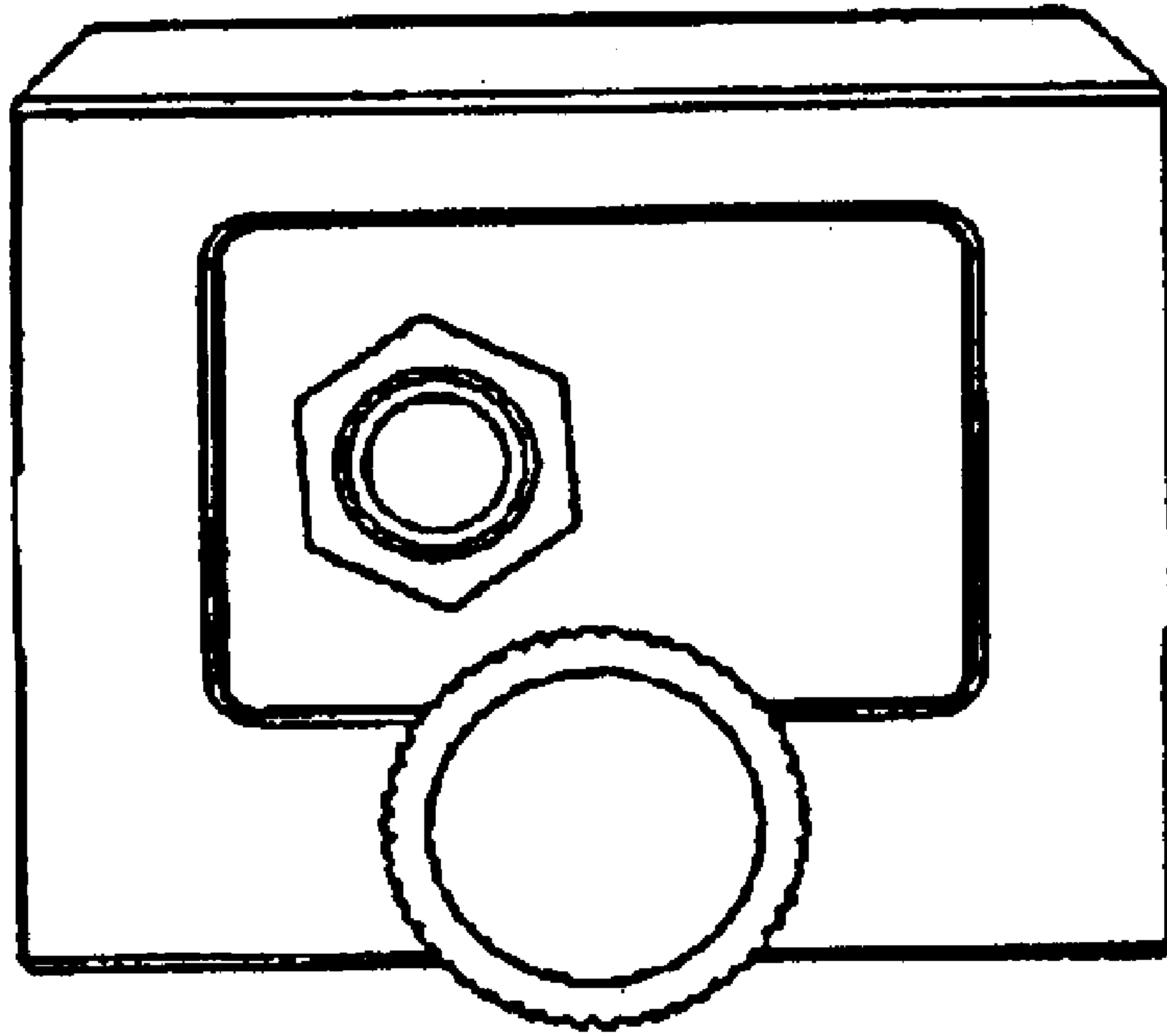


FIGURE 4

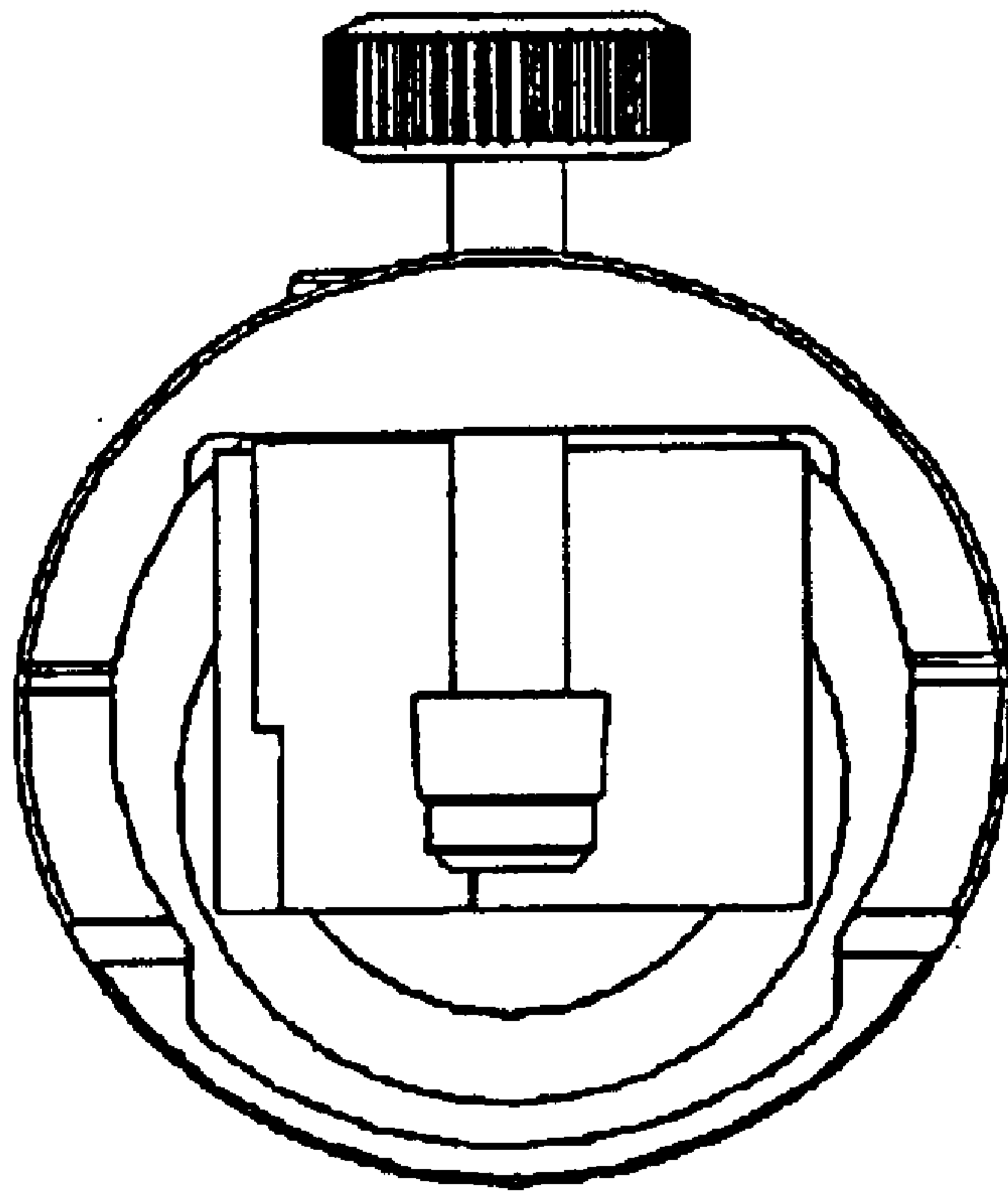


FIGURE 5

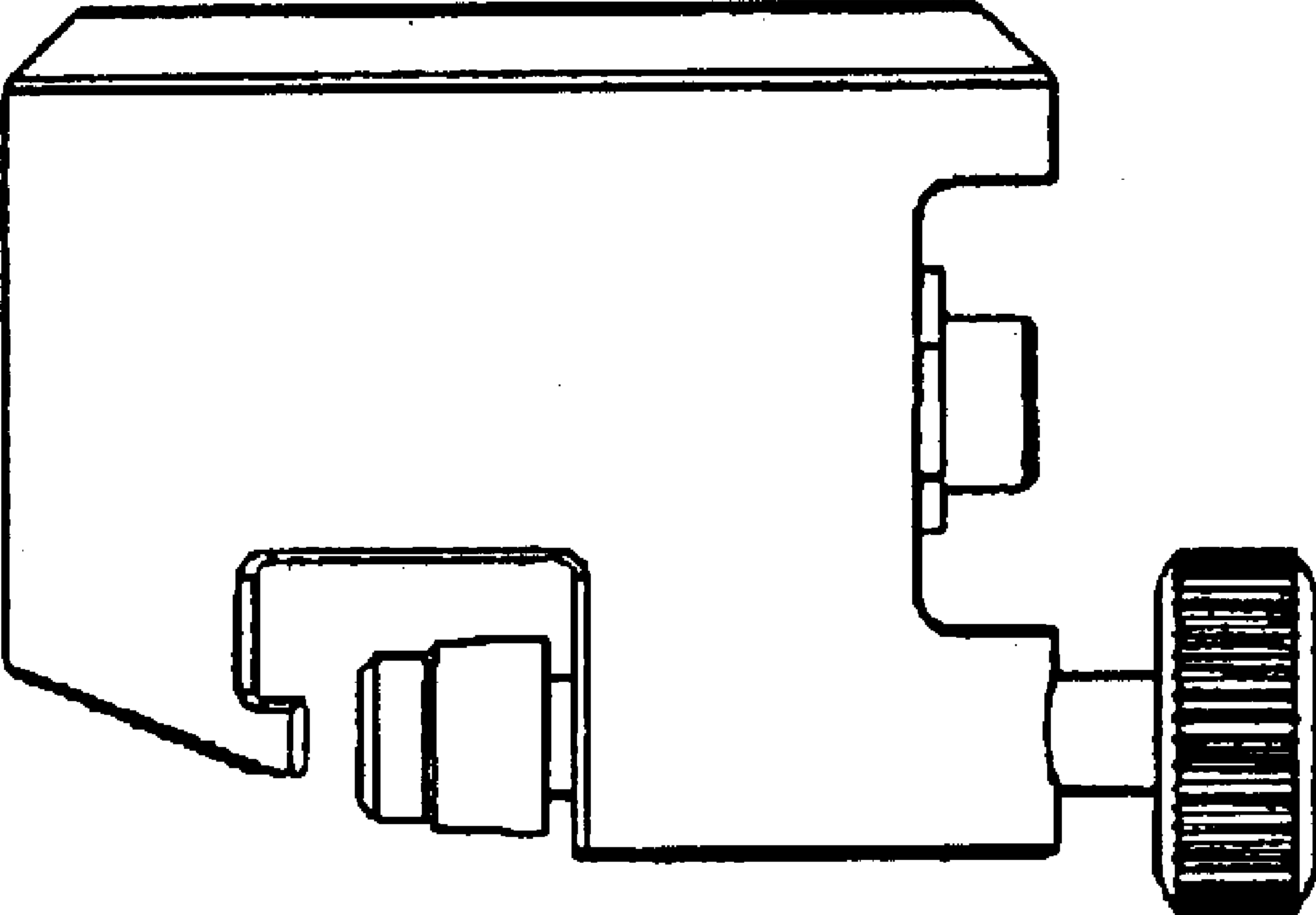


FIGURE 6

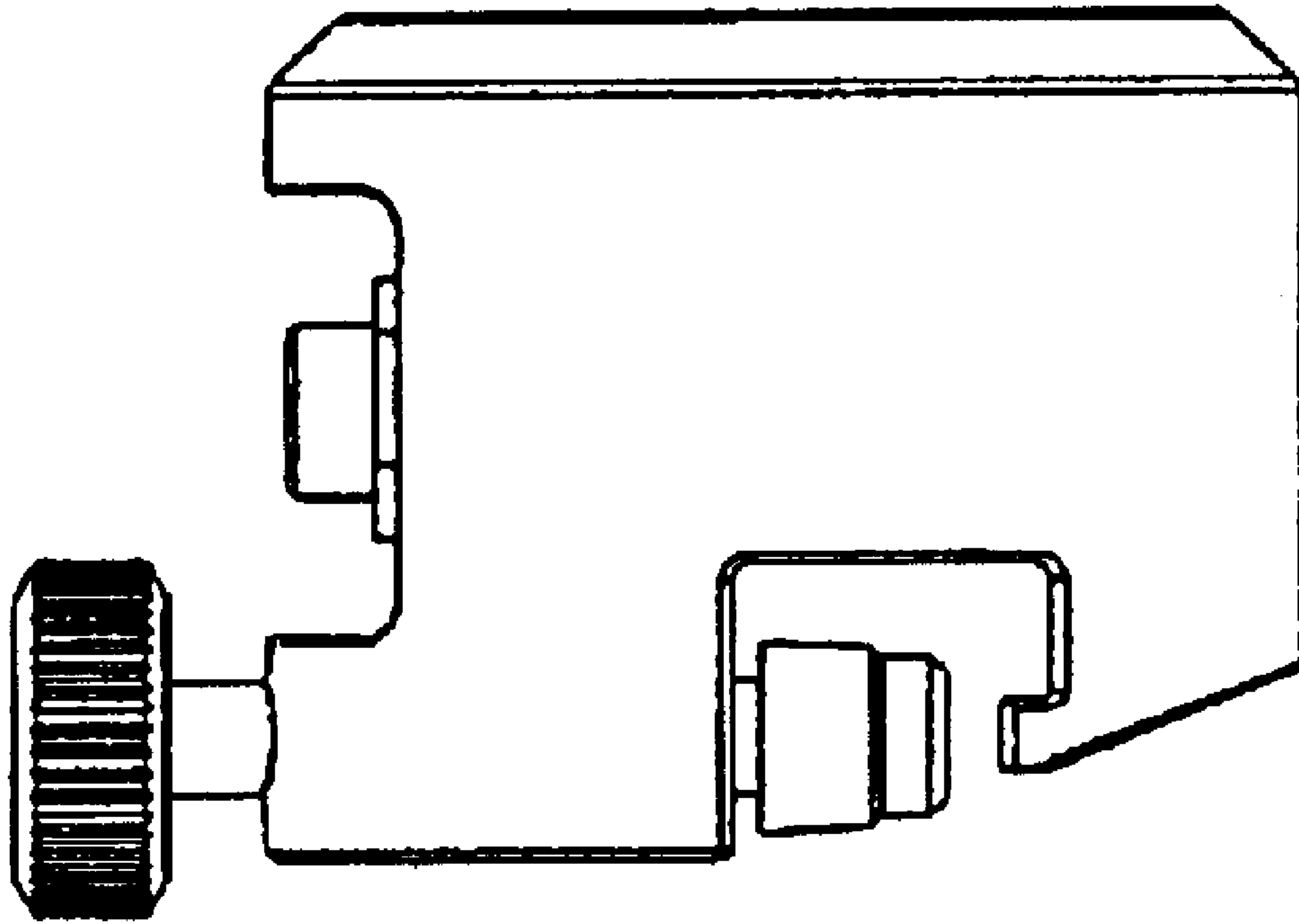


FIGURE 7