

US00D492339S1

(12) **United States Design Patent**
Niitsu

(10) **Patent No.:** **US D492,339 S**
(45) **Date of Patent:** **** Jun. 29, 2004**

(54) **PROJECTOR**

(75) Inventor: **Takuya Niitsu, Tokyo (JP)**
(73) Assignee: **Sony Corporation, Tokyo (JP)**
(**) Term: **14 Years**

(21) Appl. No.: **29/187,859**
(22) Filed: **Aug. 11, 2003**

(51) **LOC (7) Cl.** **16-02**
(52) **U.S. Cl.** **D16/230; D16/225**
(58) **Field of Search** **D16/205, 208,**
D16/213, 221, 225, 230, 231, 234; D21/514;
353/115, 119, 122

(56) **References Cited**

U.S. PATENT DOCUMENTS

D339,817 S * 9/1993 Fukuda et al. D16/230
D414,794 S * 10/1999 Isono D16/230
D420,031 S * 2/2000 Yamano D16/230
D450,077 S 11/2001 Isono
D473,252 S * 4/2003 Shimamoto et al. D16/231
6,616,282 B2 * 9/2003 Ozawa 353/119

FOREIGN PATENT DOCUMENTS

JP 1072776 * 5/2000

OTHER PUBLICATIONS

Web page "VPL-FX51" <http://www.sony.jp/products/Consumer/Peripheral/LCDP/VPL-FX51/>, 1 sheet, Sony (Jun. 2003).
Web page "VPL-HS2" <http://www.sony.jp/products/Consumer/peripheral/Projector/VPL-HS2/>, 1 sheet, Sony (Jun. 2003).

* cited by examiner

Primary Examiner—Adir Aronovich
(74) *Attorney, Agent, or Firm*—Rader, Fishman & Grauer PLLC

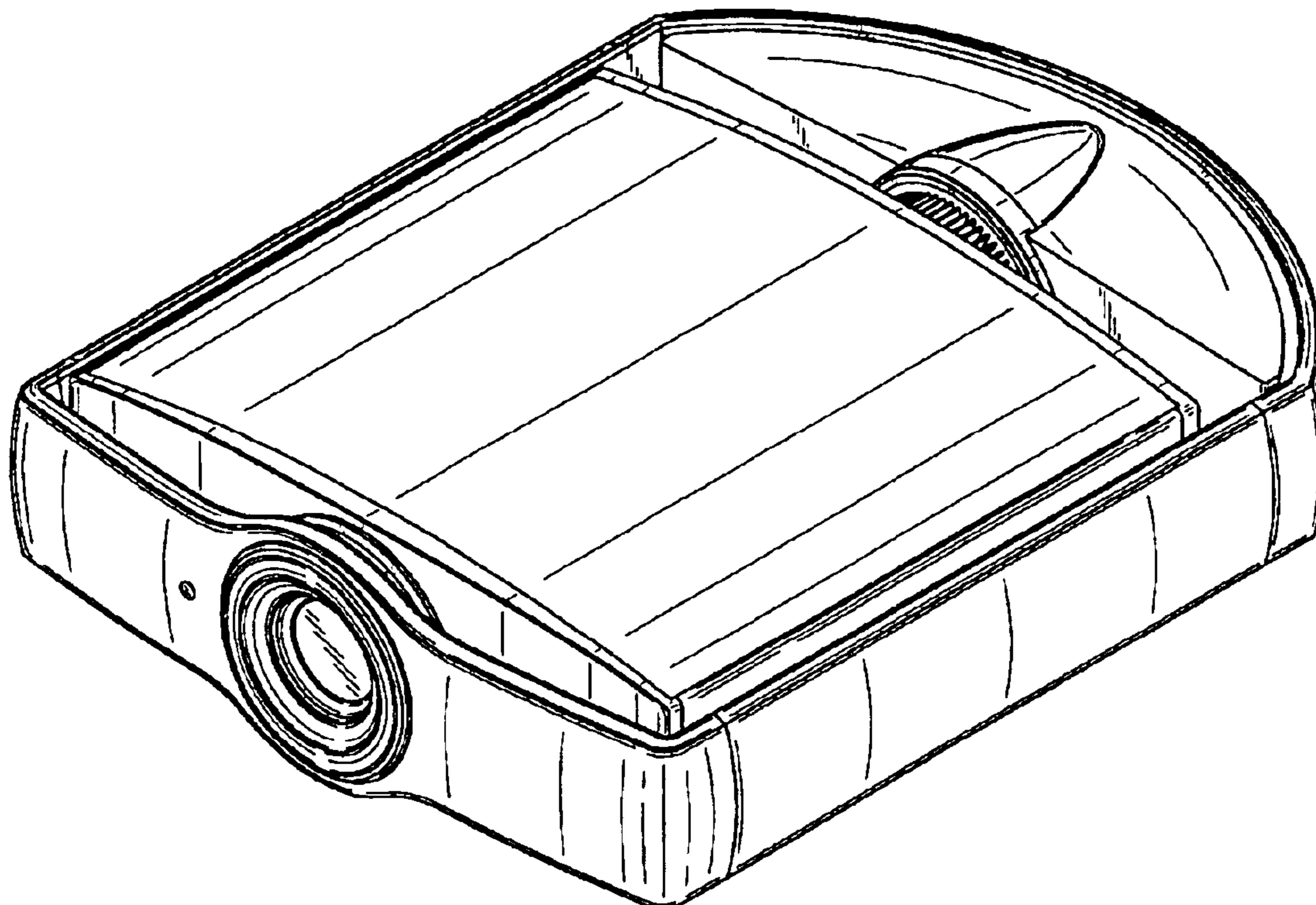
(57) **CLAIM**

The ornamental design for a projector, as shown.

DESCRIPTION

FIG. 1 is a perspective view of a projector showing my new design;
FIG. 2 is a front elevational view thereof;
FIG. 3 is a rear elevational view thereof;
FIG. 4 is a left side elevational view thereof;
FIG. 5 is a right side elevational view thereof;
FIG. 6 is a top plan view thereof; and,
FIG. 7 is a bottom plan view thereof.

1 Claim, 4 Drawing Sheets



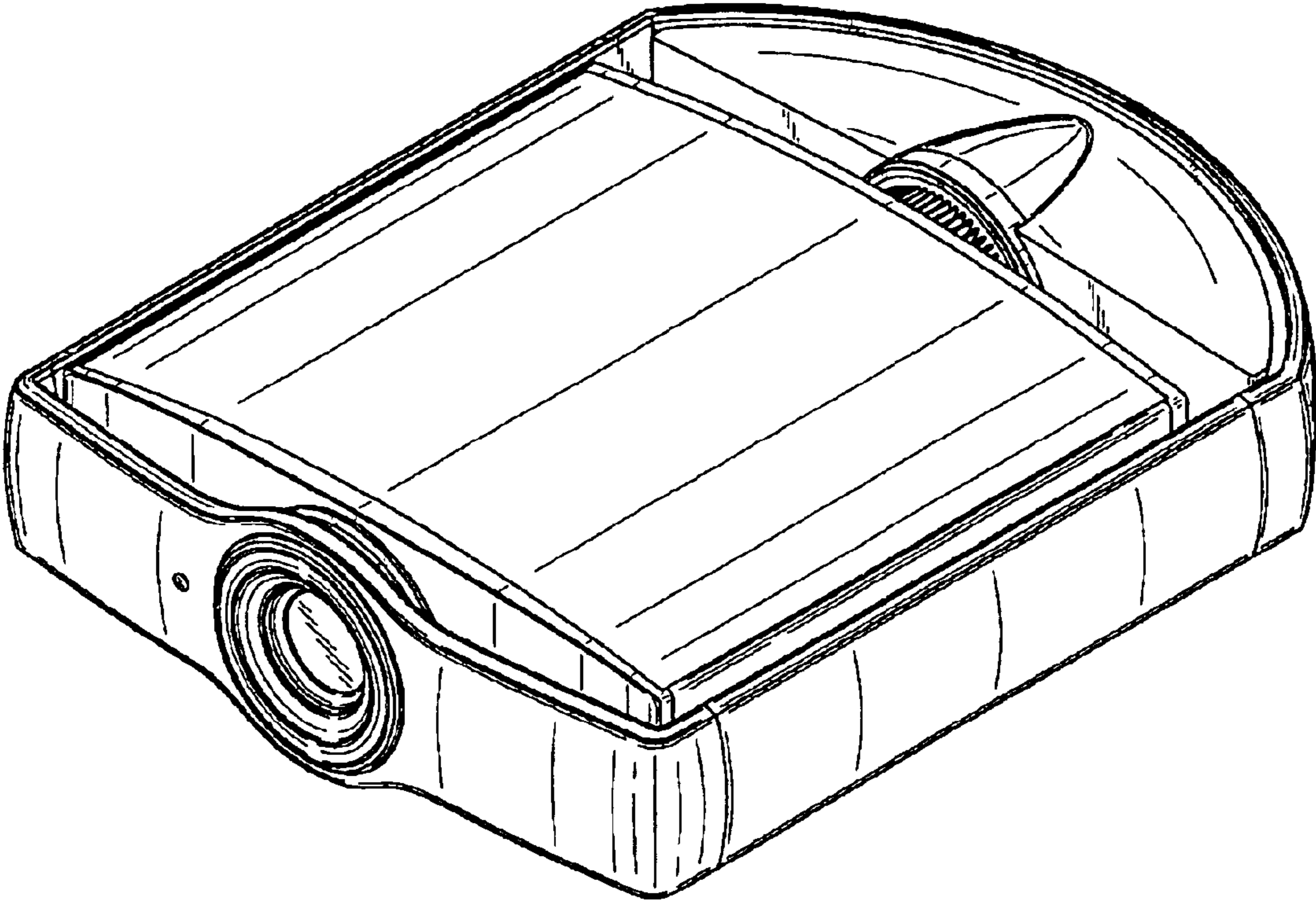


FIG. 1

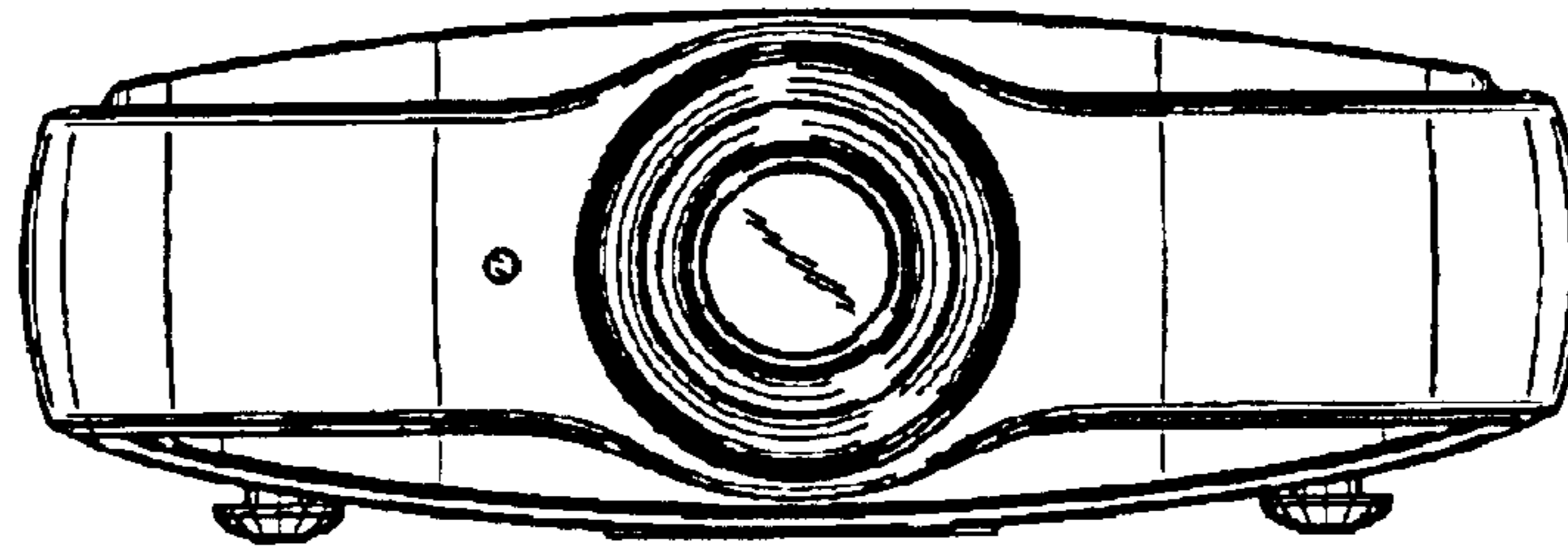


FIG. 2

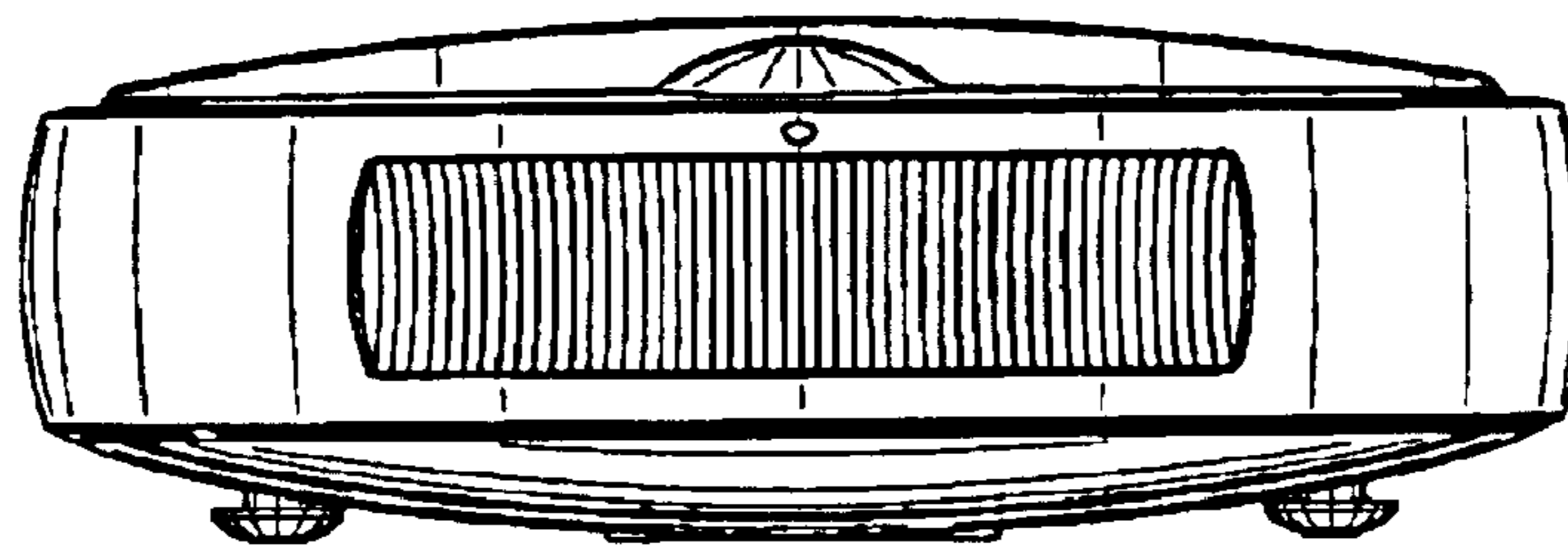


FIG. 3

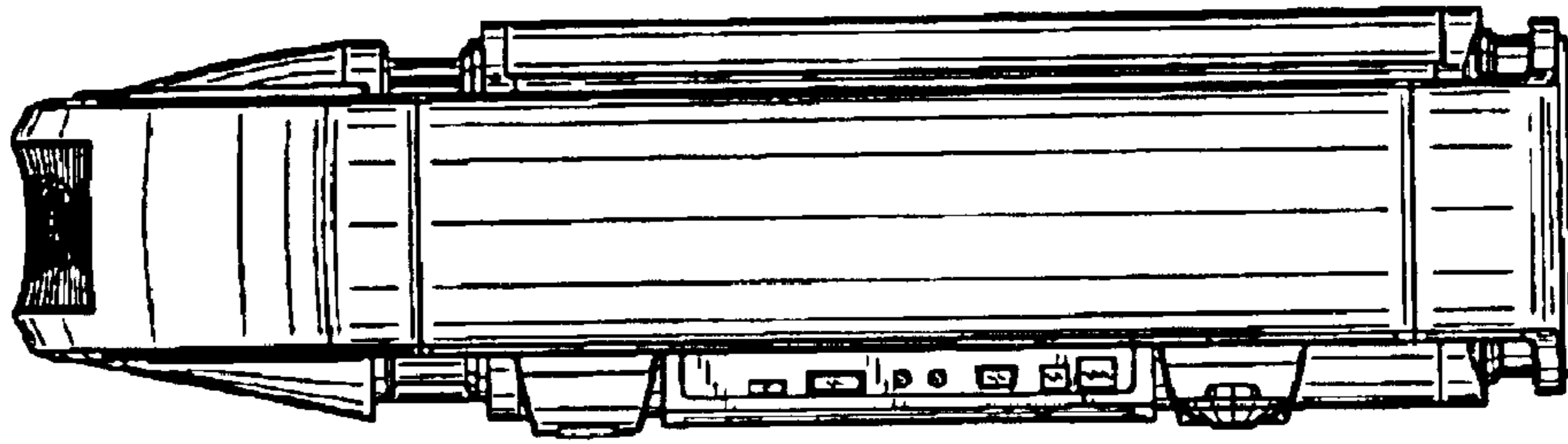


FIG. 4

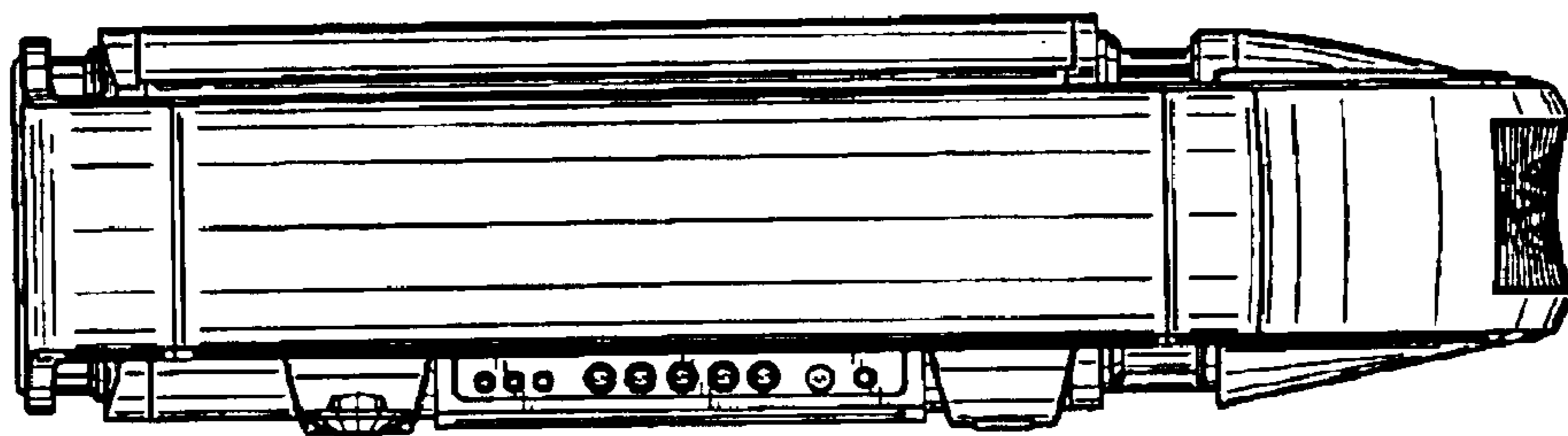


FIG. 5

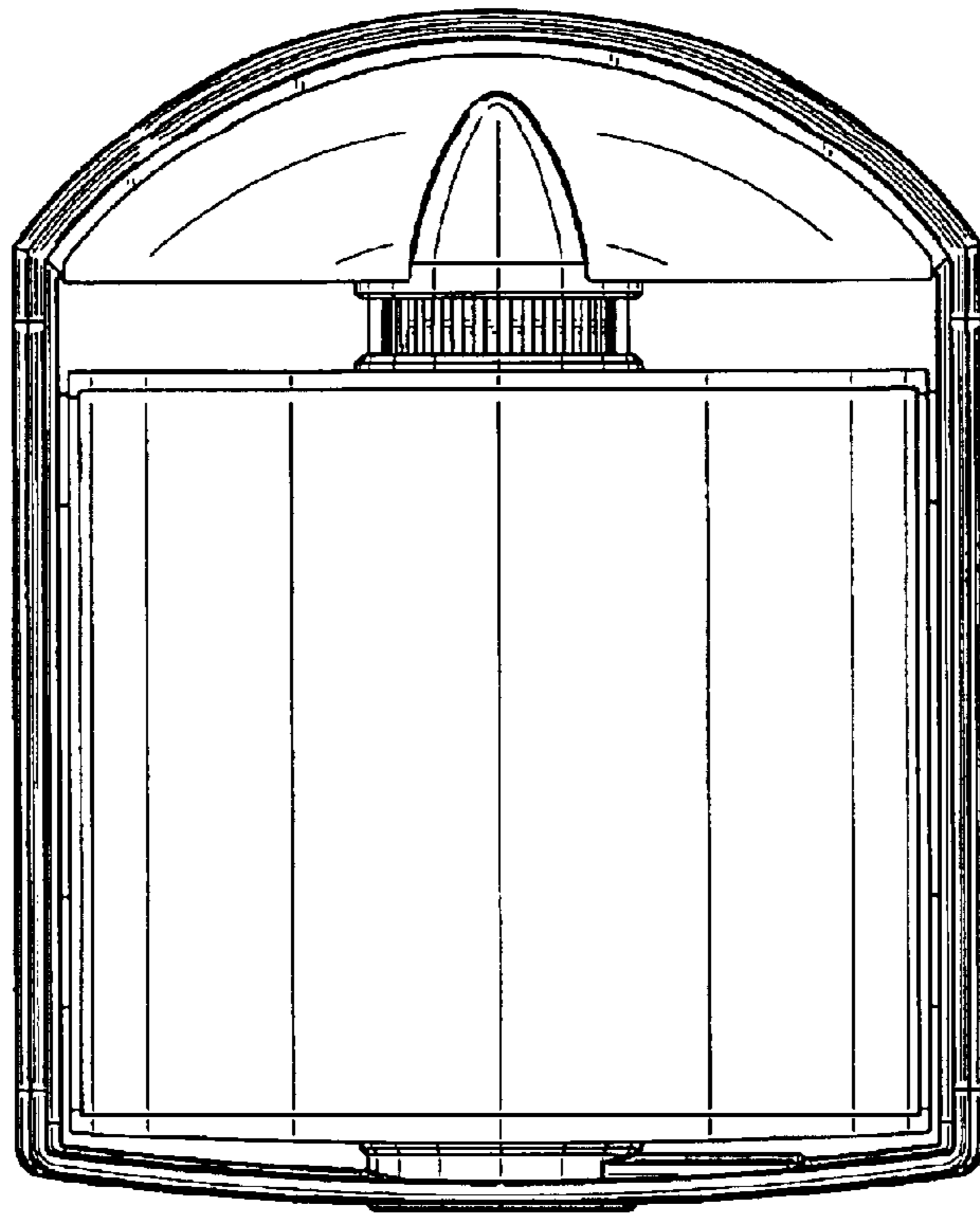


FIG. 6

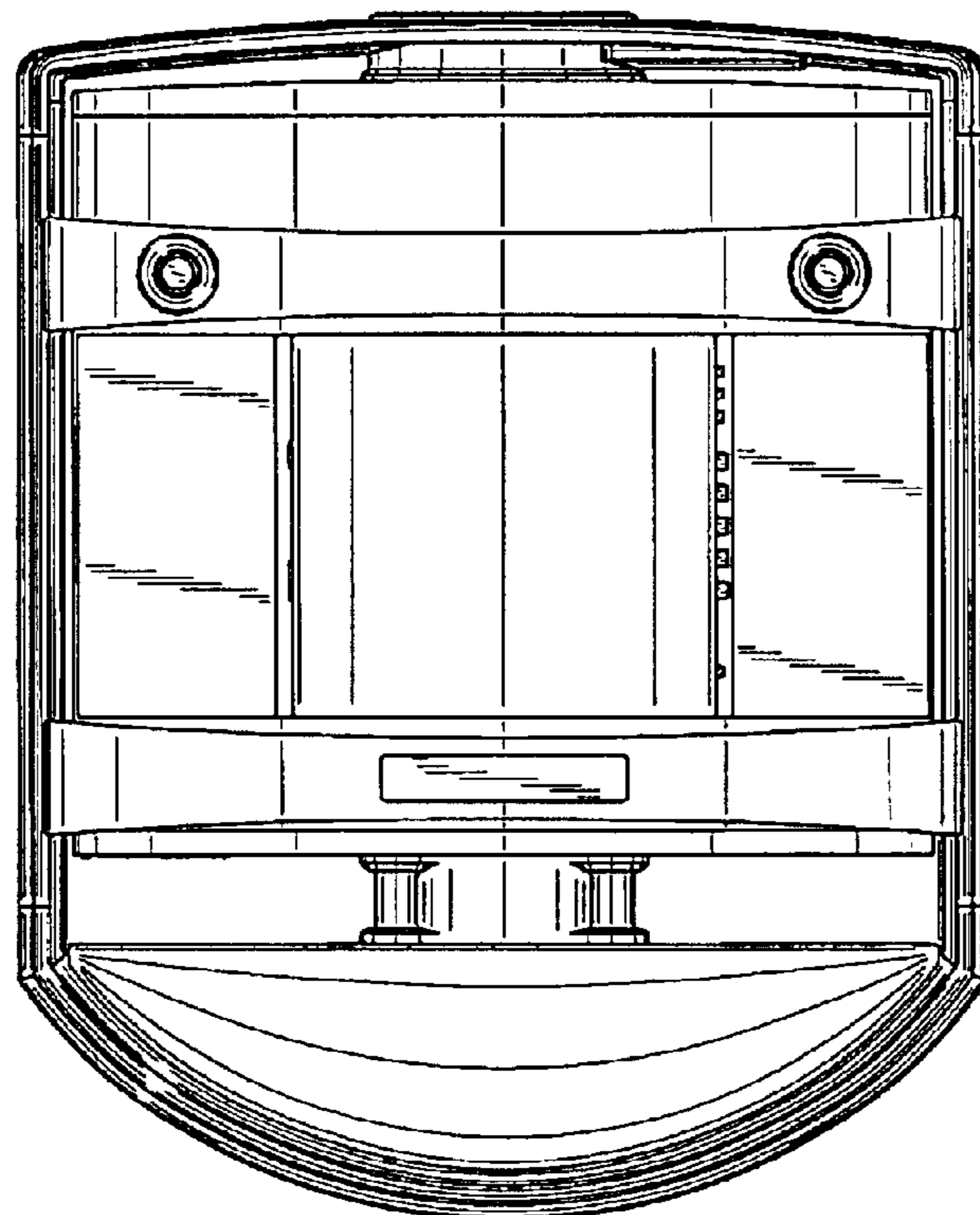


FIG. 7